



US00D777589S

(12) **United States Design Patent**
Wojciechowski et al.

(10) **Patent No.:** **US D777,589 S**
(45) **Date of Patent:** **** Jan. 31, 2017**

(54) **TORPEDO LEVEL**

D582,302 S * 12/2008 Johnson et al. D10/69

(71) Applicant: **Johnson Level & Tool Mfg. Co., Inc.**,
Mequon, WI (US)

* cited by examiner

(72) Inventors: **Timothy J. Wojciechowski**, Hubertus,
WI (US); **William G. Johnson**,
Mequon, WI (US); **John Dwyer**,
Waukesha, WI (US)

Primary Examiner — Antoine D Davis

(74) *Attorney, Agent, or Firm* — Boyle Fredrickson, S.C.

(73) Assignee: **Johnson Level & Tool Mfg. Co., Inc.**,
Mequon, WI (US)

(57) **CLAIM**

The ornamental design of a torpedo level, as shown and described.

(**) Term: **14 Years**

DESCRIPTION

(21) Appl. No.: **29/509,351**

(22) Filed: **Nov. 17, 2014**

(51) **LOC (10) Cl.** **10-04**

(52) **U.S. Cl.**
USPC **D10/69**

(58) **Field of Classification Search**
USPC D10/69; 33/365, 366.11–366.27,
33/367–391

CPC G01C 9/00–9/36
See application file for complete search history.

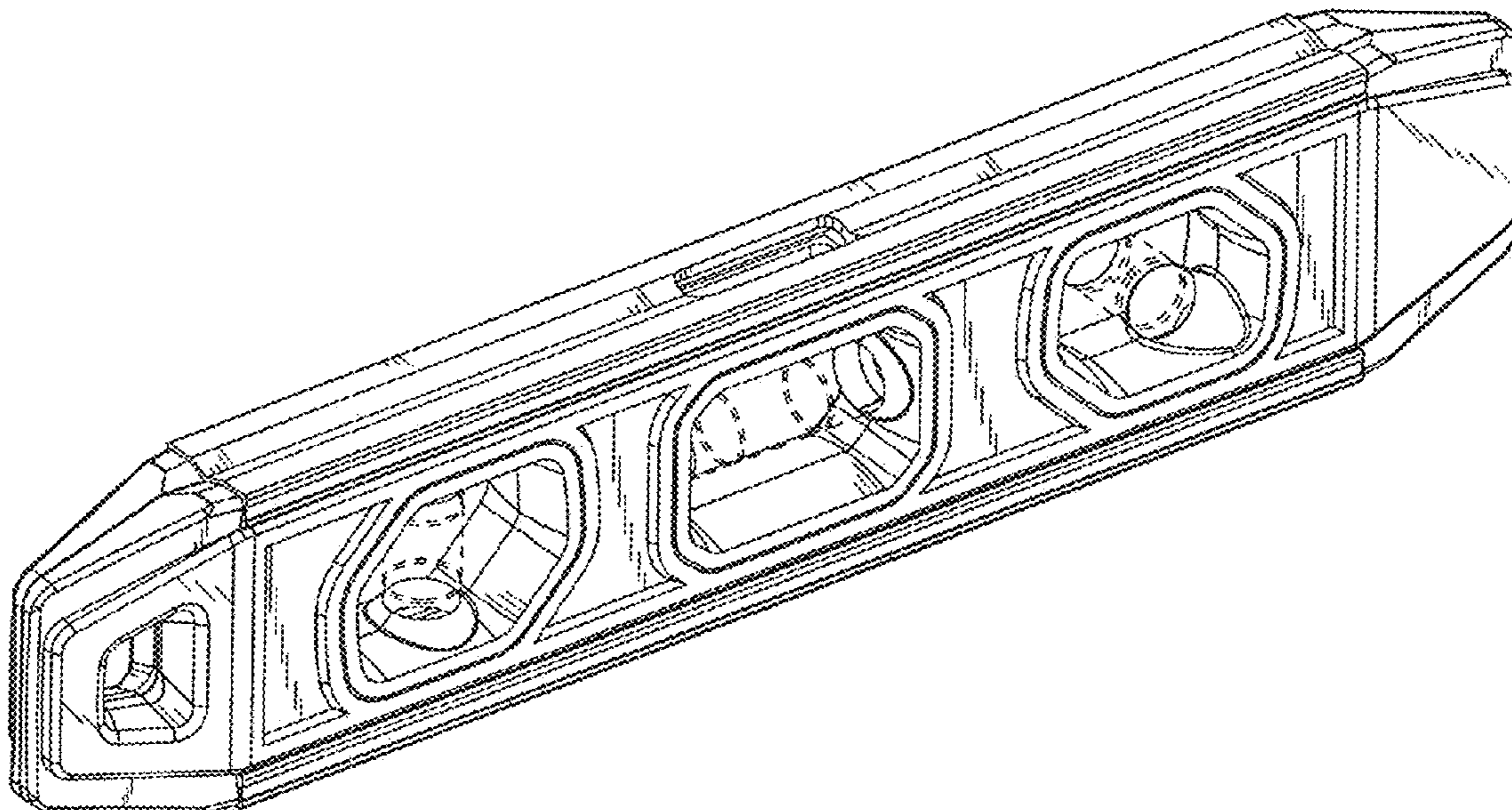
FIG. 1 is an isometric view of a first embodiment of a torpedo level incorporating our new design, wherein the portions in phantom form no part of the claimed design; FIG. 2 is a top plan view thereof; FIG. 3 is a bottom plan view thereof; FIG. 4 is a left side elevation view thereof; FIG. 5 is a right side elevation view thereof; FIGS. 6 and 7 are end elevation views thereof; FIG. 8 is an isometric view of a second embodiment of a torpedo level incorporating our new design, wherein the portions in phantom form no part of the claimed design; FIG. 9 is a top plan view thereof; FIG. 10 is a bottom plan view thereof; FIG. 11 is right side elevation view thereof; FIG. 12 is a left side elevation view thereof; and, FIGS. 13 and 14 are and elevation views thereof.

(56) **References Cited**

U.S. PATENT DOCUMENTS

D355,134 S * 2/1995 Kennedy D10/69
D521,882 S * 5/2006 Kim D10/69

1 Claim, 8 Drawing Sheets



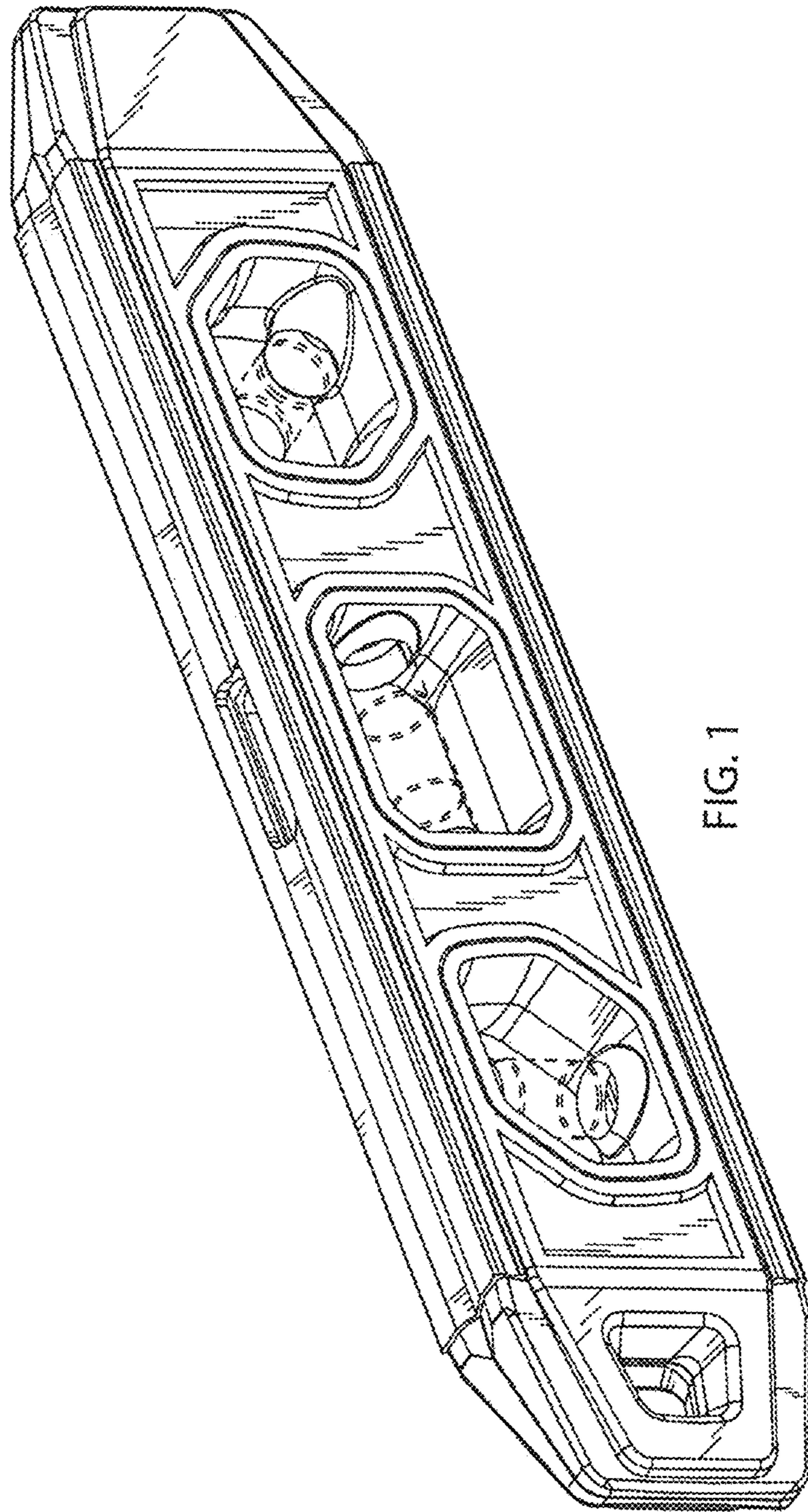


FIG. 1

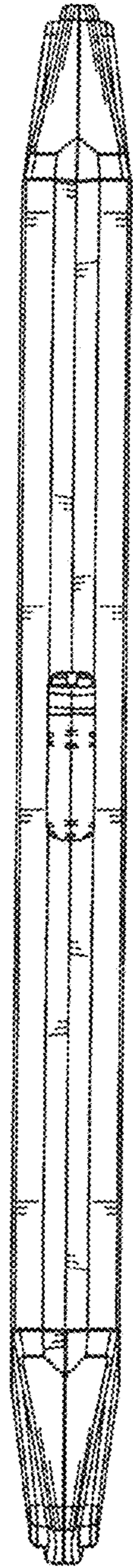


FIG. 2

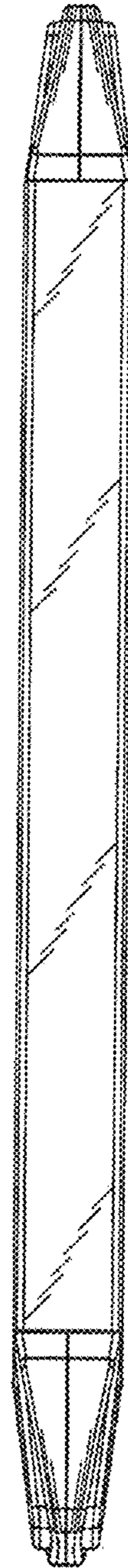


FIG. 3

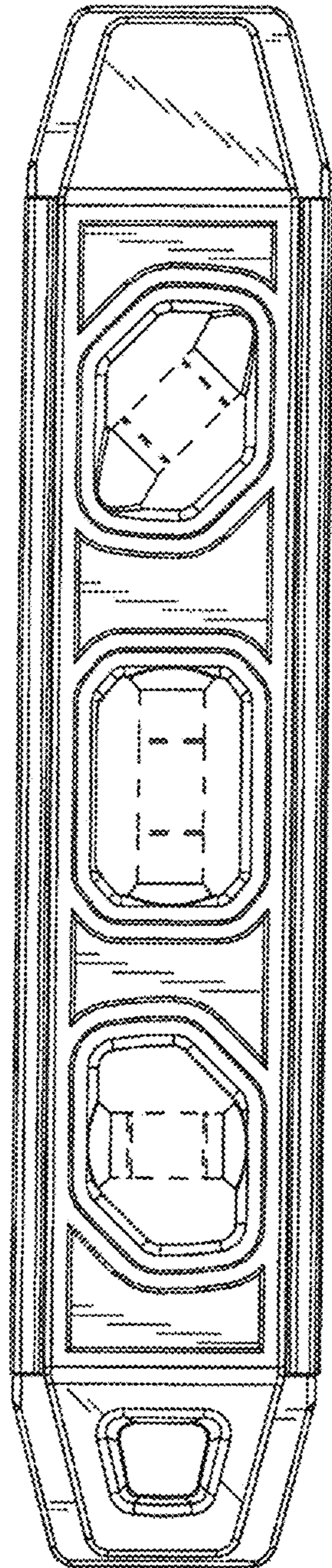


FIG. 4

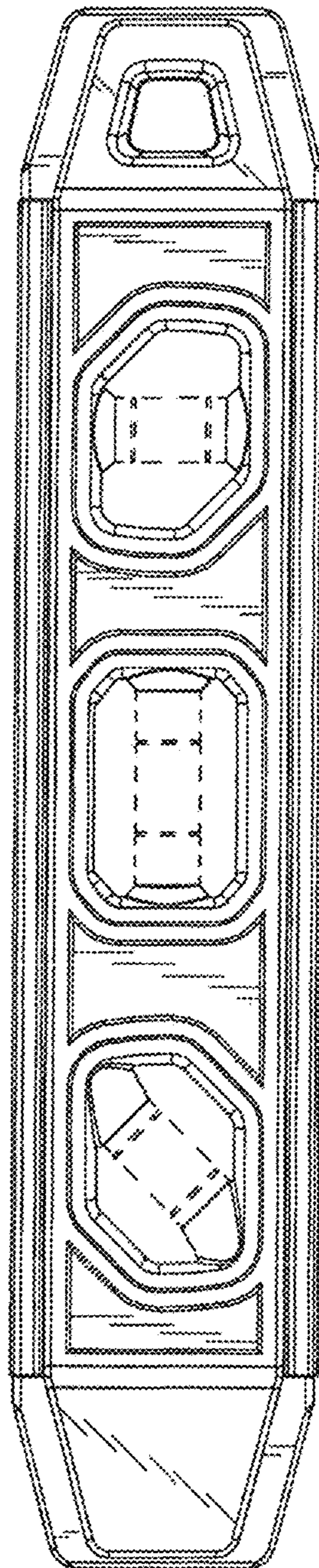


FIG. 5



FIG. 6

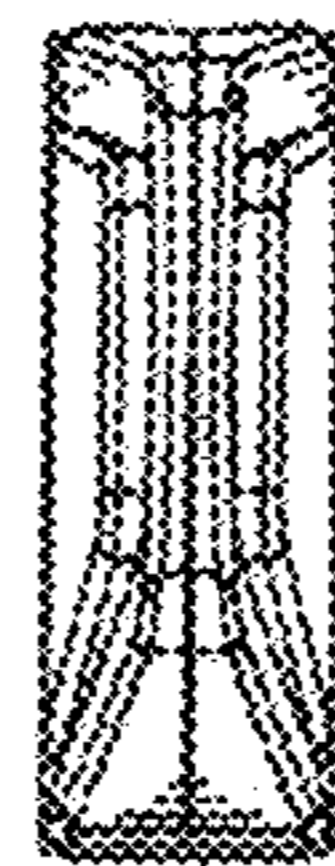


FIG. 7

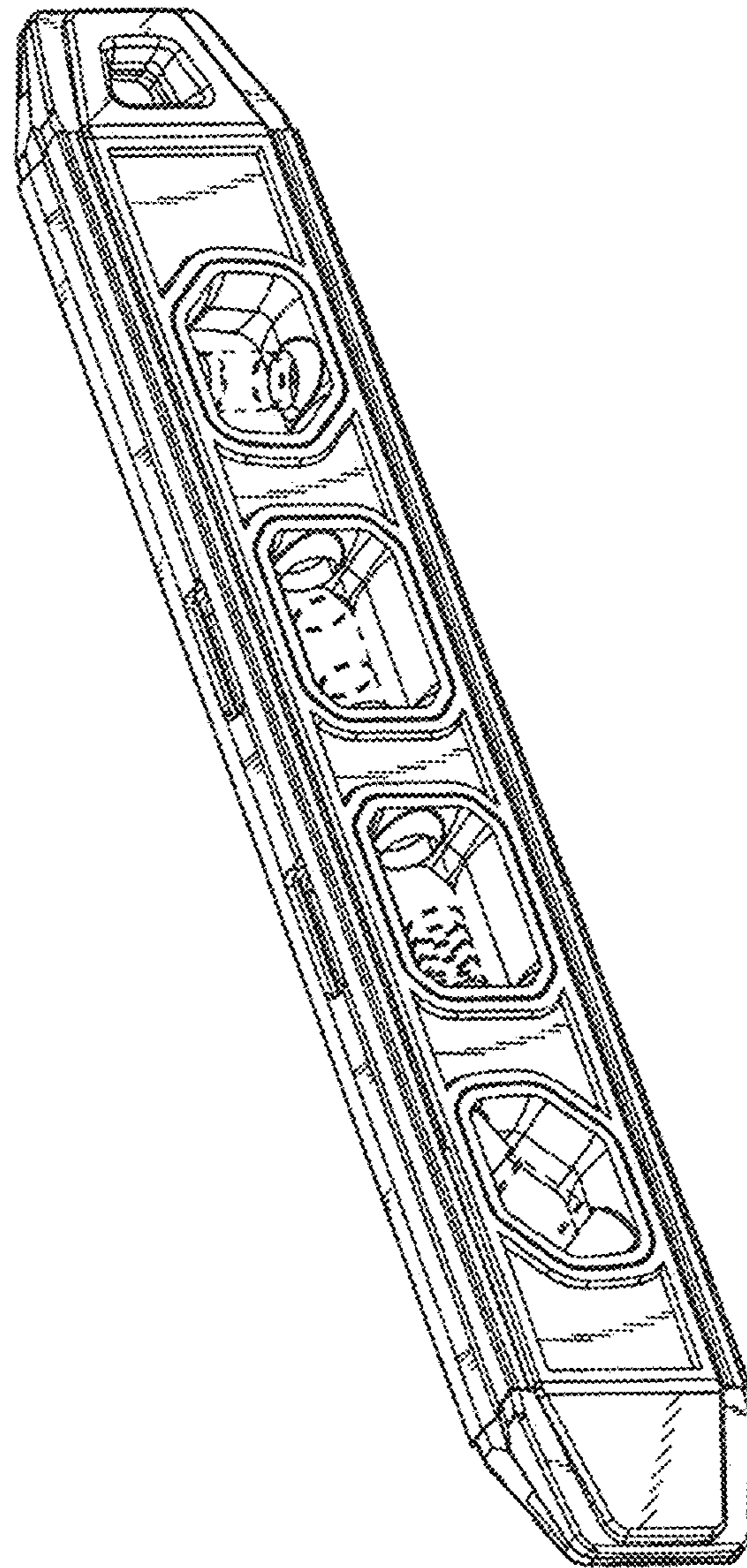


FIG. 8



FIG. 9



FIG. 10

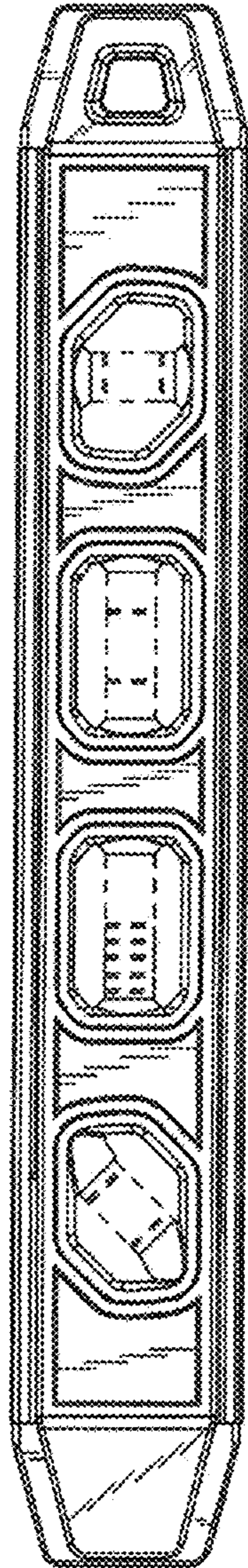


FIG. 11

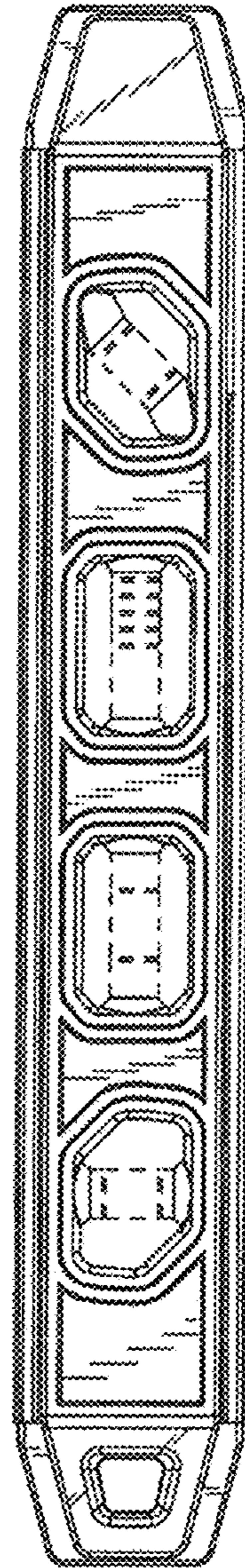


FIG. 12



FIG. 13



FIG. 14