



US00D777588S

(12) **United States Design Patent**  
**Aoki et al.**

(10) **Patent No.:** **US D777,588 S**  
(45) **Date of Patent:** **\*\* Jan. 31, 2017**

(54) **OPTICAL MEASURING THEODOLITE  
USING LIGHT WAVE**

(71) Applicant: **KABUSHIKI KAISHA TOPCON,**  
Tokyo (JP)

(72) Inventors: **Takeo Aoki,** Tokyo (JP); **Mitsuo Ishii,**  
Tokyo (JP)

(73) Assignee: **KABUSHIKI KAISHA TOPCON,**  
Tokyo (JP)

(\*\*) Term: **15 Years**

(21) Appl. No.: **29/540,766**

(22) Filed: **Sep. 28, 2015**

(30) **Foreign Application Priority Data**

Jun. 23, 2015 (JP) ..... 2015-013826

(51) **LOC (10) Cl.** ..... **10-04**

(52) **U.S. Cl.**  
USPC ..... **D10/66**

(58) **Field of Classification Search**  
USPC ..... D10/66  
CPC ..... G01C 1/00; G01C 1/02; G01C 1/04;  
G01C 1/06; G01C 1/08; G01C  
1/10; G01C 1/12; G01C 1/14

See application file for complete search history.

(56) **References Cited**

U.S. PATENT DOCUMENTS

D684,068 S \* 6/2013 Ishii ..... D10/66  
D684,069 S \* 6/2013 Ishii ..... D10/66  
8,897,482 B2 \* 11/2014 Mein ..... G01C 1/04  
382/100  
D723,953 S \* 3/2015 Ishii ..... D10/66

\* cited by examiner

*Primary Examiner* — Antoine D Davis

(74) *Attorney, Agent, or Firm* — Oliff PLC

(57) **CLAIM**

The ornamental design for an optical measuring theodolite using light wave, as shown and described.

**DESCRIPTION**

FIG. 1 is a front elevational view of the optical measuring theodolite using light wave;

FIG. 2 is a rear elevational view thereof;

FIG. 3 is a left-side elevational view thereof;

FIG. 4 is a right-side elevational view thereof;

FIG. 5 is a top plan view thereof;

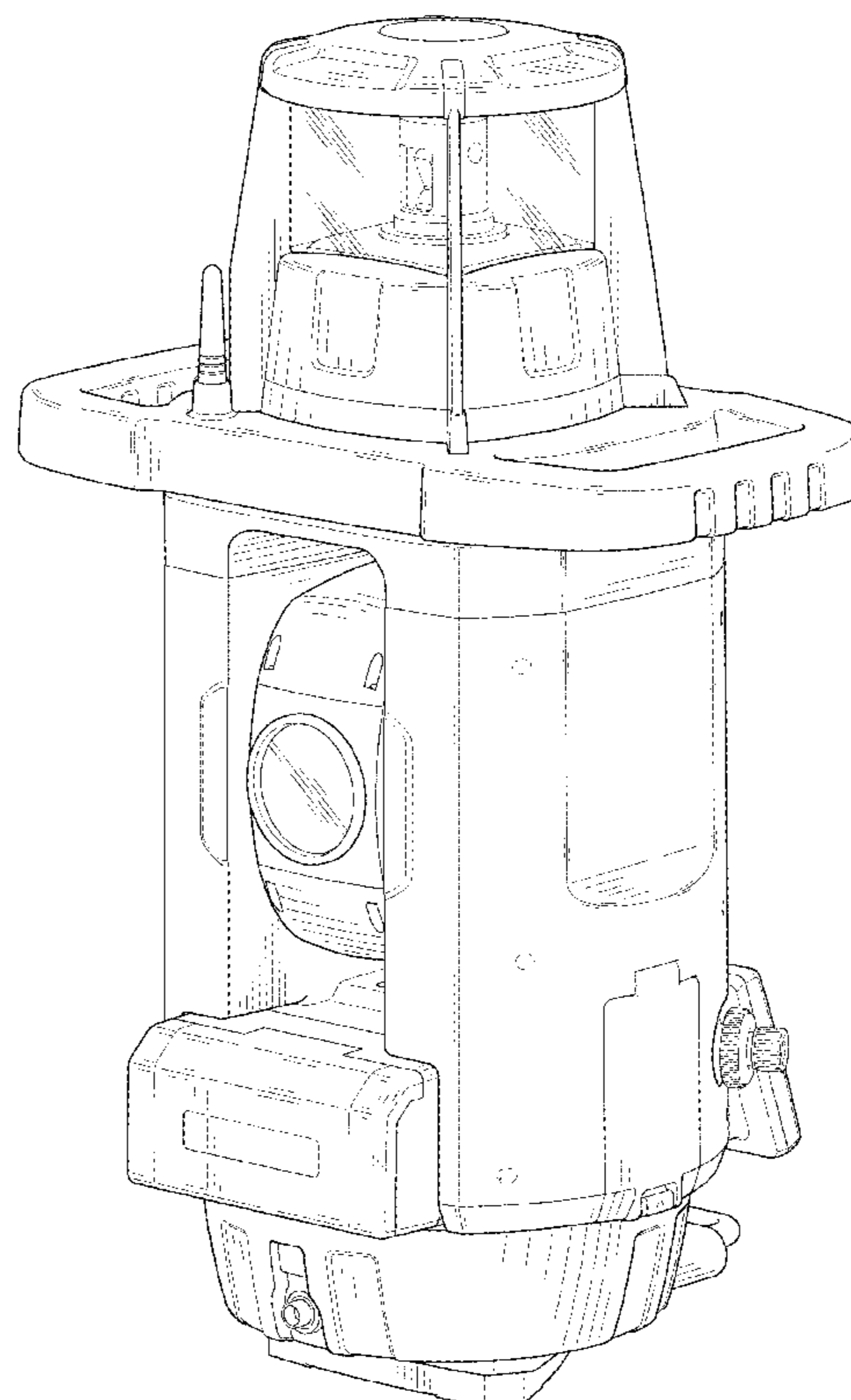
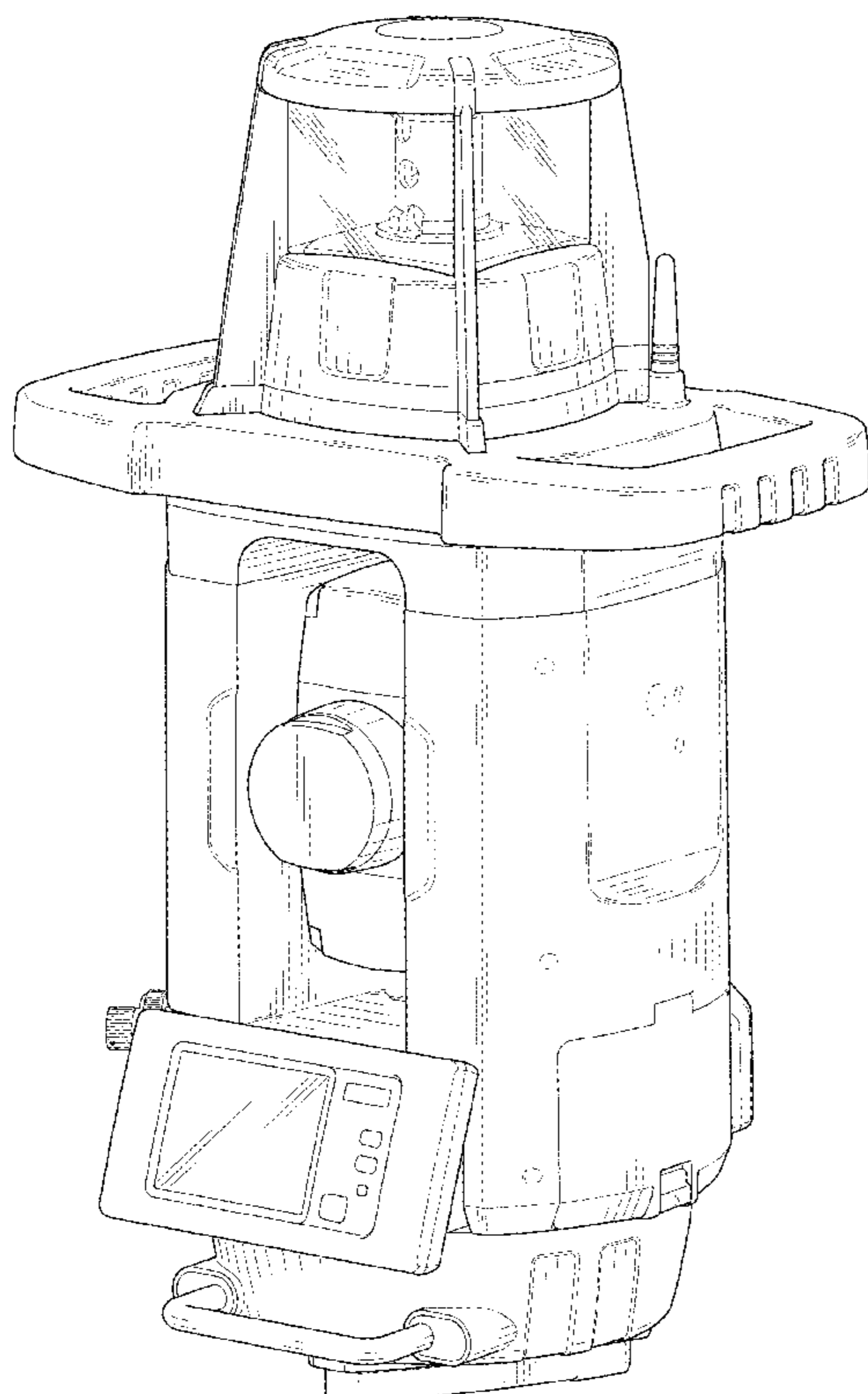
FIG. 6 is a bottom plan view thereof

FIG. 7 is a front, right-side, top perspective view thereof; and,

FIG. 8 is a rear, left-side, top perspective view thereof.

The broken lines depict environmental subject matter only and form no part of the claimed design.

**1 Claim, 7 Drawing Sheets**



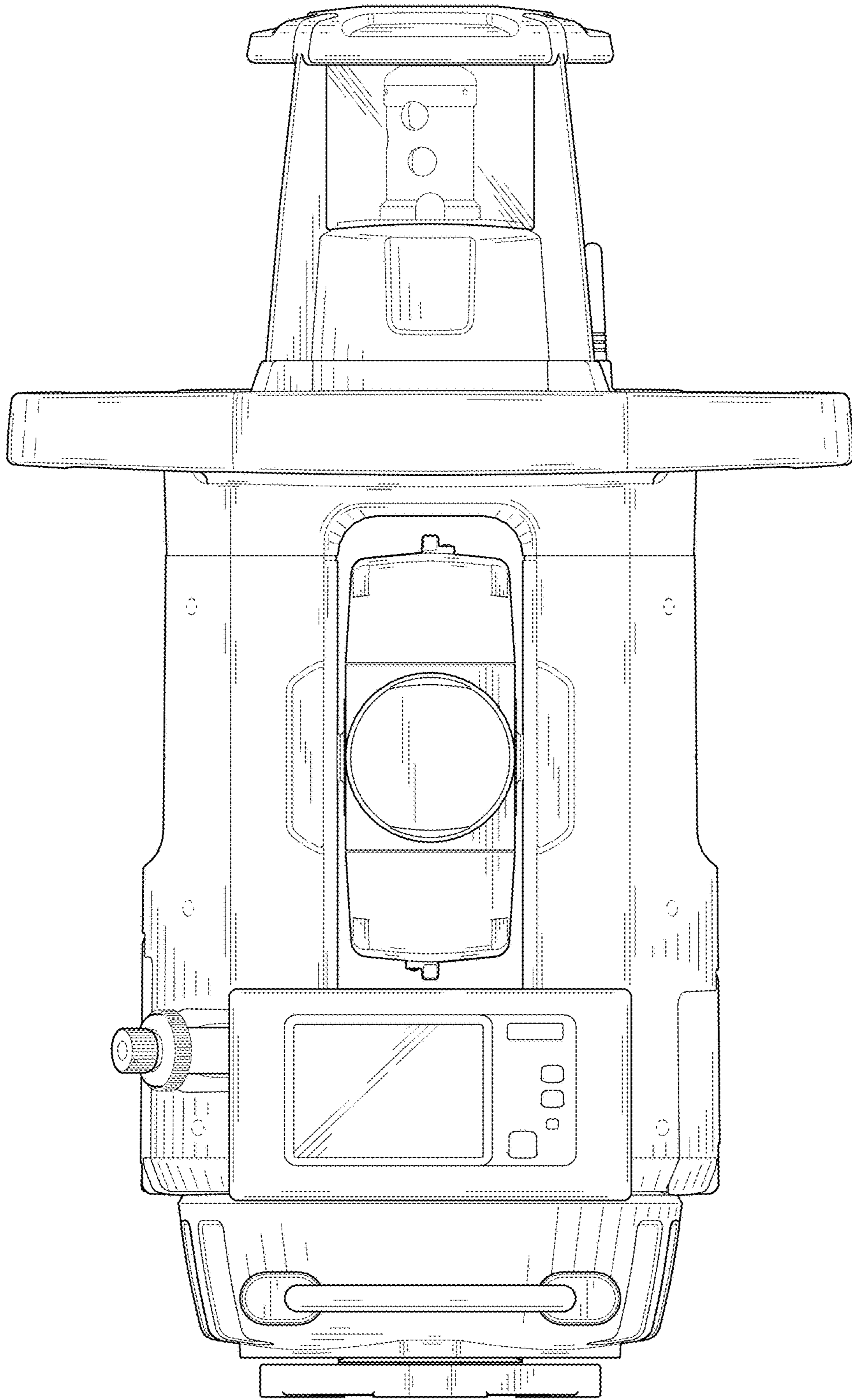


FIG. 1

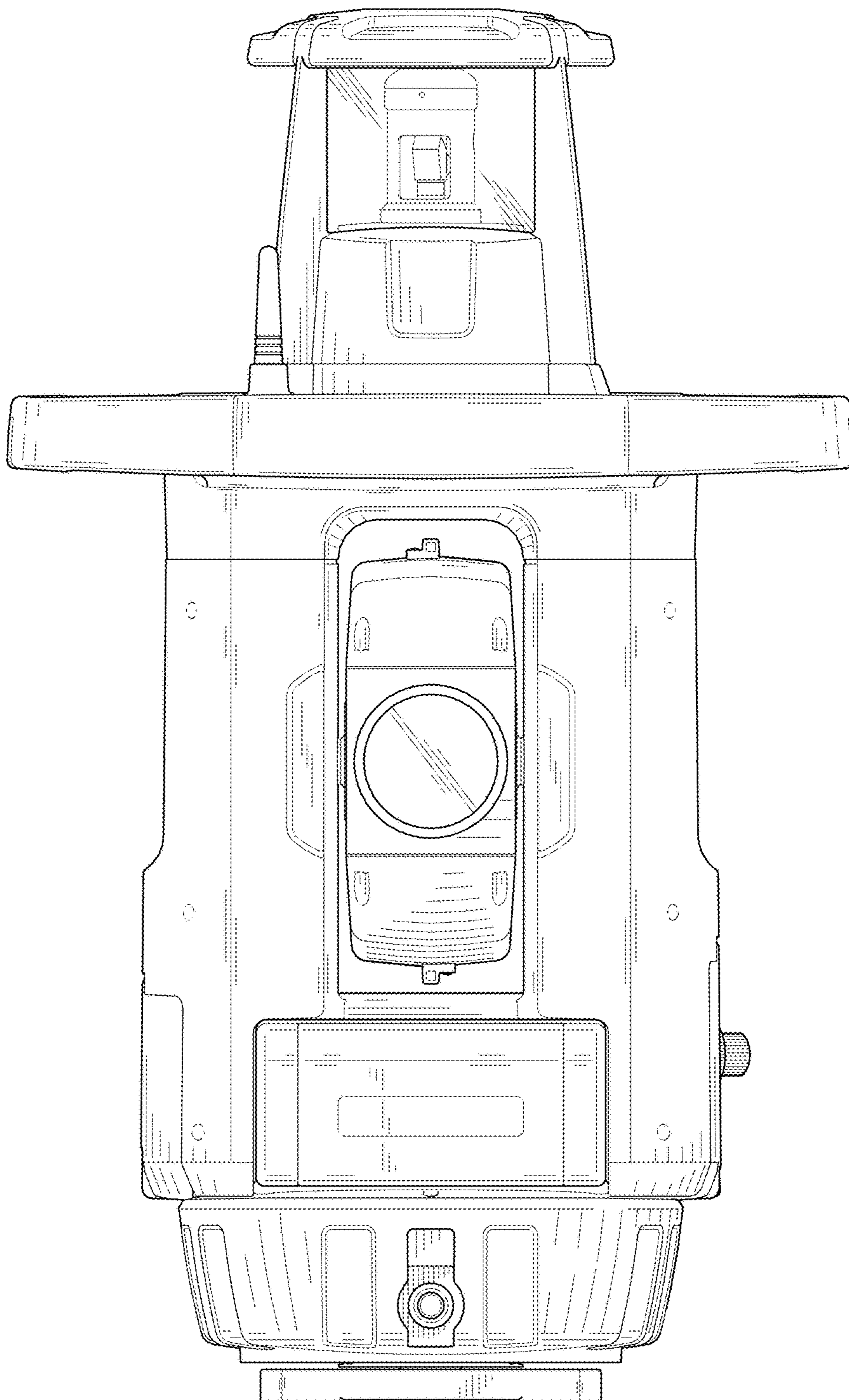


FIG. 2

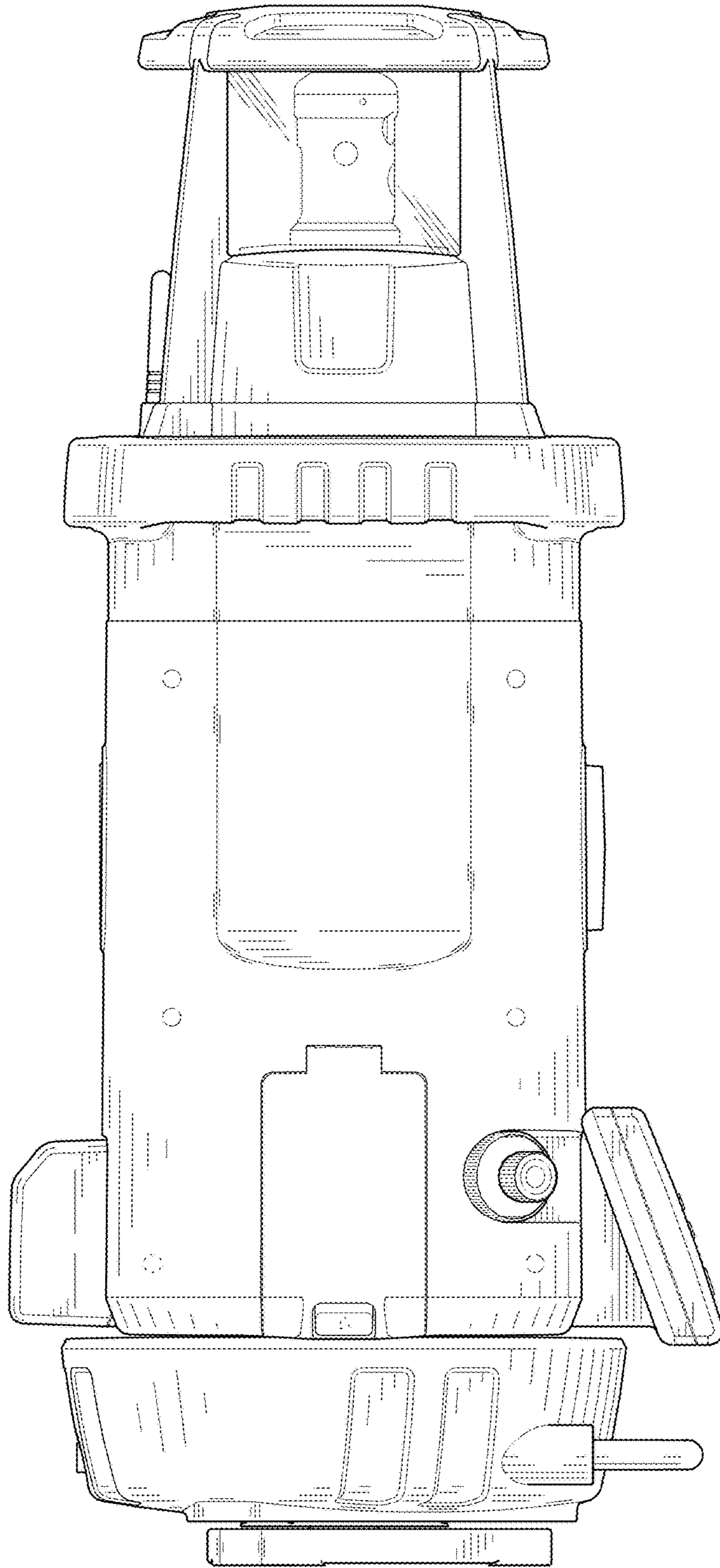


FIG. 3

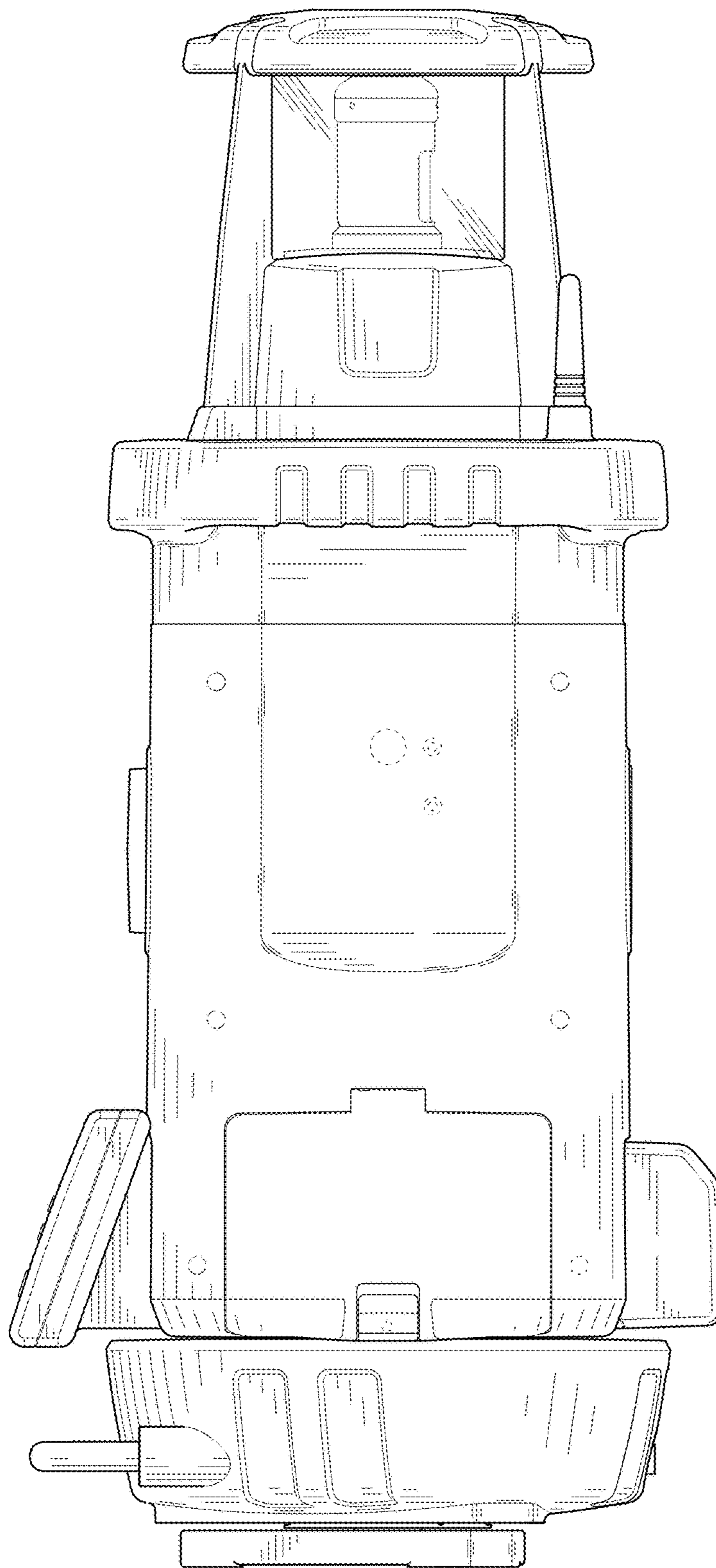


FIG. 4

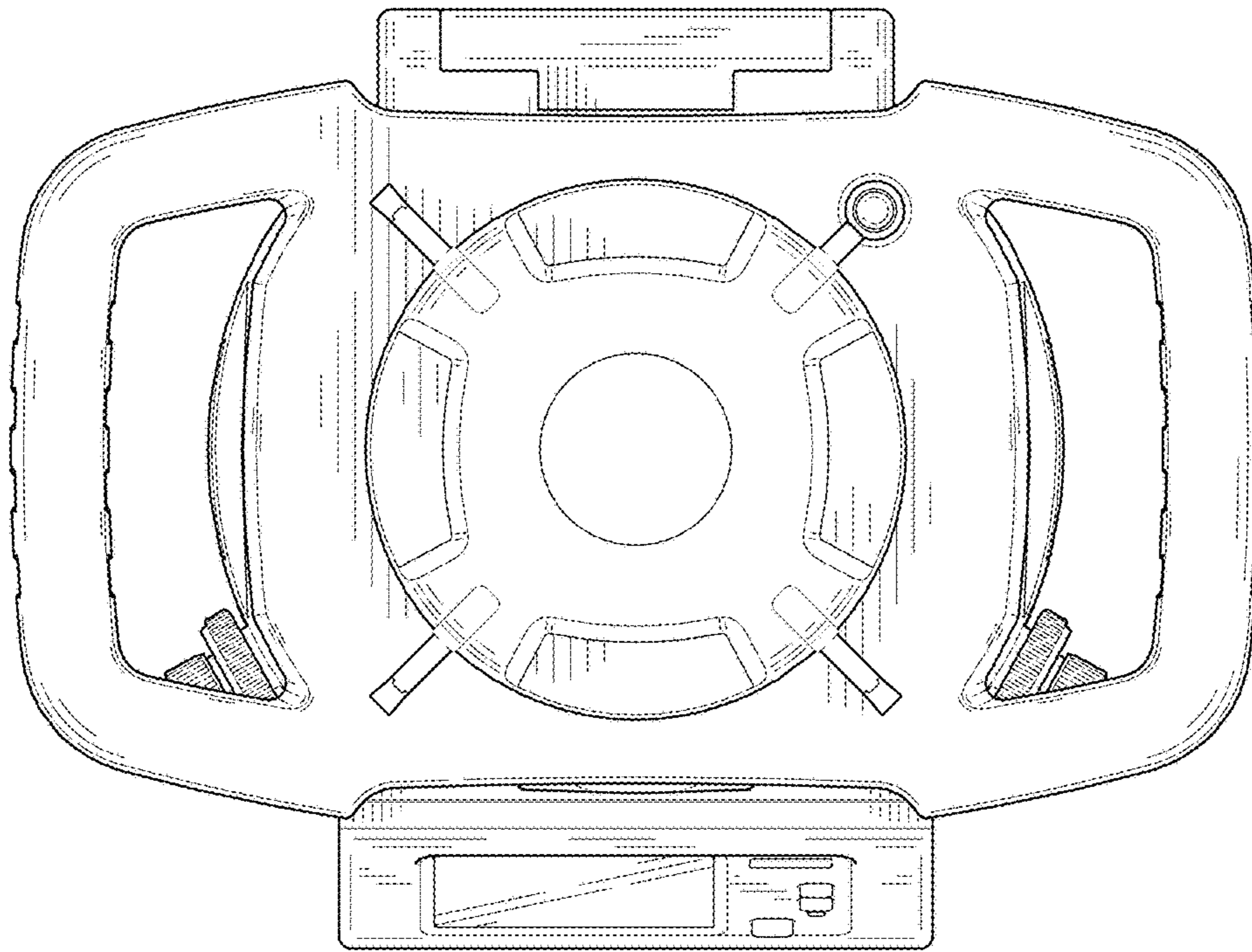


FIG. 5

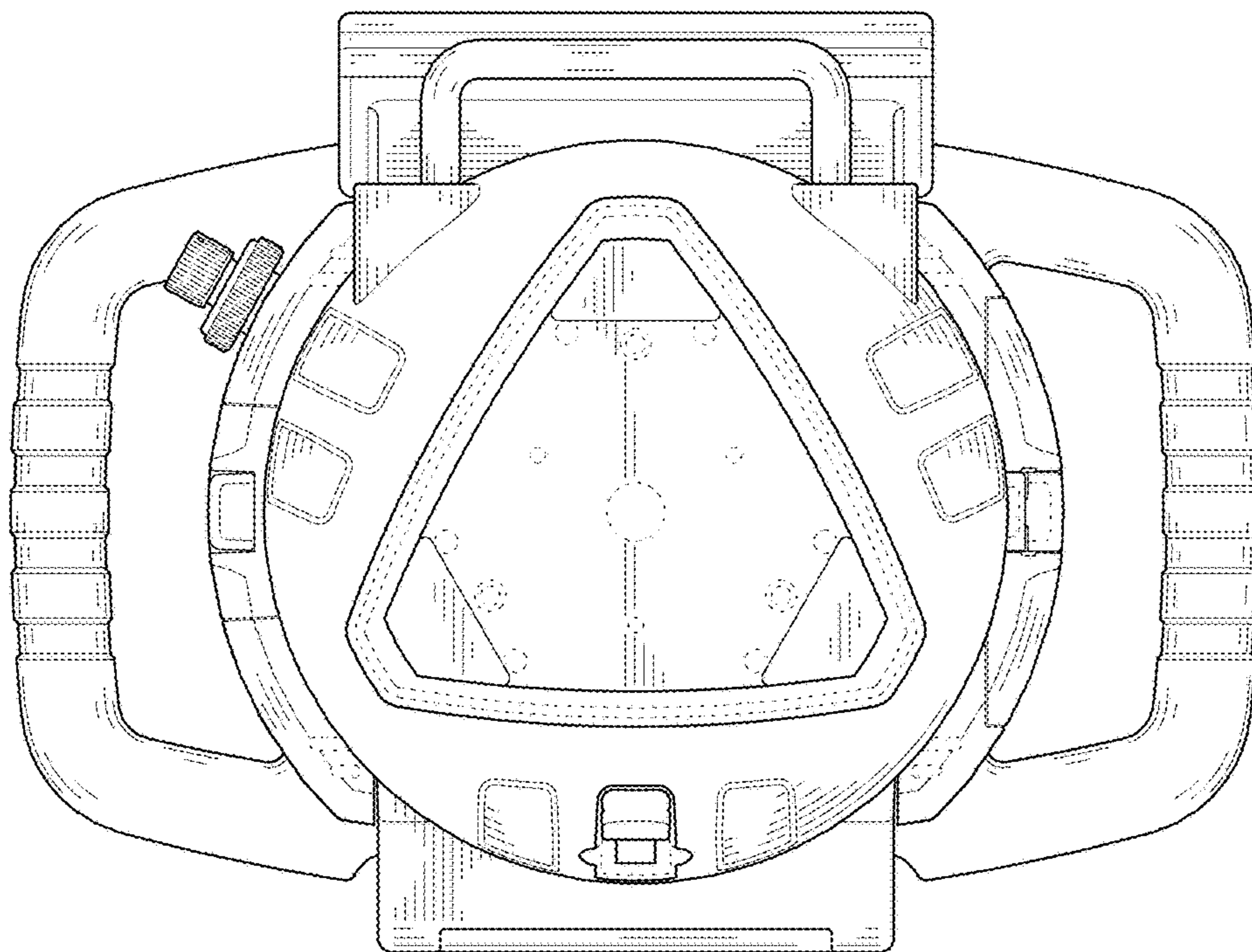


FIG. 6

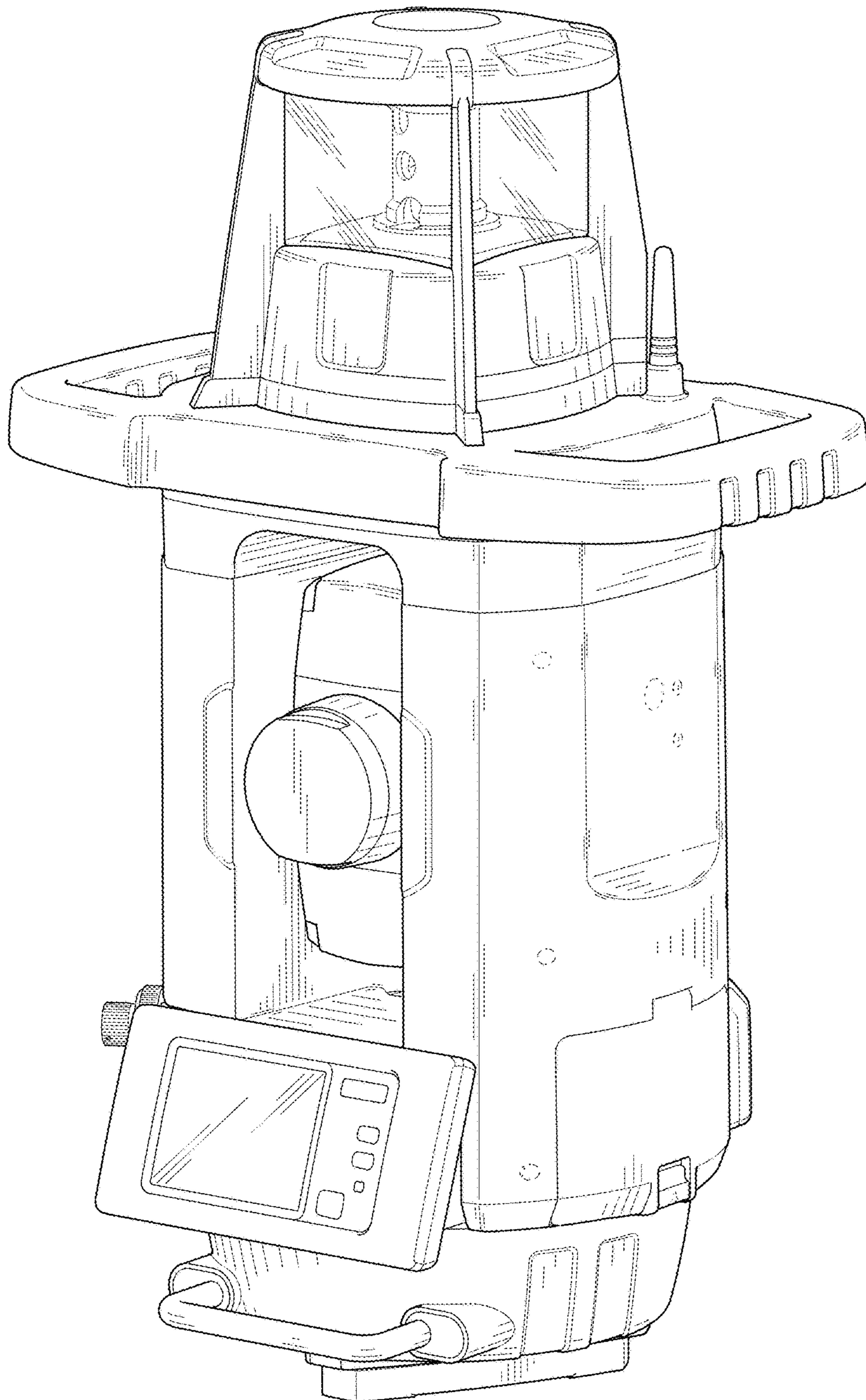


FIG. 7

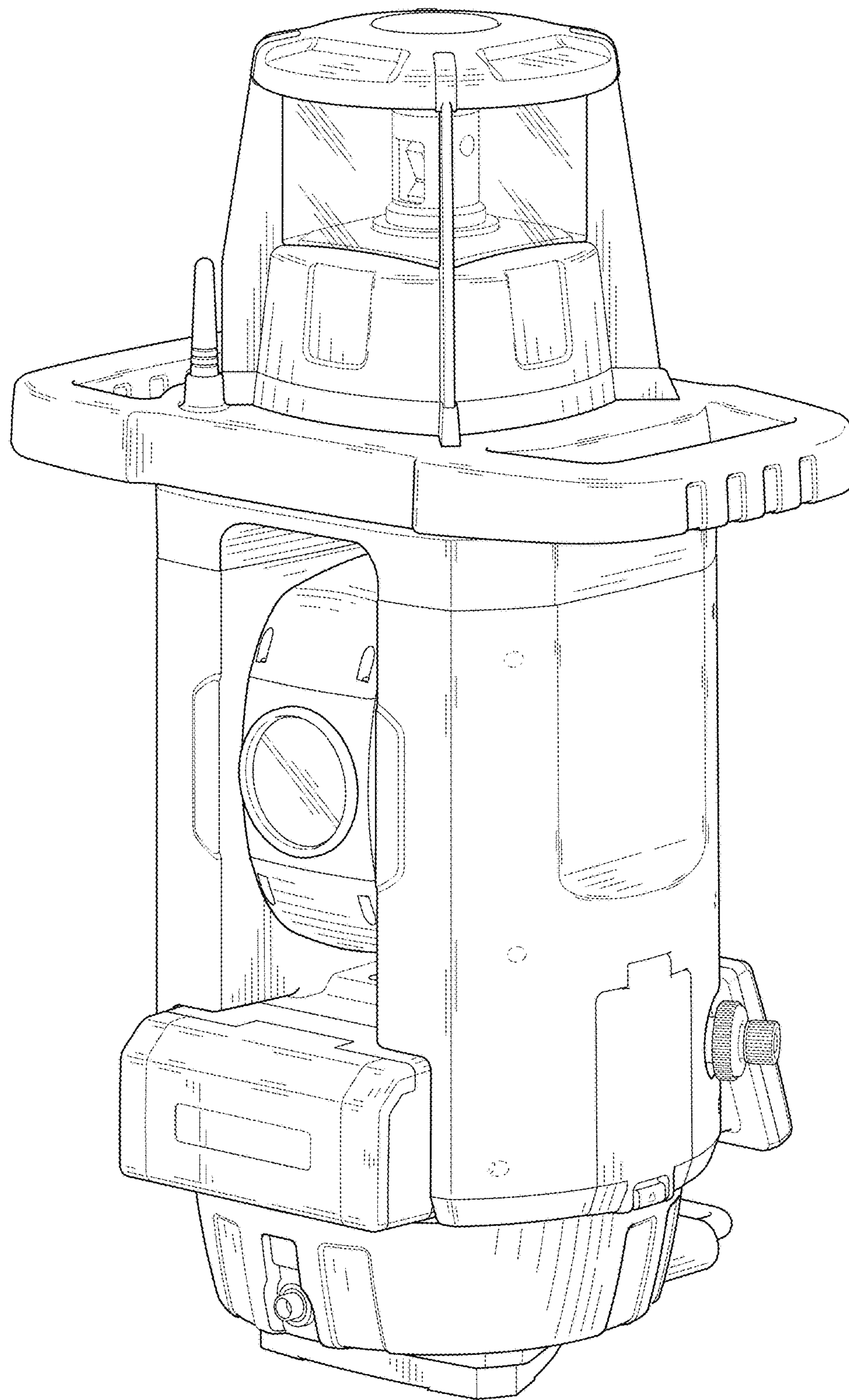


FIG. 8