



US00D777586S

(12) **United States Design Patent**
Mangold

(10) **Patent No.:** **US D777,586 S**

(45) **Date of Patent:** **** Jan. 31, 2017**

(54) **CONTROLLER FOR VALVES**
(71) Applicant: **FESTO AG & Co. KG**, Esslingen (DE)
(72) Inventor: **Simone Mangold**, Esslingen (DE)
(73) Assignee: **FESTO AG & CO. KG**, Esslingen (DE)
(**) Term: **15 Years**

D627,037 S * 11/2010 Glasser D10/49
D630,533 S * 1/2011 Clausen D10/49
D638,521 S 5/2011 Matusche
D701,943 S 4/2014 Gaertner
8,689,760 B1 * 4/2014 Pham F02M 63/0077
123/188.1
8,807,165 B2 * 8/2014 Frank F16K 25/005
137/599.01
9,103,460 B2 * 8/2015 Moedinger F15B 15/202
D754,291 S * 4/2016 Mangold D23/233
D754,292 S * 4/2016 Mangold D23/233

(21) Appl. No.: **29/530,816**
(22) Filed: **Jun. 19, 2015**

(30) **Foreign Application Priority Data**
Dec. 23, 2014 (WO) 861956101
(51) **LOC (10) Cl.** **10-04**
(52) **U.S. Cl.**
USPC **D10/49; D23/233**
(58) **Field of Classification Search**
USPC D10/49; D23/233-248
CPC F16K 25/00; F16K 25/005; F16K 25/02;
F16K 25/04; F16K 27/00; F16K 27/003;
F16K 27/006; F16K 27/02; F16K
27/0209; F16K 27/0218; F16K 27/0227;
F16K 27/0236; F16K 27/0245; F16K
27/0254; F16K 27/0263; F16K 27/0272;
F16K 27/028
See application file for complete search history.

(56) **References Cited**
U.S. PATENT DOCUMENTS
D598,978 S * 8/2009 Parsons D23/233
D600,781 S * 9/2009 Parsons D23/233
D600,782 S * 9/2009 Parsons D23/233

OTHER PUBLICATIONS

“System 8802 Continuous Classic” of Christian Burkert GmbH & Co, KG.

* cited by examiner

Primary Examiner — Antoine D Davis
(74) *Attorney, Agent, or Firm* — Hoffmann & Baron, LLP

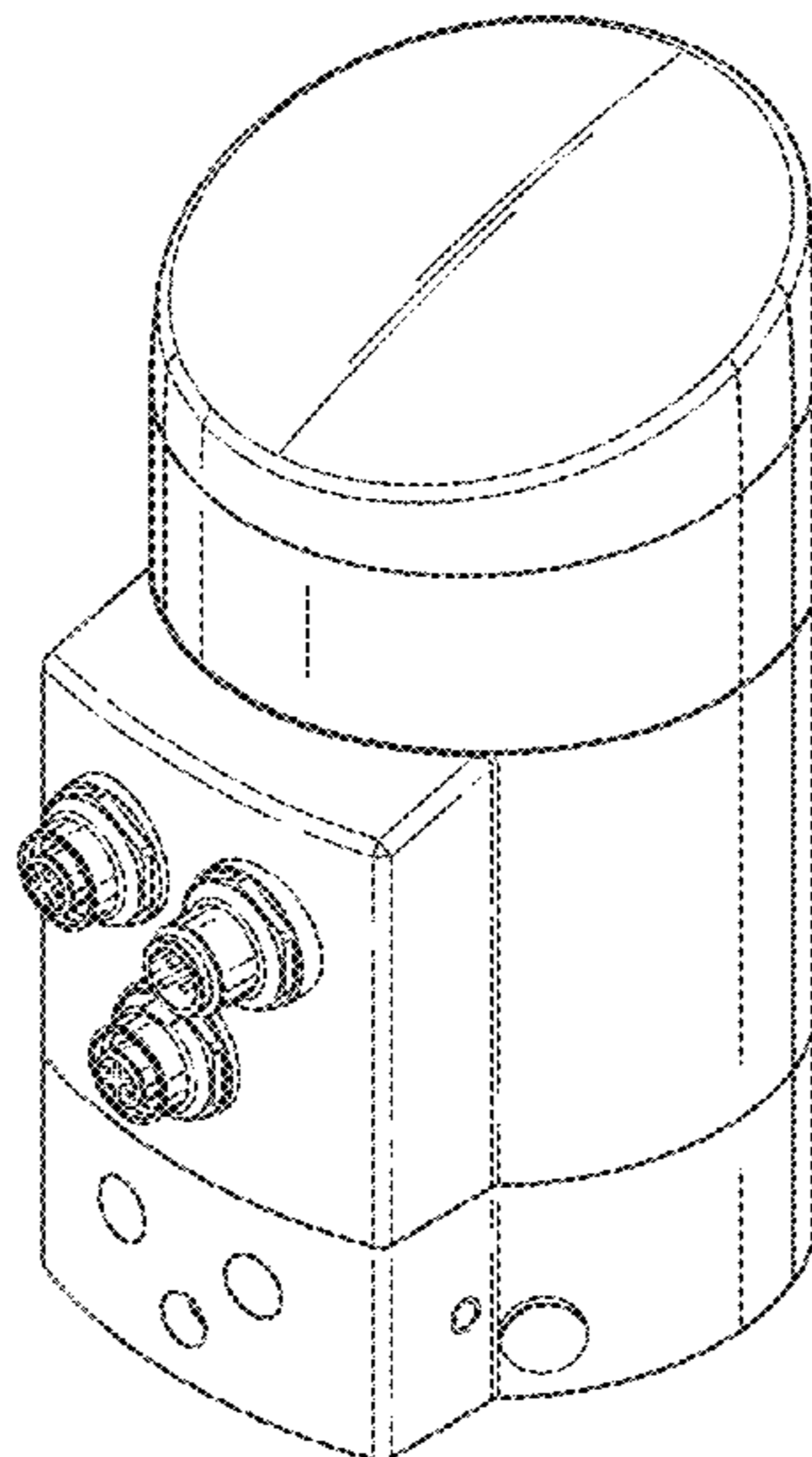
(57) **CLAIM**

The ornamental design for a controller for valves, as shown and described.

DESCRIPTION

FIG. 1 is a top perspective view of a controller for valves showing my new design;
FIG. 2 is a front view thereof;
FIG. 3 is a rear view thereof;
FIG. 4 is a left view thereof;
FIG. 5 is a right view thereof;
FIG. 6 is a top plan view thereof; and,
FIG. 7 is a bottom plan view thereof.
The broken lines in FIG. 7 are included for the purpose of illustrating portions that form no part of the claimed design.

1 Claim, 7 Drawing Sheets



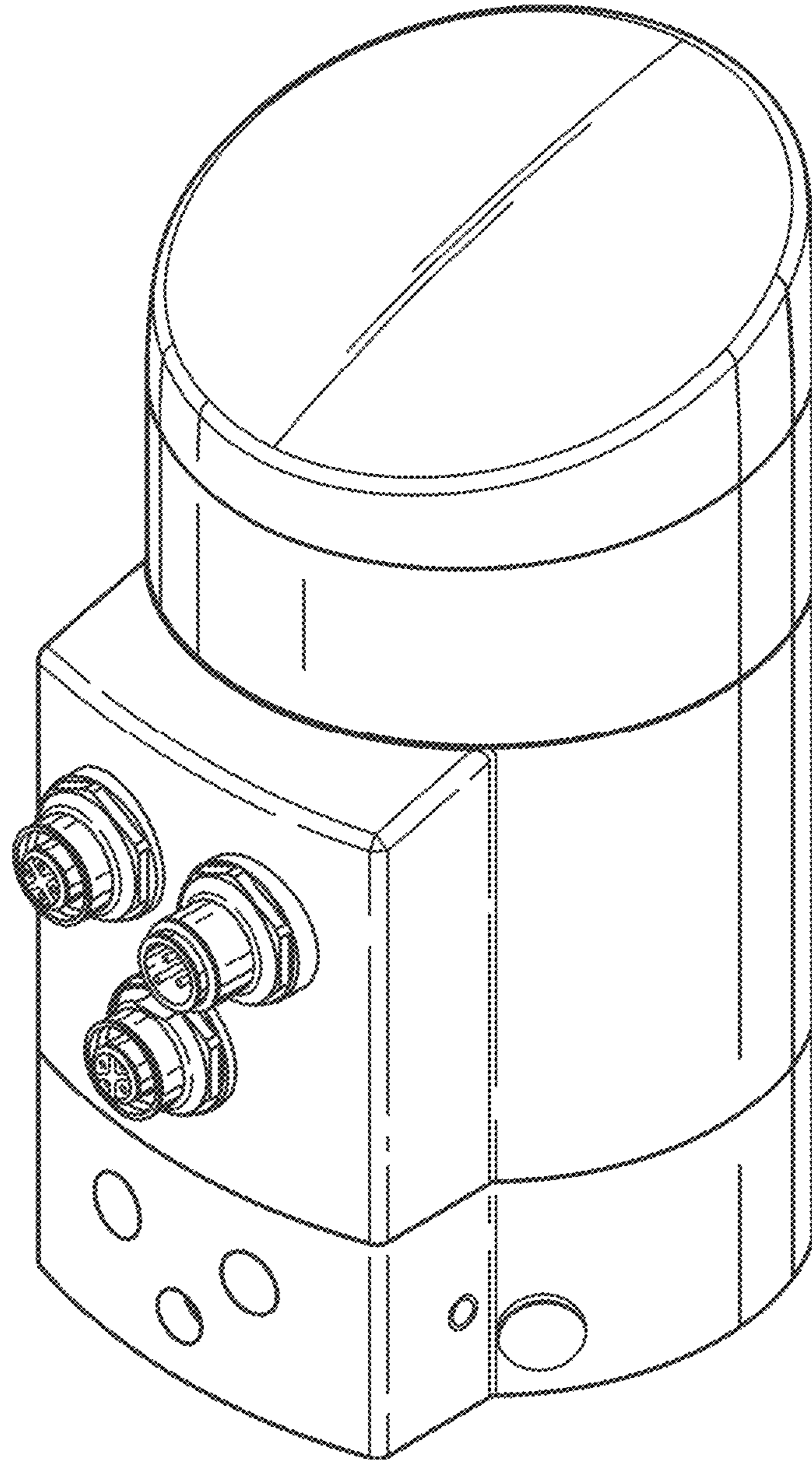


FIG. 1

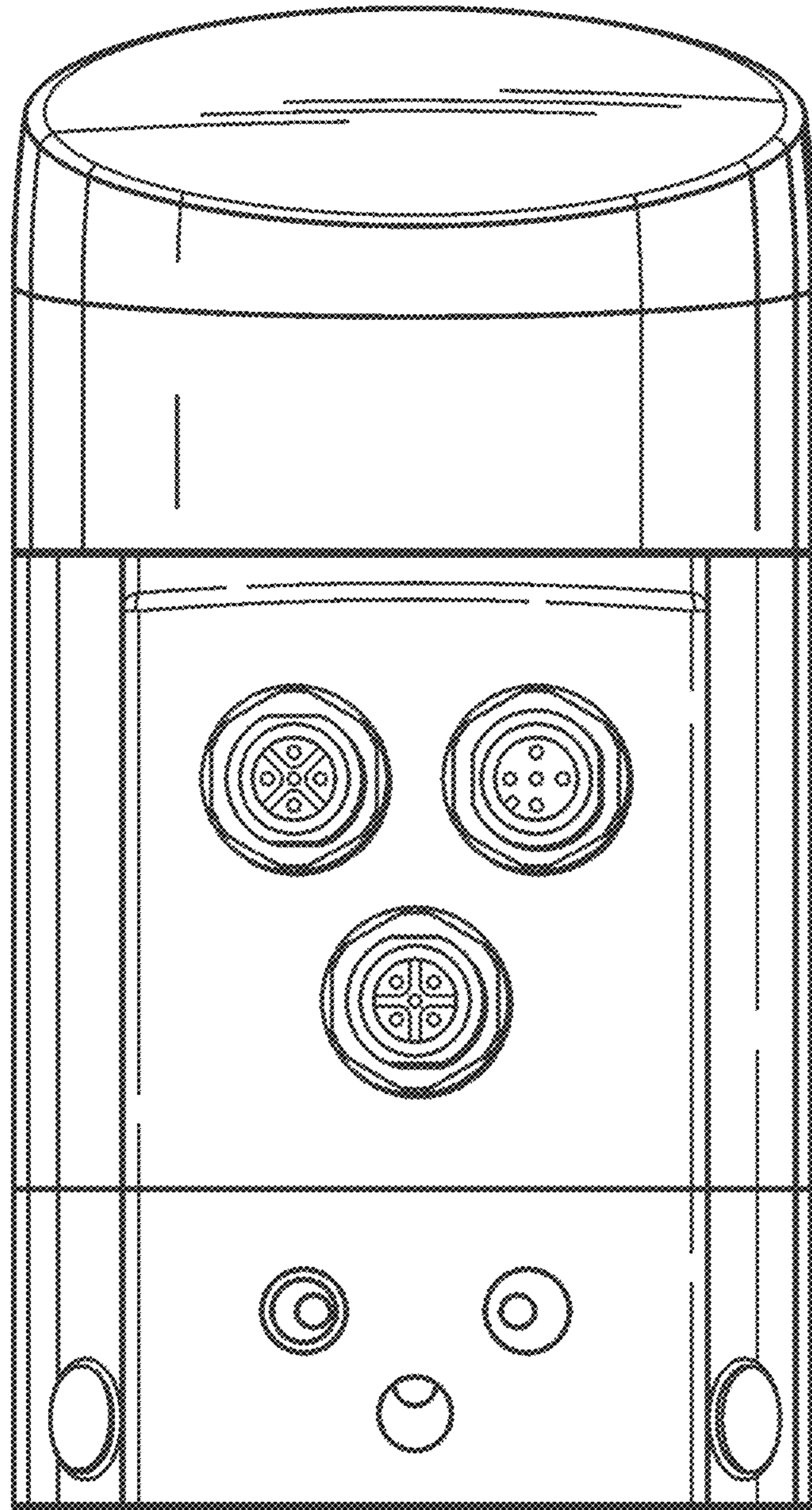


FIG. 2

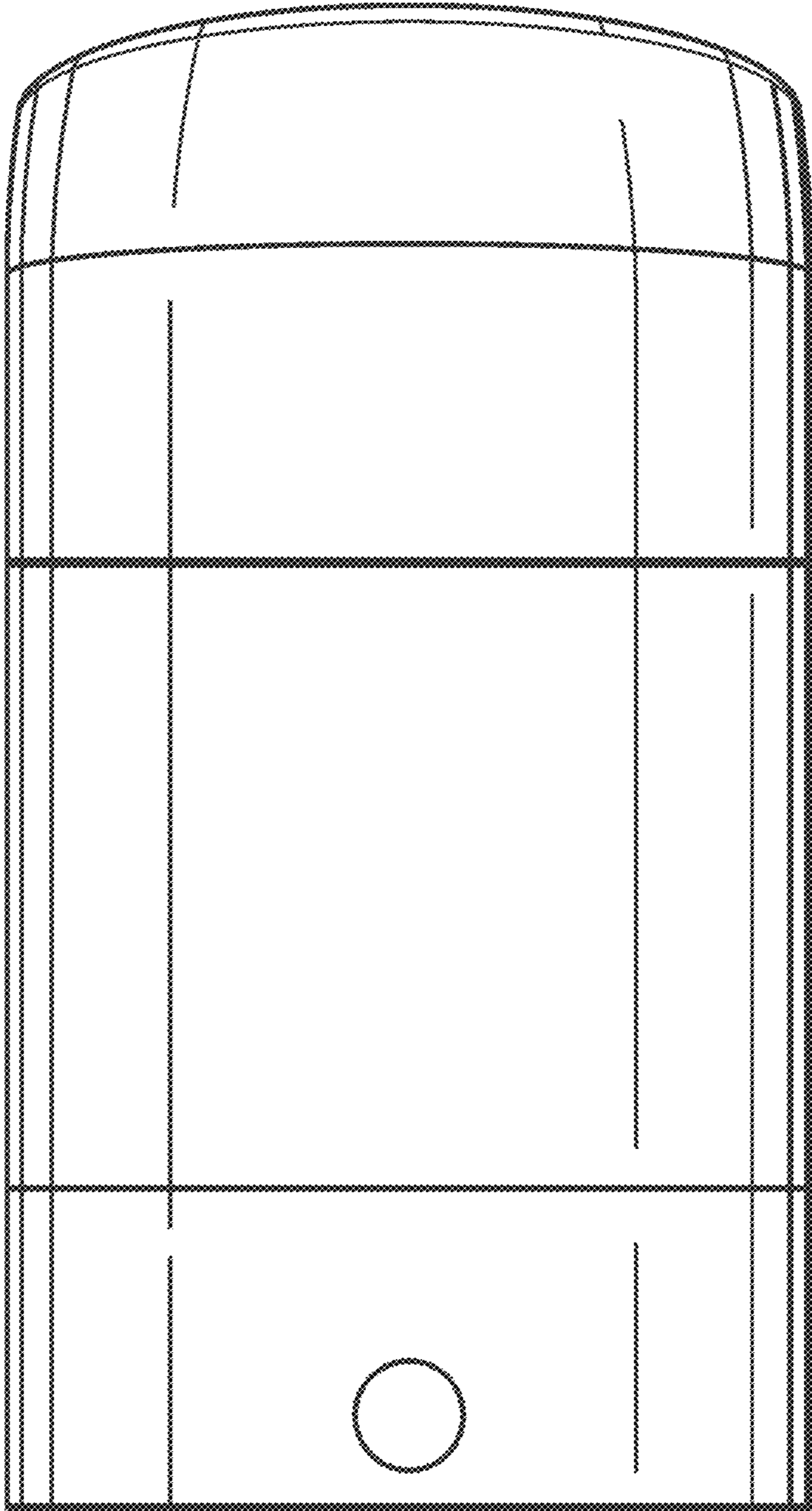


FIG. 3

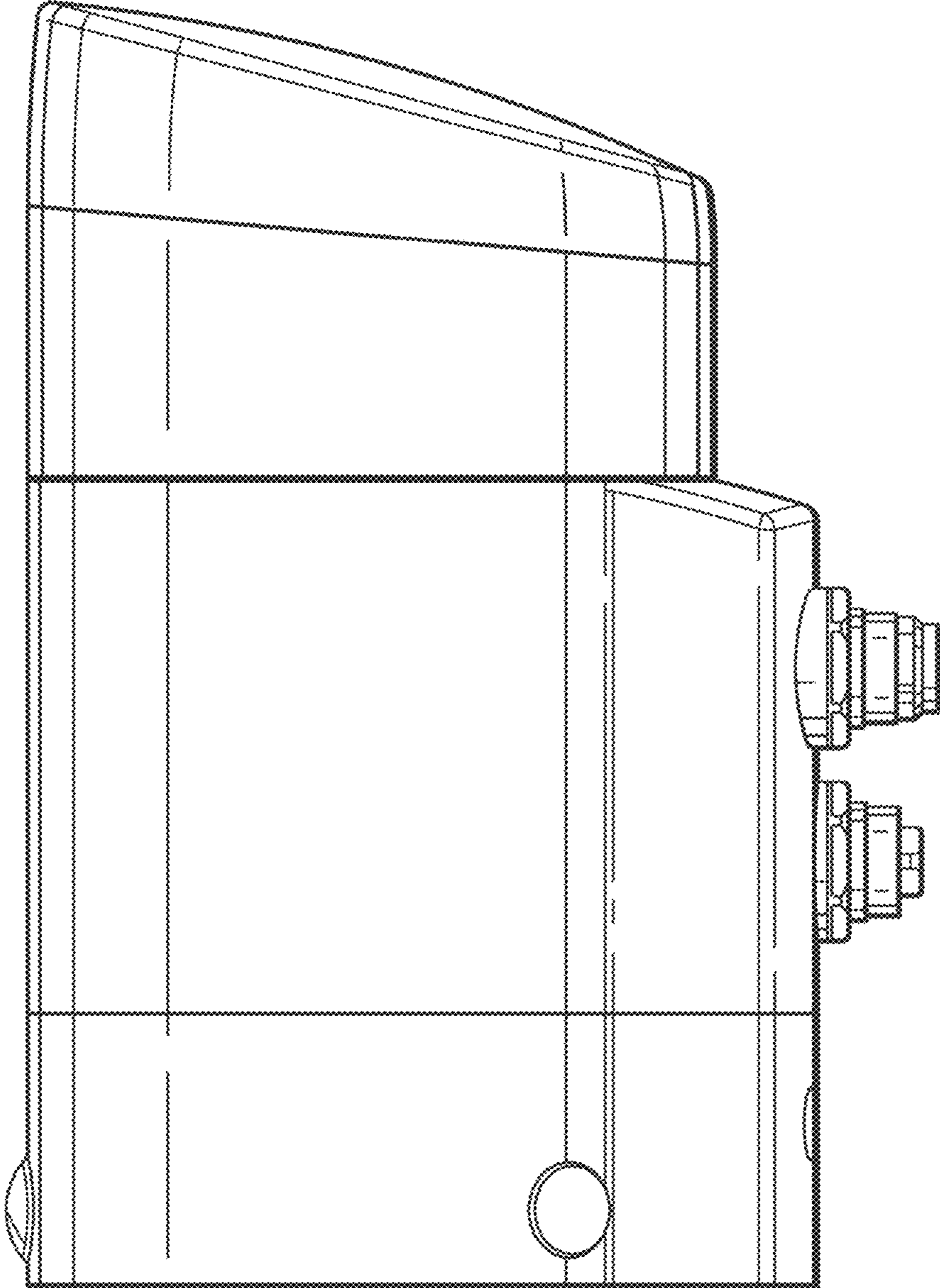


FIG. 4

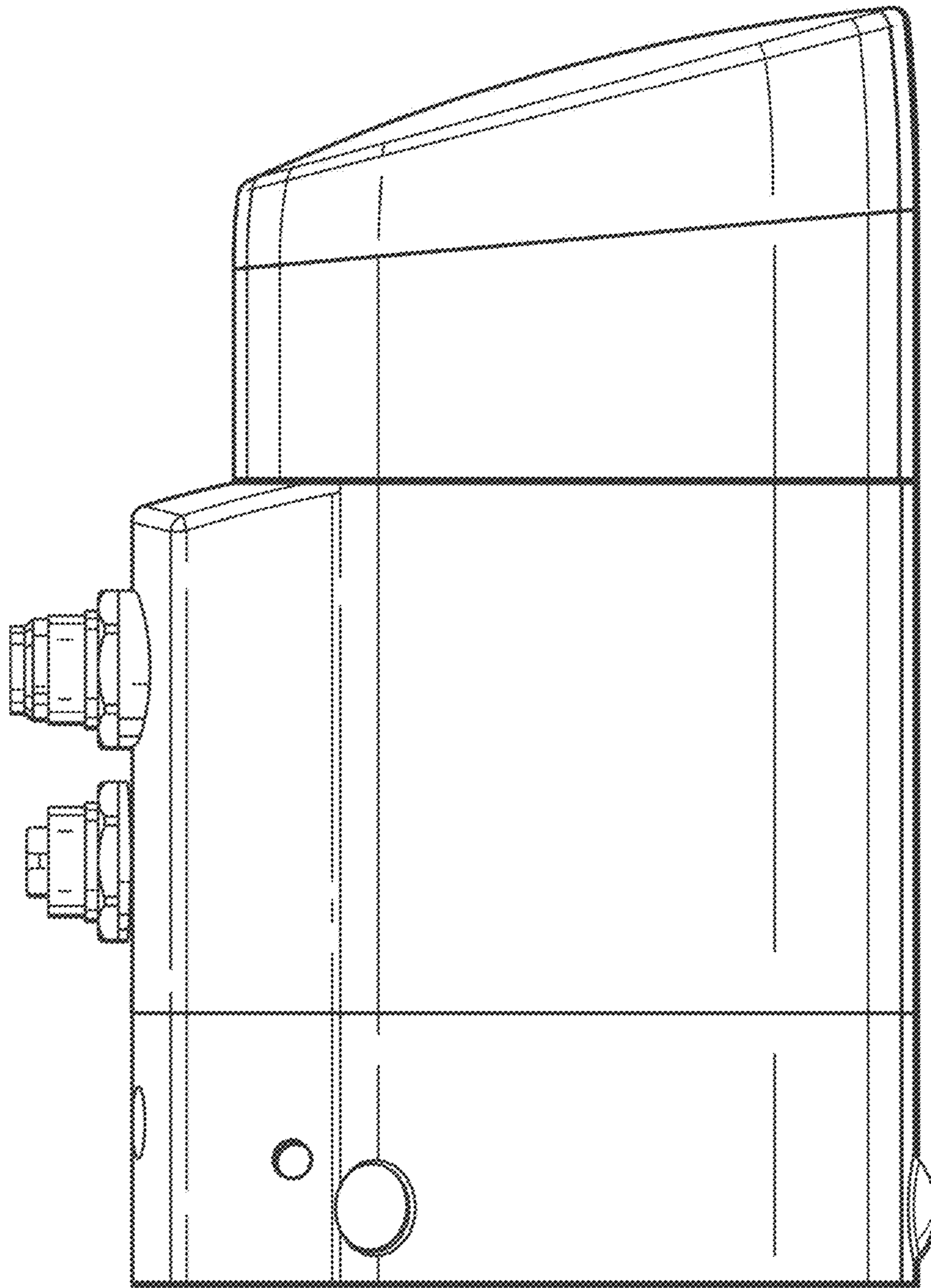


FIG. 5

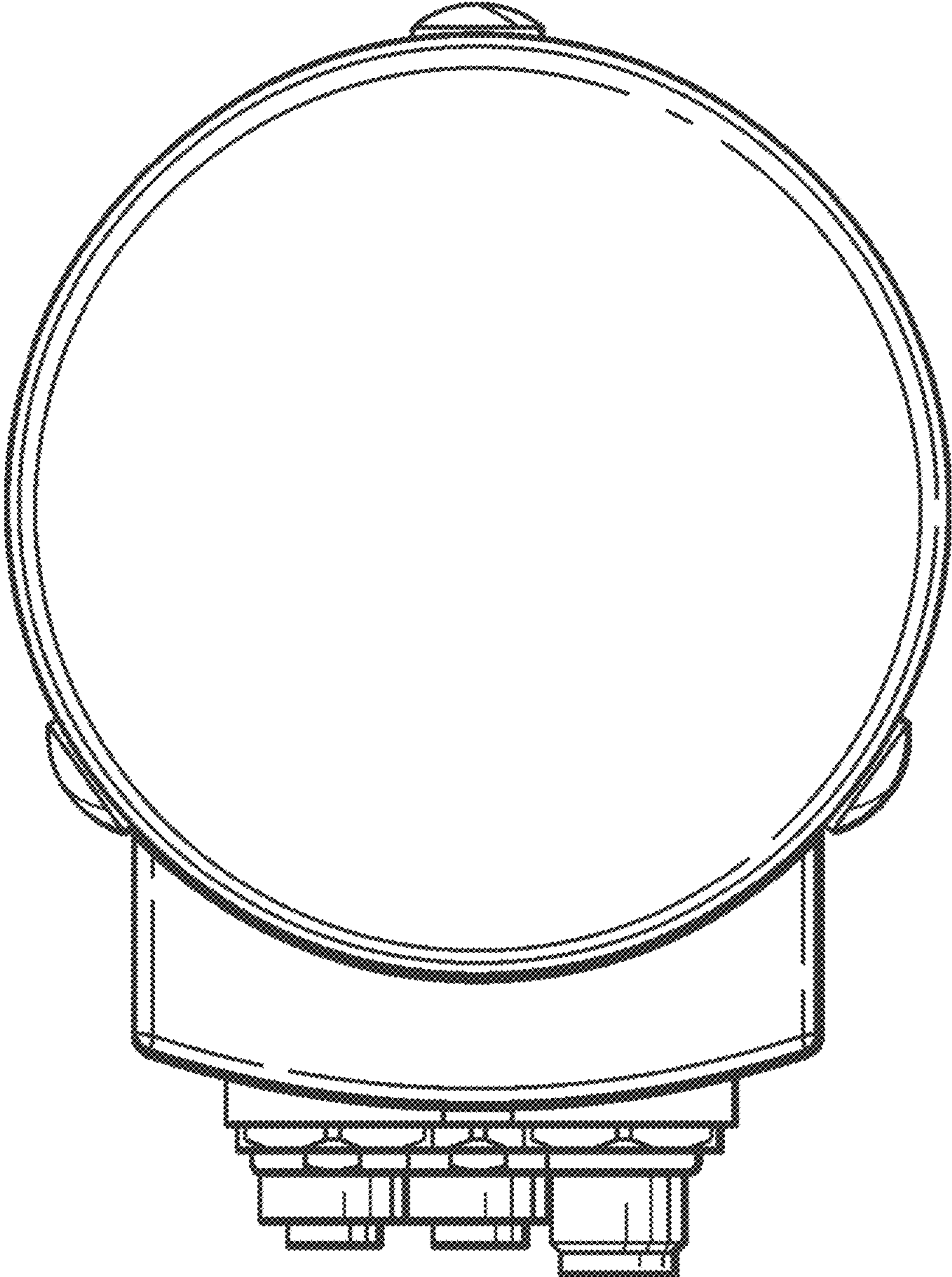


FIG. 6

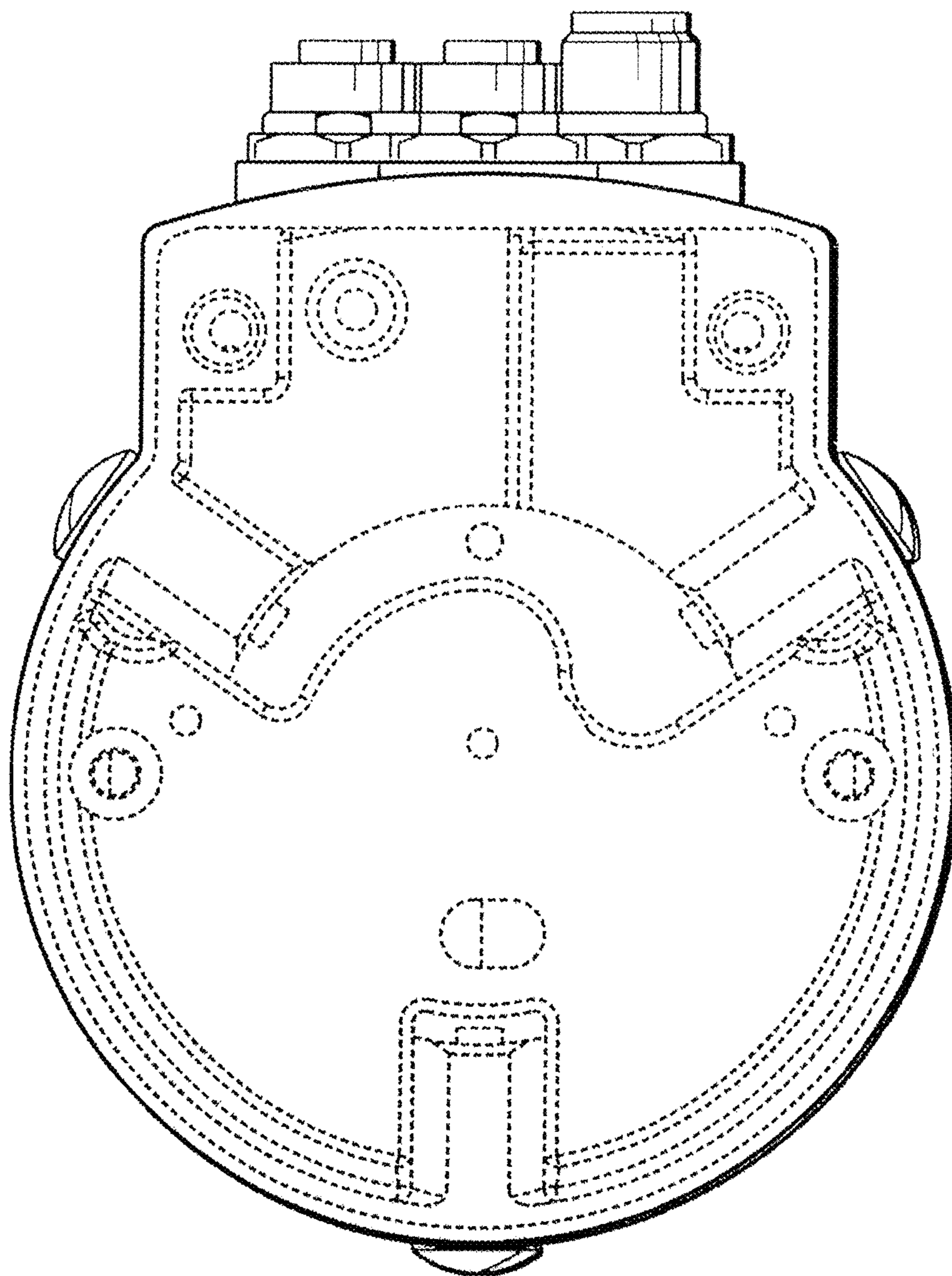


FIG. 7