



US00D777585S

(12) **United States Design Patent**
Lyon

(10) **Patent No.:** **US D777,585 S**
(45) **Date of Patent:** **** Jan. 31, 2017**

- (54) **DISPENSER**
- (71) Applicant: **Antonio Lyon**, Sunrise, FL (US)
- (72) Inventor: **Antonio Lyon**, Sunrise, FL (US)
- (**) Term: **15 Years**
- (21) Appl. No.: **29/545,350**
- (22) Filed: **Nov. 12, 2015**
- (51) **LOC (10) Cl.** **09-03**
- (52) **U.S. Cl.**
USPC **D9/733; D6/515**
- (58) **Field of Classification Search**
USPC D9/414, 424, 430, 431, 499, 730, 734;
D3/201, 304, 315; D6/515, 518, 519, 521,
D6/522, 523, 545; D7/629, 631, 632;
206/205, 507, 223, 569, 605, 722, 723,
206/725, 371; 221/25, 33, 36, 45, 46, 47,
221/48, 52, 71, 72, 197, 199, 255, 259,
221/305, 309
CPC B65D 85/00; B65D 81/00; B65D 81/22;
B65D 83/0805; A47K 2010/3266; A47K
10/42; A47K 10/426; G07F 11/00
See application file for complete search history.

5,429,377 A	7/1995	Duer	
5,467,481 A	11/1995	Srivastava	
5,820,142 A	10/1998	Duer	
5,966,741 A	10/1999	Klecina	
6,021,919 A *	2/2000	Kelly	A61B 42/40 221/155
6,336,568 B1 *	1/2002	Tucker	A47F 1/10 221/131
6,375,034 B1 *	4/2002	Corbett	A47G 25/904 221/30
6,625,816 B1	9/2003	Cooke	
6,643,846 B2	11/2003	Turner-Antonsen	
D482,915 S *	12/2003	Yang	D6/515
D483,207 S *	12/2003	Winslow	D6/519
6,691,873 B1	2/2004	Healey	
7,063,233 B2 *	6/2006	Jordan	B65D 83/0805 221/197
7,222,817 B2	5/2007	Stringer	
D670,113 S *	11/2012	Morrison	D6/515
8,419,024 B1	4/2013	Arroyo-Ferrer	
8,701,932 B2 *	4/2014	Reinsel	A47F 1/10 198/382

(Continued)

Primary Examiner — Derrick Holland
Assistant Examiner — Lauren Calve
(74) *Attorney, Agent, or Firm* — Malloy & Malloy, P.L.

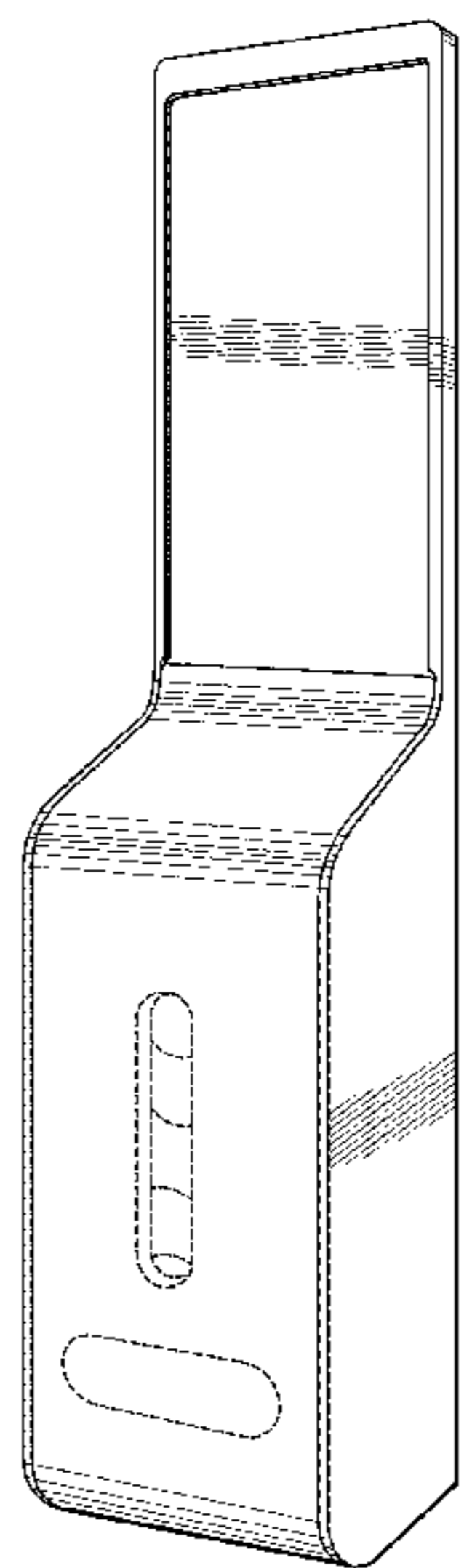
(57) **CLAIM**
The ornamental design for the dispenser, as shown and described.

- (56) **References Cited**
U.S. PATENT DOCUMENTS
3,229,875 A 1/1966 Stoller
D222,582 S * 11/1971 Petrie D9/733
3,872,515 A 3/1975 Miner et al.
4,034,853 A 7/1977 Smith
4,034,924 A * 7/1977 Carlisle A47K 10/40
242/560.3
D255,179 S 6/1980 Peters
4,240,157 A 12/1980 Peters
D275,345 S * 9/1984 Hall D6/518
4,745,635 A 5/1988 Kinnear
4,791,682 A 12/1988 Herr et al.
4,918,755 A 4/1990 Kinnear
5,025,503 A 6/1991 O'Brien
5,173,966 A 12/1992 DeLeo

DESCRIPTION

FIG. 1 is a front perspective view of a dispenser showing my design;
FIG. 2 is a front view thereof;
FIG. 3 is a right side view thereof;
FIG. 4 is a top view thereof;
FIG. 5 is a left view thereof;
FIG. 6 is a bottom view thereof; and,
FIG. 7 is a rear view thereof.
The broken lines shown represent unclaimed subject matter and form no part of the claimed design.

1 Claim, 6 Drawing Sheets



(56)

References Cited

U.S. PATENT DOCUMENTS

2002/0040912 A1 4/2002 McHugh
2002/0113079 A1* 8/2002 Corbett A47G 25/904
221/303
2005/0218612 A1 10/2005 Malchow
2008/0016601 A1 1/2008 McCrorey et al.
2008/0072248 A1 3/2008 Sosalla et al.
2011/0186589 A1 8/2011 Lee
2012/0004761 A1 1/2012 Madruga
2014/0260091 A1 9/2014 Sacks
2015/0230645 A1 8/2015 Dennison et al.
2015/0230672 A1 8/2015 Moskowitz et al.

* cited by examiner

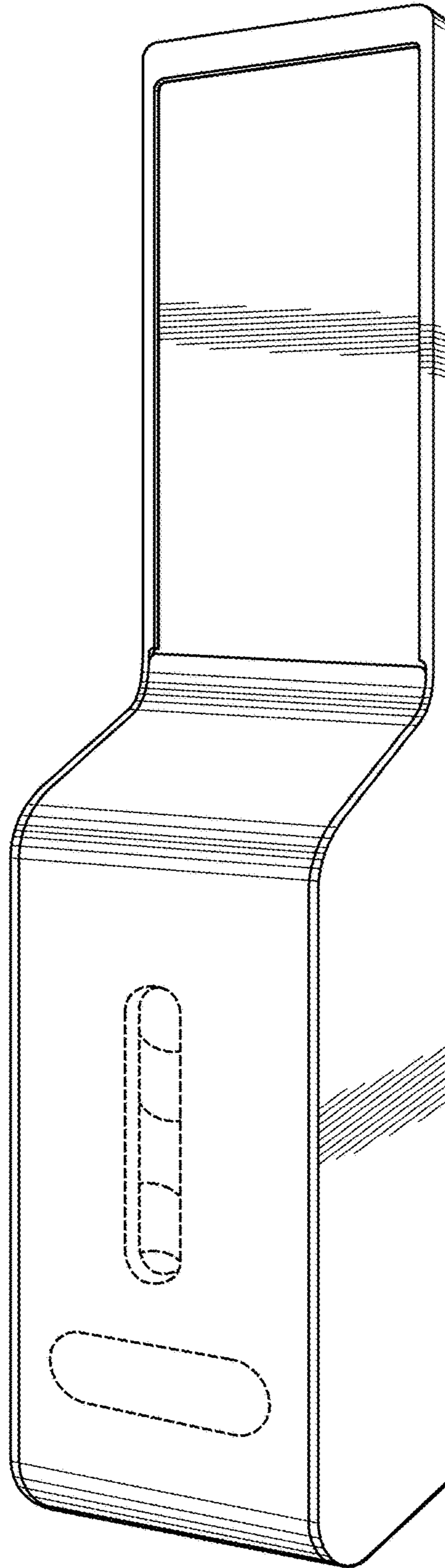


FIG. 1

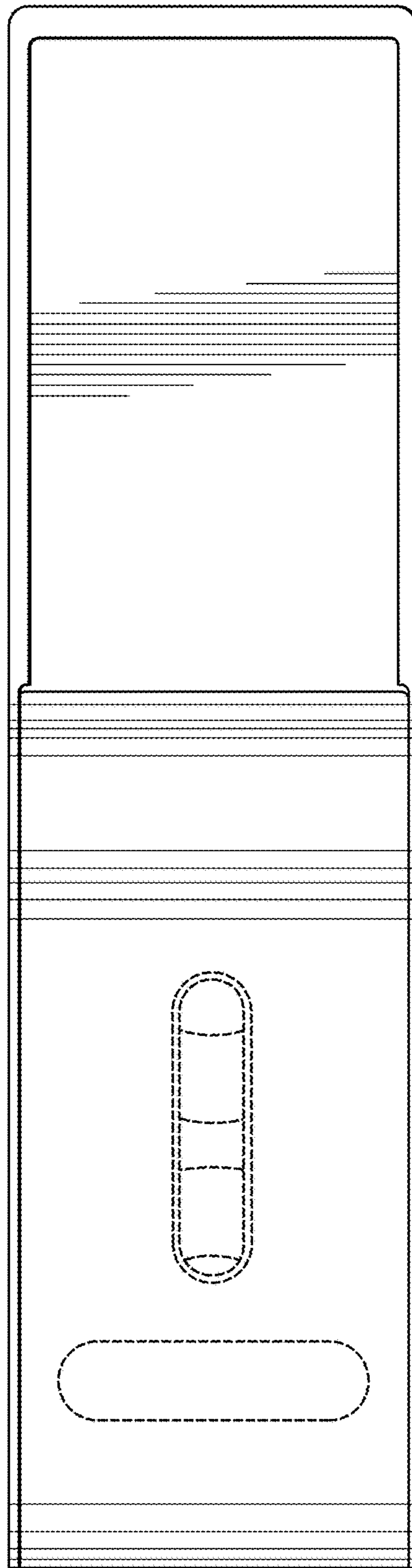


FIG. 2

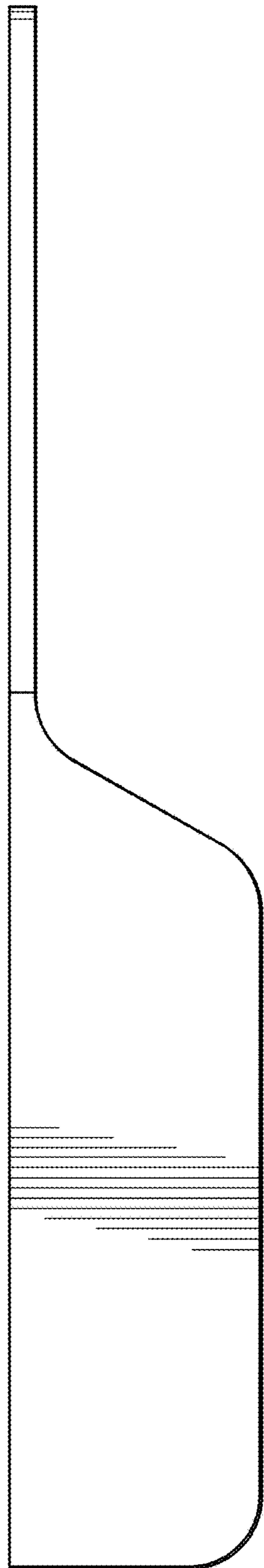


FIG. 3

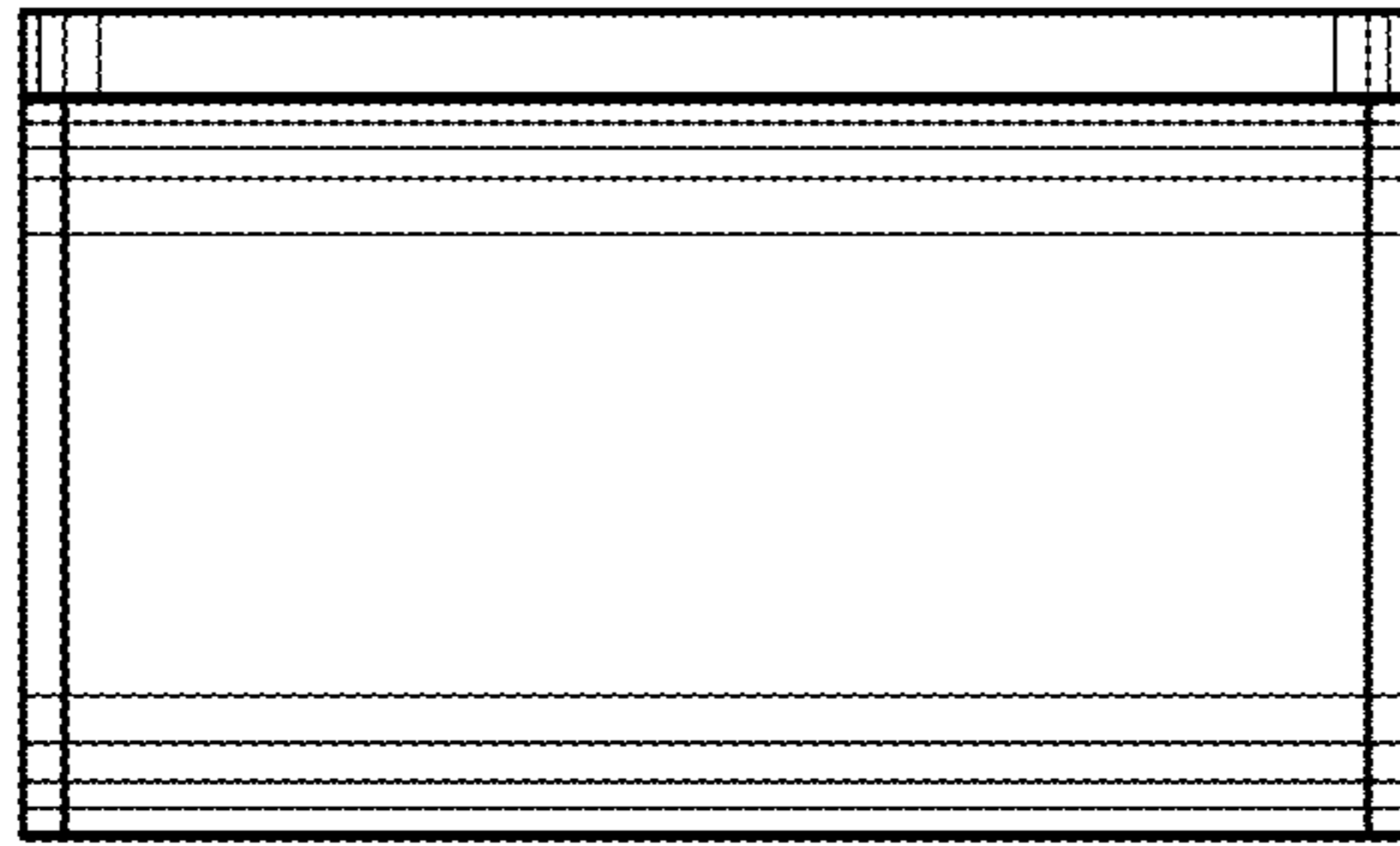


FIG. 4

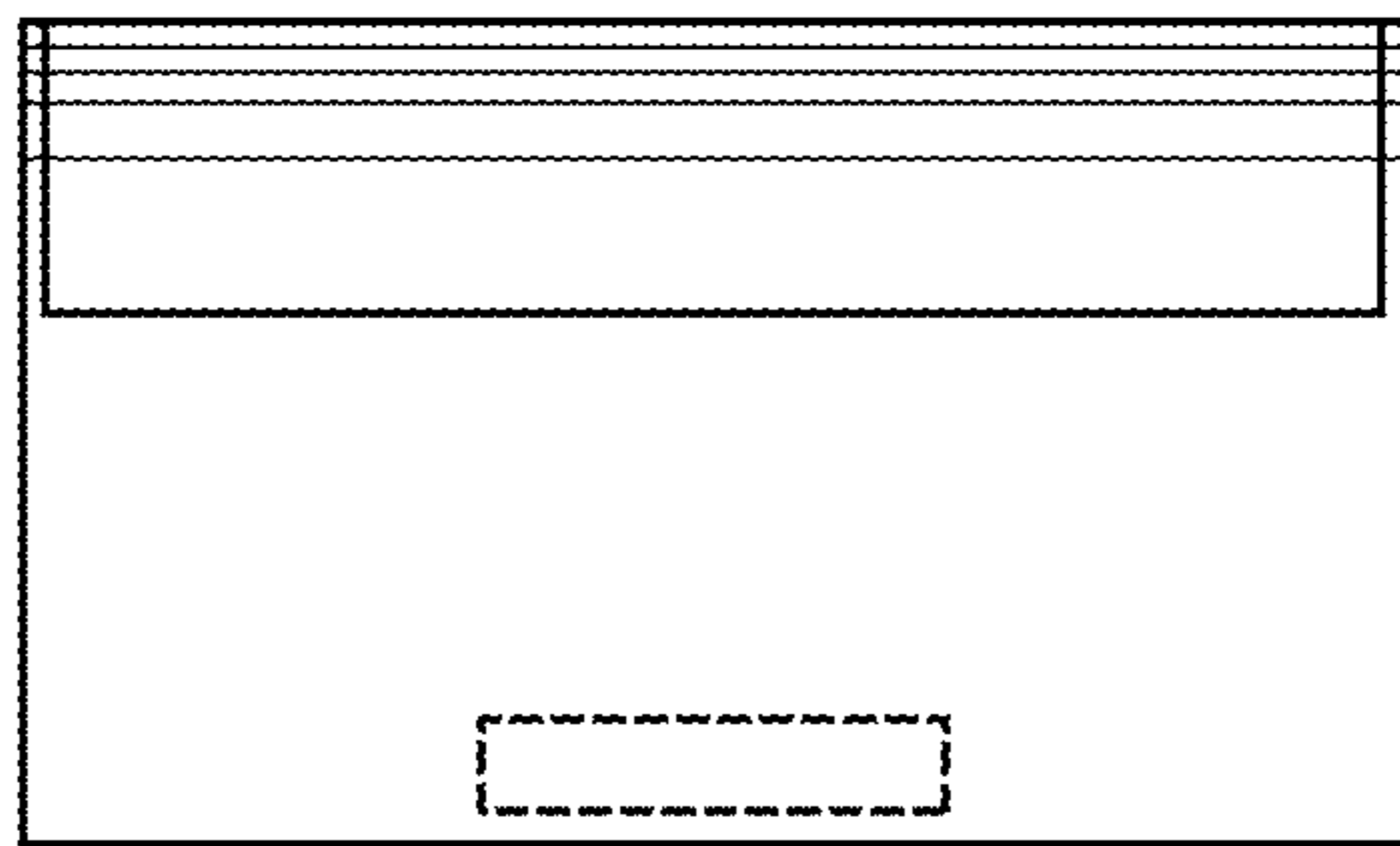


FIG. 6

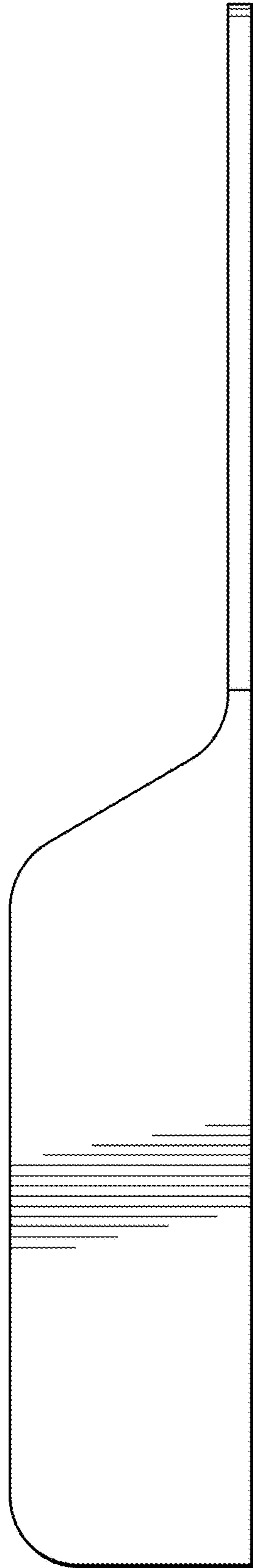


FIG. 5

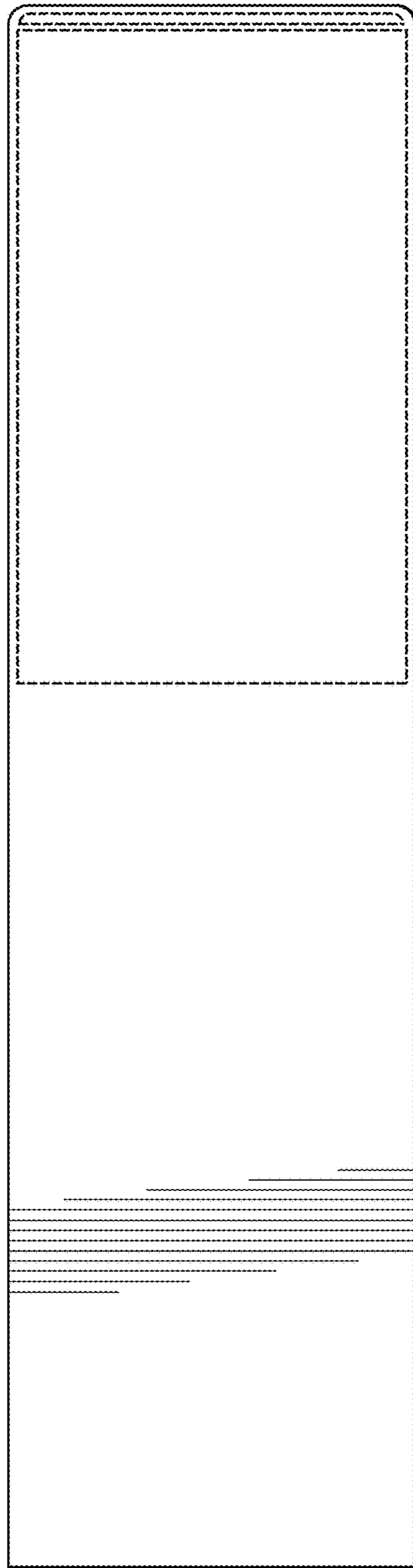


FIG. 7