



US00D777580S

(12) **United States Design Patent**
Lloyd et al.

(10) **Patent No.:** **US D777,580 S**
(45) **Date of Patent:** **** Jan. 31, 2017**

(54) **FRAGRANCE BOTTLE WITH CAP**

(71) Applicant: **Kate Spade LLC**, New York, NY (US)

(72) Inventors: **Deborah Lloyd**, Brooklyn, NY (US);
San Chyi Wang, Rego Park, NY (US)

(73) Assignee: **Kate Spade LLC**, New York, NY (US)

(**) Term: **14 Years**

(21) Appl. No.: **29/449,897**

(22) Filed: **Mar. 15, 2013**

(51) **LOC (10) Cl.** **09-01**

(52) **U.S. Cl.**
USPC **D9/560; D9/451**

(58) **Field of Classification Search**

USPC D9/434-435, 439, 441, 444-445, 451,
D9/516, 544, 546, 559-560, 572-574,
D9/682, 686, 694, 715, 719; D7/300,
D7/300.1, 316, 598; D28/91.1
CPC B65D 1/0002; B65D 1/0223; B65D 23/00;
B65D 83/00; B65D 83/14; B65D 83/20;
B65D 83/38; B65D 2501/00; B65D
2501/0009; B65D 2501/0081; B05B
11/0037
See application file for complete search history.

(56) **References Cited**

U.S. PATENT DOCUMENTS

D494,476 S * 8/2004 Cwynar-Laska et al. D9/560
D510,276 S * 10/2005 de France D9/682

D531,049 S * 10/2006 De France D9/686
D604,174 S * 11/2009 Rica D9/560
D619,470 S * 7/2010 Zeidan D9/544
D622,142 S * 8/2010 de France D9/441
D654,369 S * 2/2012 Del Cerro et al. D9/635
D656,830 S * 4/2012 Rodriguez D9/520
D696,591 S * 12/2013 Chertoff et al. D9/682
D704,056 S * 5/2014 Chertoff et al. D9/448
D711,747 S * 8/2014 Lloyd D9/451
D717,176 S * 11/2014 Gomez D9/560

* cited by examiner

Primary Examiner — Dana L Meyrow

(74) *Attorney, Agent, or Firm* — Norvell IP llc; Shyla N. Jones

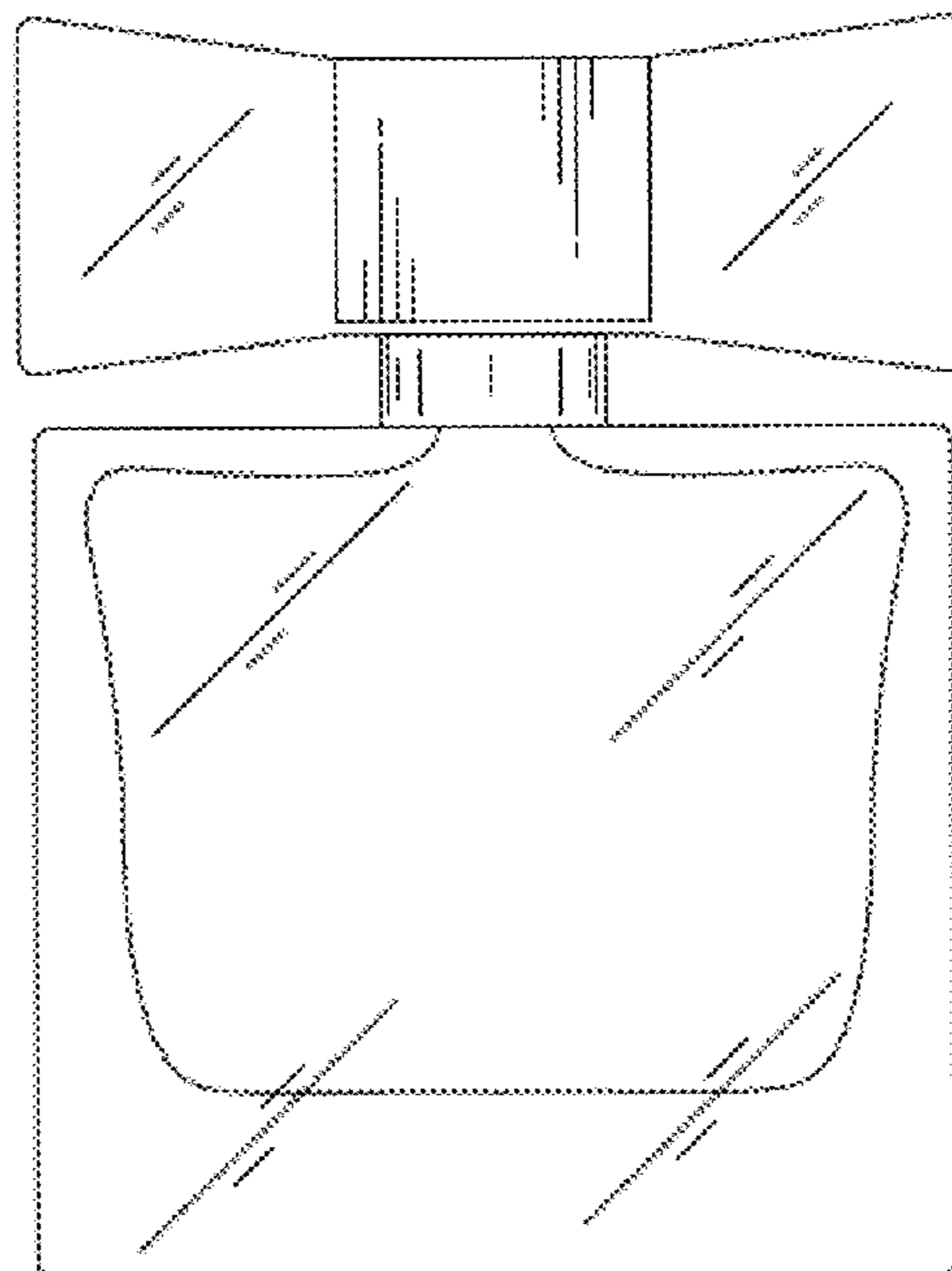
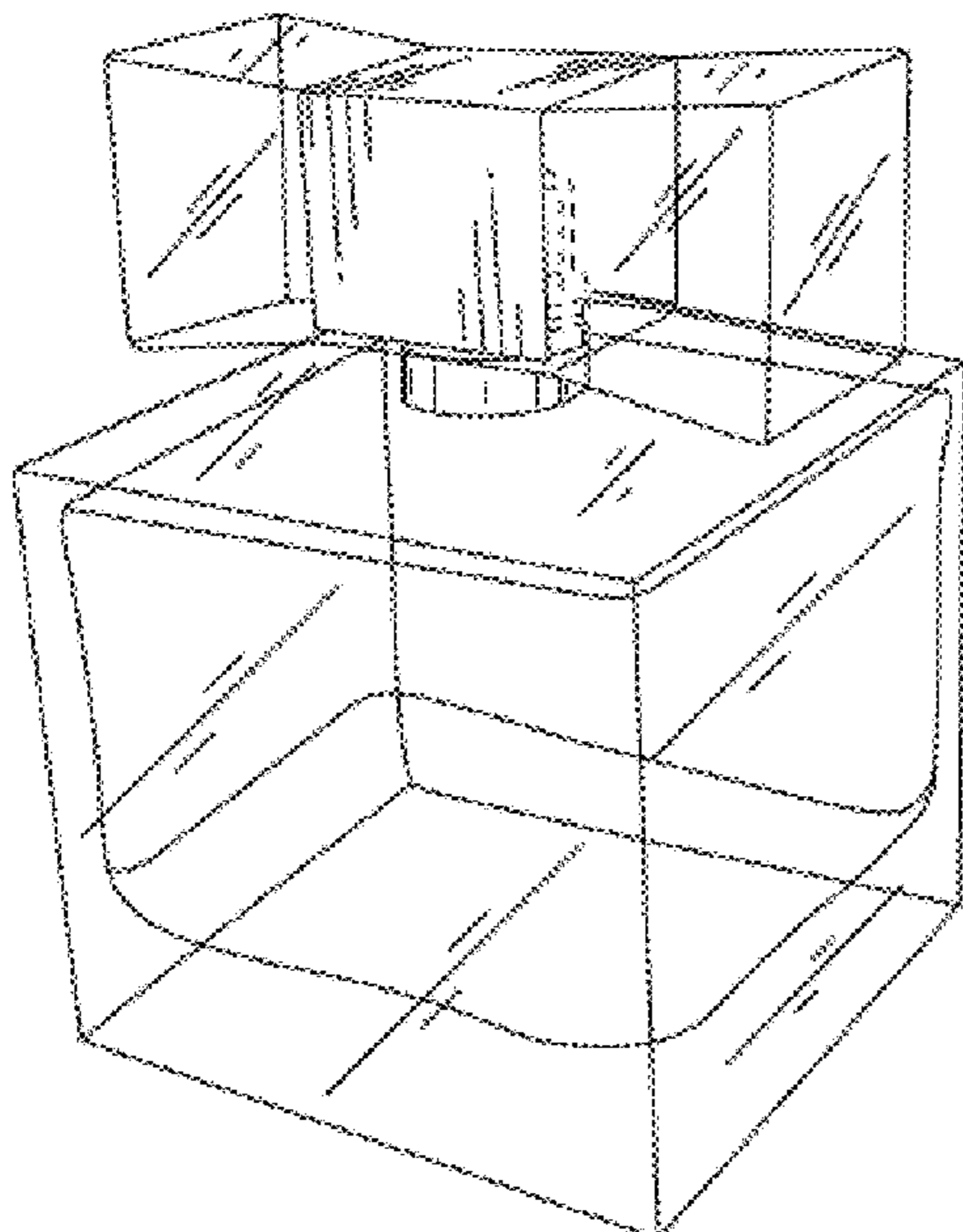
(57) **CLAIM**

I claim the ornamental design for a fragrance bottle with cap, as shown and described.

DESCRIPTION

FIG. 1 is a top, front, right side perspective view of a fragrance bottle with cap of the present invention;
FIG. 2 is a front elevation view thereof;
FIG. 3 is a rear elevation view thereof;
FIG. 4 is a side elevation view thereof;
FIG. 5 is the opposing side elevation view thereof; and,
FIG. 6 is a top plan view thereof.
The broken lines in the drawings illustrate the portions of the fragrance bottle with cap that form no part of the claim.

1 Claim, 6 Drawing Sheets



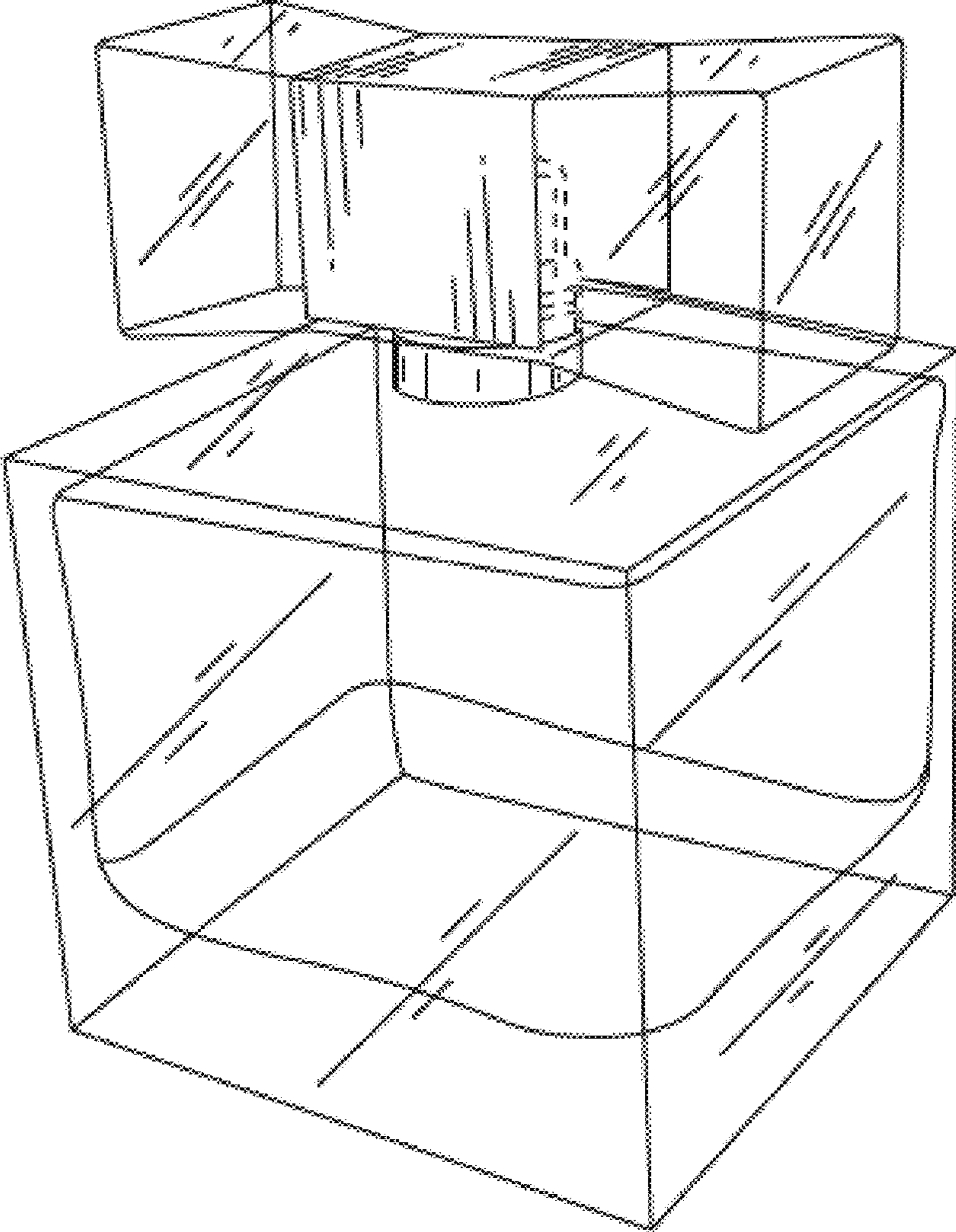


FIG. 1

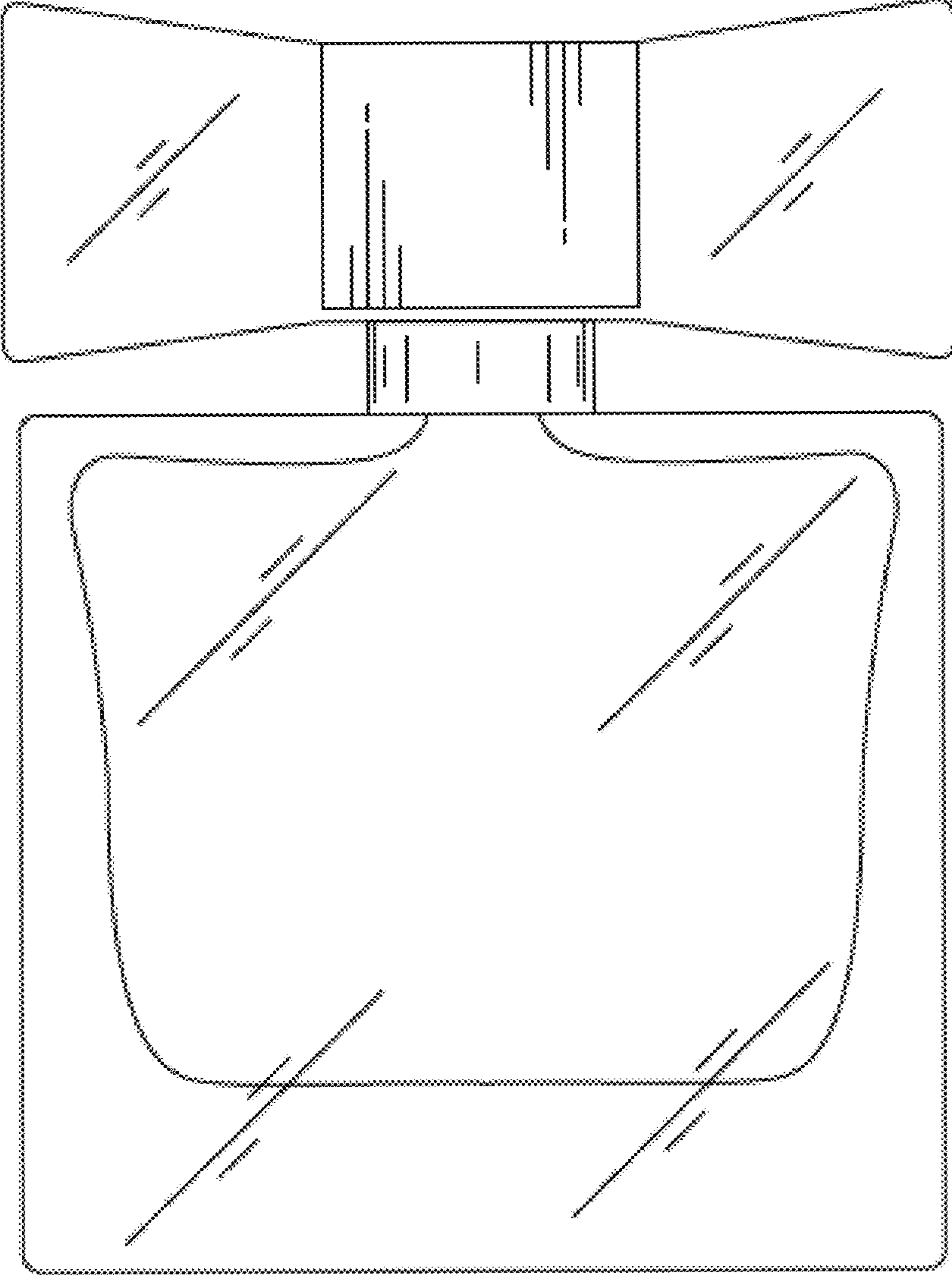


FIG. 2

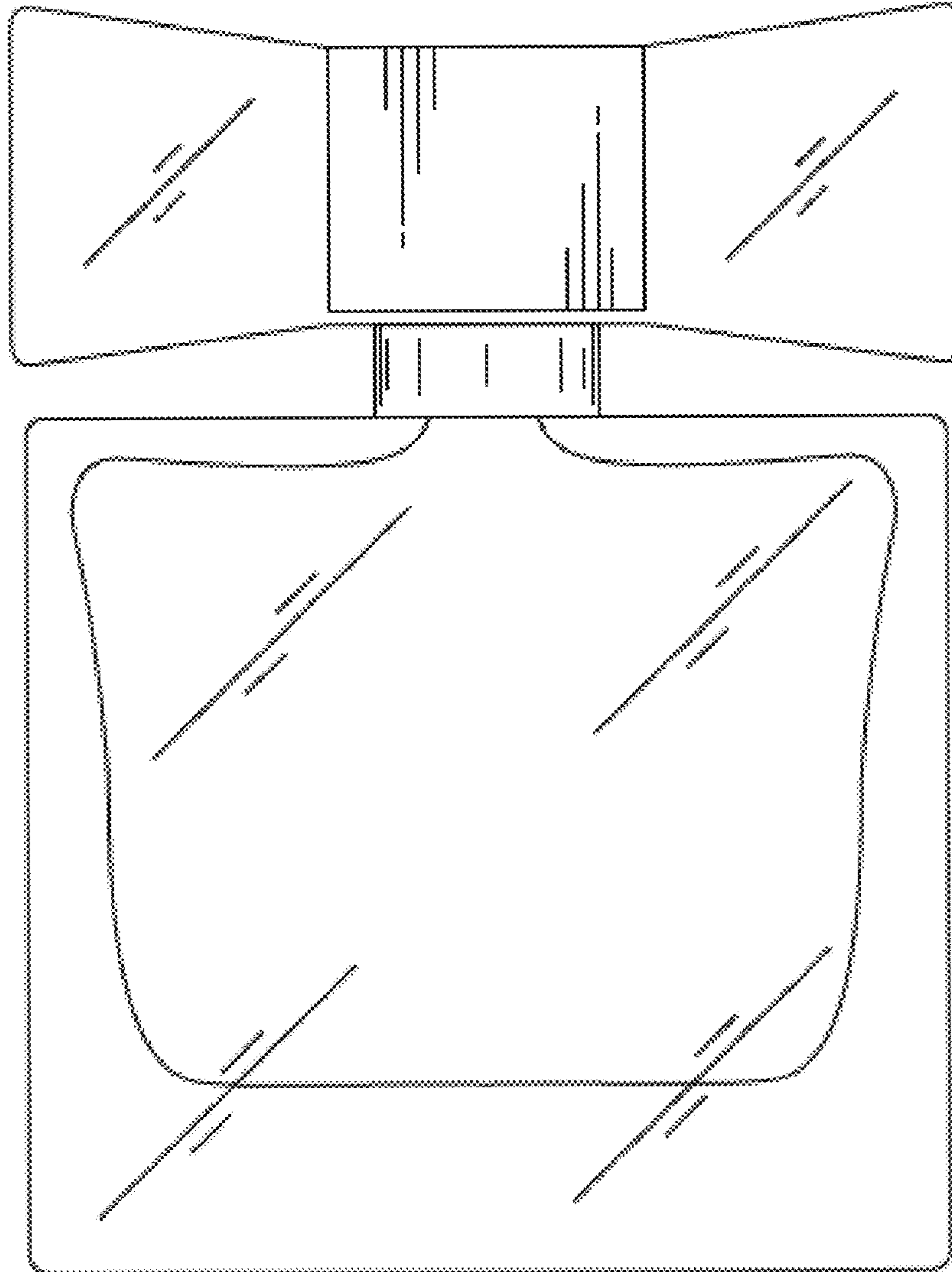


FIG. 3

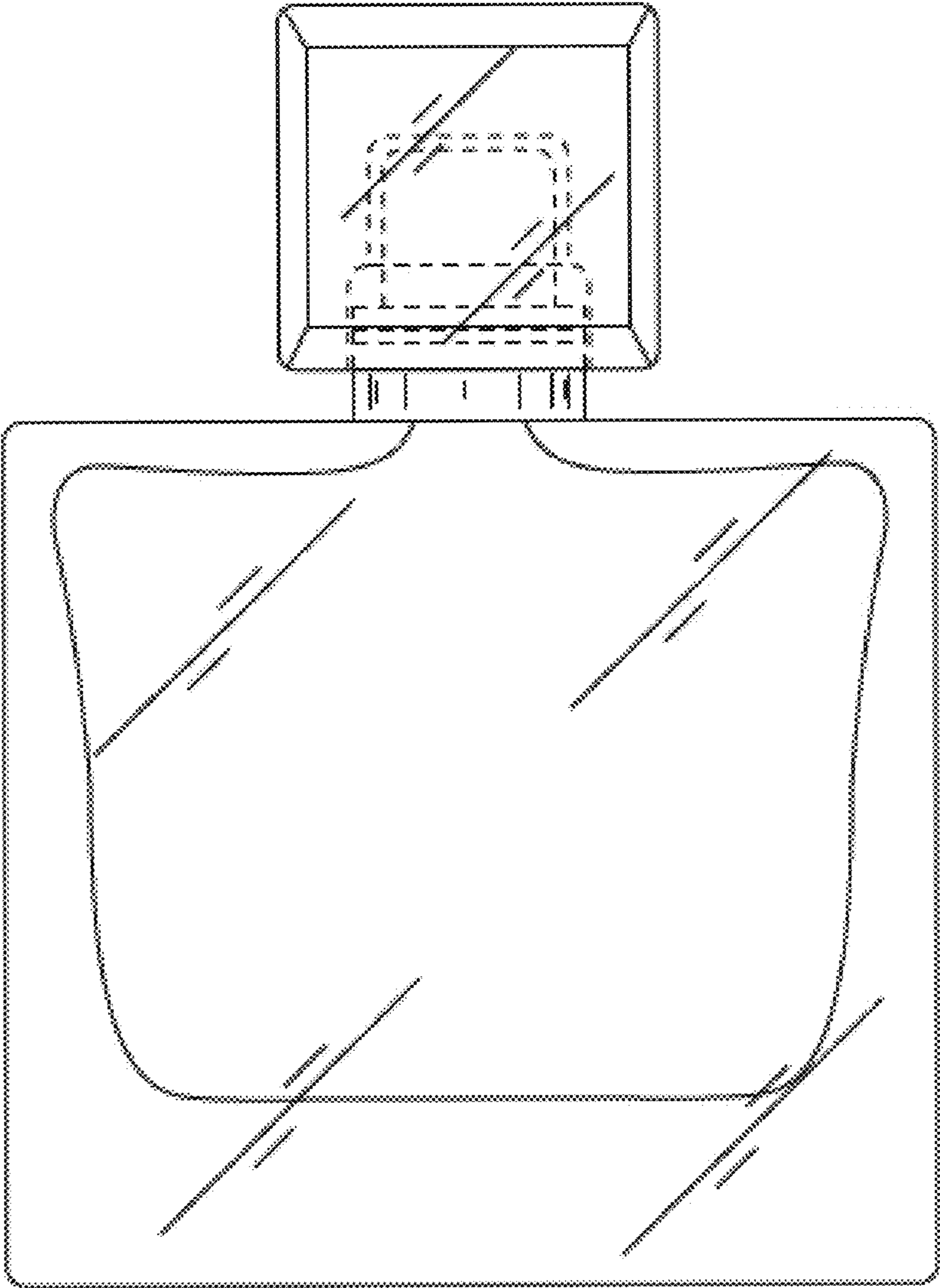


FIG. 4

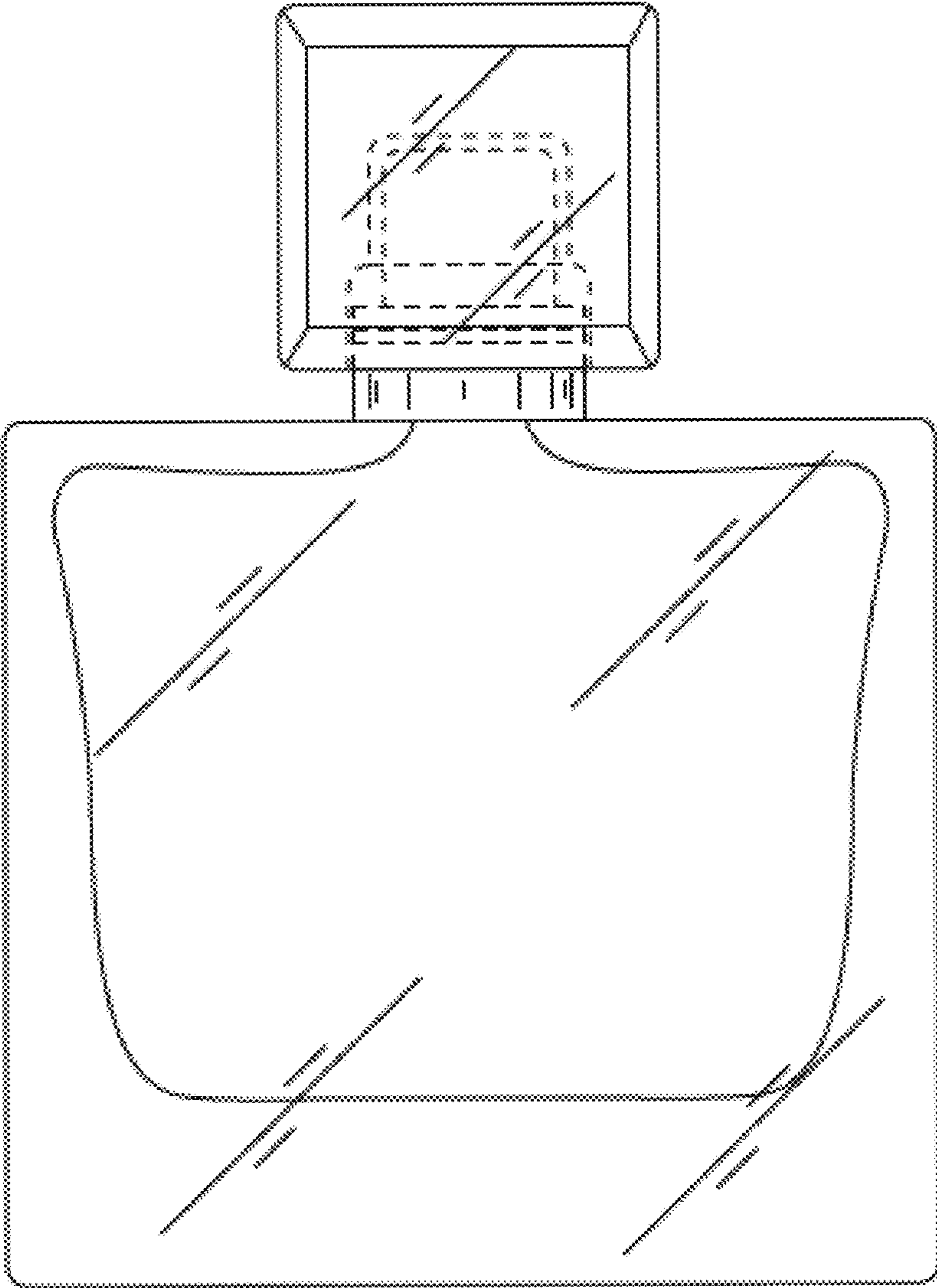


FIG. 5

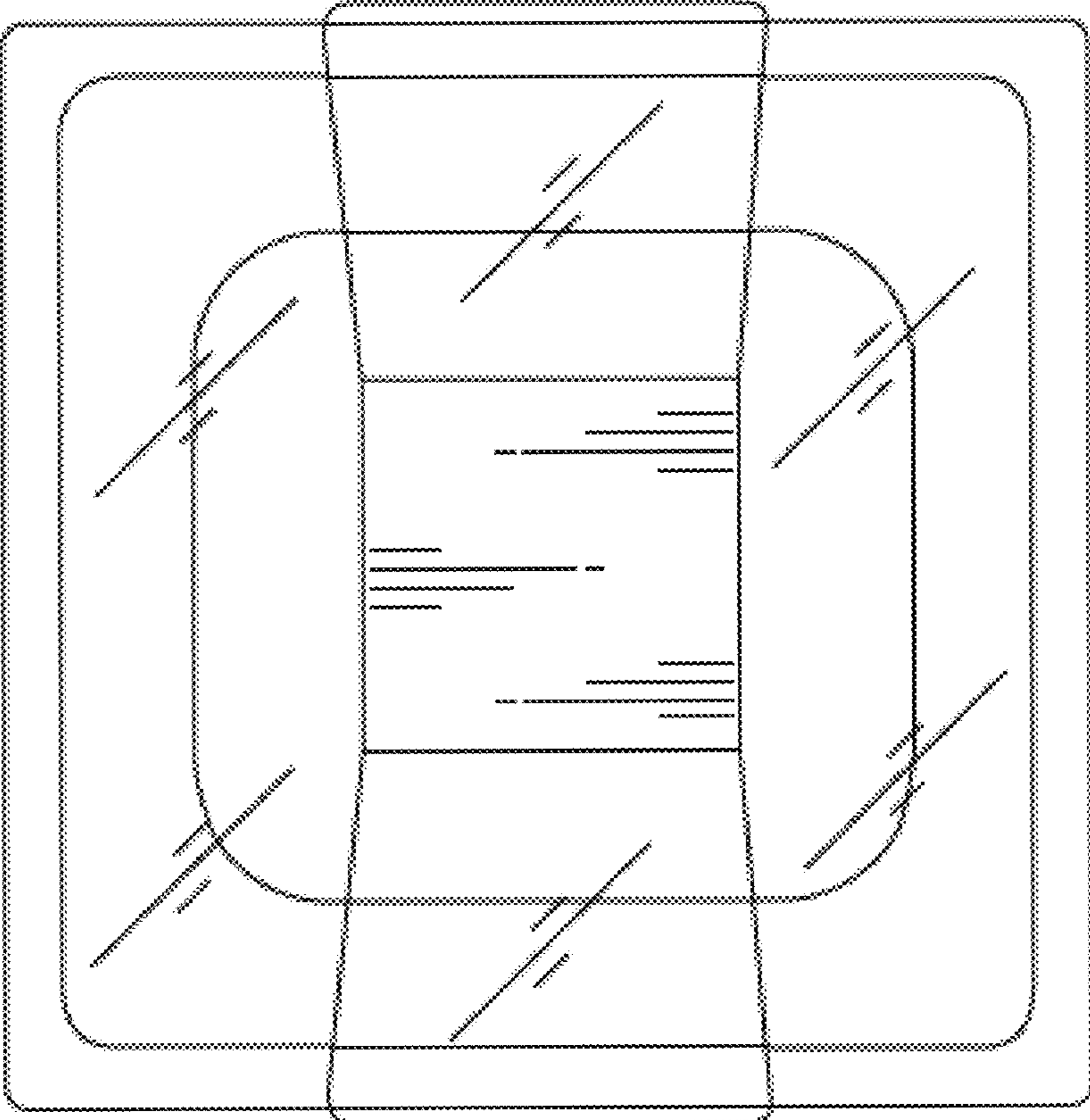


FIG. 6