



US00D777578S

(12) **United States Design Patent** (10) **Patent No.:** **US D777,578 S**
Kunst (45) **Date of Patent:** **** Jan. 31, 2017**

(54) **BOTTLE**
(71) Applicant: **PepsiCo, Inc.**, Purchase, NY (US)
(72) Inventor: **Roland Kunst**, Bucharest (RO)
(73) Assignee: **PepsiCo, Inc.**, Purchase, NY (US)
(**) Term: **15 Years**
(21) Appl. No.: **29/546,545**
(22) Filed: **Nov. 23, 2015**
(51) **LOC (10) Cl.** **09-01**
(52) **U.S. Cl.**
USPC **D9/538; D9/552; D9/557**
(58) **Field of Classification Search**
USPC D9/682, 686-687, 689, 691-694,
725,D9/763, 772-773, 775, 779, 516,
519,D9/521-522, 526, 529-530,
537-543,D9/549-550, 552, 226, 559-561,
565, 571,D9/574-575; 215/379, 381-385;
220/660, 669, 220/675
See application file for complete search history.

(56) **References Cited**
U.S. PATENT DOCUMENTS
D101,483 S * 10/1936 Mott D9/537
D162,254 S * 2/1951 Steuer D9/552 X
D212,276 S * 9/1968 Lodding et al. D9/538
D305,984 S * 2/1990 Alberghini D9/552 X
D358,547 S * 5/1995 Darr D9/552 X
D406,065 S * 2/1999 Cheng D9/552 X
D429,156 S * 8/2000 Williams D9/538 X
D432,019 S * 10/2000 Steward D9/538 X
D443,519 S * 6/2001 Warner D9/538
D462,013 S * 8/2002 Iizuka D9/538
D474,977 S * 5/2003 Yourist D9/557 X

D522,873 S * 6/2006 Forget D9/557 X
D527,265 S * 8/2006 Brandt D9/516
D568,754 S * 5/2008 Sequeira D9/565 X
D570,701 S * 6/2008 Miller D9/556 X
D594,344 S * 6/2009 Walsh D9/565 X
D600,559 S * 9/2009 Lepoitevin D9/557 X
D602,782 S * 10/2009 Lepoitevin D9/538 X
D603,711 S * 11/2009 Lepoitevin D9/557 X
D604,169 S * 11/2009 Melossi D9/538
D662,824 S * 7/2012 Perez D9/516
D677,574 S * 3/2013 Barnard D9/571 X
D677,575 S * 3/2013 Barnard D9/571 X
D699,114 S * 2/2014 Fleischhacker D9/516
D699,580 S * 2/2014 Eaton D9/537 X

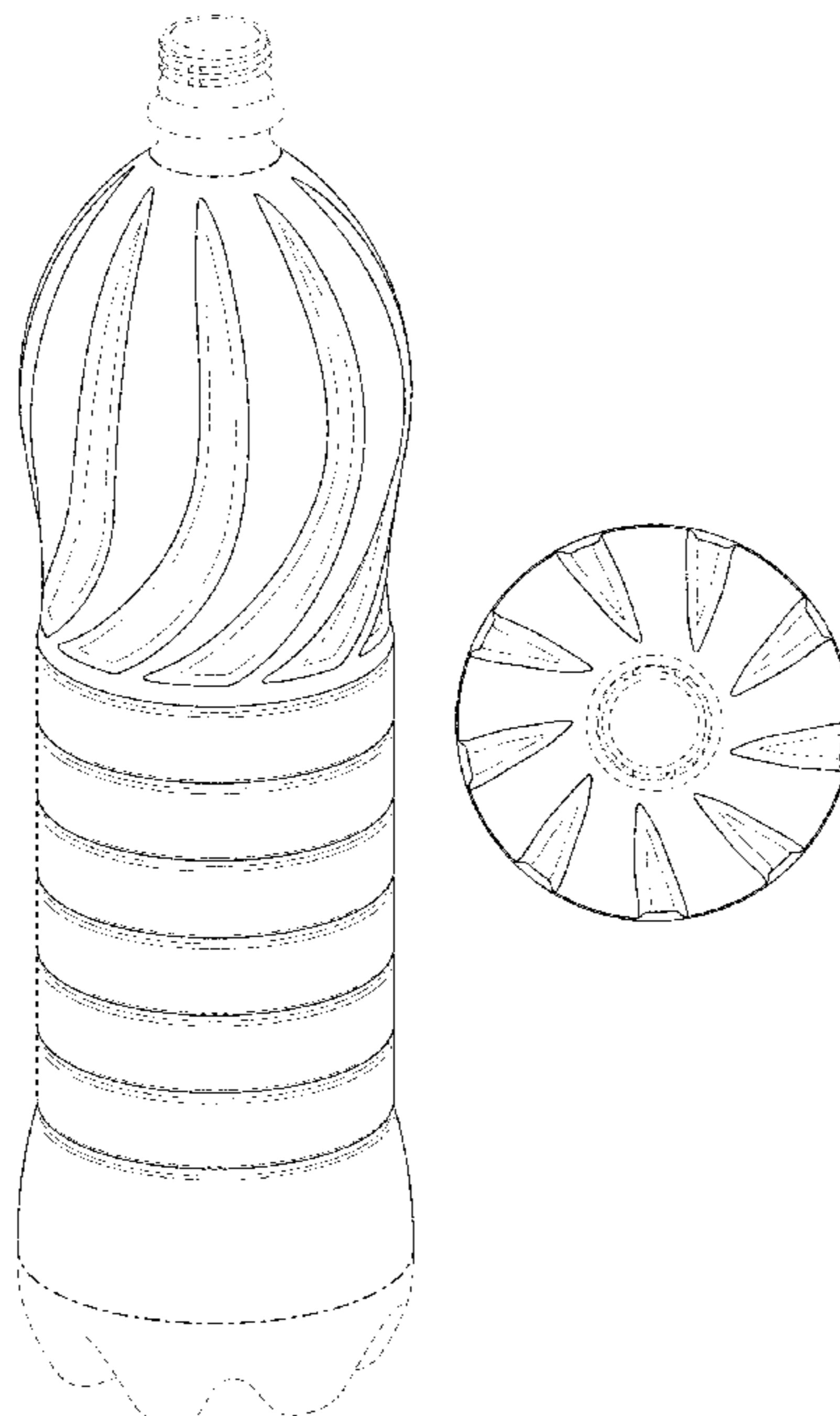
* cited by examiner

Primary Examiner — Carol P Rademaker
(74) *Attorney, Agent, or Firm* — Sterne, Kessler,
Goldstein & Fox P.L.L.C.

(57) **CLAIM**
The ornamental design for a bottle, as shown and described.

DESCRIPTION
FIG. 1 is a top front perspective view of a bottle showing the claimed design;
FIG. 2 is a front view thereof;
FIG. 3 is a rear view thereof;
FIG. 4 is a left side view thereof;
FIG. 5 is a right side view thereof;
FIG. 6 is a top view thereof; and,
FIG. 7 is a bottom view thereof.
The dashed broken lines in the figures show portions of the bottle that form no part of the claimed design.
The dot-dash broken lines in the figures show boundaries that form no part of the claimed design.

1 Claim, 6 Drawing Sheets



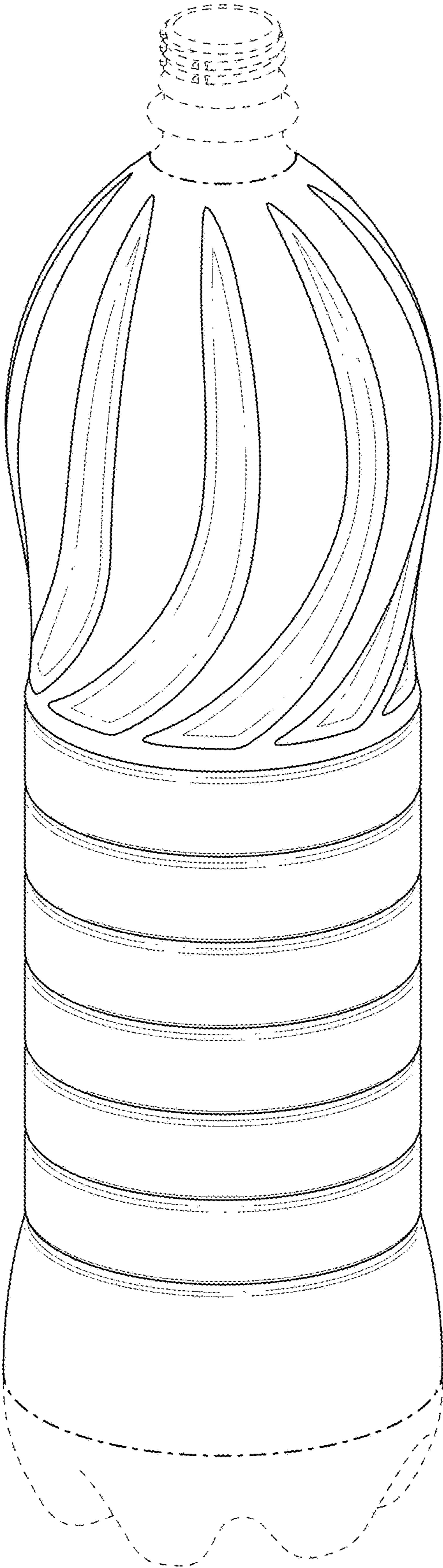


FIG. 1

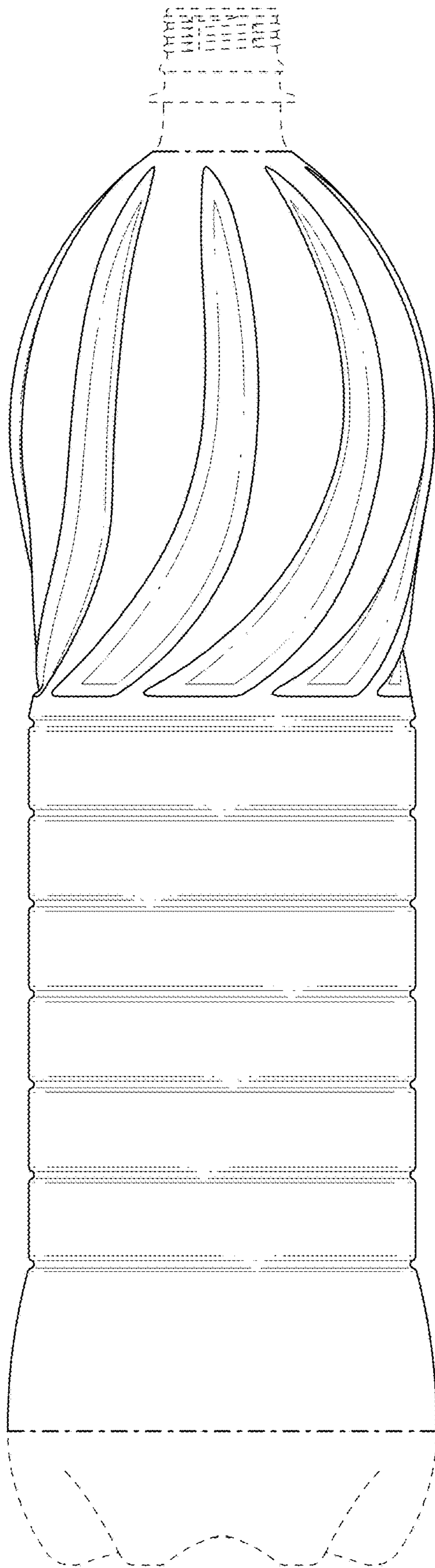


FIG. 2

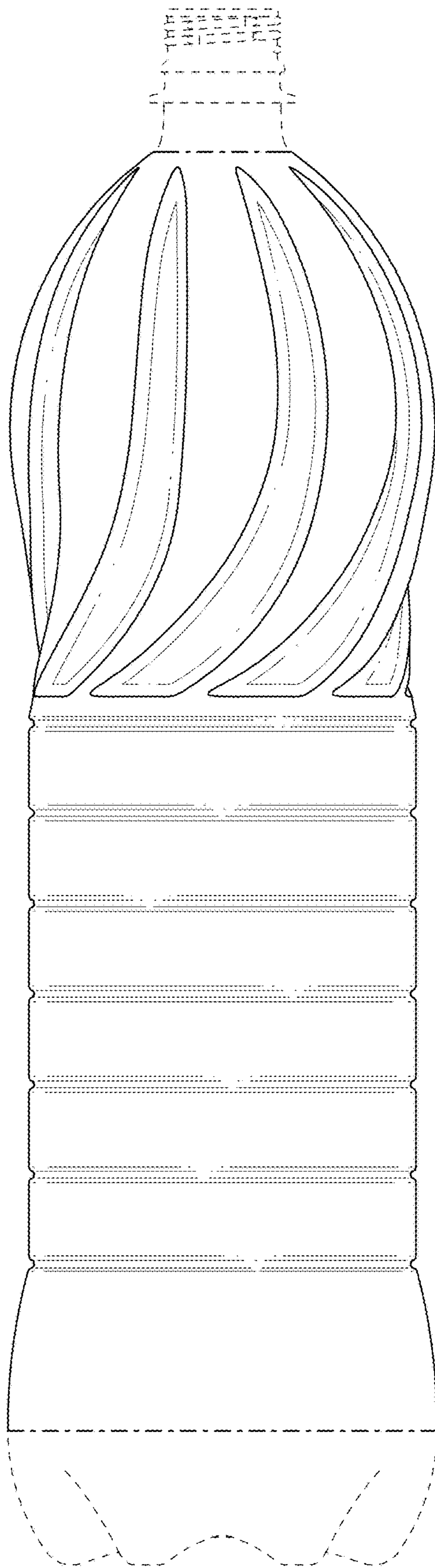


FIG. 3

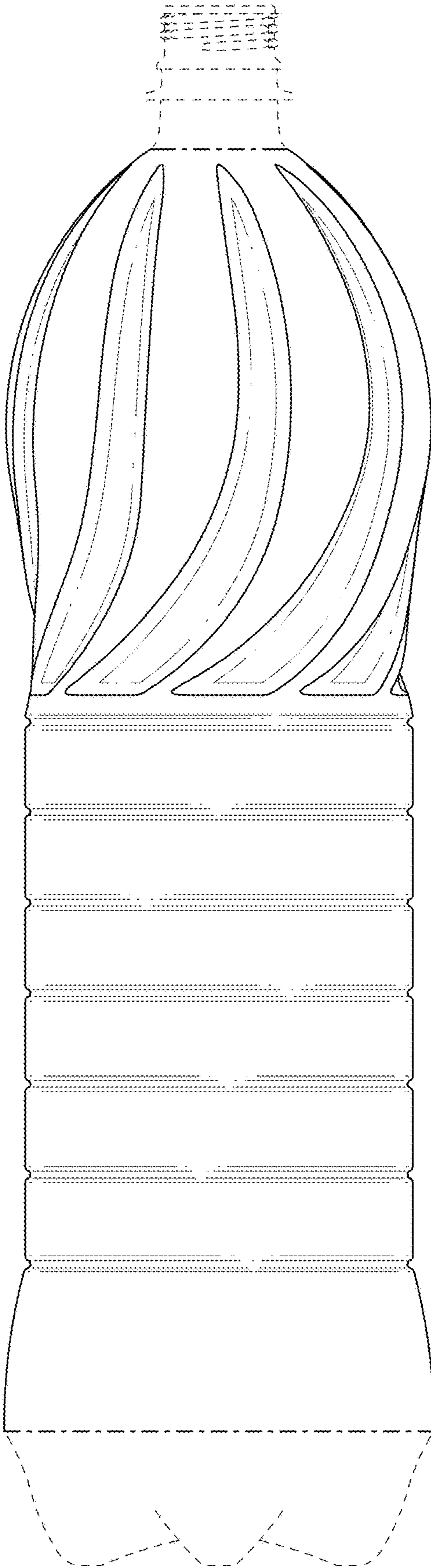


FIG. 4

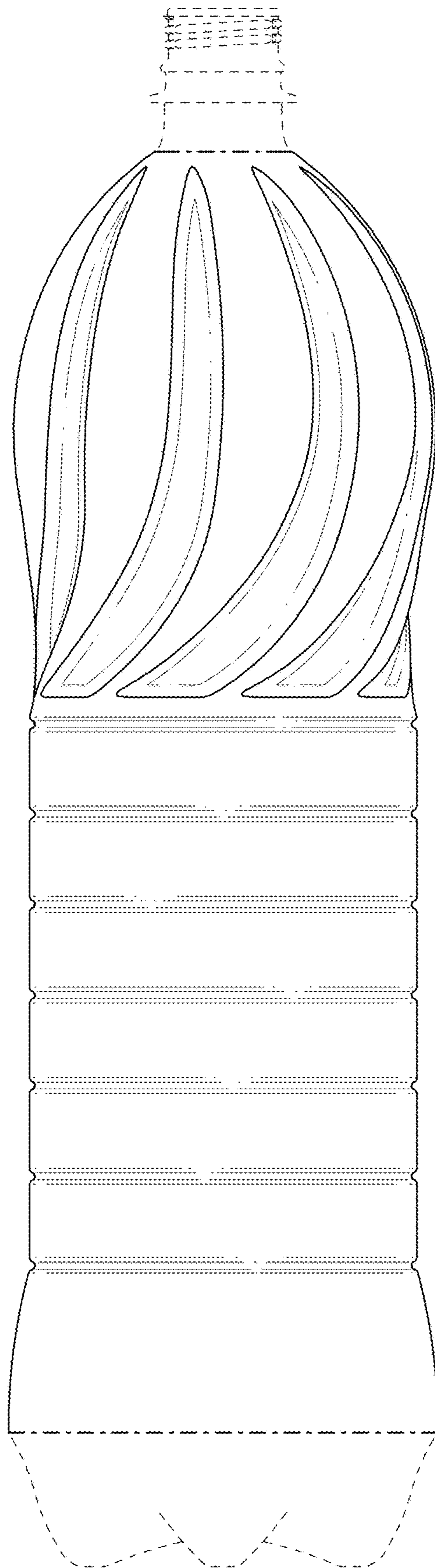


FIG. 5

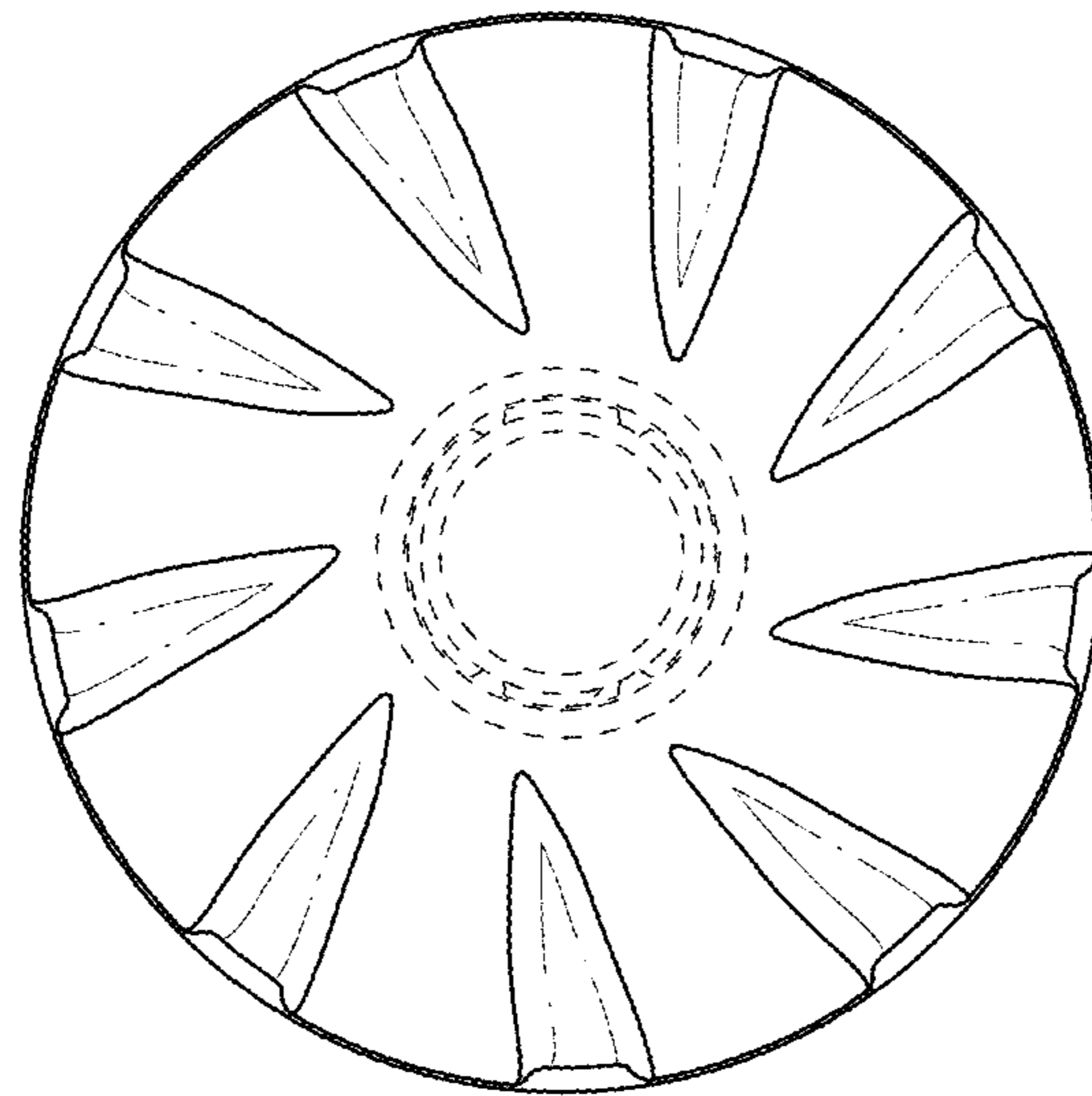


FIG. 6

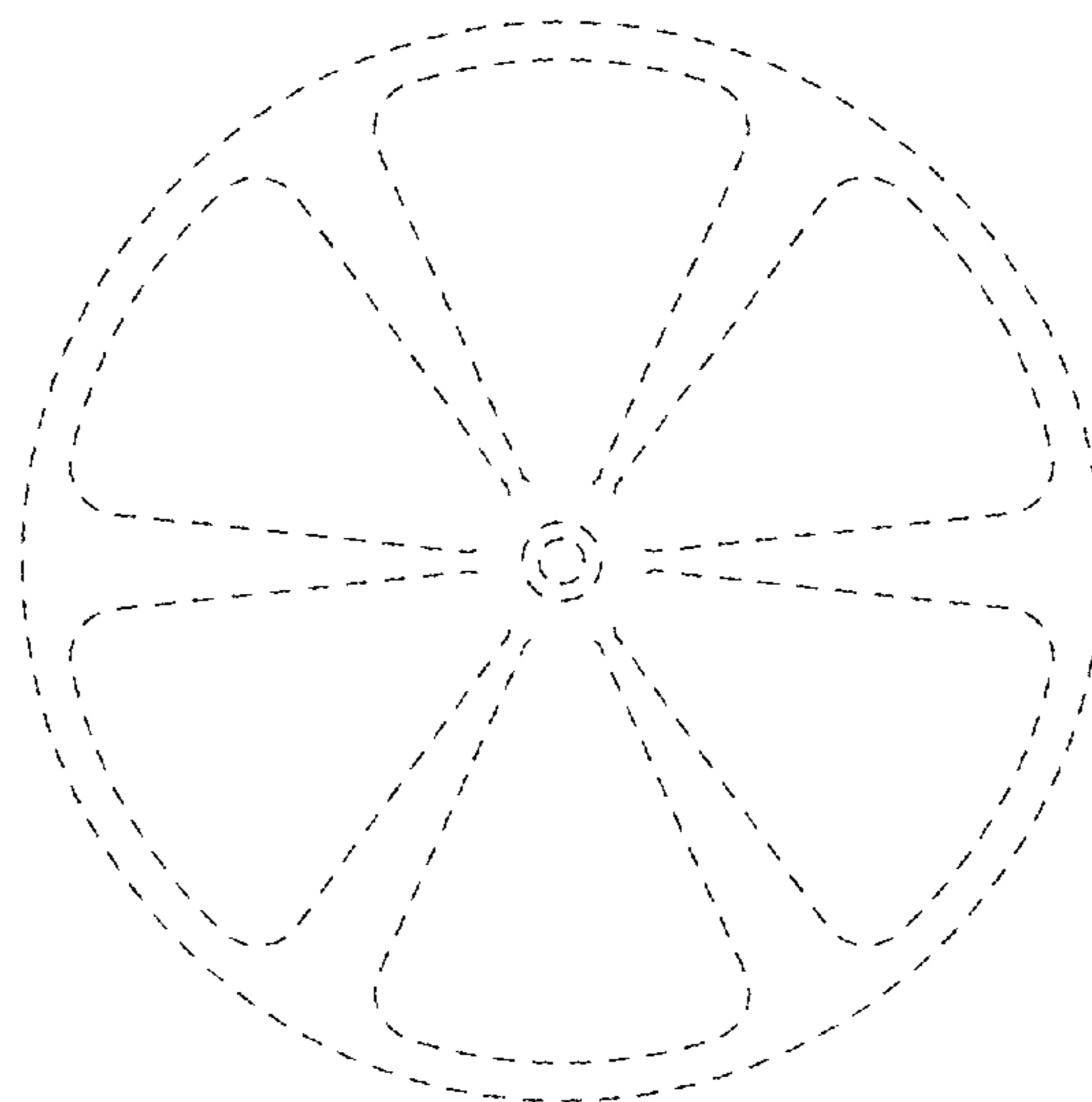


FIG. 7