



US00D777575S

(12) **United States Design Patent**
Harada et al.

(10) **Patent No.: US D777,575 S**

(45) **Date of Patent: ** Jan. 31, 2017**

(54) **CONTAINER**

(71) Applicant: **KOSE CORPORATION**, Tokyo (JP)

(72) Inventors: **Henri Harada**, Tokyo (JP); **Rieko Morita**, Tokyo (JP)

(73) Assignee: **KOSE CORPORATION**, Tokyo (JP)

(**) Term: **15 Years**

(21) Appl. No.: **29/541,837**

(22) Filed: **Oct. 8, 2015**

(30) **Foreign Application Priority Data**

May 29, 2015 (JP) 2015-012057

(51) **LOC (10) Cl.** **09-01**

(52) **U.S. Cl.**
USPC **D9/500**

(58) **Field of Classification Search**
USPC D9/434, 435, 436, 449, 454, 500-505,
D9/516, 529, 549, 558, 682, 686, 688,
D9/690, 715; D28/4, 73, 76, 82, 85, 91.1
CPC B65D 83/205; B65D 83/384; B65D 83/75;
B65D 2543/00092

See application file for complete search history.

(56) **References Cited**

U.S. PATENT DOCUMENTS

D129,943 S * 10/1941 Petzold D28/85
D344,017 S * 2/1994 Lang D9/504
D486,270 S * 2/2004 Kurumada D28/76
D499,648 S * 12/2004 Lewis D9/501
D518,382 S * 4/2006 McGuinness D28/89
D522,695 S * 6/2006 Desdoigts D28/82

D613,604 S * 4/2010 Rowland D9/504
D634,212 S * 3/2011 Kruetzkamp D9/690
D658,071 S * 4/2012 Lanz D9/600
D683,238 S * 5/2013 You D9/688
D703,052 S * 4/2014 Park D9/503
D703,053 S * 4/2014 Park D9/503
D715,156 S * 10/2014 Park D9/688
D735,052 S * 7/2015 Hwang D9/690
D735,514 S * 8/2015 Cheung D7/300
D751,415 S * 3/2016 Otani D9/686
D763,086 S * 8/2016 Kalagher D9/504
2014/0174965 A1 * 6/2014 Herling A47J 31/18
206/216
2015/0291312 A1 * 10/2015 Kalagher B65D 81/3227
215/6

* cited by examiner

Primary Examiner — Ian Simmons

Assistant Examiner — Keith Frank

(74) *Attorney, Agent, or Firm* — Bacon & Thomas, PLLC

(57) **CLAIM**

The ornamental design for a container, as shown and described.

DESCRIPTION

FIG. 1 is a perspective view of a container showing our new design;
FIG. 2 is a perspective view showing the lid removed thereof;
FIG. 3 is a front elevation view thereof;
FIG. 4 is a top plan view thereof;
FIG. 5 is a bottom plan view thereof;
FIG. 6 is a right side elevation view thereof; and,
FIG. 7 is a sectional view taken along the direction of line 7-7 of FIG. 3.

1 Claim, 7 Drawing Sheets

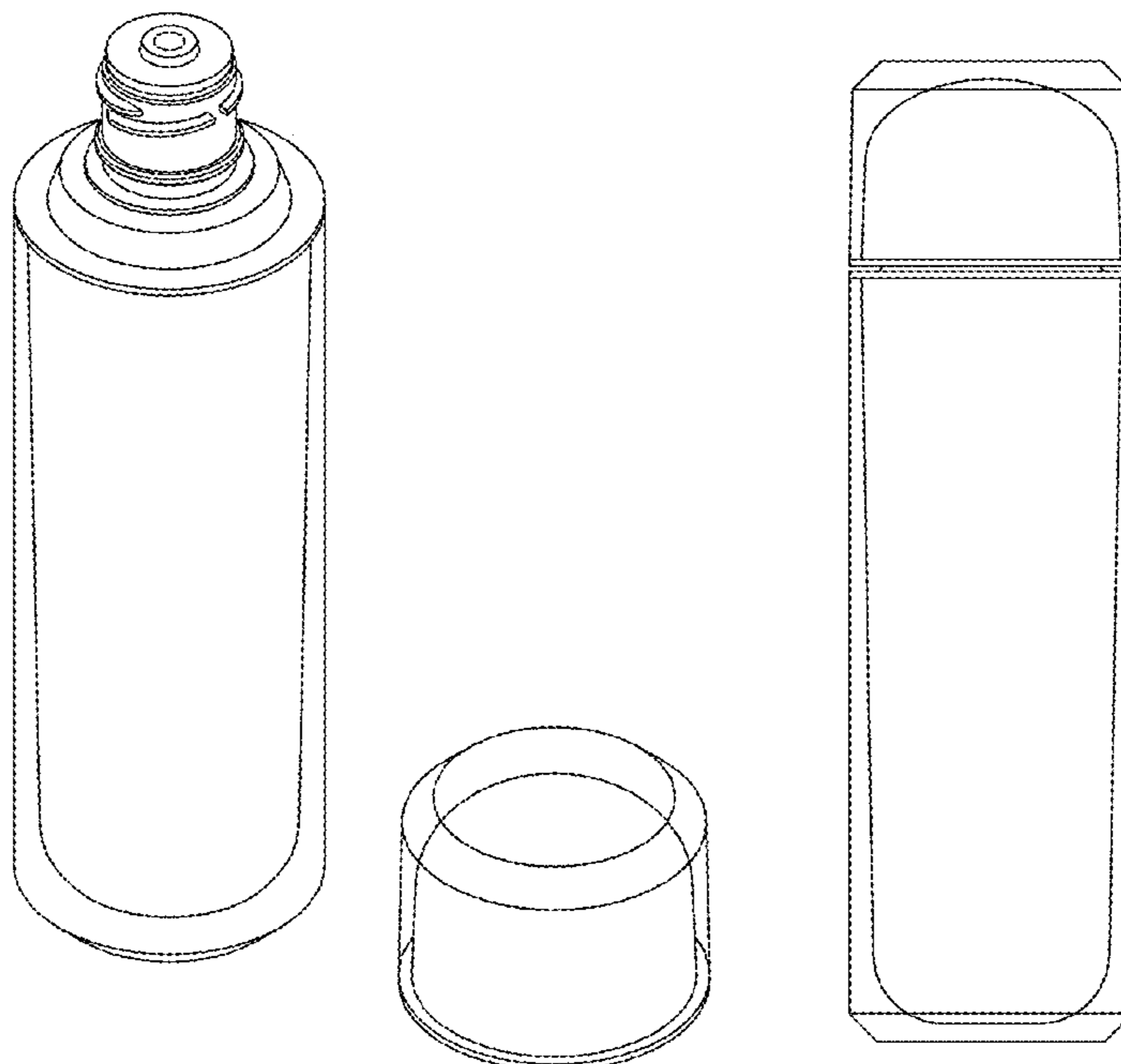


FIG. 1

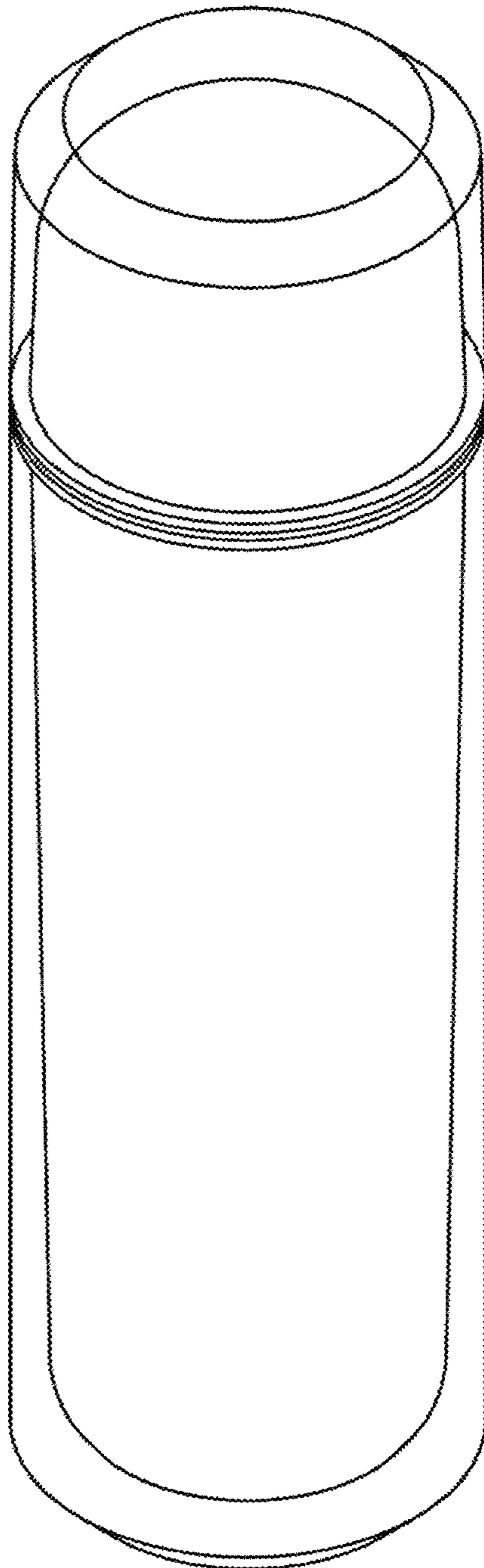


FIG. 2

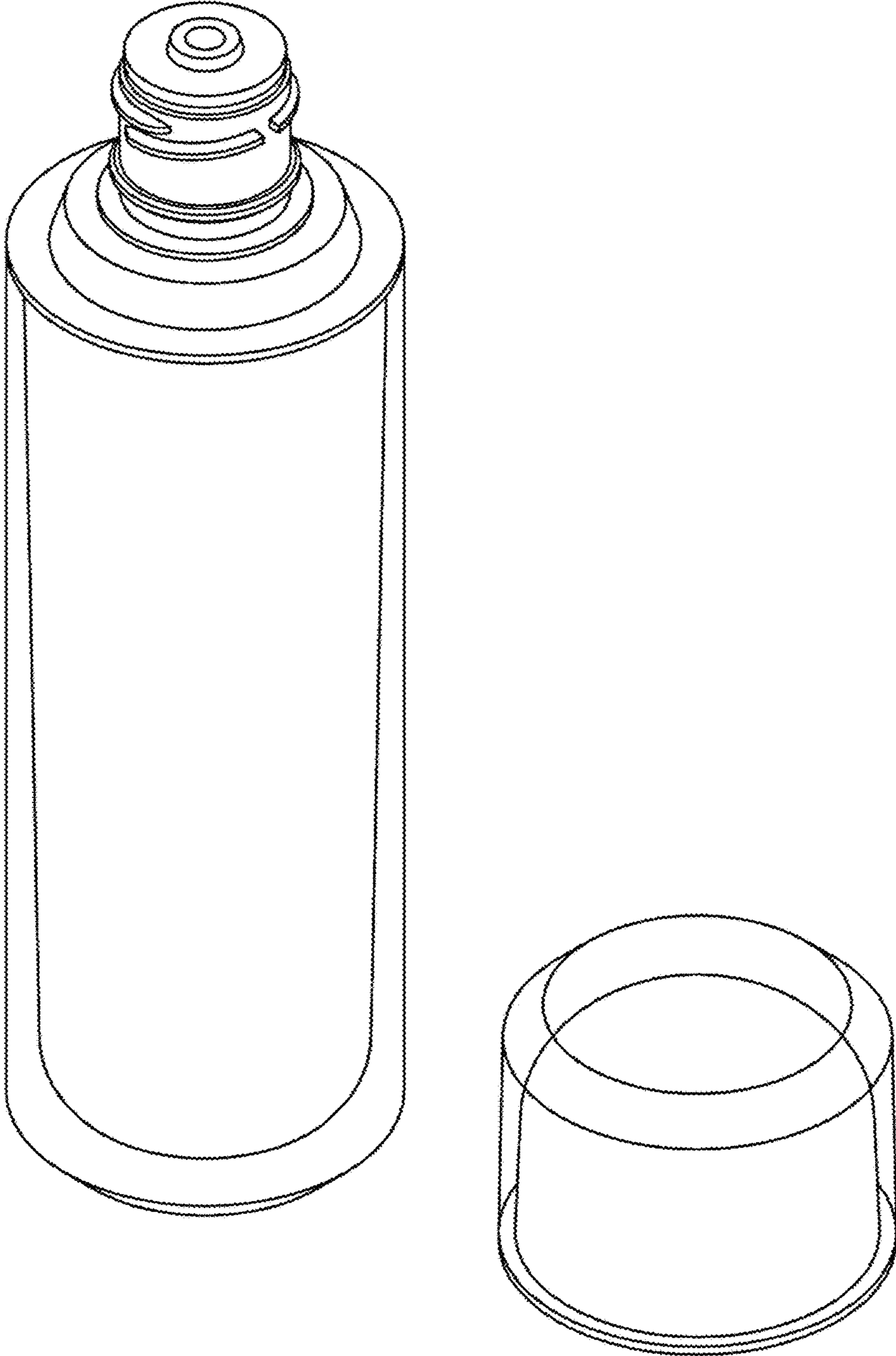


FIG. 3

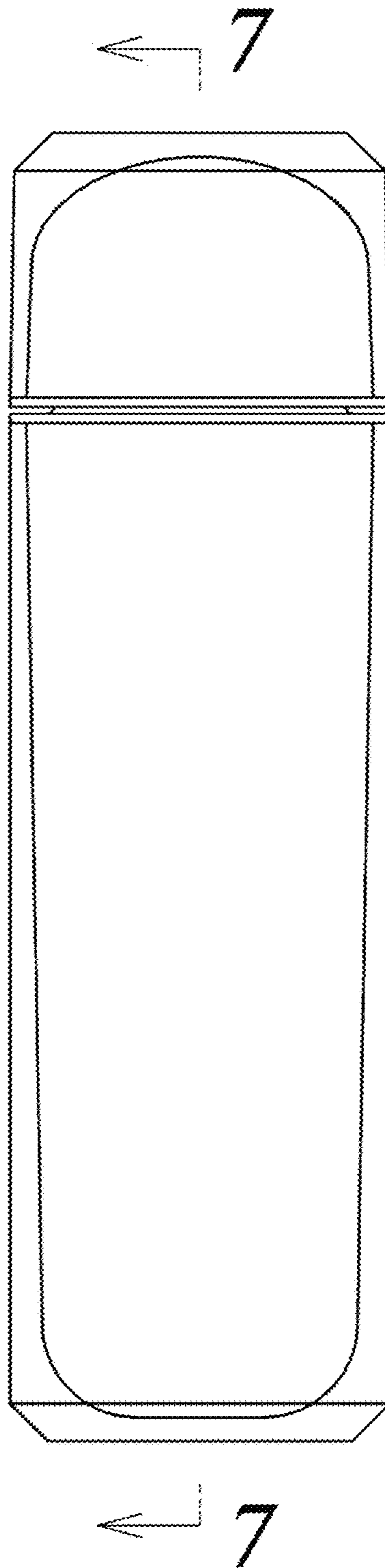


FIG. 4

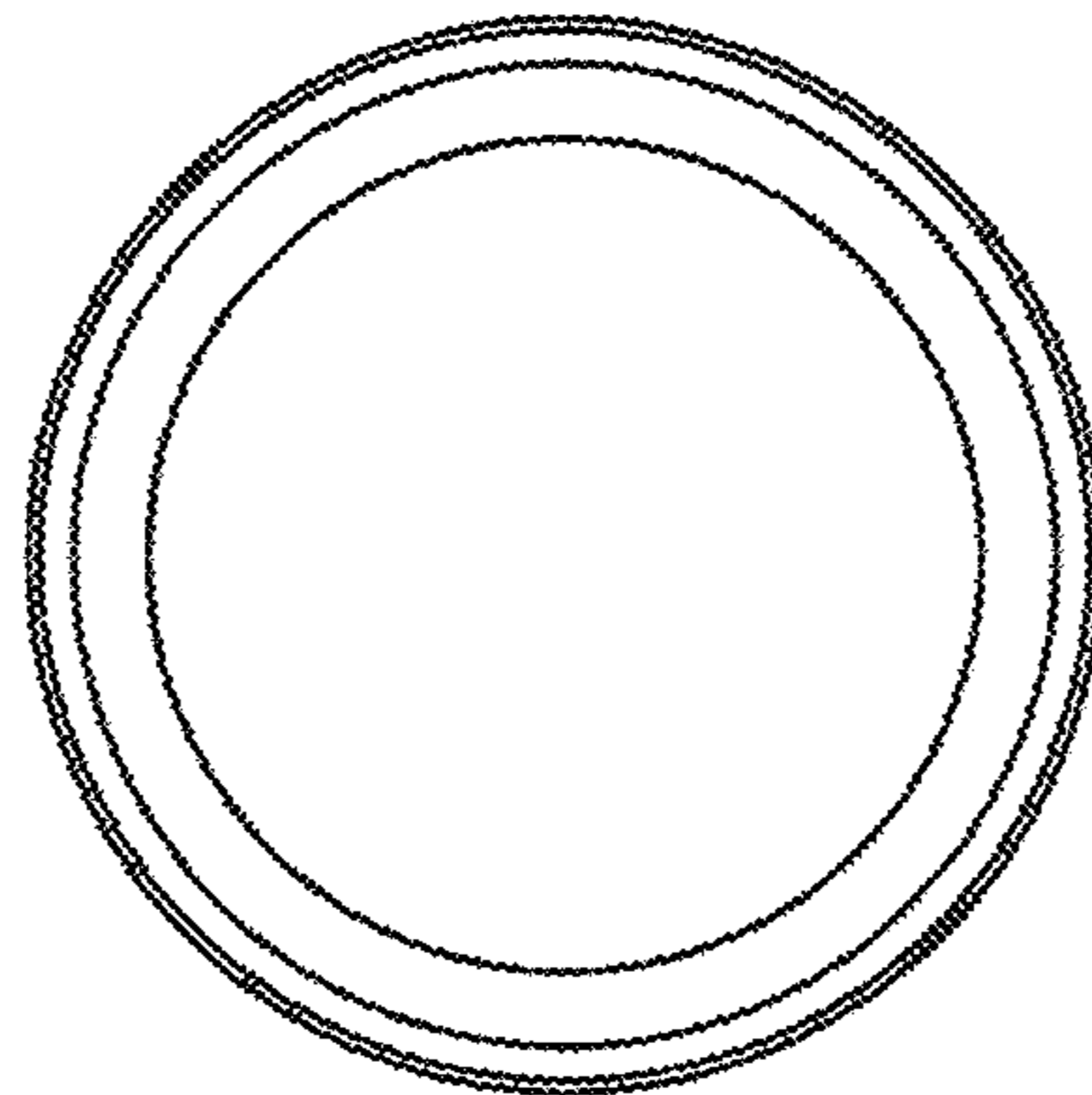


FIG. 5

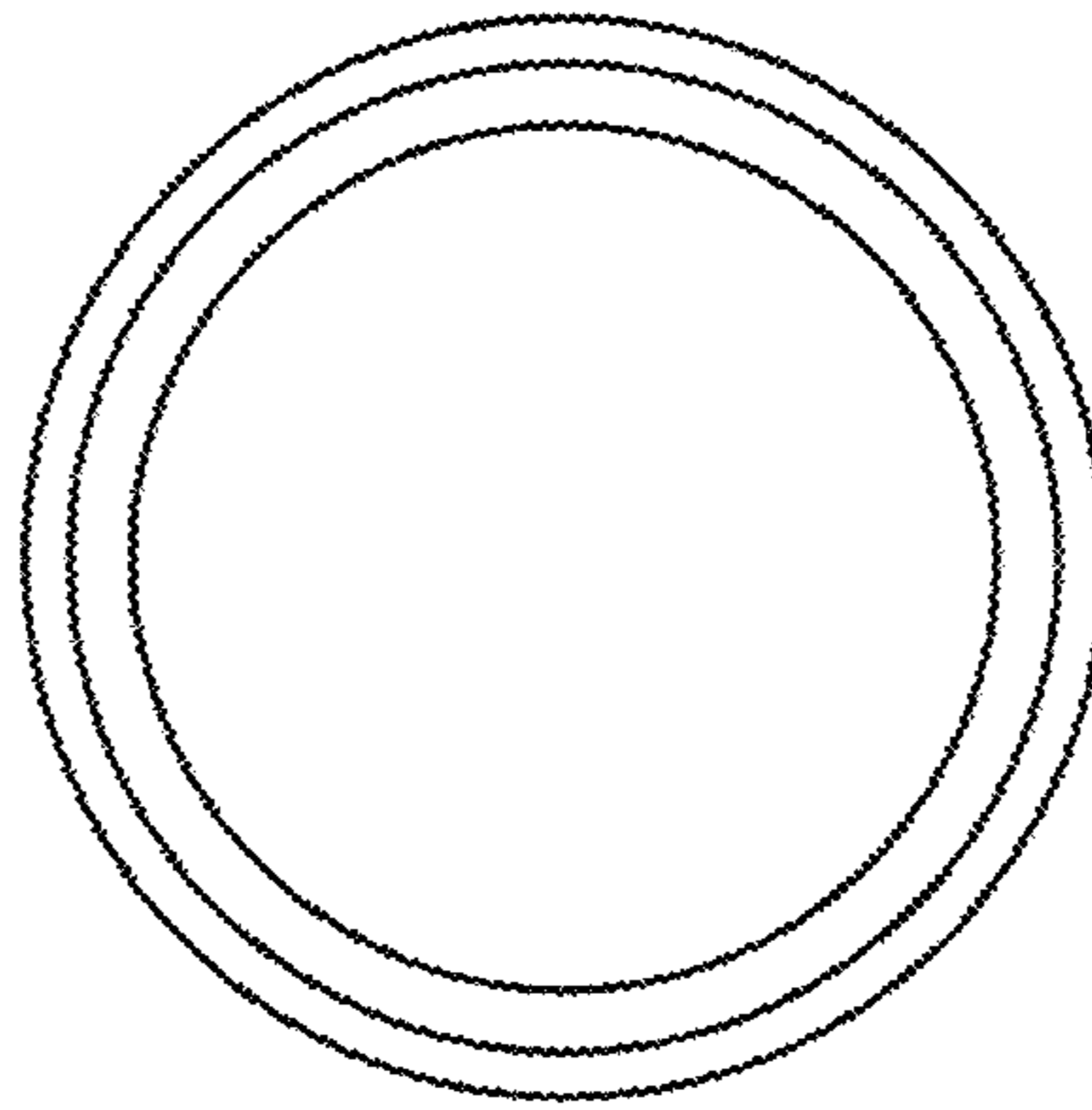


FIG. 6

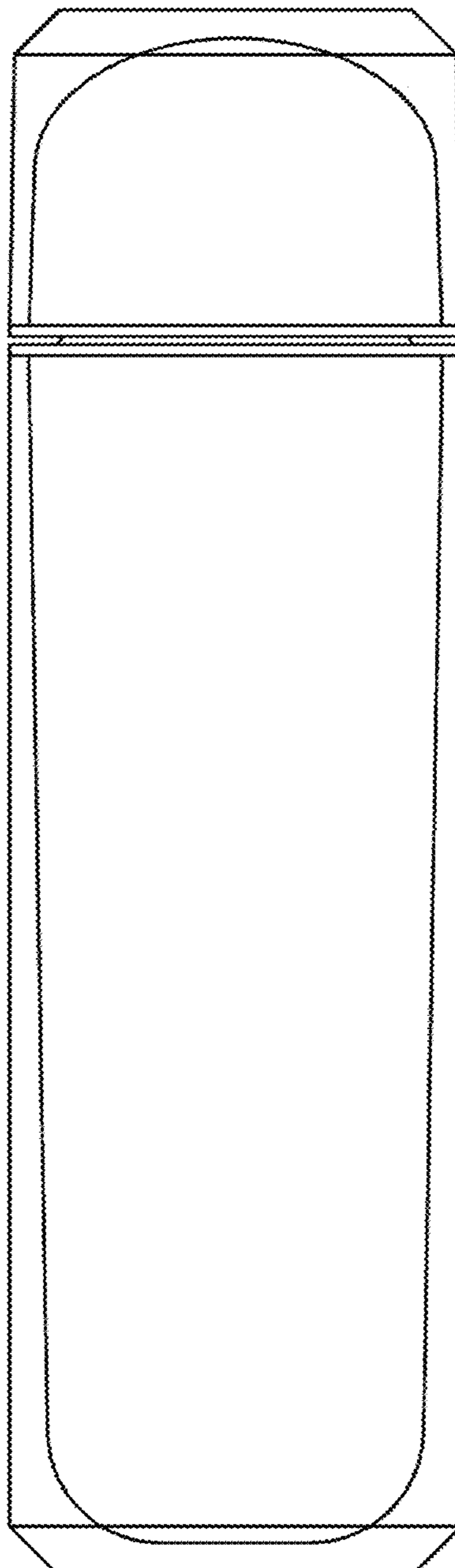


FIG. 7

