



US00D777566S

(12) **United States Design Patent** (10) **Patent No.:** **US D777,566 S**
Kozlowski (45) **Date of Patent:** **** Jan. 31, 2017**

(54) **BRACKET**
(71) Applicant: **Oval Fire Products Corporation**,
Wheaton, IL (US)
(72) Inventor: **Kevin M. Kozlowski**, Wheaton, IL
(US)
(73) Assignee: **Oval Fire Products Corporation**,
Wheaton, IL (US)
(**) Term: **14 Years**
(21) Appl. No.: **29/523,857**
(22) Filed: **Apr. 14, 2015**
(51) **LOC (10) Cl.** **08-08**
(52) **U.S. Cl.**
USPC **D8/382**
(58) **Field of Classification Search**
USPC D8/16, 18, 71, 73, 349, 354, 363, 366,
D8/371, 373, 374, 380, 381, 382, 394,
D8/499; D29/125, 126, 127, 129, 130;
D6/572
CPC A62C 13/76; A62C 13/78; A62C 13/003;
A62C 33/04; A62C 31/28
See application file for complete search history.

D249,956 S * 10/1978 Potts D24/232
D301,976 S * 7/1989 Greenhut 211/66
D306,689 S * 3/1990 Hamann D6/535
D325,564 S * 4/1992 Lemke D13/154
D336,482 S * 6/1993 Graham D15/141
D369,957 S * 5/1996 Blanton D26/138
D542,632 S * 5/2007 Hill D8/373
D560,115 S * 1/2008 Peyridieu D8/373
D696,572 S * 12/2013 Petruccelli D8/373
D705,040 S * 5/2014 Konrad D8/354
D706,610 S * 6/2014 Sakuma D8/363
D709,356 S * 7/2014 Pollard D8/373
D725,999 S * 4/2015 Wu D8/373
D727,657 S * 4/2015 Lim D6/553
D728,262 S * 5/2015 Lim D6/553
D730,162 S * 5/2015 Bastien D8/373
D736,071 S * 8/2015 Wu D8/373
D762,105 S * 7/2016 Prevost D8/349

* cited by examiner

Primary Examiner — Sandra Snapp
Assistant Examiner — Ieisha Price
(74) *Attorney, Agent, or Firm* — Richards Patent Law
P.C.

(57) **CLAIM**

The ornamental design for a bracket, as shown and described.

(56) **References Cited**

U.S. PATENT DOCUMENTS

1,540,291 A * 6/1925 Sessions A47L 13/512
248/113
2,422,891 A * 6/1947 Dickson A47L 13/512
211/65
D157,925 S * 3/1950 Todd D7/620
2,628,054 A * 2/1953 Fazakerley B60N 3/103
211/74
3,666,016 A * 5/1972 Estes A62C 13/003
169/75
4,098,343 A * 7/1978 Carroll A62C 35/02
169/26

DESCRIPTION

FIG. 1 is a perspective view of a bracket;
FIG. 2 is a front side view thereof;
FIG. 3 is a back side view thereof;
FIG. 4 is a right side view thereof;
FIG. 5 is a left side view thereof; and,
FIG. 6 is a top view thereof.
The portions of the figures that are presented in broken lines merely illustrate the environment of the design and are not part of the claimed design.

1 Claim, 6 Drawing Sheets

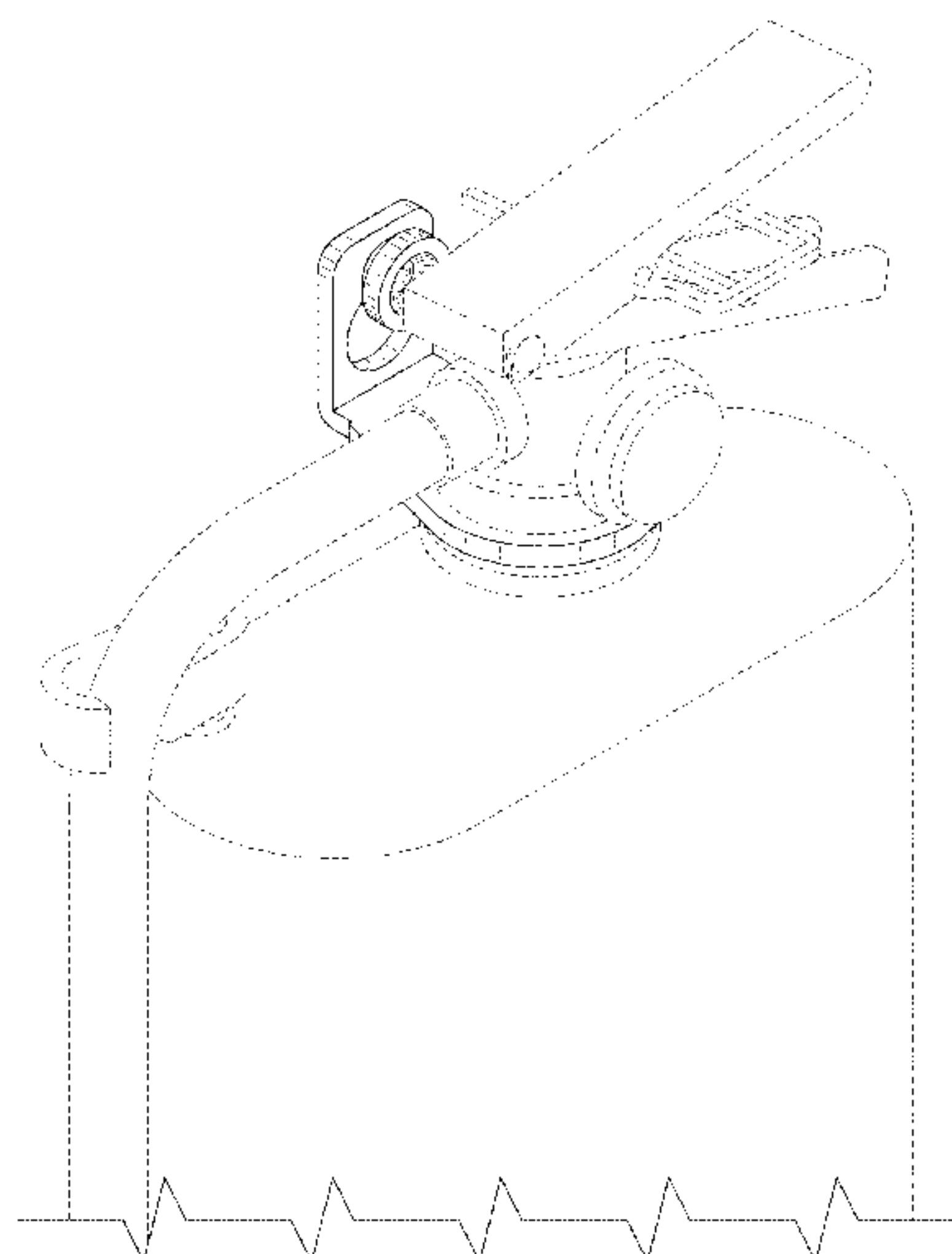


FIG. 1

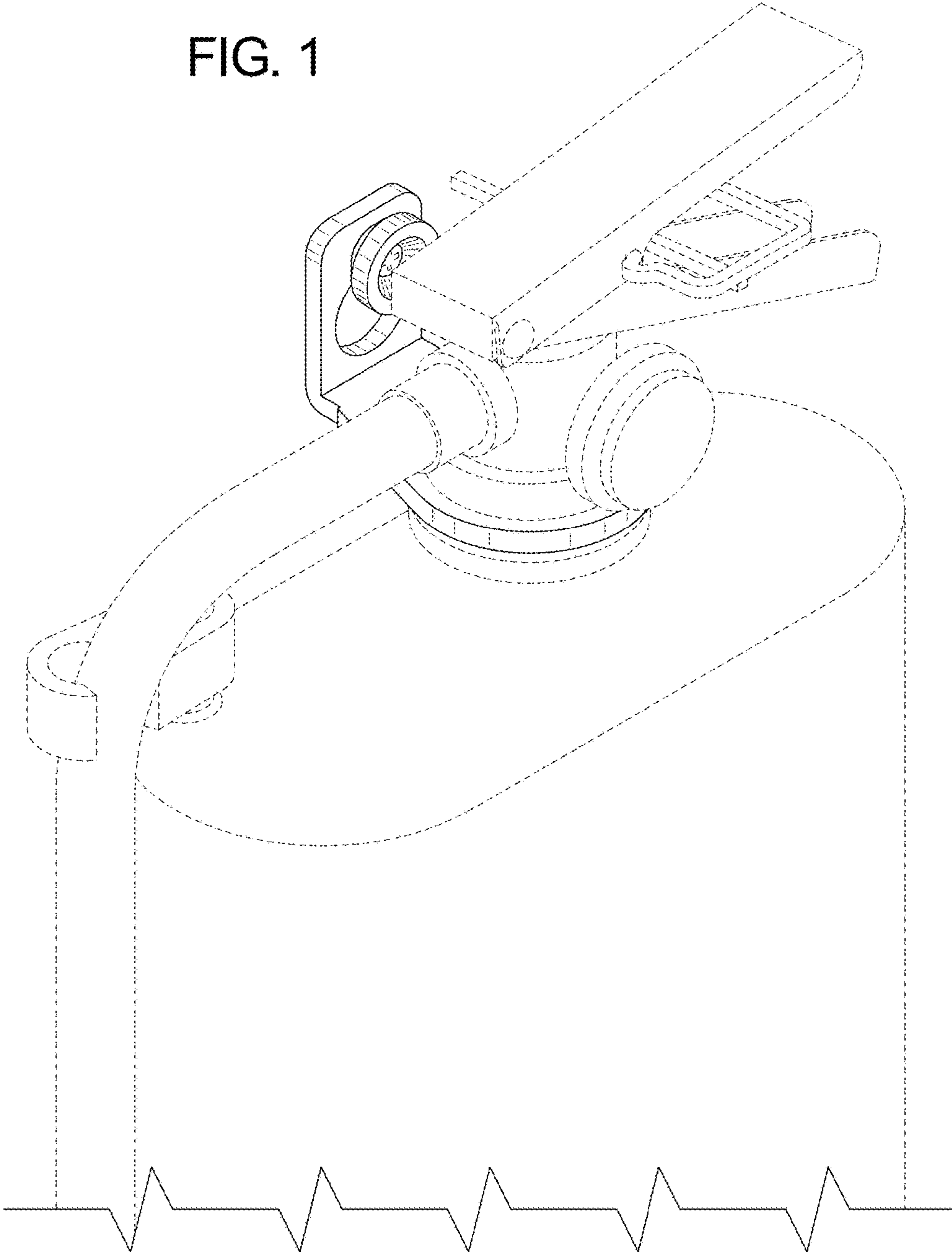


FIG. 2

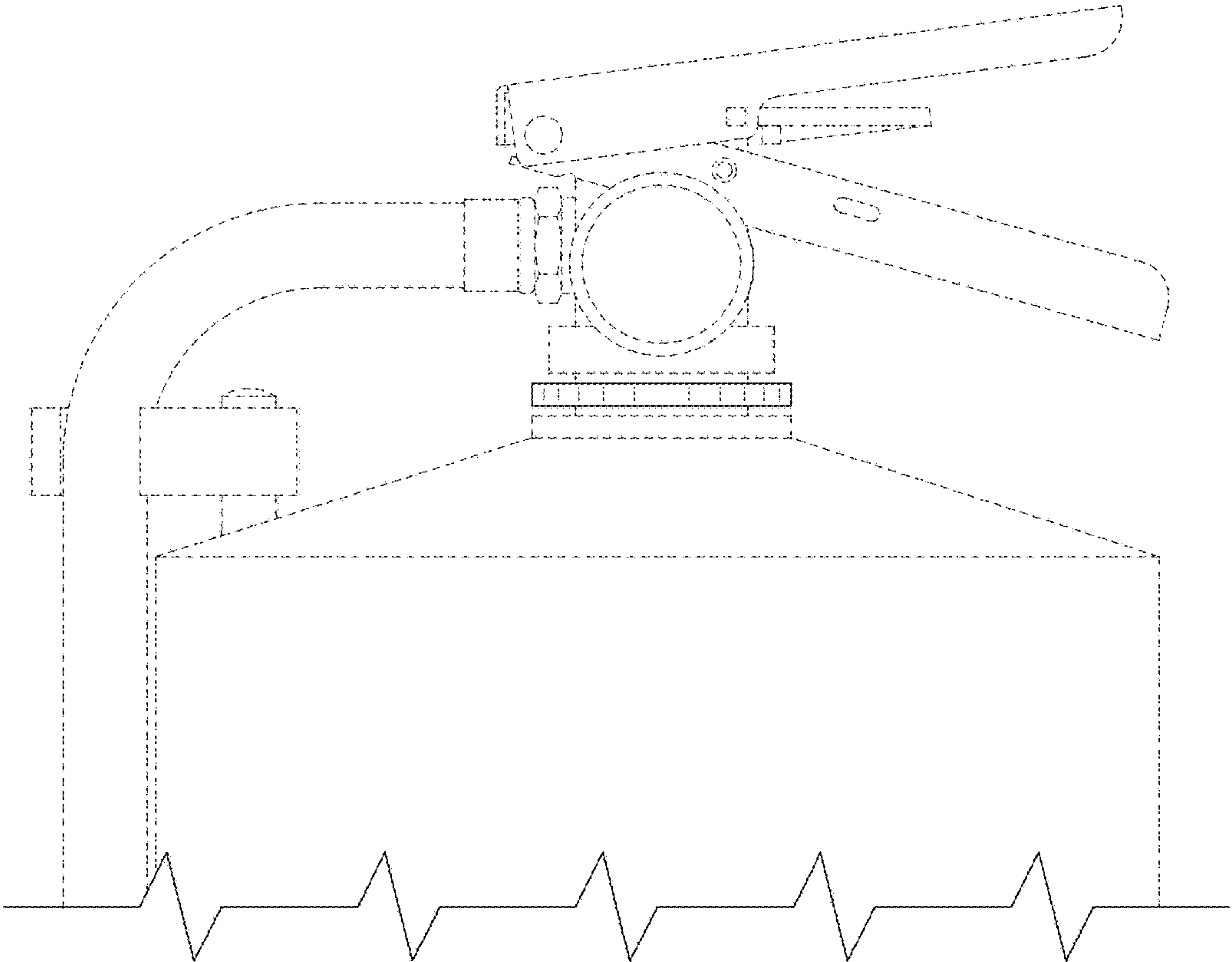


FIG. 3

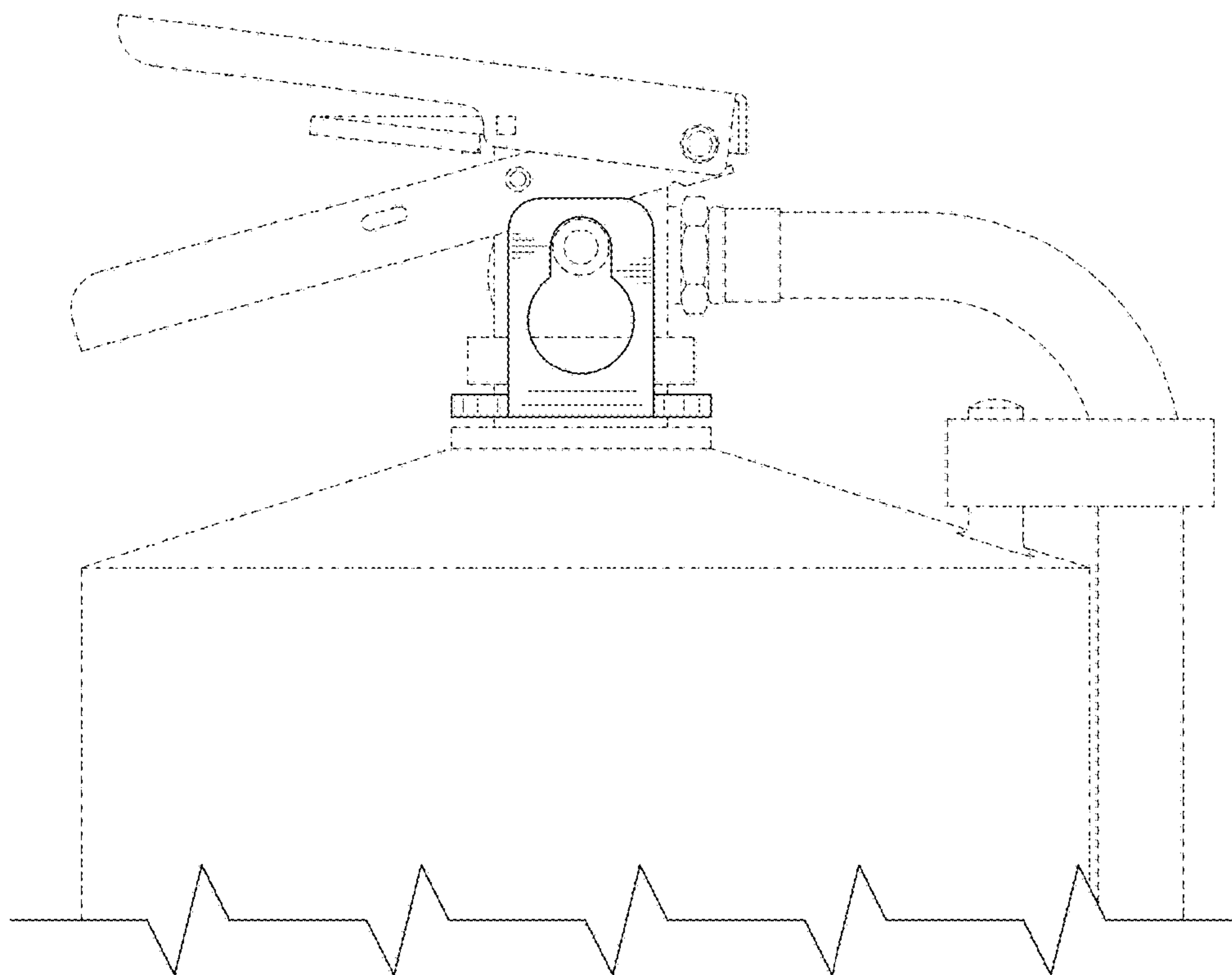


FIG. 4

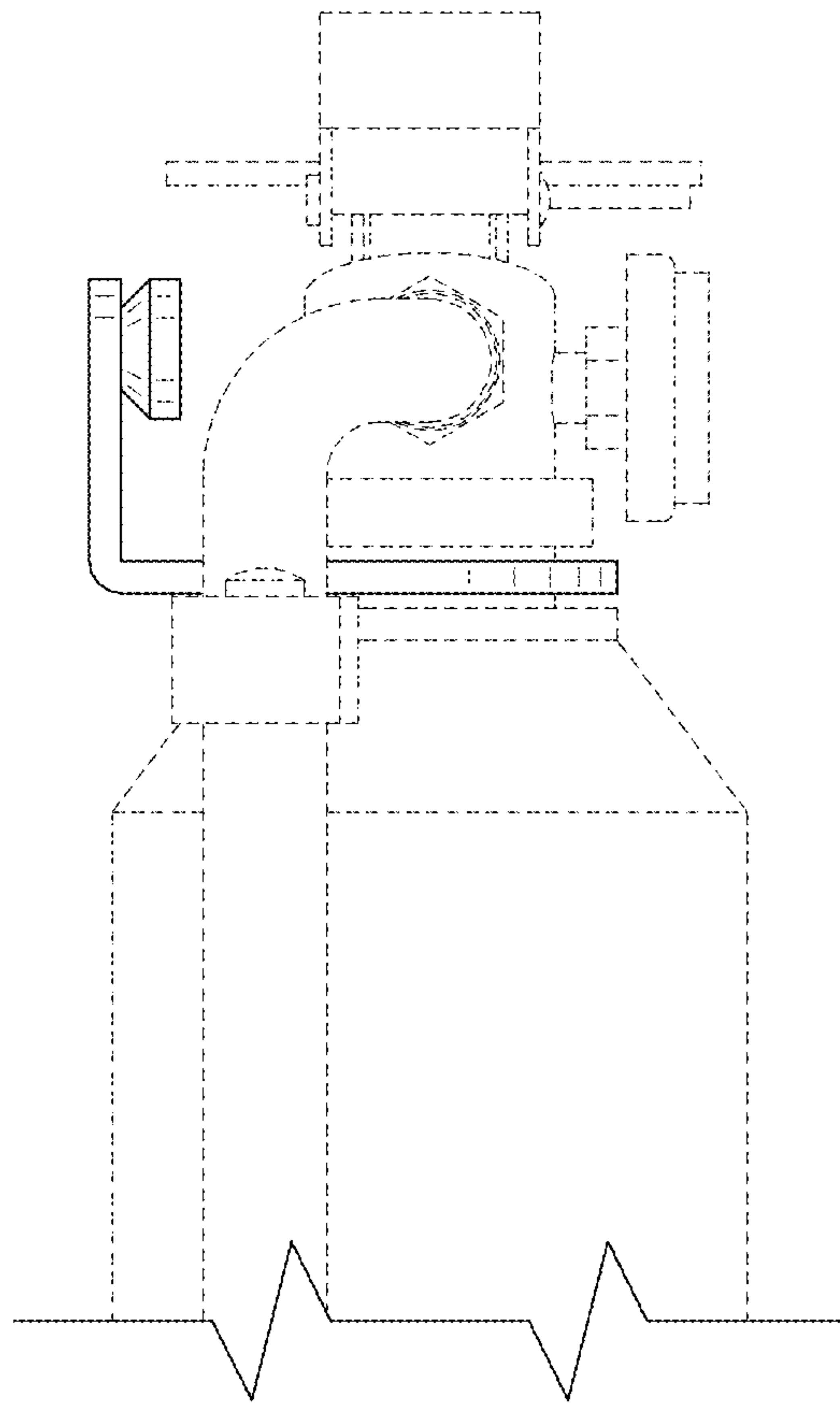


FIG. 5

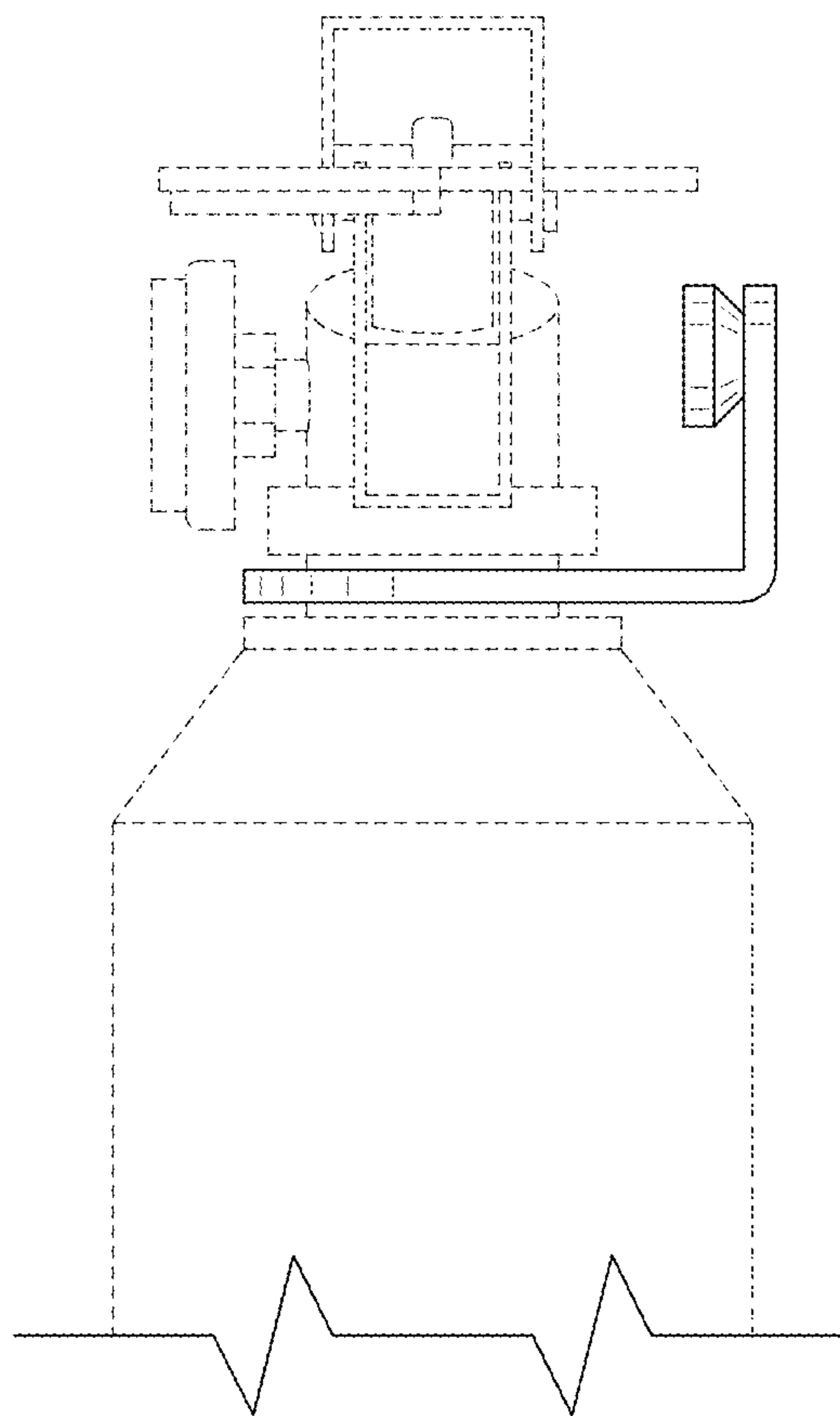


FIG. 6

