



US00D777565S

(12) **United States Design Patent** (10) **Patent No.:** **US D777,565 S**
Yeh (45) **Date of Patent:** **** Jan. 31, 2017**

(54) **CONNECTOR**

(71) Applicant: **David Hong Yeh**, Mercer Island, WA (US)

(72) Inventor: **David Hong Yeh**, Mercer Island, WA (US)

(**) Term: **14 Years**

(21) Appl. No.: **29/482,009**

(22) Filed: **Feb. 12, 2014**

(51) **LOC (10) Cl.** **08-08**

(52) **U.S. Cl.**
USPC **D8/382**

(58) **Field of Classification Search**
USPC D8/349, 350, 353, 354, 355, 356, 359, D8/366, 367, 373, 374, 381, 382, 383, D8/385; D13/110, 133, 155; D23/254, D23/262, 265, 266

CPC B61G 5/00; B61G 5/06; B61G 5/08; B61G 5/10; H01R 9/0521; H01R 4/22; H01R 4/28; H01R 9/0503; H01R 13/6464; H01R 24/62; H02G 1/00; H02G 1/04; H02J 1/00; H02J 2001/006; H02J 2001/008

See application file for complete search history.

(56) **References Cited**

U.S. PATENT DOCUMENTS

384,654 A	6/1888	Wales	
1,592,454 A	7/1926	Frederickson	
1,831,856 A	11/1931	Fullman	
2,747,899 A	5/1956	Wiltse	
3,285,551 A	11/1966	Tschanz	
3,375,485 A	3/1968	Donohue et al.	
D225,161 S *	11/1972	Ritchie	D24/224
3,889,989 A	6/1975	Legris	
4,350,840 A	9/1982	Michaels	
D285,048 S *	8/1986	Beck	D8/385
D287,333 S *	12/1986	Knudson	D8/373
4,739,126 A	4/1988	Gutter et al.	

D303,710 S *	9/1989	Neill	D24/232
D305,532 S *	1/1990	Gallo et al.	D14/256
4,919,370 A	4/1990	Martin et al.	
5,117,479 A *	5/1992	Erdman et al.	385/136
D329,043 S *	9/1992	Rogers et al.	D13/155
5,266,050 A	11/1993	O'Neil et al.	
D347,467 S *	5/1994	Medvick	D23/262
5,529,508 A	6/1996	Chiotis et al.	
5,540,255 A *	7/1996	Trueb	F16L 59/11 137/375
D373,410 S *	9/1996	Diaz	D23/266
D374,862 S *	10/1996	Lee	D13/133

(Continued)

FOREIGN PATENT DOCUMENTS

JP 2010106993 A 5/2010

OTHER PUBLICATIONS

"Amico Stainless Steel Cable Glad Connector" May 17, 2012, Amazon.com, cited Apr. 13, 2015 <http://www.amazon.com/Amico-Stainless-6-0-12-0mm-Connector-Locknut/dp/B00843ULPY>.*

(Continued)

Primary Examiner — Eric Goodman
Assistant Examiner — Bao-Yen Nguyen
(74) *Attorney, Agent, or Firm* — Lane Powell PC

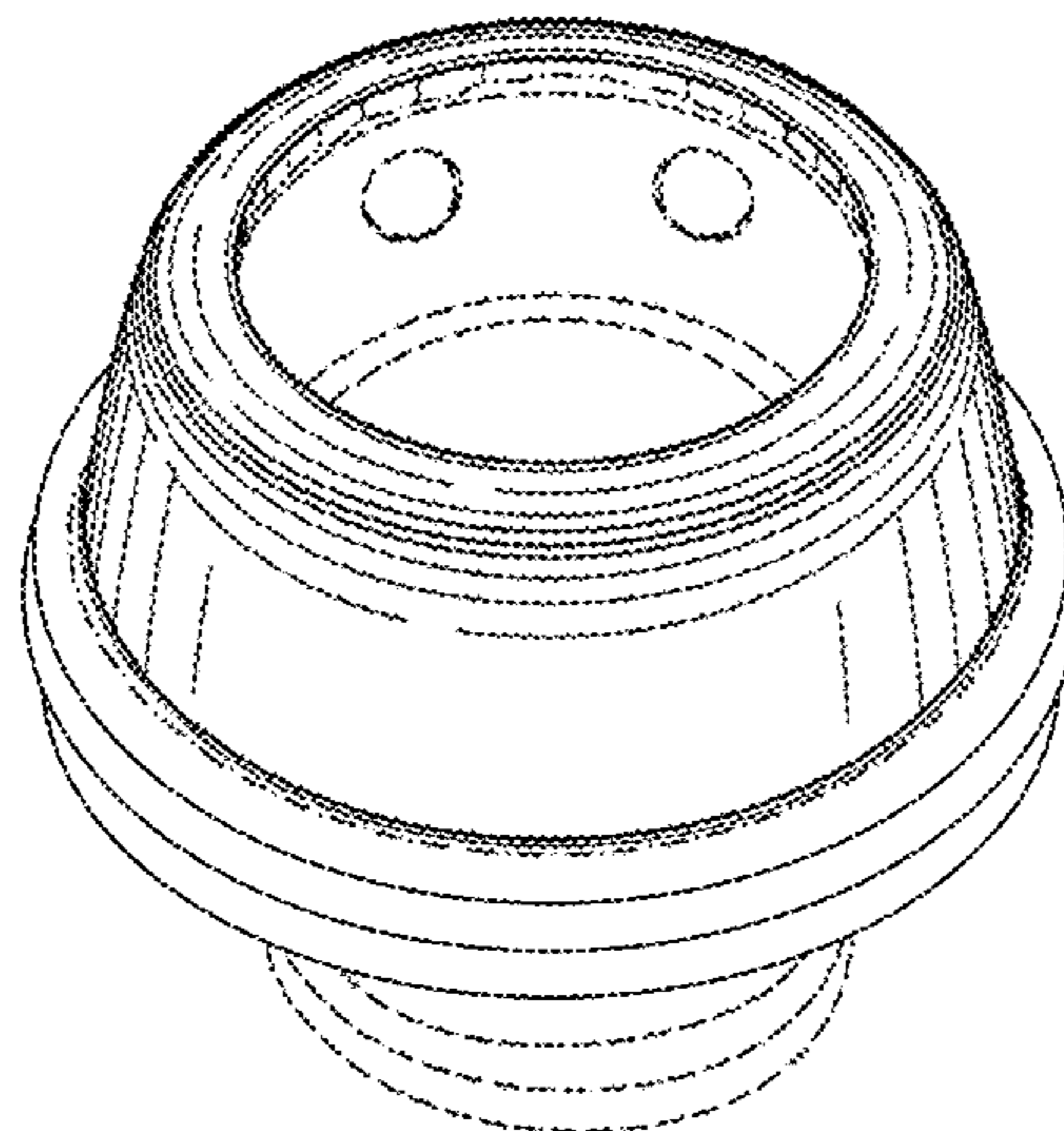
(57) **CLAIM**

The ornamental design for a connector, as shown and described.

DESCRIPTION

FIG. 1 is a top, front, isometric view of the connector; FIG. 2 is a front, plan view thereof; the right, left, and back plan views being a mirror image thereof; FIG. 3 is a top, plan view thereof; and, FIG. 4 is a bottom, plan view thereof. The broken lines depict portions of the connector and form no part of the claimed design.

1 Claim, 2 Drawing Sheets



(56)

References Cited

U.S. PATENT DOCUMENTS

D383,053 S * 9/1997 Schrader et al. D8/382
 D383,378 S * 9/1997 Schrader et al. D8/382
 D387,147 S * 12/1997 Vandermast D23/262
 D400,670 S * 11/1998 Sorkin D23/393
 D412,738 S * 8/1999 Kuwabara D23/233
 D414,462 S * 9/1999 Peterson et al. D13/133
 D417,138 S * 11/1999 Sauber D8/383
 D419,860 S 2/2000 Persson
 6,043,432 A 3/2000 Gretz
 D424,919 S 5/2000 Sato et al.
 D435,830 S 1/2001 Cheng
 D453,816 S * 2/2002 Sato et al. D23/262
 6,348,657 B1 2/2002 Haslock et al.
 6,382,593 B1 * 5/2002 deCler B67D 7/0294
 137/881
 D463,537 S * 9/2002 Koza D23/233
 D464,409 S * 10/2002 Nishio D23/266
 6,583,357 B2 6/2003 Rubenstein et al.
 D483,094 S * 12/2003 Wilk et al. D23/262
 D495,404 S * 8/2004 Wilk et al. D23/262
 D500,475 S * 1/2005 Noro et al. D13/133
 D504,312 S 4/2005 Peacock
 D517,904 S * 3/2006 Alkalay D8/382
 D518,559 S * 4/2006 Ostergaard et al. D23/262
 D524,427 S * 7/2006 Wilk et al. D23/262
 D529,865 S 10/2006 LaPere
 D530,669 S 10/2006 Shing
 D570,457 S * 6/2008 Brown D23/262
 D573,537 S 7/2008 Svoboda et al.
 D574,067 S * 7/2008 Pampinella et al. D23/262
 D577,674 S * 9/2008 Long et al. D13/133
 D577,795 S * 9/2008 Smith et al. D23/262
 D584,228 S * 1/2009 Strickland, Jr. D13/133
 D592,596 S * 5/2009 Kolton D13/133
 D599,289 S * 9/2009 Roos D13/133
 D599,894 S * 9/2009 Price et al. D23/262
 D606,494 S 12/2009 Holliday
 D607,547 S * 1/2010 Maier et al. D23/262

D614,270 S * 4/2010 Green et al. D23/266
 D624,019 S * 9/2010 Victor D13/133
 D624,508 S * 9/2010 Amidon D13/154
 7,841,630 B1 11/2010 Auray
 D631,848 S 2/2011 Montena et al.
 D637,697 S * 5/2011 Steiner D23/262
 D647,391 S * 10/2011 Barrese D8/373
 D649,862 S * 12/2011 Arvinte et al. D8/339
 D650,052 S * 12/2011 Drenth D23/269
 D651,696 S * 1/2012 Giordano D23/262
 D654,150 S * 2/2012 Bonhag et al. D23/259
 D661,785 S * 6/2012 Johnson D23/262
 D665,471 S * 8/2012 Fossum et al. D21/753
 D673,674 S * 1/2013 Ho D24/129
 D676,940 S * 2/2013 Kluss et al. D23/262
 D678,755 S 3/2013 Weidemann et al.
 D691,879 S * 10/2013 Bernard D8/382
 D693,774 S * 11/2013 Scime D13/155
 D719,646 S 12/2014 Melo
 2002/0011730 A1 * 1/2002 Stickan F16L 37/107
 285/93
 2002/0166691 A1 11/2002 Yaworski et al.
 2002/0185862 A1 12/2002 Louden
 2003/0019649 A1 1/2003 Rubenstein et al.
 2003/0094298 A1 5/2003 Morrow et al.
 2004/0050574 A1 3/2004 Wu
 2009/0145503 A1 * 6/2009 Green F16L 37/006
 138/89
 2009/0218131 A1 9/2009 Sheehan et al.
 2012/0068456 A1 3/2012 Smith
 2013/0020797 A1 * 1/2013 King F16L 41/02
 285/45
 2013/0087381 A1 4/2013 Daughtry et al.
 2013/0333164 A1 12/2013 Dinh et al.

OTHER PUBLICATIONS

International Search Report and Written Opinion dated Feb. 24, 2015 in PCT Patent Application No. PCT/US2014/066234.

* cited by examiner

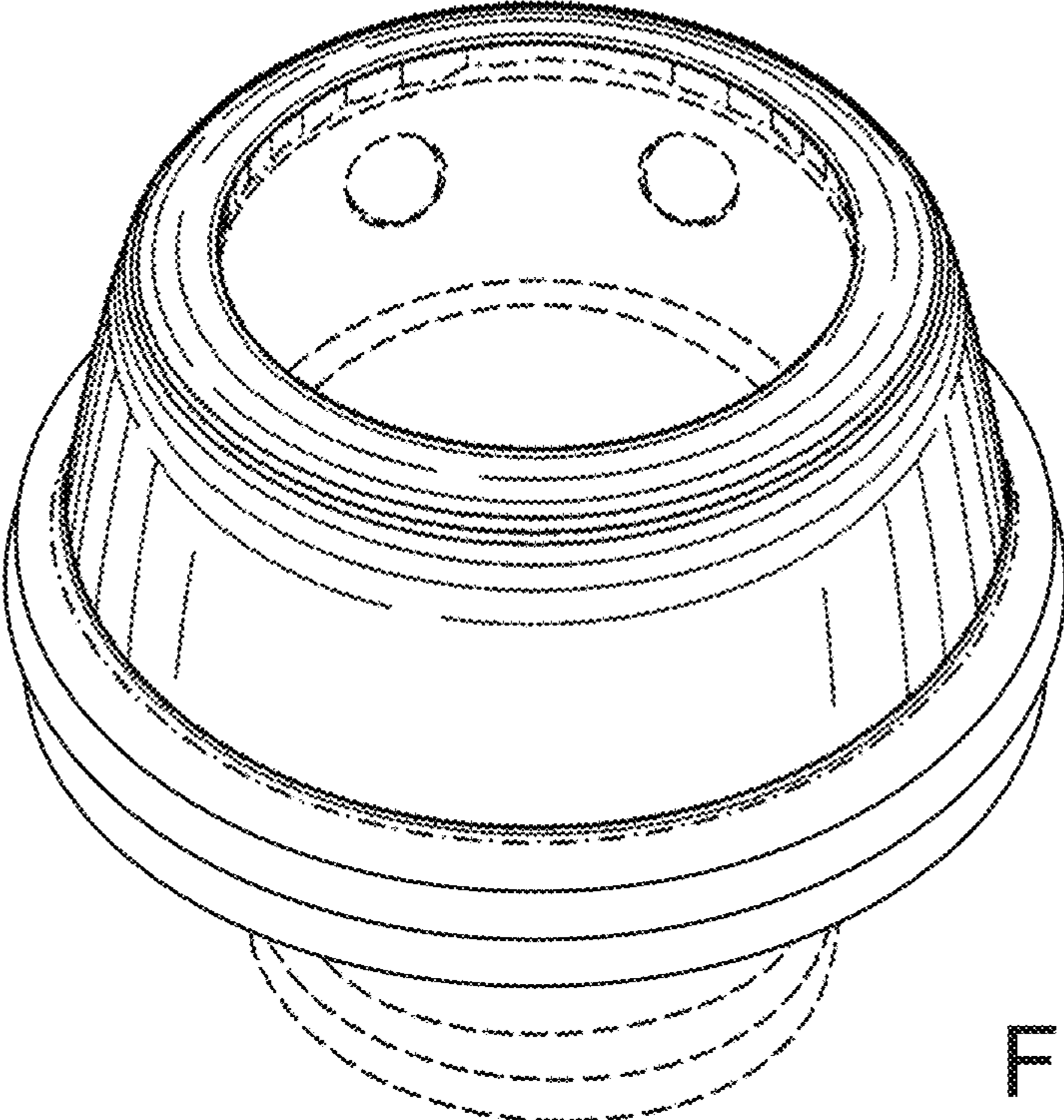


FIG. 1

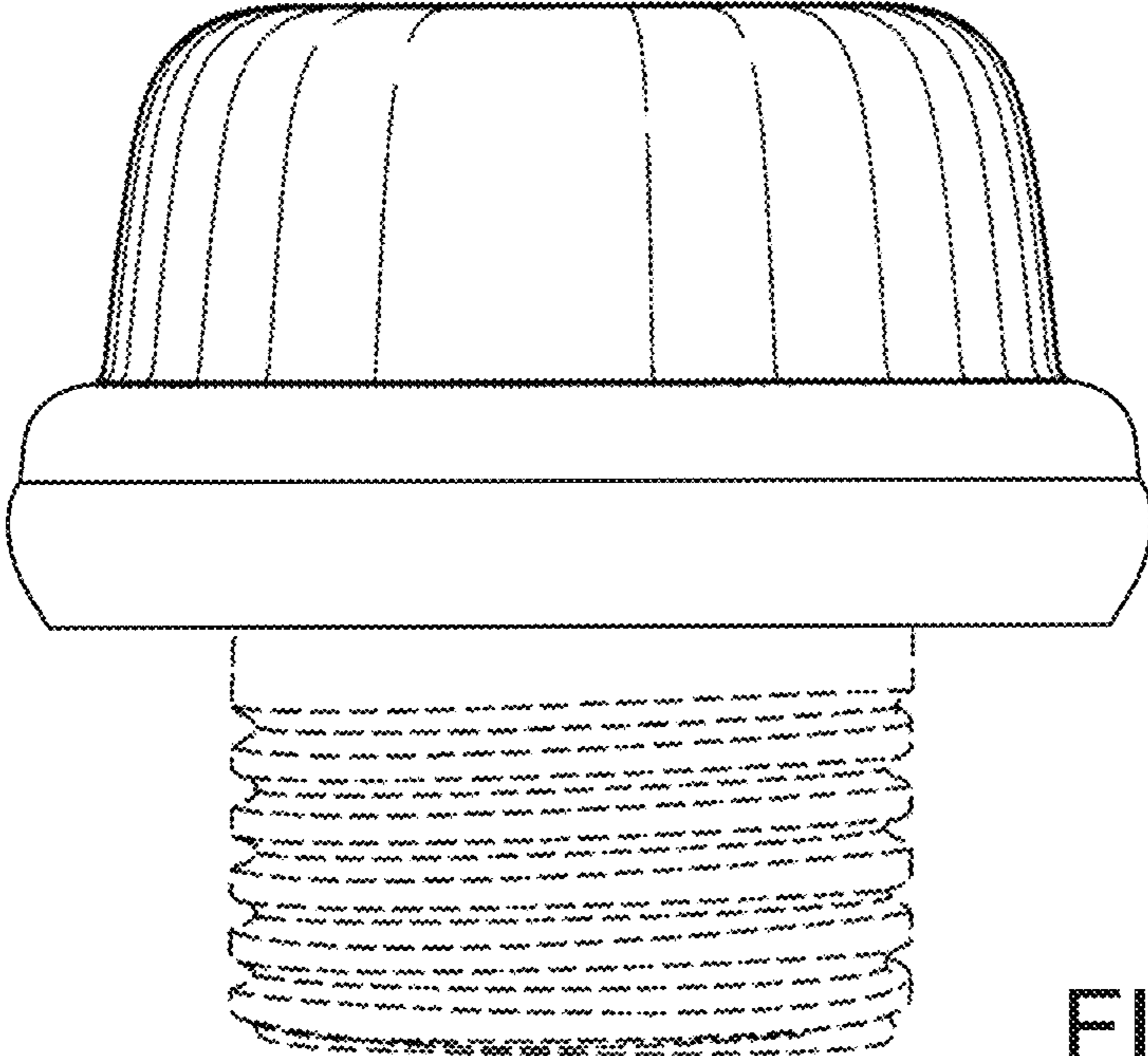


FIG. 2

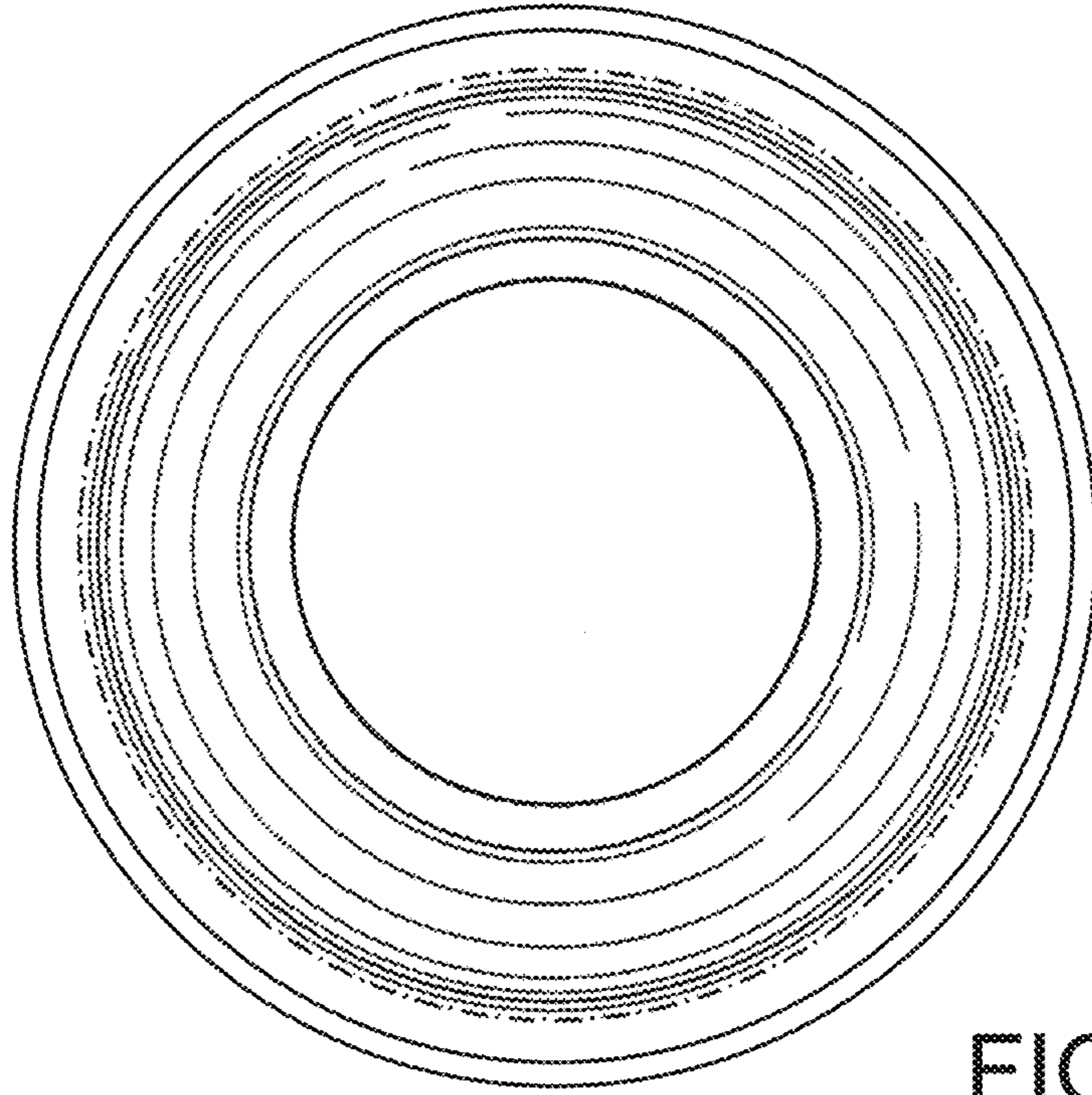


FIG. 3

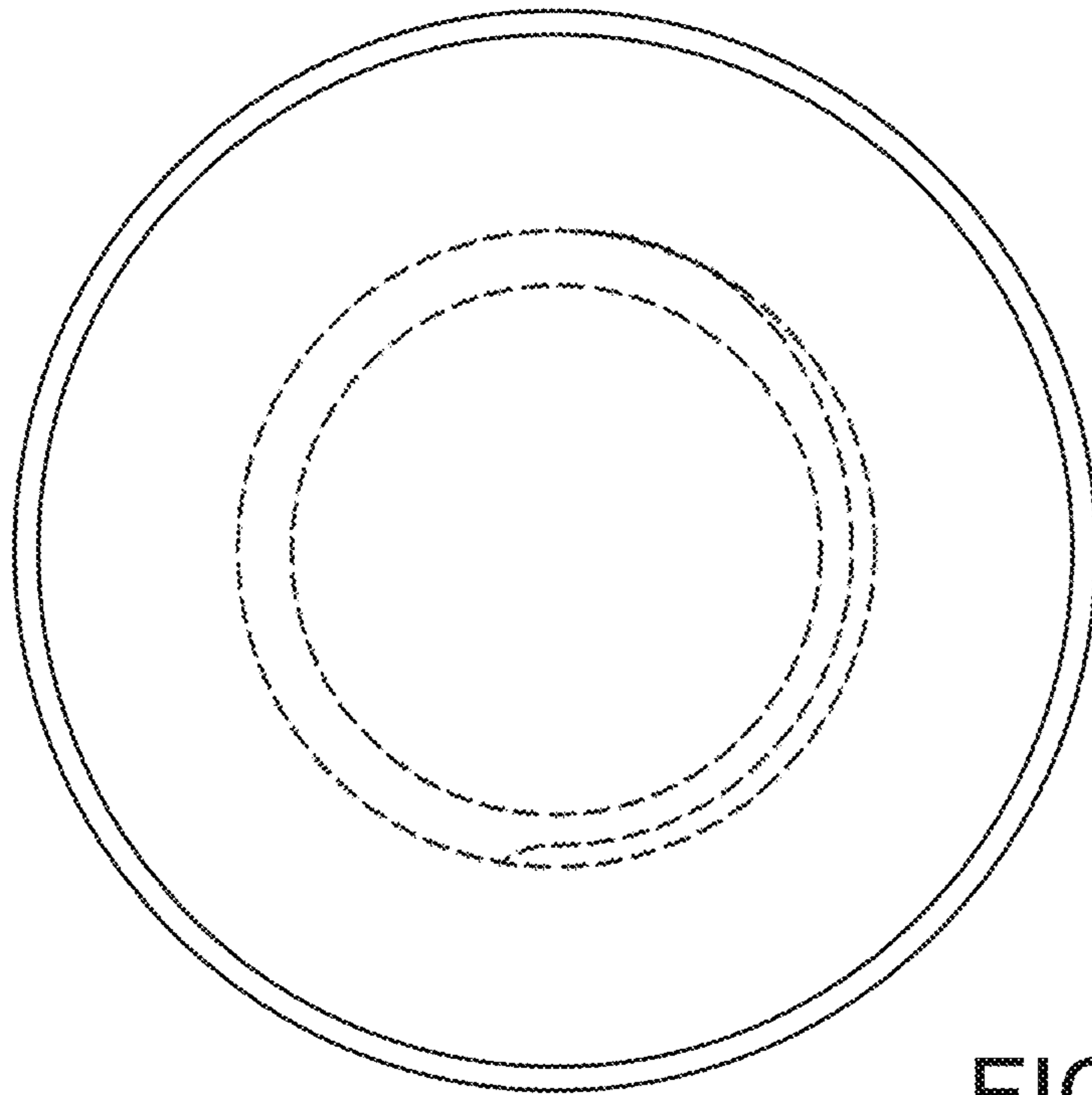


FIG. 4