



US00D777560S

(12) **United States Design Patent**
Jung

(10) **Patent No.:** **US D777,560 S**

(45) **Date of Patent:** **** Jan. 31, 2017**

(54) **KEY**
(71) Applicant: **Jae Keun Jung**, Seoul (KR)
(72) Inventor: **Jae Keun Jung**, Seoul (KR)
(**) Term: **15 Years**
(21) Appl. No.: **29/548,027**
(22) Filed: **Dec. 9, 2015**

3,427,833 A * 2/1969 Lempke B29C 45/14426
70/406
D256,964 S * 9/1980 Santana D3/208
D305,216 S * 12/1989 Aucoin D11/105
5,383,345 A * 1/1995 Kallinger-Prskawetz-Jacobsen .
E05B 19/04
403/294
D537,705 S * 3/2007 Evans D8/347
D566,524 S * 4/2008 Daas D8/347
D602,761 S * 10/2009 Sinisi D8/347
D605,495 S * 12/2009 Elhaj D8/347
D654,346 S * 2/2012 Taylor D8/347
D659,509 S * 5/2012 Dhaliwal D8/348

(30) **Foreign Application Priority Data**

Jun. 10, 2015 (KR) 30-2015-0029030

(51) **LOC (10) Cl.** **08-07**

(52) **U.S. Cl.**
USPC **D8/348**; D8/347

(58) **Field of Classification Search**
USPC D8/347, 348; 70/51, 336, 344, 348, 391,
70/393, 402, 408, 416, 429, 430, 460,
70/447, 257, 278.2, 278.3, 413, 456 R,
25, 2
CPC E05B 19/00; E05B 19/04; E05B 19/20;
E05B 13/00; E05B 11/00; E05B 27/00
See application file for complete search history.

(56) **References Cited**

U.S. PATENT DOCUMENTS

316,132 A * 4/1885 Doublee E05B 55/00
70/143
D139,791 S * 12/1944 Lasky D8/348
2,529,815 A * 11/1950 Rothe E05B 19/24
250/466.1

* cited by examiner

Primary Examiner — Prabhakar Deshmukh

(74) *Attorney, Agent, or Firm* — Antonio Ha & U.S.
Patent, LLC

(57) **CLAIM**

The ornamental design for a key, as shown and described.

DESCRIPTION

FIG. 1 is perspective view of a key showing my new design;
FIG. 2 is a front elevational view thereof;
FIG. 3 is a rear elevational view thereof;
FIG. 4 is a left side elevational view thereof;
FIG. 5 is a right side elevational view thereof;
FIG. 6 is a top plan view thereof;
FIG. 7 is a bottom plan view thereof; and,
FIG. 8 is a perspective view thereof, wherein the two parts
of the key are separated for clarity.

1 Claim, 6 Drawing Sheets

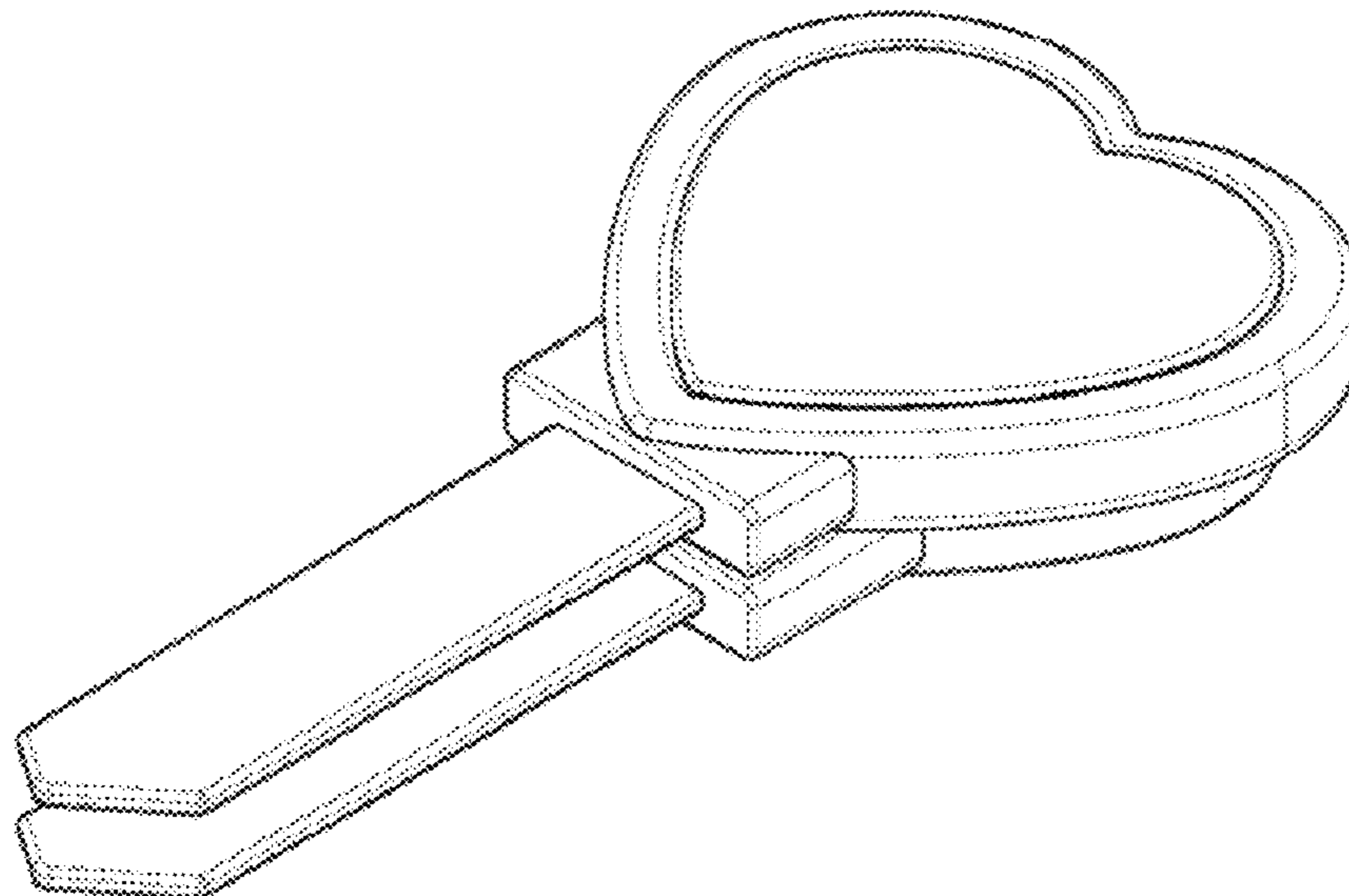


Fig. 1

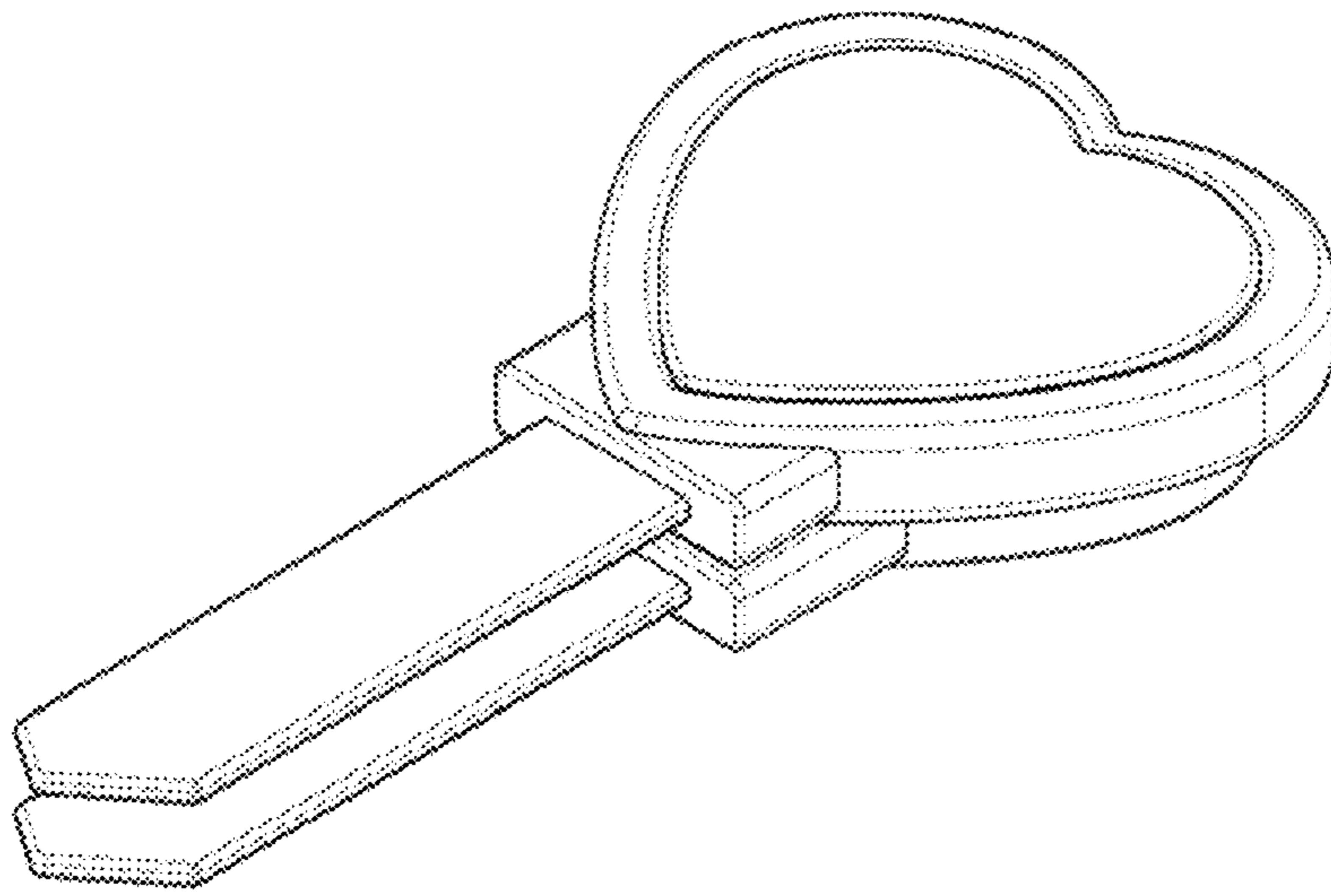


Fig. 2

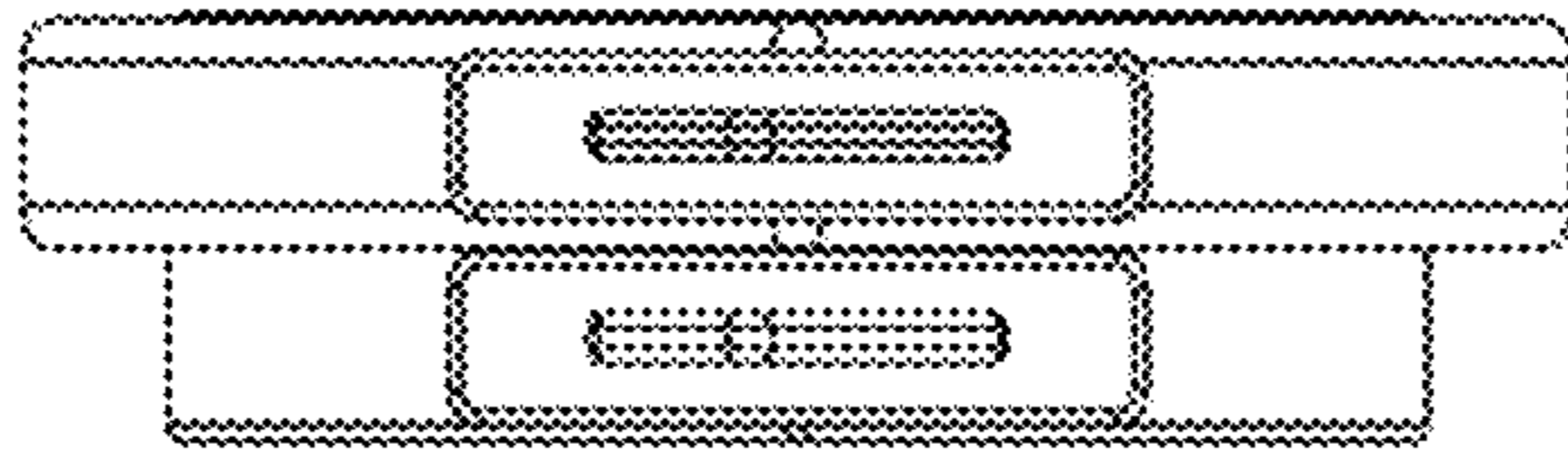


Fig. 3

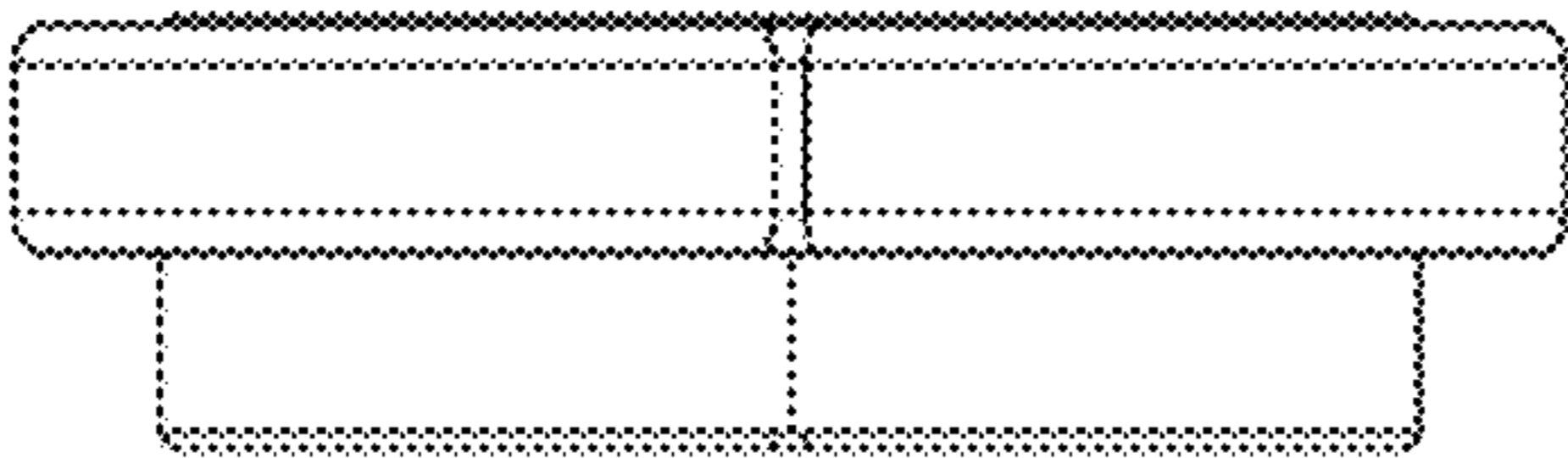


Fig. 4

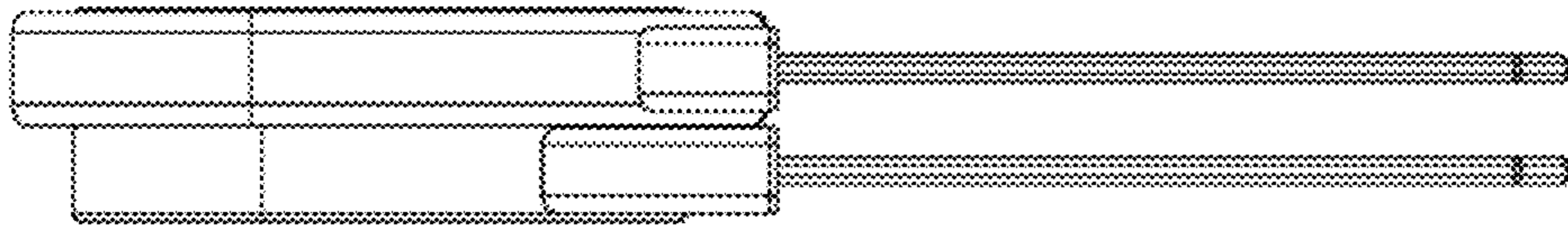


Fig. 5

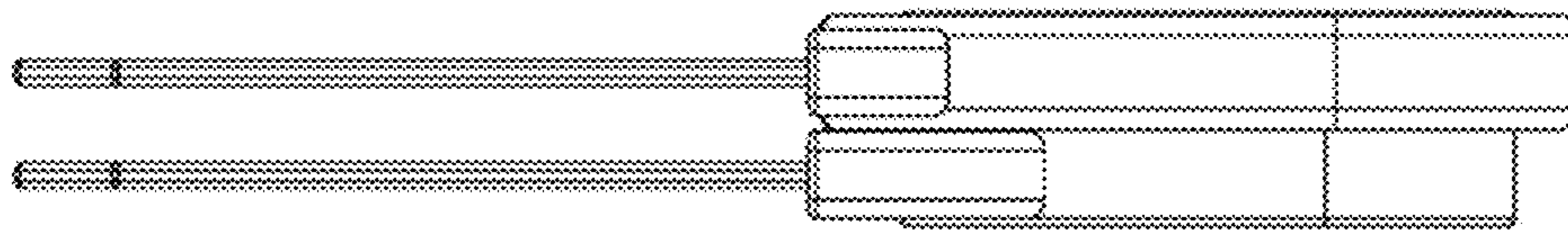


Fig. 6

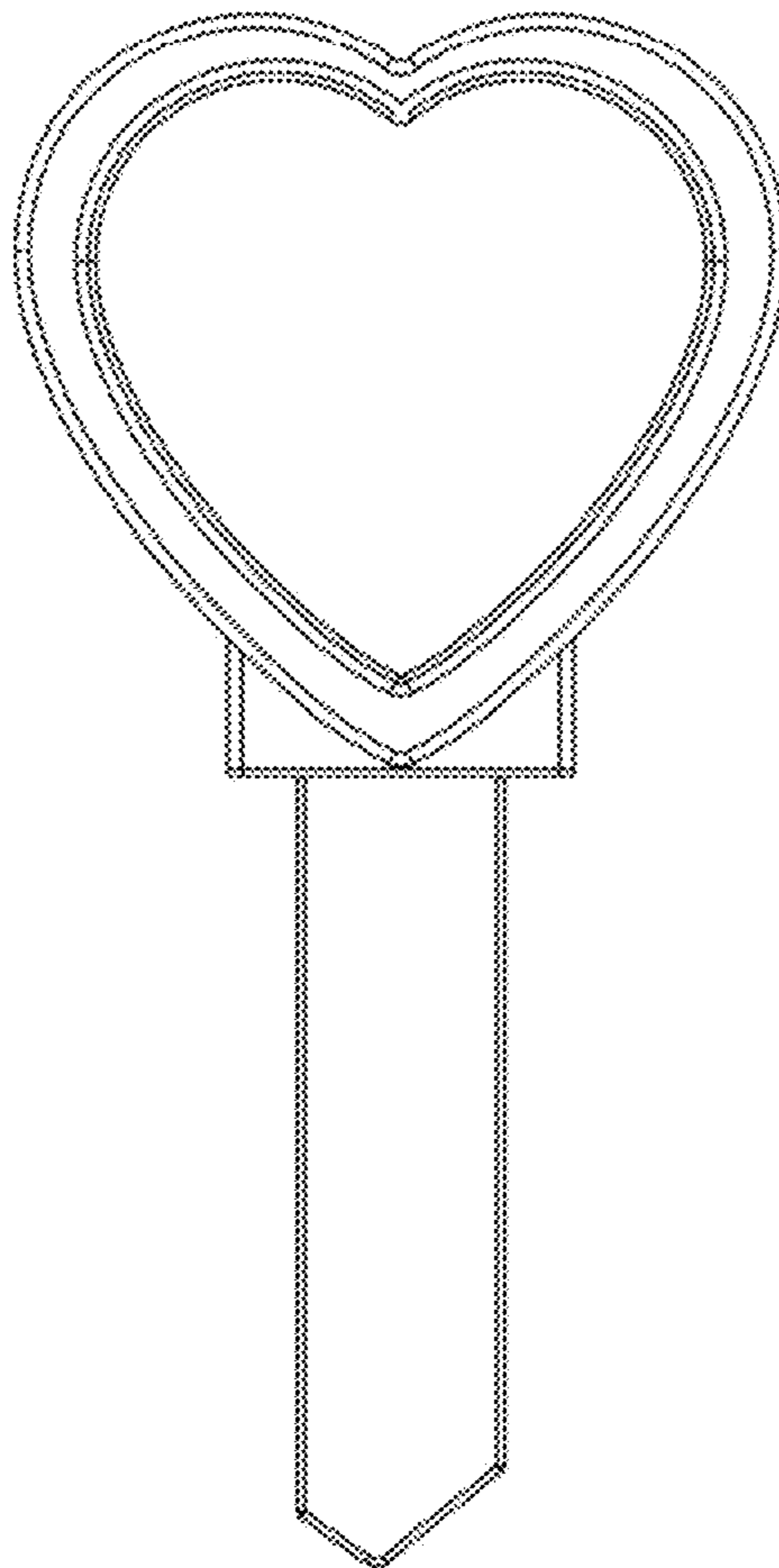


Fig. 7

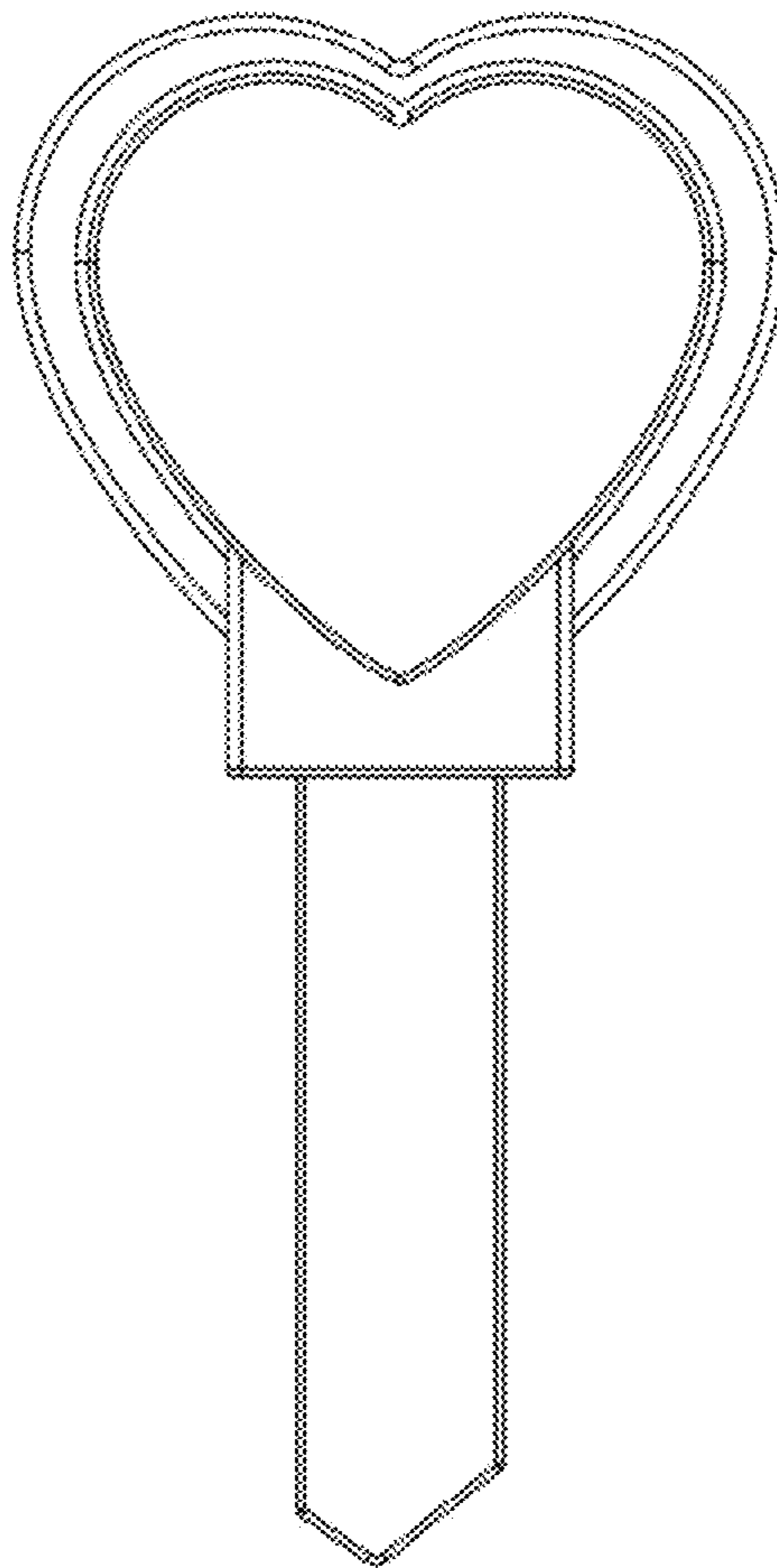


Fig. 8

