



US00D777557S

(12) **United States Design Patent**  
**Zaniker et al.**

(10) **Patent No.:** **US D777,557 S**  
(45) **Date of Patent:** **\*\* Jan. 31, 2017**

(54) **RETROFITTED LOCK ASSEMBLY FOR A LOCKER**

(71) Applicant: **BEST LOCKERS, LLC**, Beltsville, MD (US)

(72) Inventors: **John Zaniker**, Severna Park, MD (US);  
**Dennis Toibero**, Laurel, MD (US);  
**Scott Nelson**, Apopka, FL (US)

(73) Assignee: **Best Lockers, LLC**, Columbia, MD (US)

(\*\*) Term: **14 Years**

(21) Appl. No.: **29/498,045**

(22) Filed: **Jul. 30, 2014**

**Related U.S. Application Data**

(63) Continuation-in-part of application No. 14/257,810, filed on Apr. 21, 2014.

(51) **LOC (10) Cl.** ..... **08-07**

(52) **U.S. Cl.**  
USPC ..... **D8/331; D8/330**

(58) **Field of Classification Search**  
USPC ..... D8/330, 331, 334, 301; D6/705, 705.5, D6/706, 703; 340/5.73, 5.54; 70/3, 156, 70/213; 292/30, 127  
CPC ..... E05B 49/00; E05B 17/00; E05B 55/00; E05B 65/00; E05B 47/0692; E05B 47/0002; E05B 47/0001; E05B 47/0046  
See application file for complete search history.

(56) **References Cited**

**U.S. PATENT DOCUMENTS**

5,475,996 A \* 12/1995 Chen ..... E05B 47/0692 70/218  
D513,582 S \* 1/2006 Osiecki ..... D8/331  
D536,155 S \* 1/2007 Mikolajczyk ..... D99/43

D599,189 S \* 9/2009 Nunez ..... D8/330  
8,587,405 B2 \* 11/2013 Denison ..... B60R 25/102 340/5.64  
8,616,031 B2 \* 12/2013 Ullrich ..... E05B 47/0012 70/278.7  
D698,222 S \* 1/2014 Guo ..... D8/330  
D715,015 S \* 10/2014 Measom ..... D99/43  
D730,715 S \* 6/2015 Gokcebay ..... D8/330  
D744,314 S \* 12/2015 Ng ..... D8/330  
D757,390 S \* 5/2016 Castelluccio ..... D99/37  
D758,040 S \* 5/2016 Osiecki ..... D99/43  
D758,690 S \* 6/2016 Miller ..... D99/28  
D760,058 S \* 6/2016 Laxamana ..... D8/330  
D762,103 S \* 7/2016 Gokcebay ..... D8/330  
D764,892 S \* 8/2016 Gokcebay ..... D8/330  
2008/0132100 A1 \* 6/2008 Craig ..... E05B 49/00 439/245  
2014/0026627 A1 \* 1/2014 Rai ..... E05B 65/00 70/344

\* cited by examiner

*Primary Examiner* — Rosemary K Tarcza

*Assistant Examiner* — James Thorn, Sr.

(74) *Attorney, Agent, or Firm* — Dentons US LLP

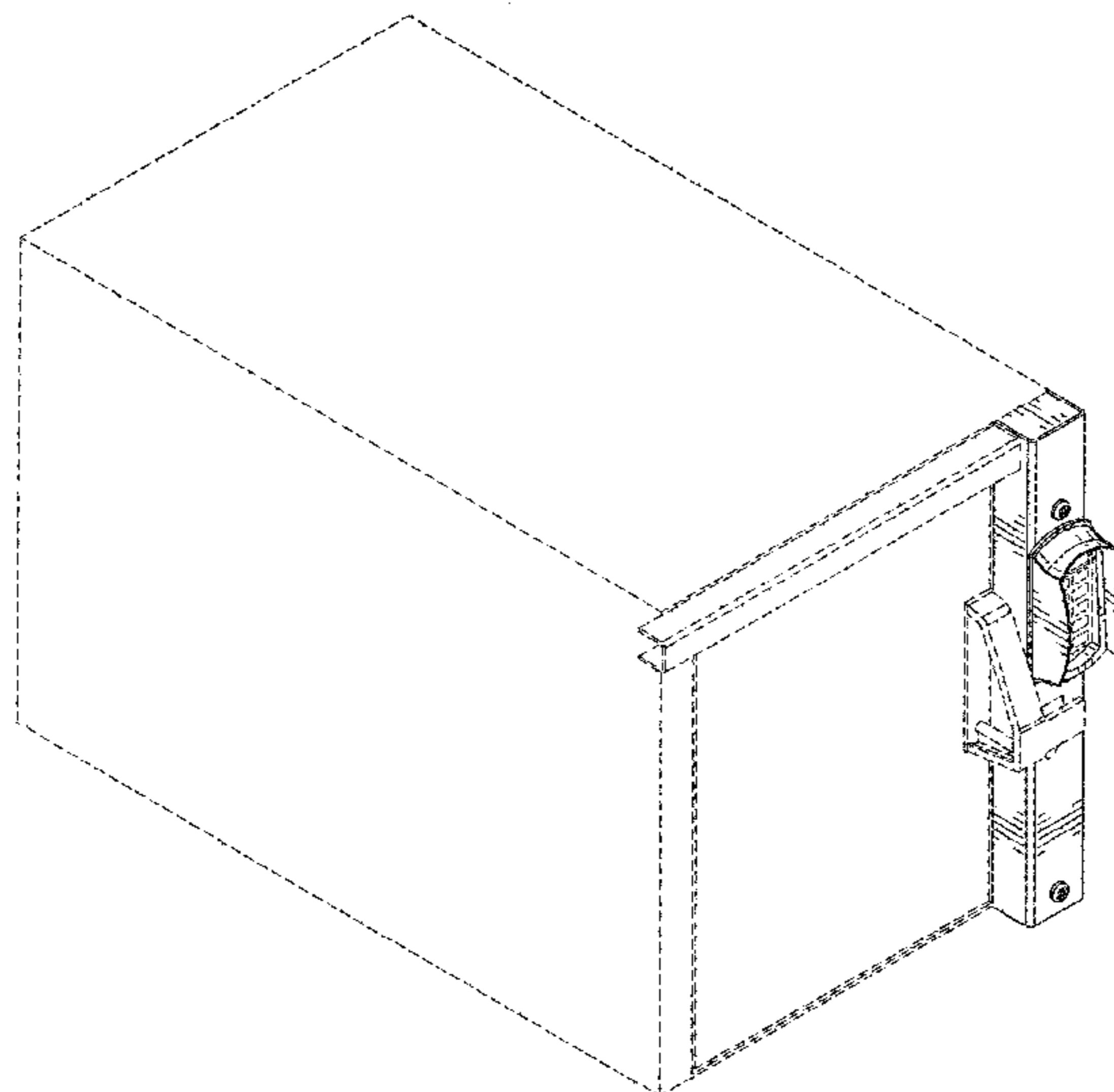
(57) **CLAIM**

The ornamental design for retrofitted lock assembly for a locker, as shown and described.

**DESCRIPTION**

FIG. 1 is a perspective view of a retrofitted lock assembly for a locker;  
FIG. 2 is a front view thereof;  
FIG. 3 is a rear view thereof;  
FIG. 4 is a right side view thereof;  
FIG. 5 is a left side view thereof;  
FIG. 6 is a top plan view thereof; and,  
FIG. 7 is a bottom plan view thereof.  
The broken lines shown in the drawings are included for the purpose of illustrating environmental structure and form no part of the claimed design.

**1 Claim, 7 Drawing Sheets**



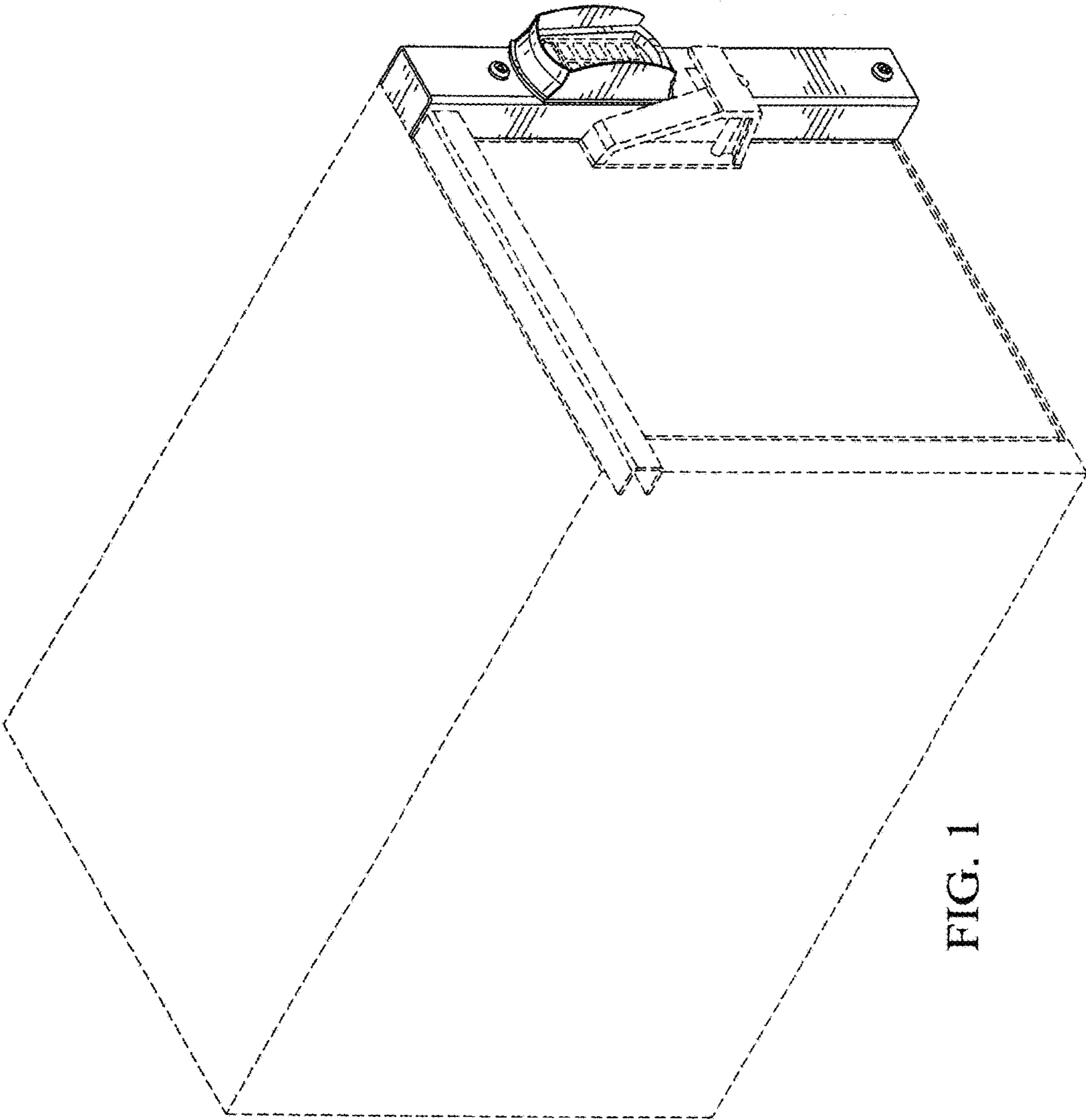


FIG. 1

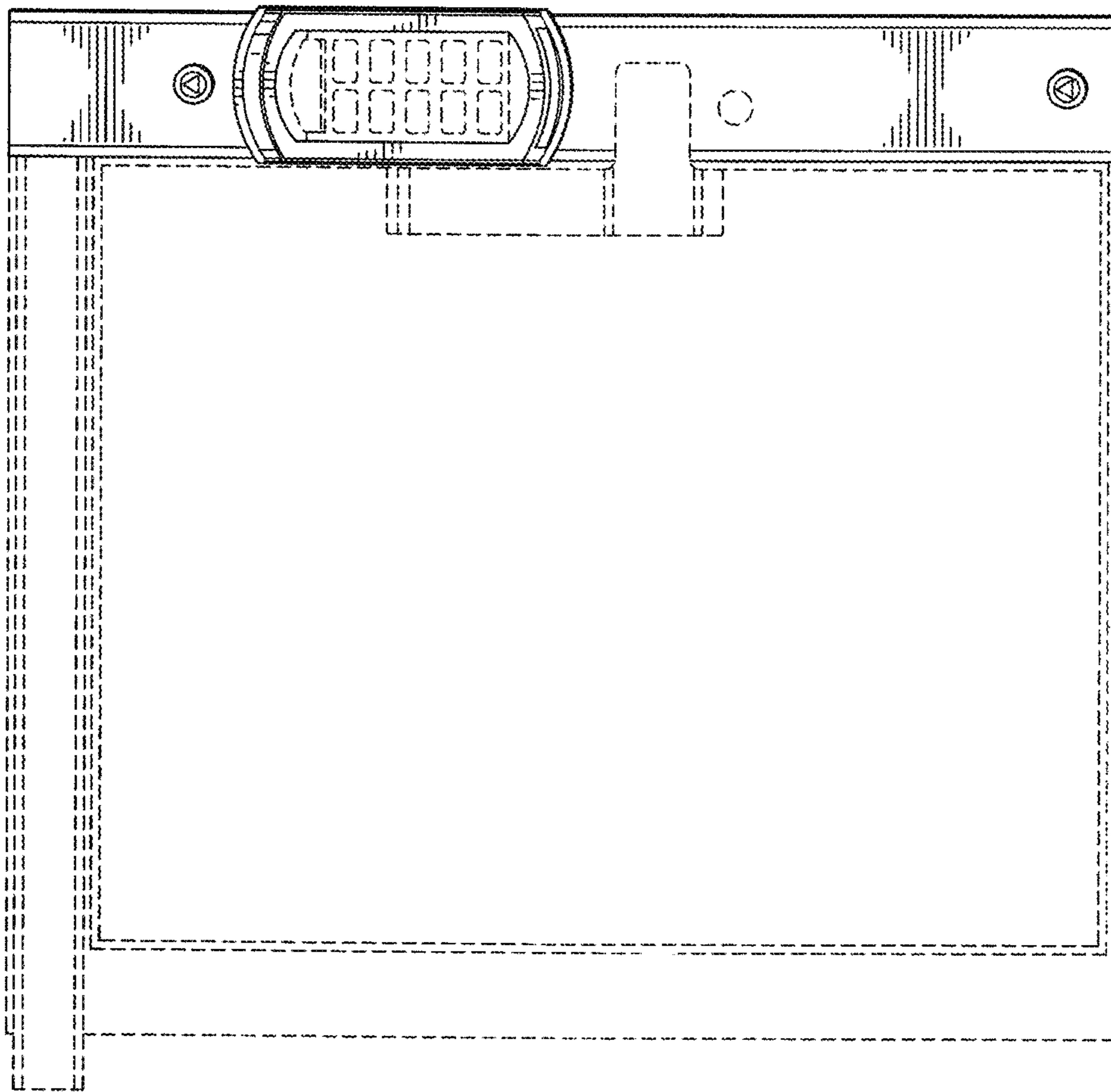


FIG. 2

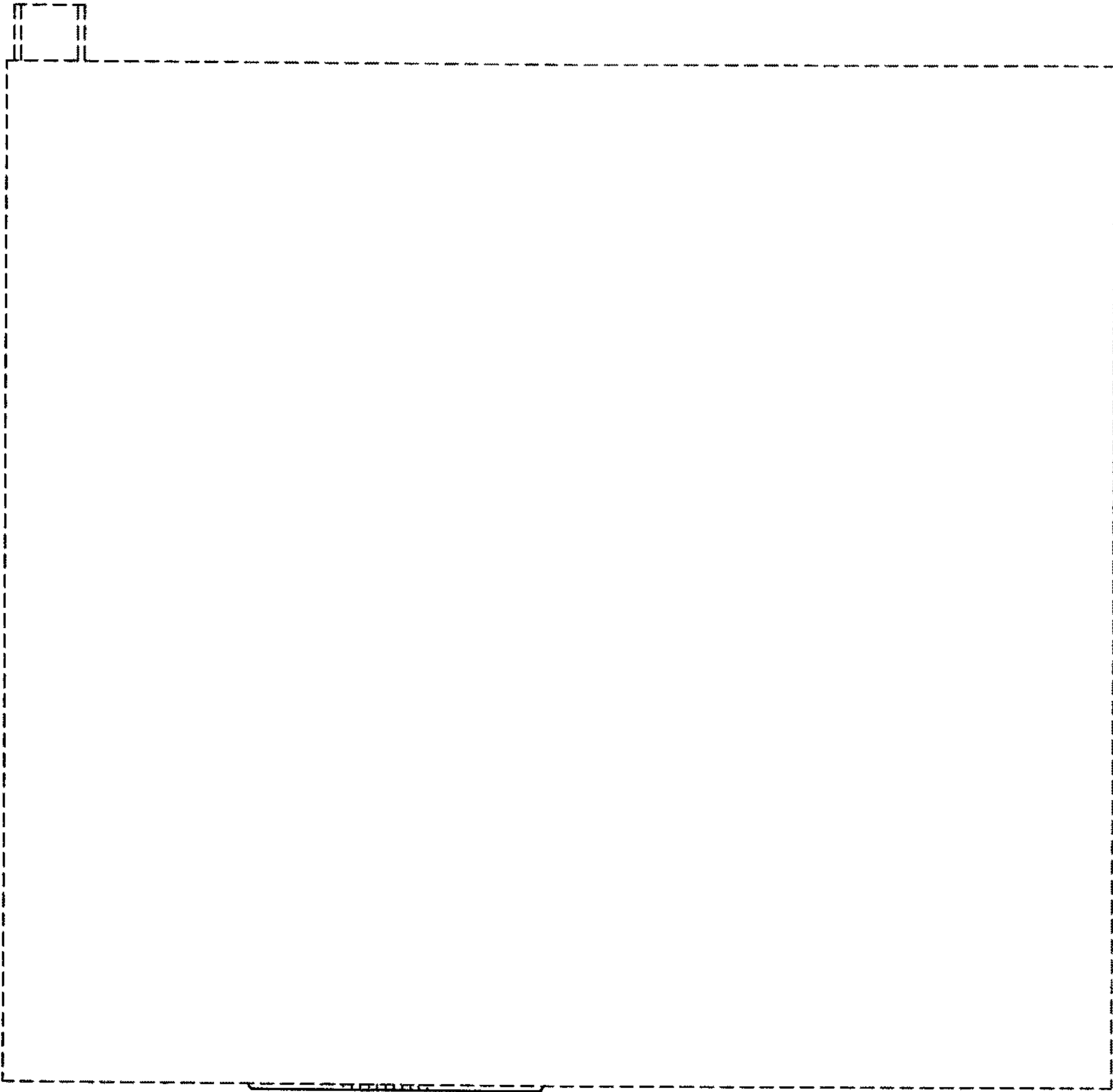


FIG. 3

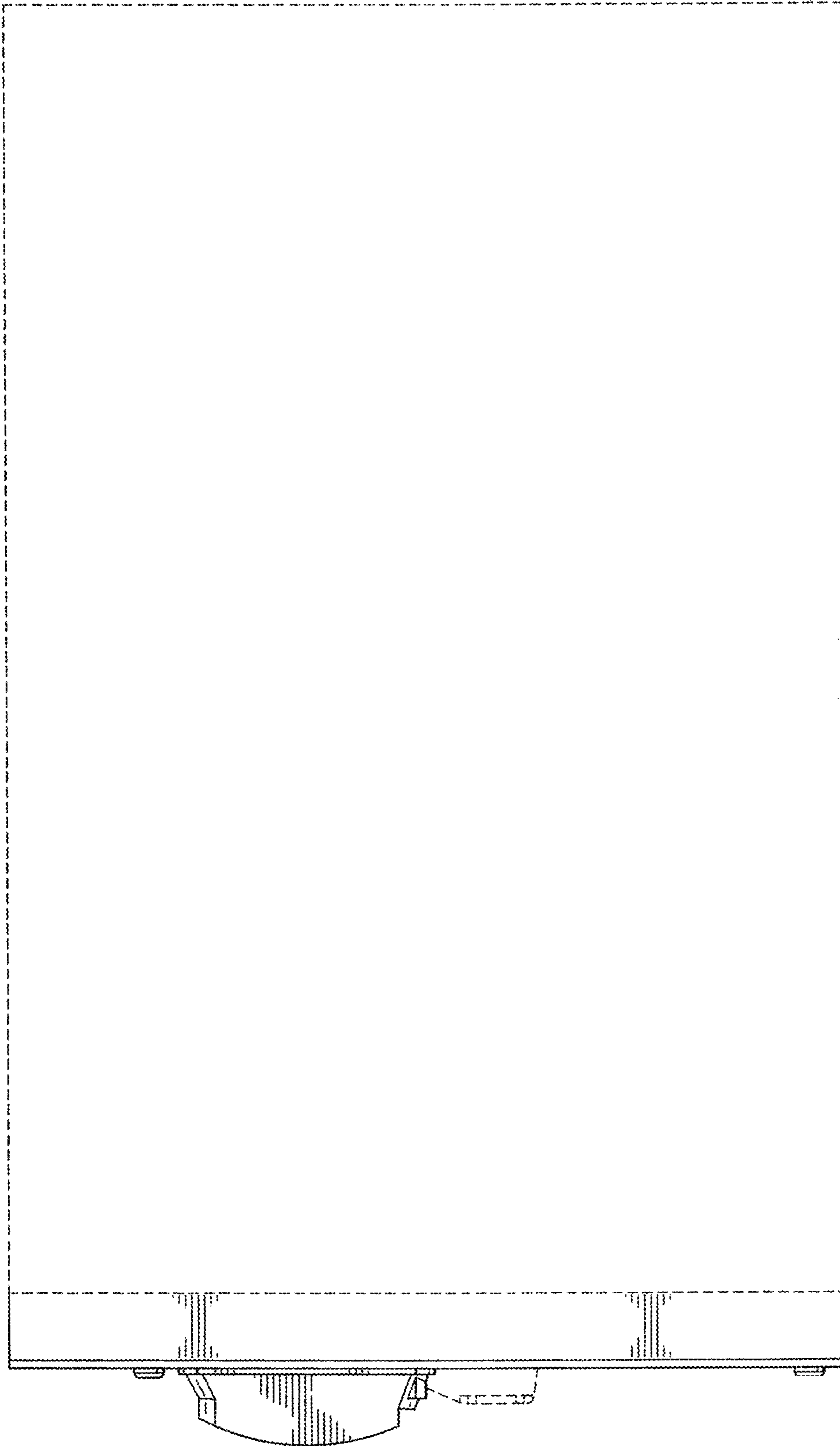


FIG. 4

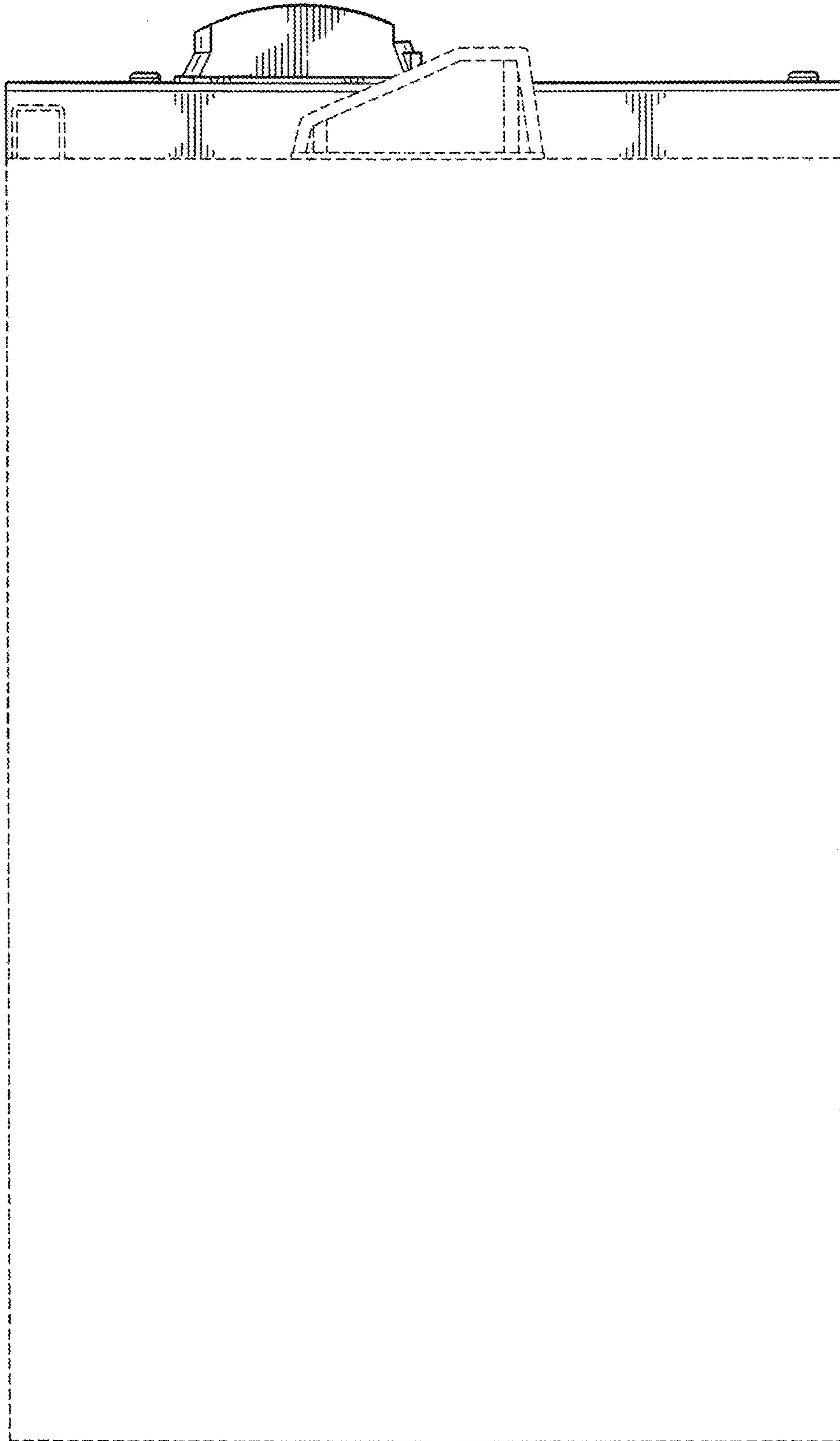


FIG. 5

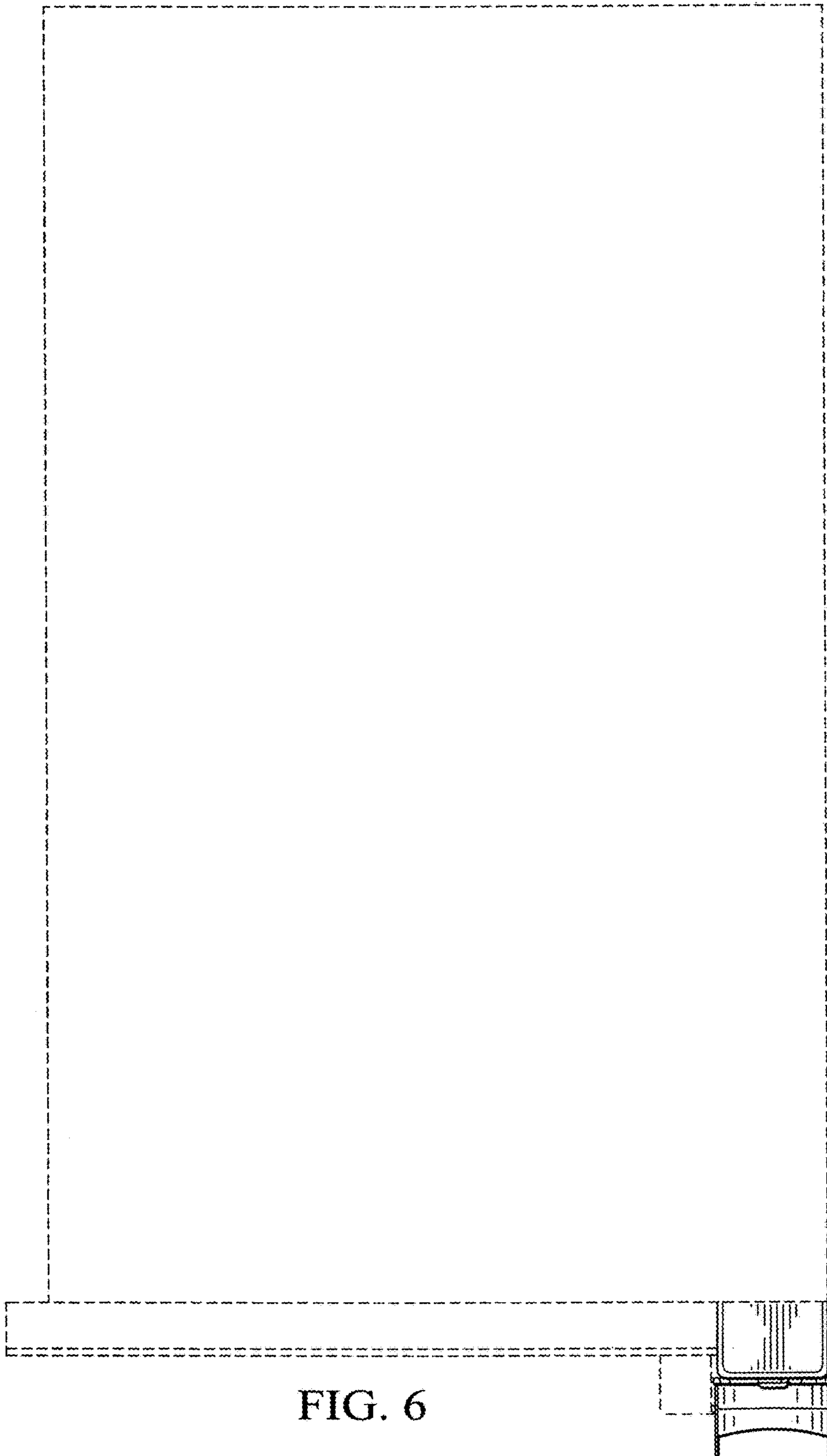


FIG. 6



FIG. 7