



US00D777556S

(12) **United States Design Patent**
Zaniker et al.

(10) **Patent No.:** **US D777,556 S**
(45) **Date of Patent:** **** Jan. 31, 2017**

(54) **RETROFITTED LOCK ASSEMBLY FOR A LOCKER**

(71) Applicant: **BEST LOCKERS, LLC**, Beltsville, MD (US)

(72) Inventors: **John Zaniker**, Severna Park, MD (US);
Dennis Toibero, Laurel, MD (US);
Scott Nelson, Apopka, FL (US)

(73) Assignee: **Best Lockers, LLC**, Columbia, MD (US)

(**) Term: **14 Years**

(21) Appl. No.: **29/498,037**

(22) Filed: **Jul. 30, 2014**

Related U.S. Application Data

(63) Continuation of application No. 14/257,810, filed on Apr. 21, 2014.

(51) **LOC (10) Cl.** **08-07**

(52) **U.S. Cl.**
USPC **D8/331; D8/330**

(58) **Field of Classification Search**
USPC D8/330, 331, 334, 301; D6/705, 705.5, D6/706, 703; 340/5.73, 5.54; 70/3, 156, 70/213; 292/30, 127
CPC E05B 49/00; E05B 17/00; E05B 55/00; E05B 65/00; E05B 47/0692; E05B 47/0002; E05B 47/0001; E05B 47/0046
See application file for complete search history.

(56) **References Cited**

U.S. PATENT DOCUMENTS

5,475,996 A * 12/1995 Chen E05B 47/0692 70/218
D513,582 S * 1/2006 Osiecki D8/331
D536,155 S * 1/2007 Mikolajczyk D99/43

D599,189 S * 9/2009 Nunez D8/330
8,587,405 B2 * 11/2013 Denison B60R 25/102 340/5.64
8,616,031 B2 * 12/2013 Ullrich E05B 47/0012 70/278.7
D698,222 S * 1/2014 Guo D8/330
D715,015 S * 10/2014 Measom D99/43
D730,715 S * 6/2015 Gokcebay D8/330
D744,314 S * 12/2015 Ng D8/330
D757,390 S * 5/2016 Castelluccio D99/37
D758,040 S * 5/2016 Osiecki D99/43
D758,690 S * 6/2016 Miller D99/28
D760,058 S * 6/2016 Laxamana D8/330
D762,103 S * 7/2016 Gokcebay D8/330
D764,892 S * 8/2016 Gokcebay D8/330
2008/0132100 A1 * 6/2008 Craig E05B 49/00 439/245
2014/0026627 A1 * 1/2014 Rai E05B 65/00 70/344

* cited by examiner

Primary Examiner — Rosemary K Tarcza

Assistant Examiner — James Thorn, Sr.

(74) *Attorney, Agent, or Firm* — Dentons US LLP

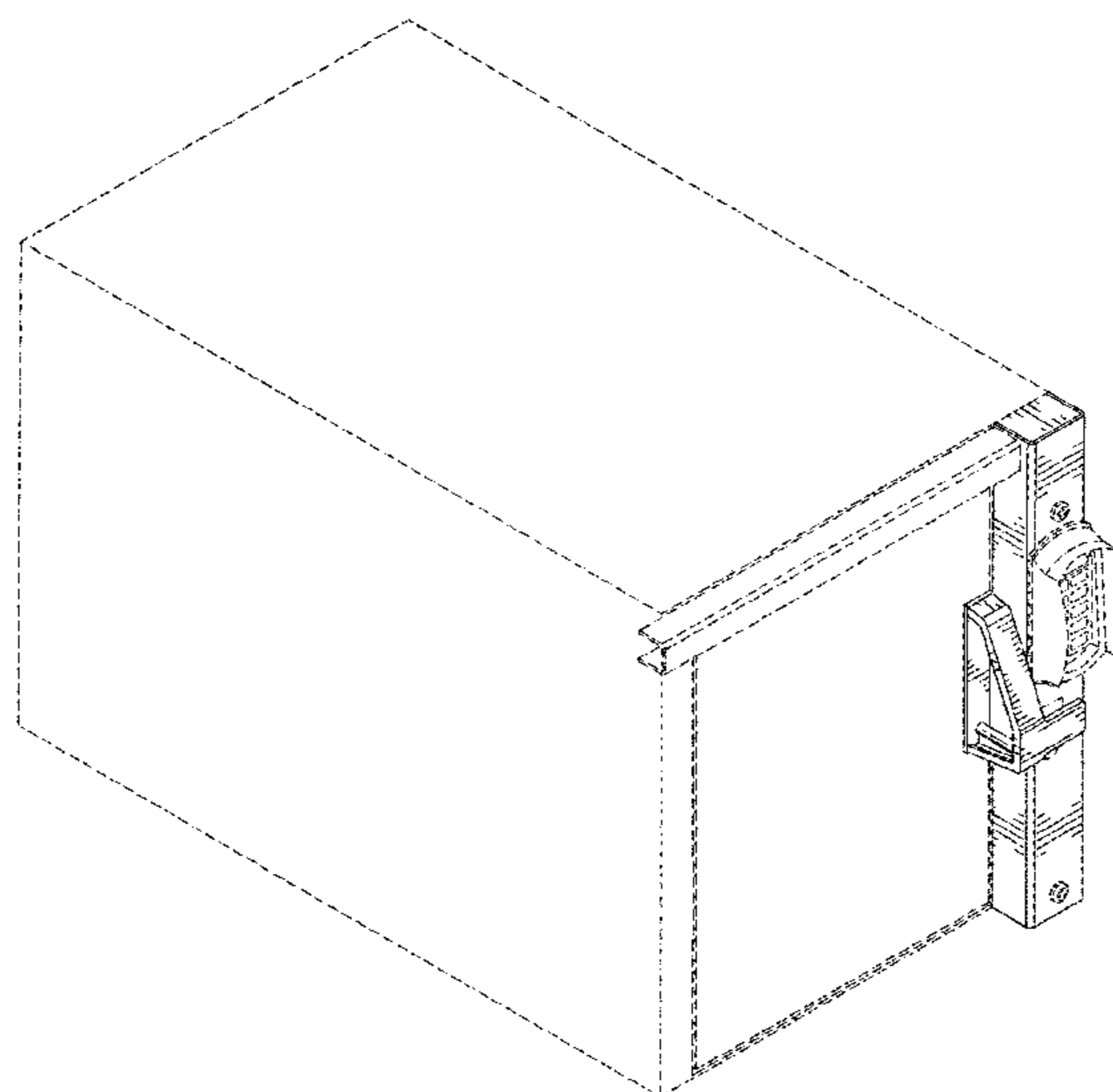
(57) **CLAIM**

The ornamental design for retrofitted lock assembly for a locker, as shown and described.

DESCRIPTION

FIG. 1 is a perspective view of a retrofitted lock assembly for a locker;
FIG. 2 is a front view thereof;
FIG. 3 is a rear view thereof;
FIG. 4 is a right side view thereof;
FIG. 5 is a left side view thereof;
FIG. 6 is a top plan view thereof; and,
FIG. 7 is a bottom plan view thereof.
The broken lines shown in the drawings are included for the purpose of illustrating environmental structure and form no part of the claimed design.

1 Claim, 7 Drawing Sheets



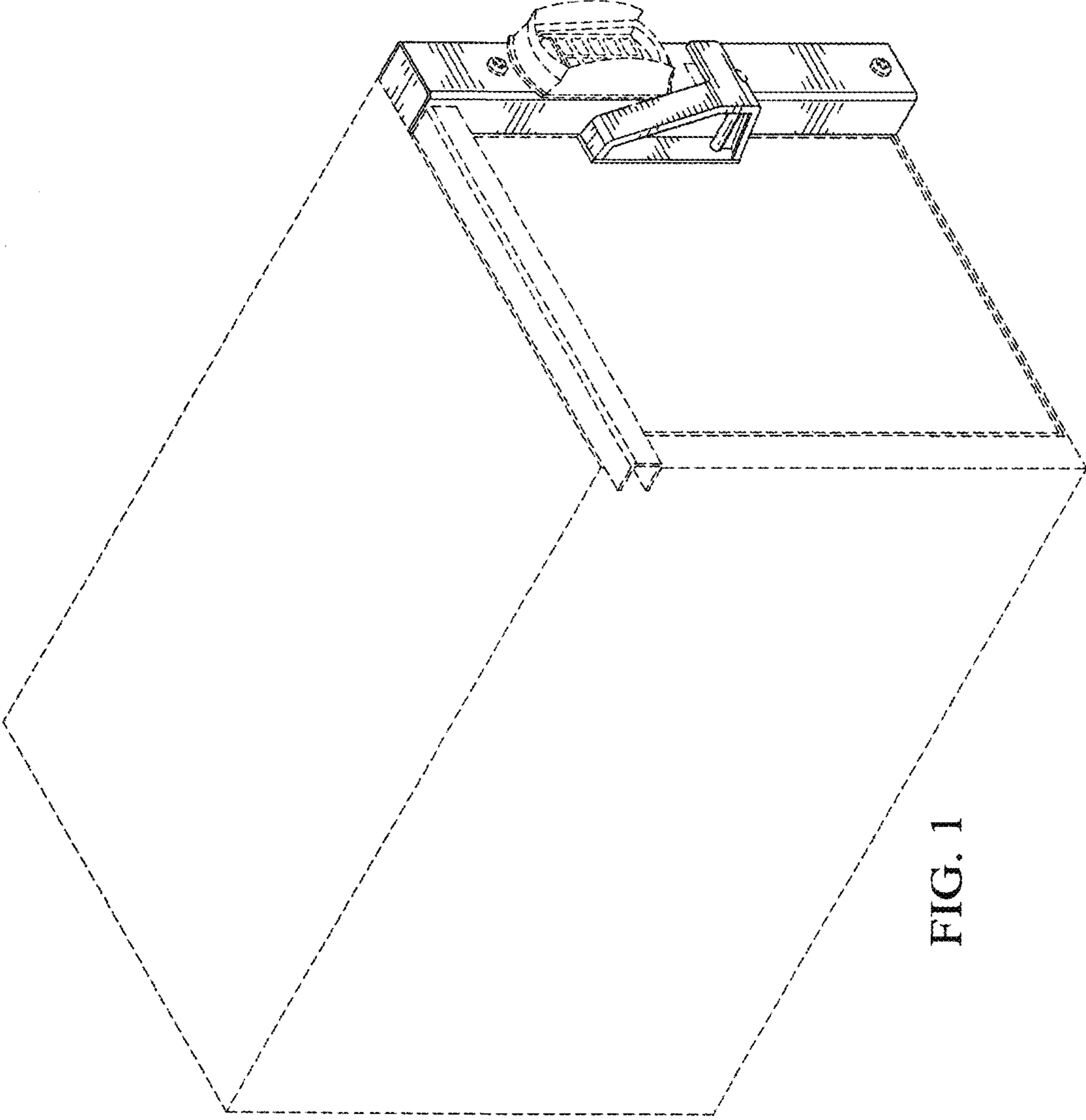


FIG. 1

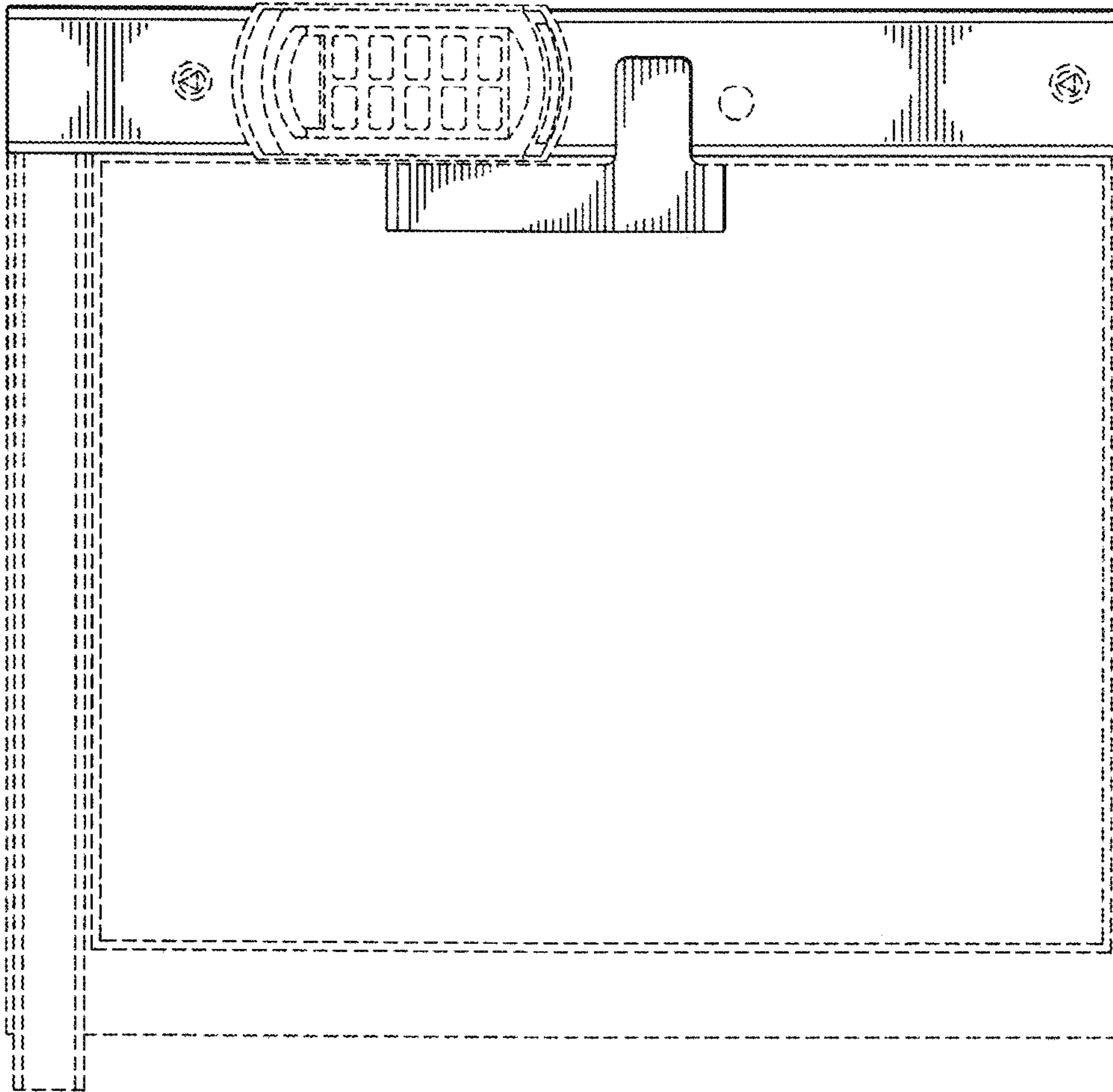


FIG. 2

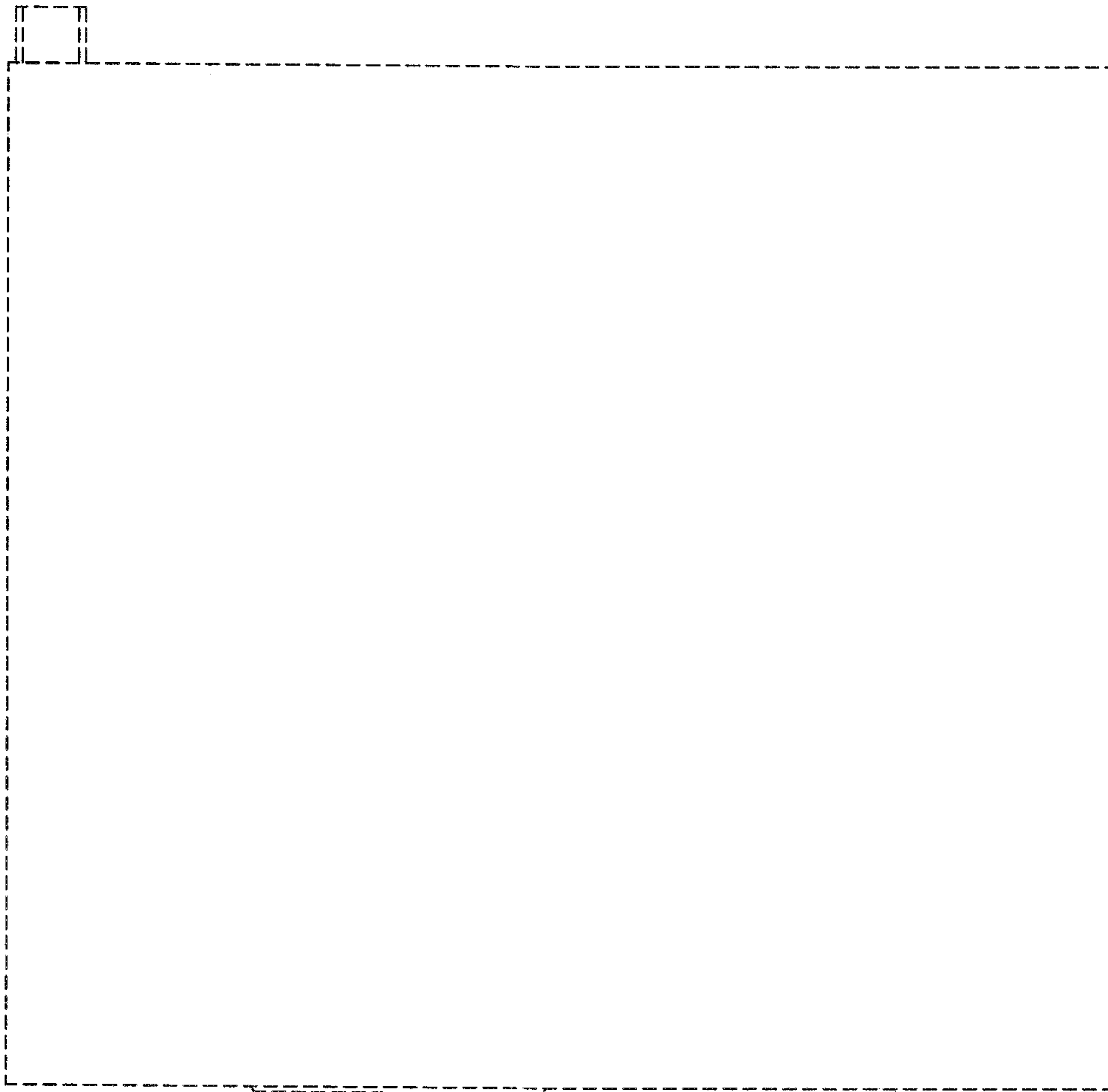


FIG. 3

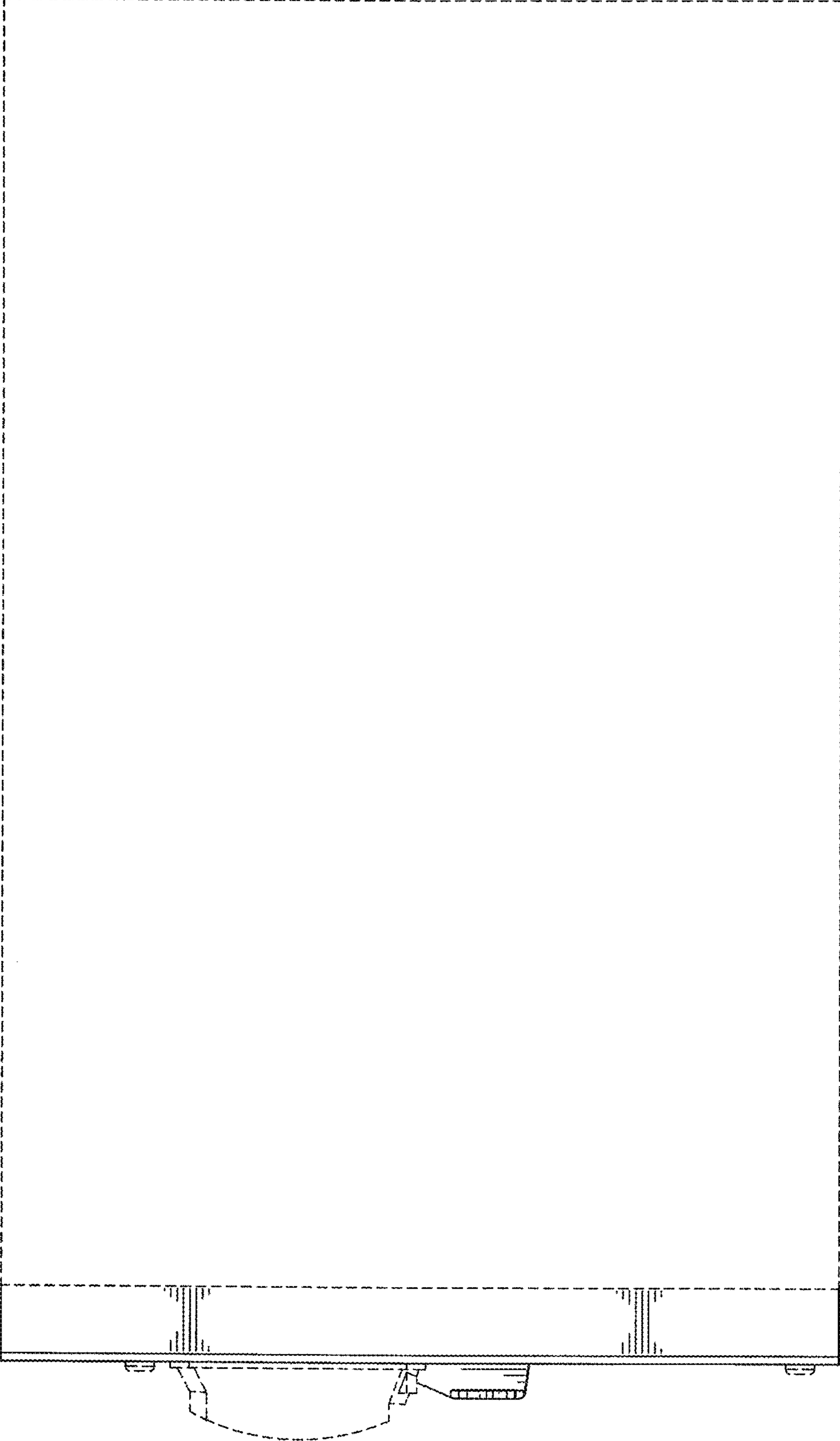


FIG. 4

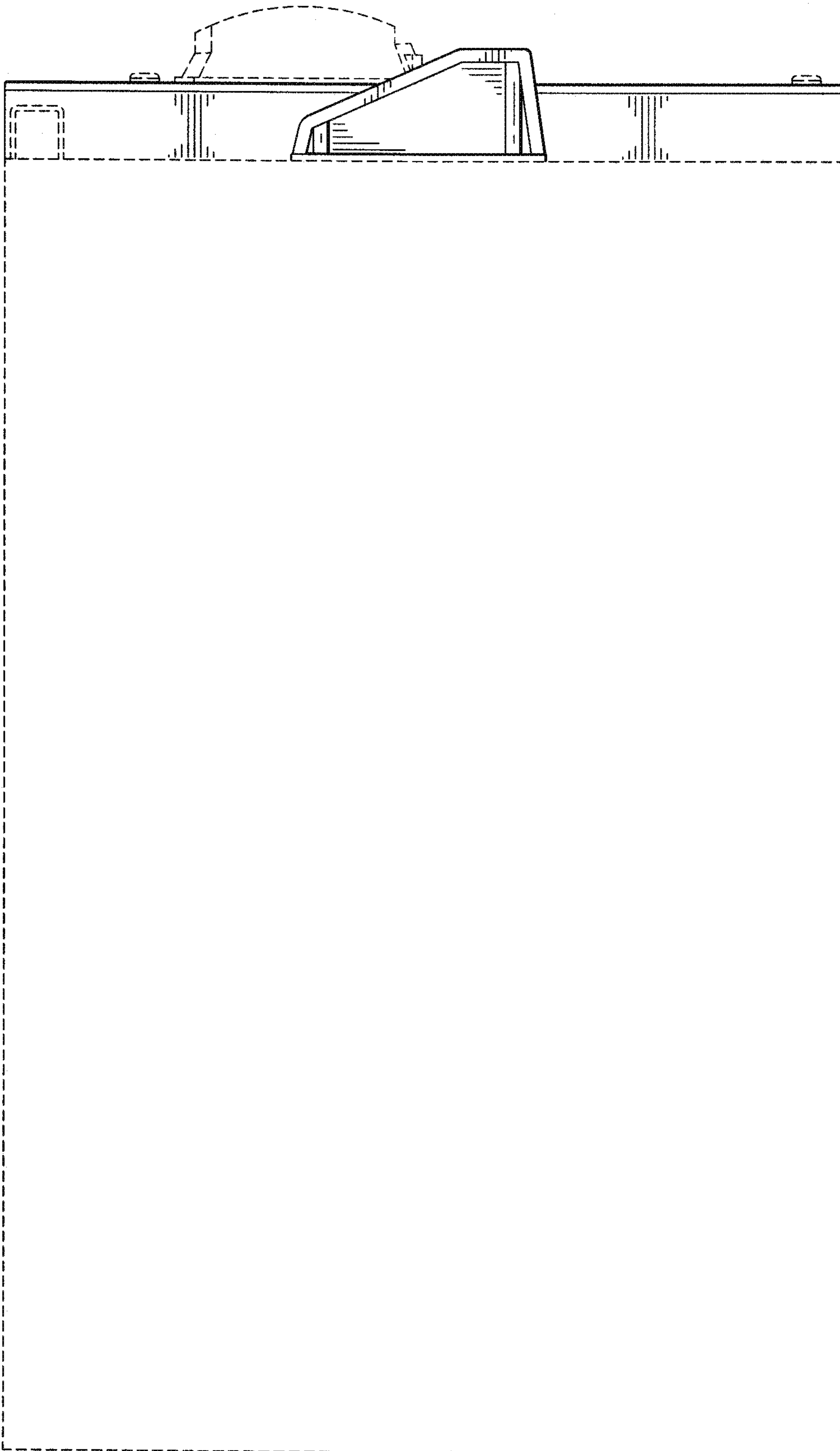


FIG. 5

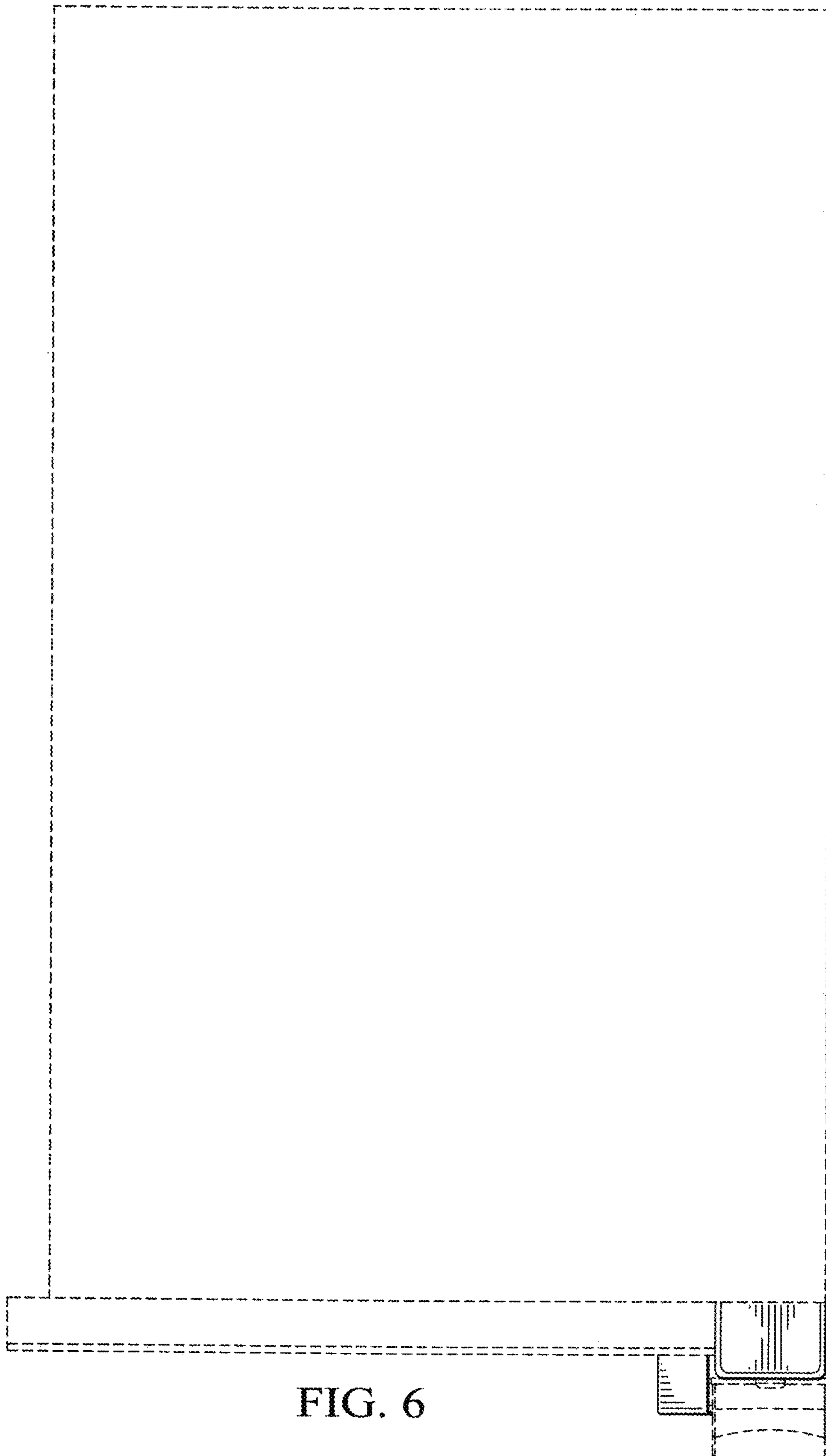


FIG. 6

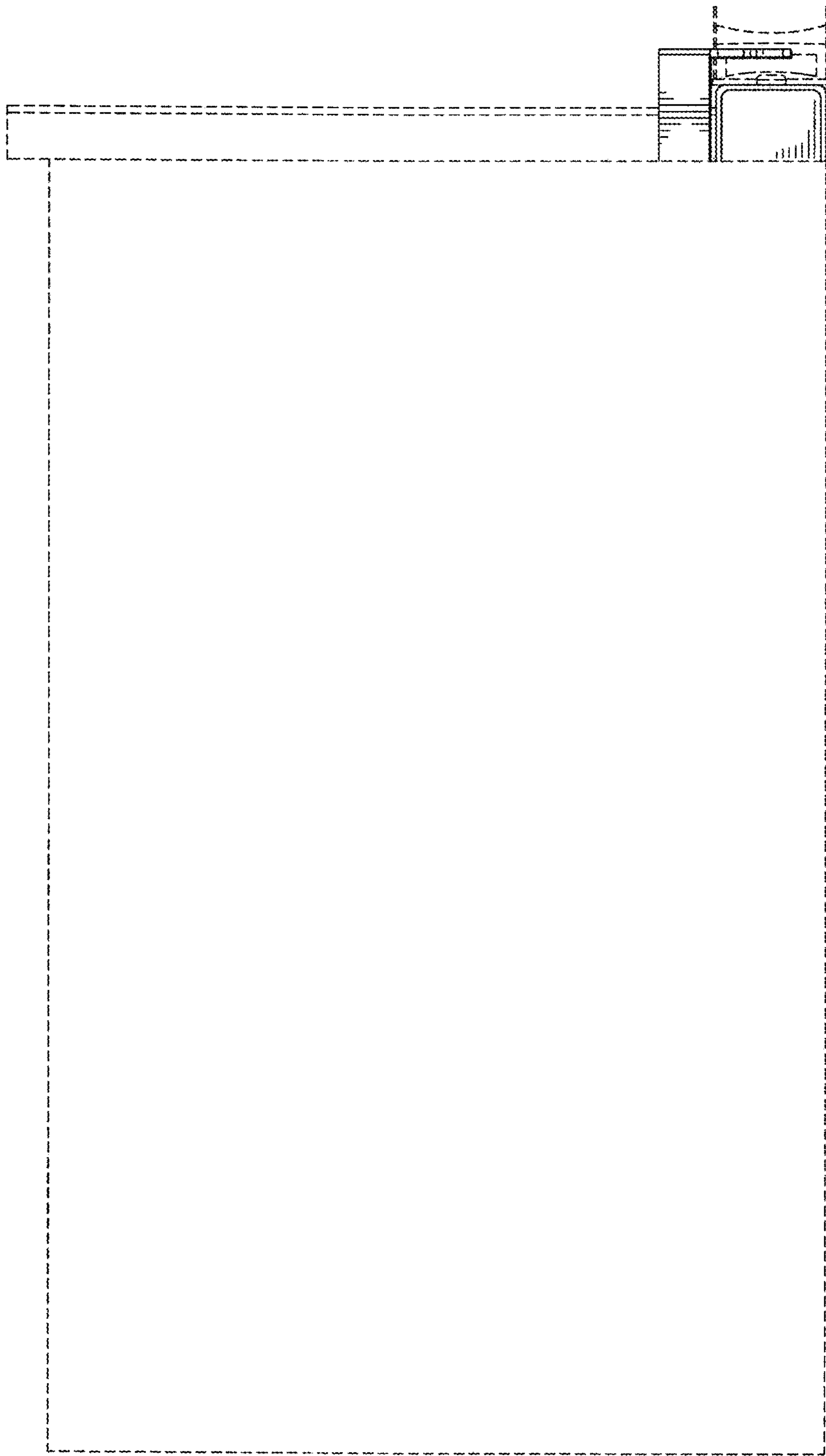


FIG. 7