



US00D777555S

(12) **United States Design Patent**  
**Owens et al.**

(10) **Patent No.:** **US D777,555 S**

(45) **Date of Patent:** **\*\* Jan. 31, 2017**

(54) **ROTOR LOCK**

(71) Applicant: **General Electric Company,**  
Schenectady, NY (US)

(72) Inventors: **Steven Owens,** Waterford, PA (US);  
**Robert Armbruster, Jr.,** Erie, PA (US);  
**Christopher Sheridan,** Erie, PA (US);  
**Scott Patrick Leute,** Waterford, PA  
(US); **Dennis Richter,** Fairview, PA  
(US); **James Samuel Bishar,** North  
East, PA (US)

(73) Assignee: **General Electric Company,**  
Schenectady, NY (US)

(\*\*) Term: **15 Years**

(21) Appl. No.: **29/551,007**

(22) Filed: **Jan. 8, 2016**

**Related U.S. Application Data**

(62) Division of application No. 29/508,695, filed on Nov.  
10, 2014, now Pat. No. Des. 747,174.

(51) **LOC (10) Cl.** ..... **08-07**

(52) **U.S. Cl.**  
USPC ..... **D8/330; D8/343**

(58) **Field of Classification Search**  
USPC ..... D8/330, 331, 333, 343, 349, 354, 352,  
D8/400, 499; 70/51, 57, 57.1, 177, 199,  
D8/431; 292/27, 111, 98, 257; 29/888.01,  
29/428; 46/160; 123/90.17, 90.16, 90.18,  
123/90.44; D14/483, 484  
CPC ..... B64C 27/00; B25B 13/00; H01H 27/00;  
H01H 27/06; E05B 21/00; E25B 23/00  
See application file for complete search history.

(56) **References Cited**

**U.S. PATENT DOCUMENTS**

3,617,978 A \* 11/1971 Gerstmeier ..... H01C 10/32  
338/164

6,240,755 B1 \* 6/2001 Da Silva ..... E05B 17/186  
292/336.3  
6,848,727 B1 \* 2/2005 Cetnar ..... E05B 81/20  
292/201  
6,860,450 B2 \* 3/2005 Muylaert ..... B64C 27/50  
244/17.11  
D525,111 S \* 7/2006 Farrell ..... D8/331  
D665,244 S \* 8/2012 Weinerman ..... D8/330

(Continued)

*Primary Examiner* — Prabhakar Deshmukh  
(74) *Attorney, Agent, or Firm* — John A. Kramer; Global  
Patent Operation

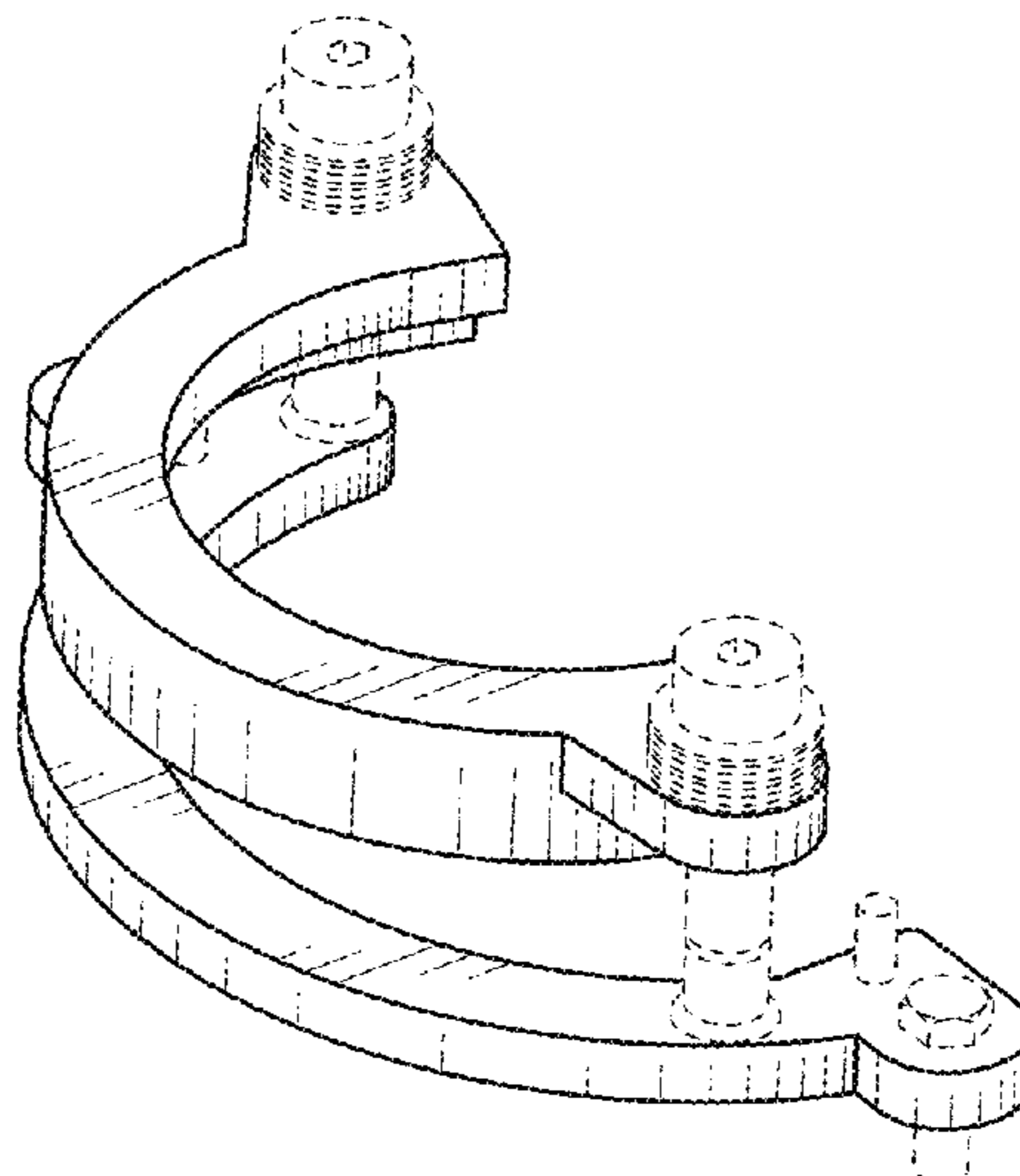
(57) **CLAIM**

The ornamental design for a rotor lock, as shown and  
described.

**DESCRIPTION**

FIG. 1 is a perspective view of a rotor lock showing a first  
embodiment of our new design;  
FIG. 2 is another perspective view thereof;  
FIG. 3 is a top plan view thereof;  
FIG. 4 is a bottom plan view thereof;  
FIG. 5 is a left side elevational view thereof;  
FIG. 6 is a right side elevational view thereof;  
FIG. 7 is a front elevational view thereof;  
FIG. 8 is a rear elevational view thereof;  
FIG. 9 is a perspective view of a rotor lock showing a second  
embodiment of our new design;  
FIG. 10 is another perspective view thereof;  
FIG. 11 is a top plan view thereof;  
FIG. 12 is a bottom plan view thereof;  
FIG. 13 is a left side elevational view thereof;  
FIG. 14 is a right side elevational view thereof;  
FIG. 15 is a front elevational view thereof; and,  
FIG. 16 is a rear elevational thereof.  
The broken lines indicate unclaimed portions and form no  
part of the claimed design.

**1 Claim, 6 Drawing Sheets**



(56)

**References Cited**

U.S. PATENT DOCUMENTS

8,544,431 B2 \* 10/2013 Riley ..... F01L 13/0021  
123/90.16  
D692,743 S \* 11/2013 Liu ..... D8/331  
D706,607 S \* 6/2014 Mattson ..... D8/330  
8,944,766 B2 \* 2/2015 Nielsen ..... F03D 1/003  
416/169 R

\* cited by examiner

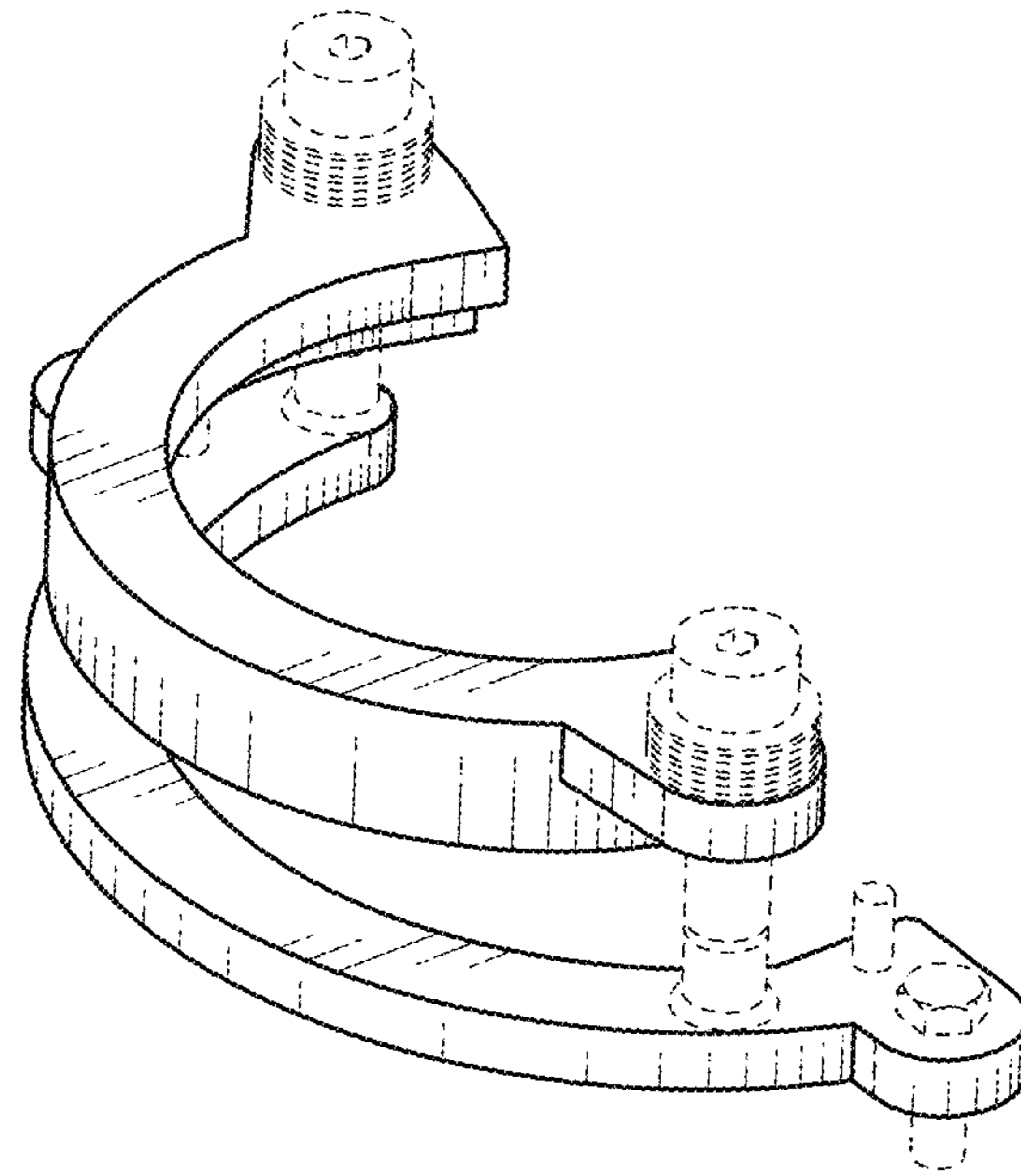


FIG. 1

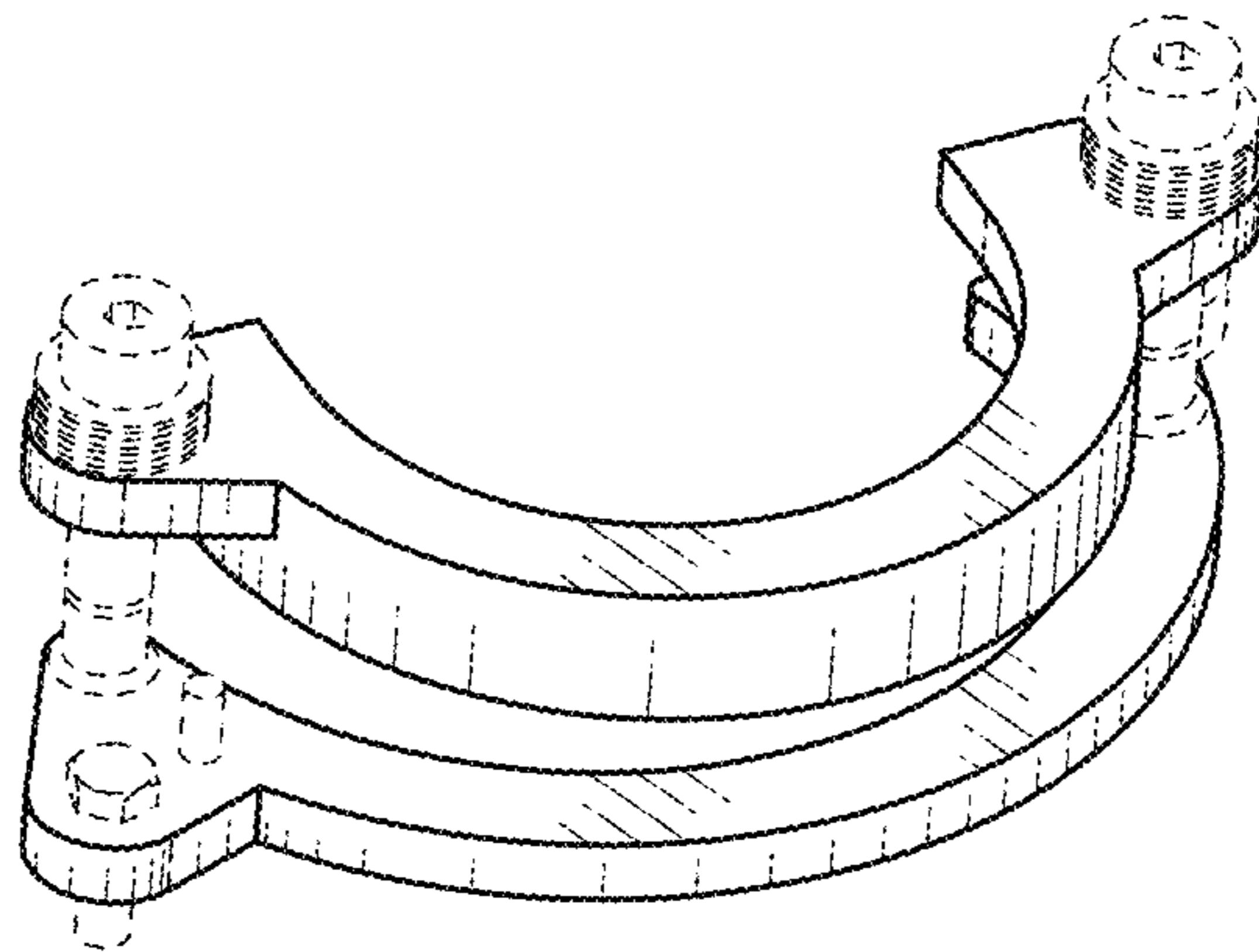


FIG. 2

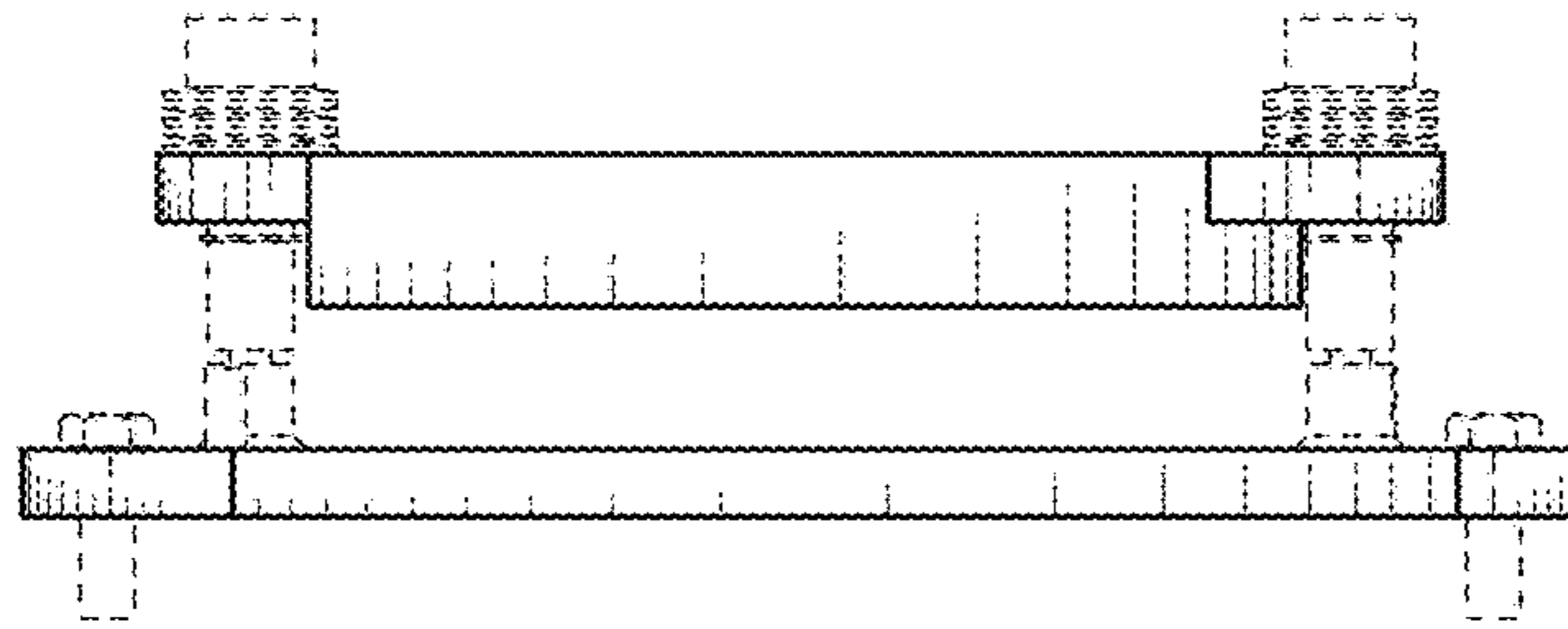


FIG. 3

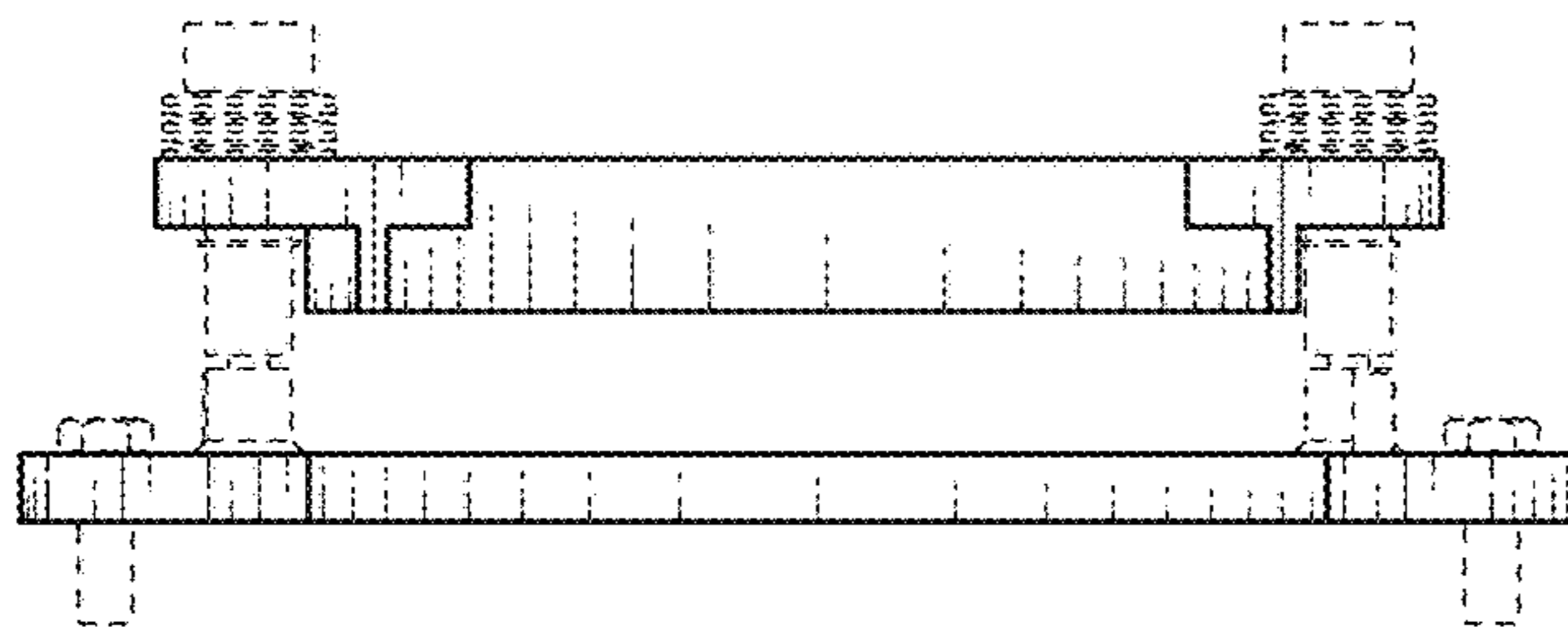


FIG. 4

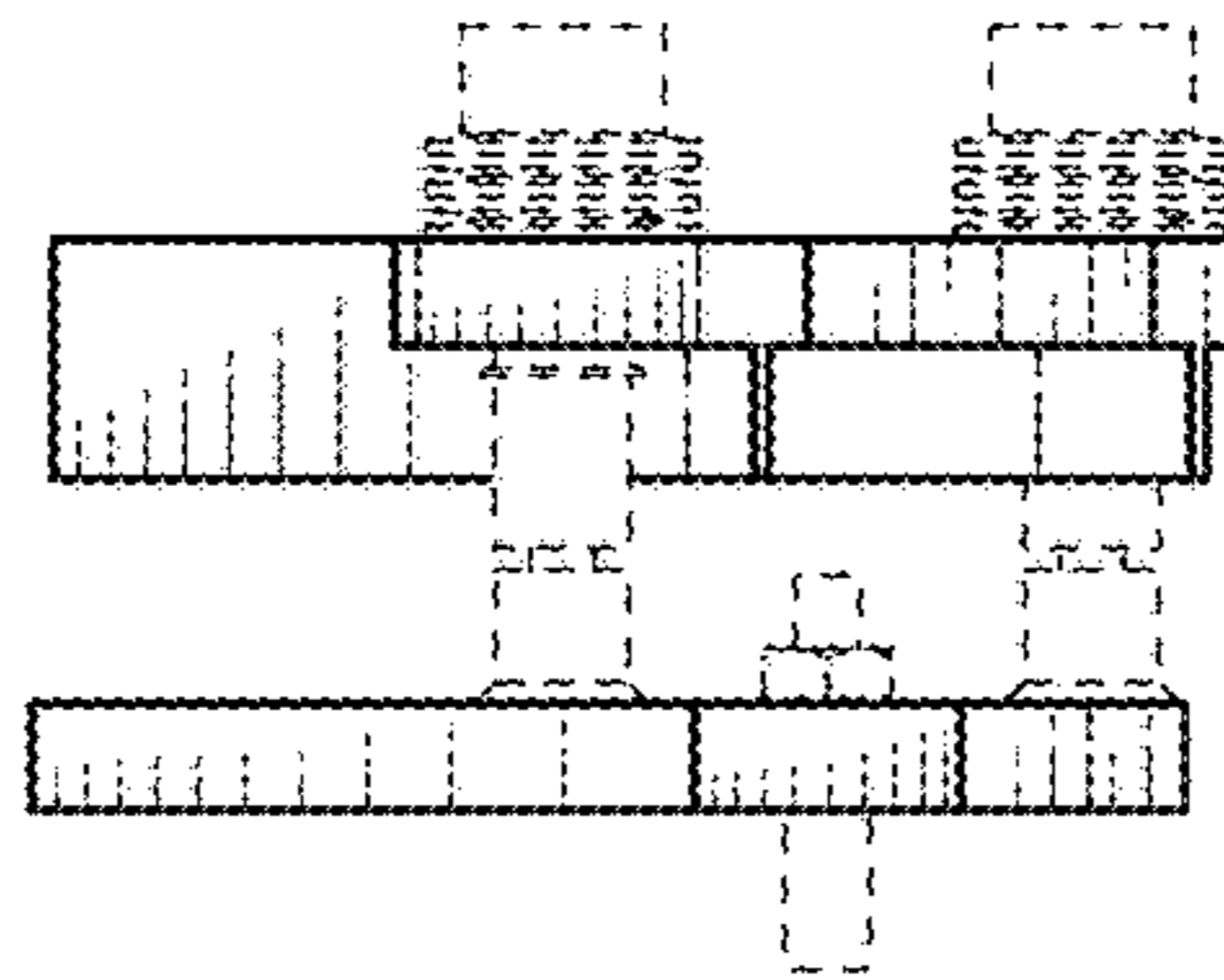


FIG. 5

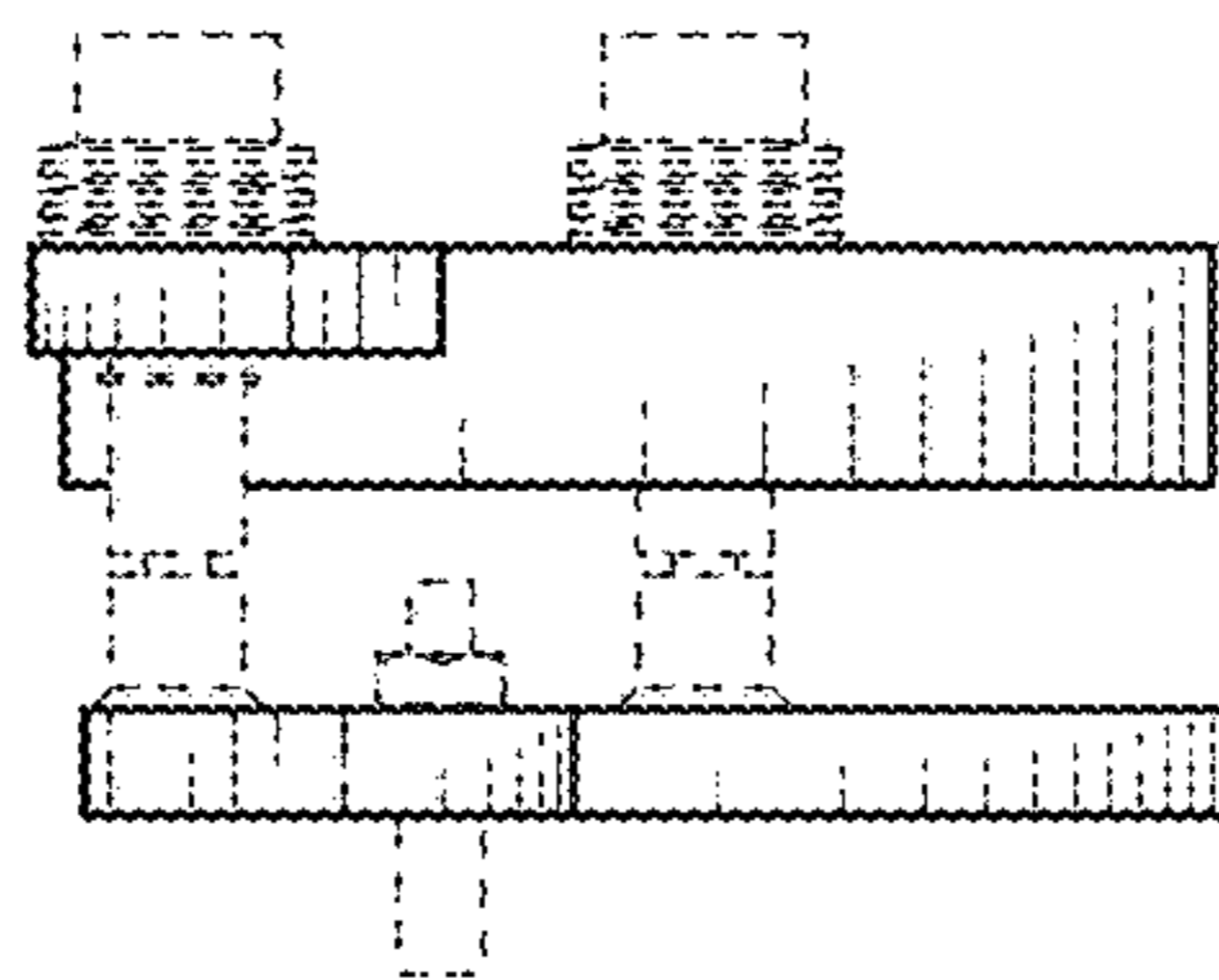


FIG. 6

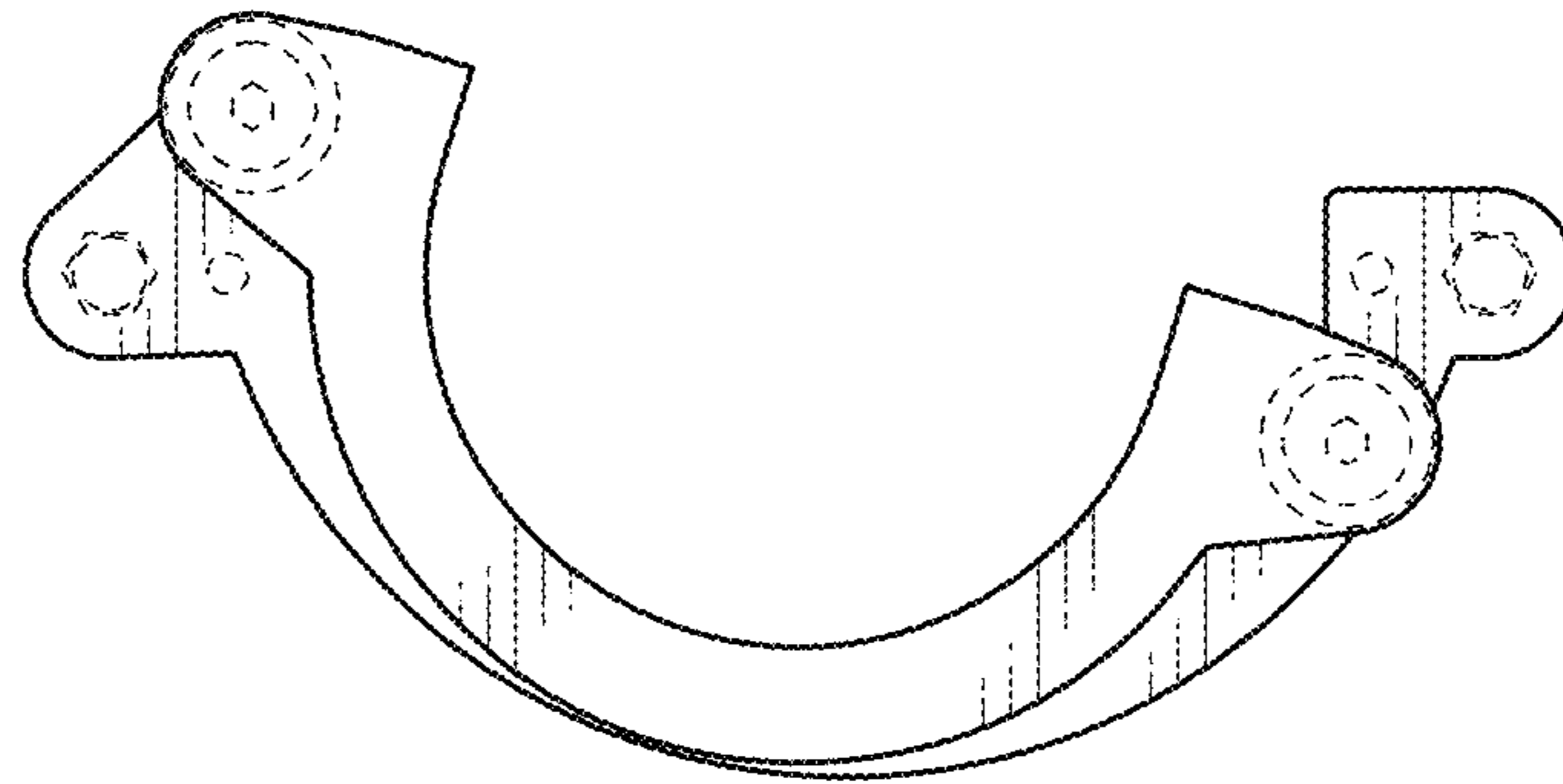


FIG. 7

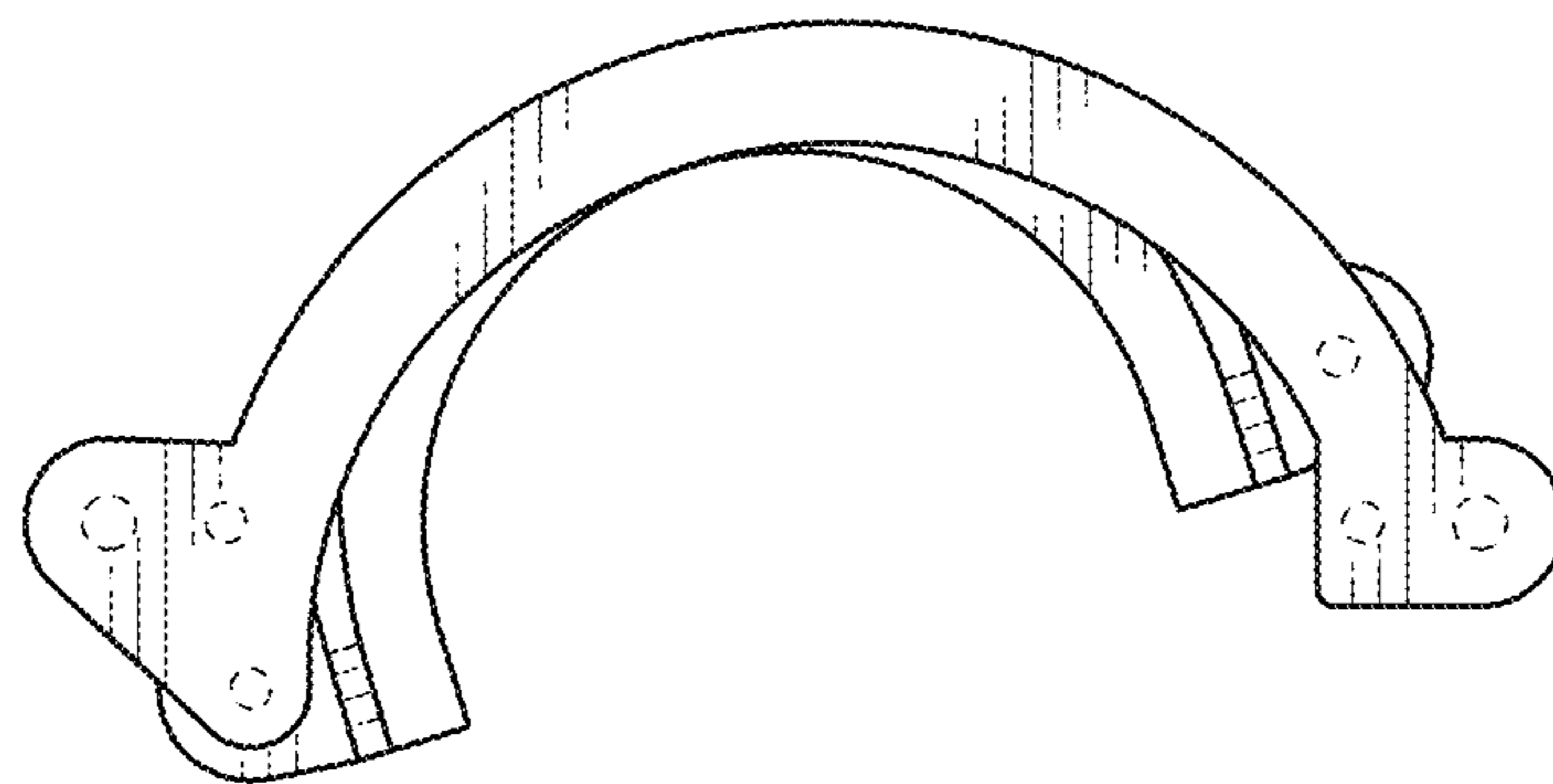


FIG. 8



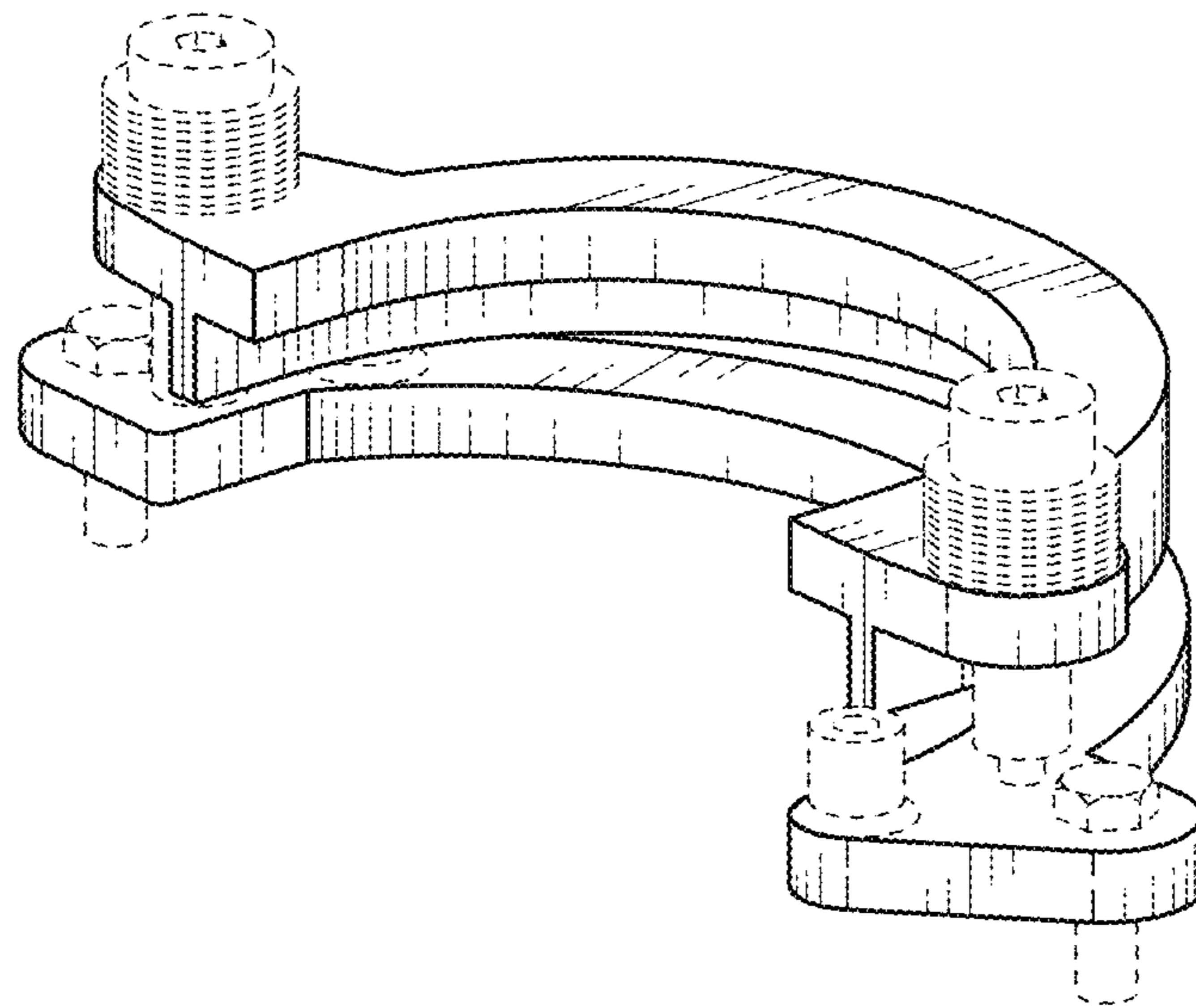


FIG. 9

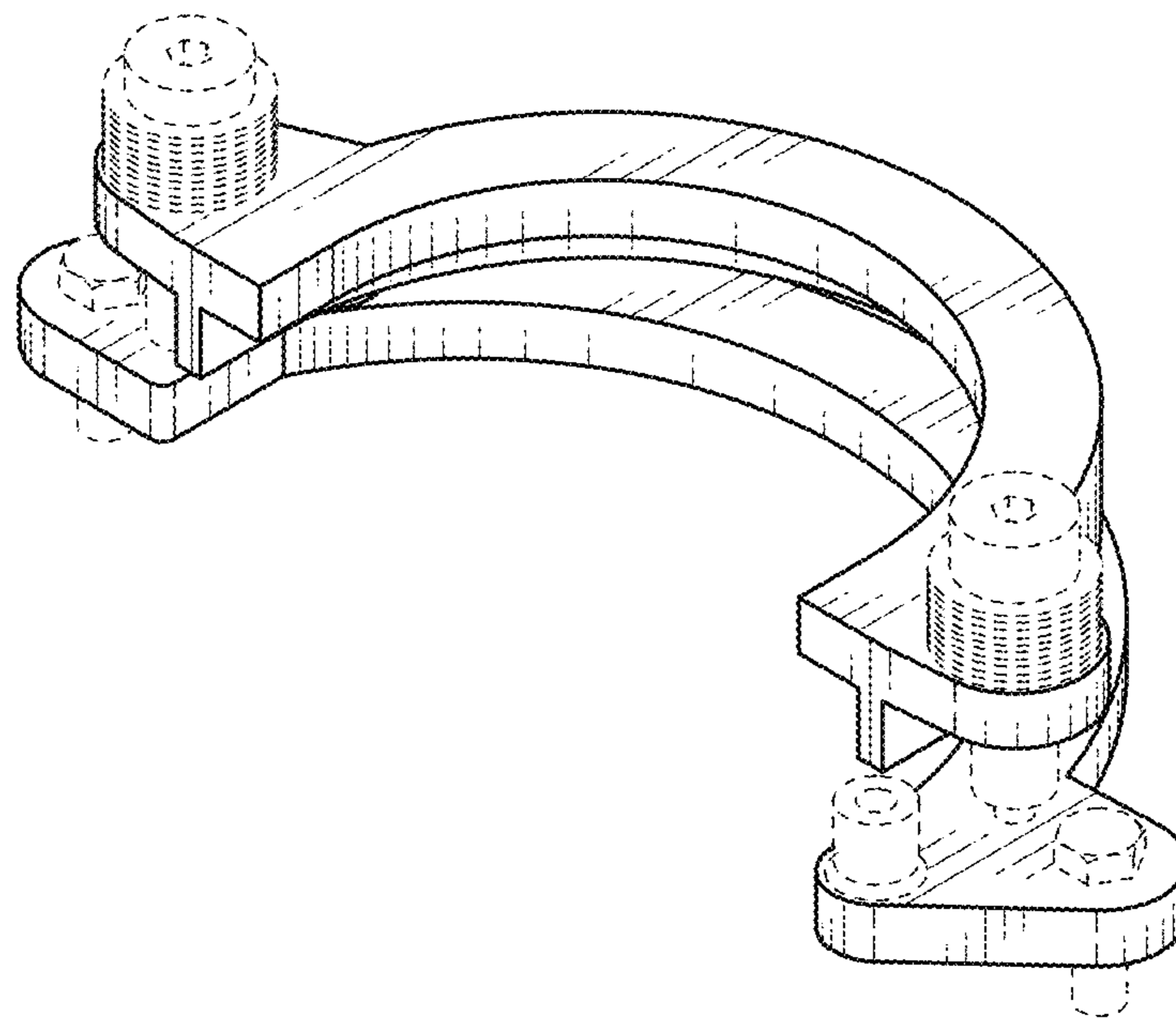


FIG. 10

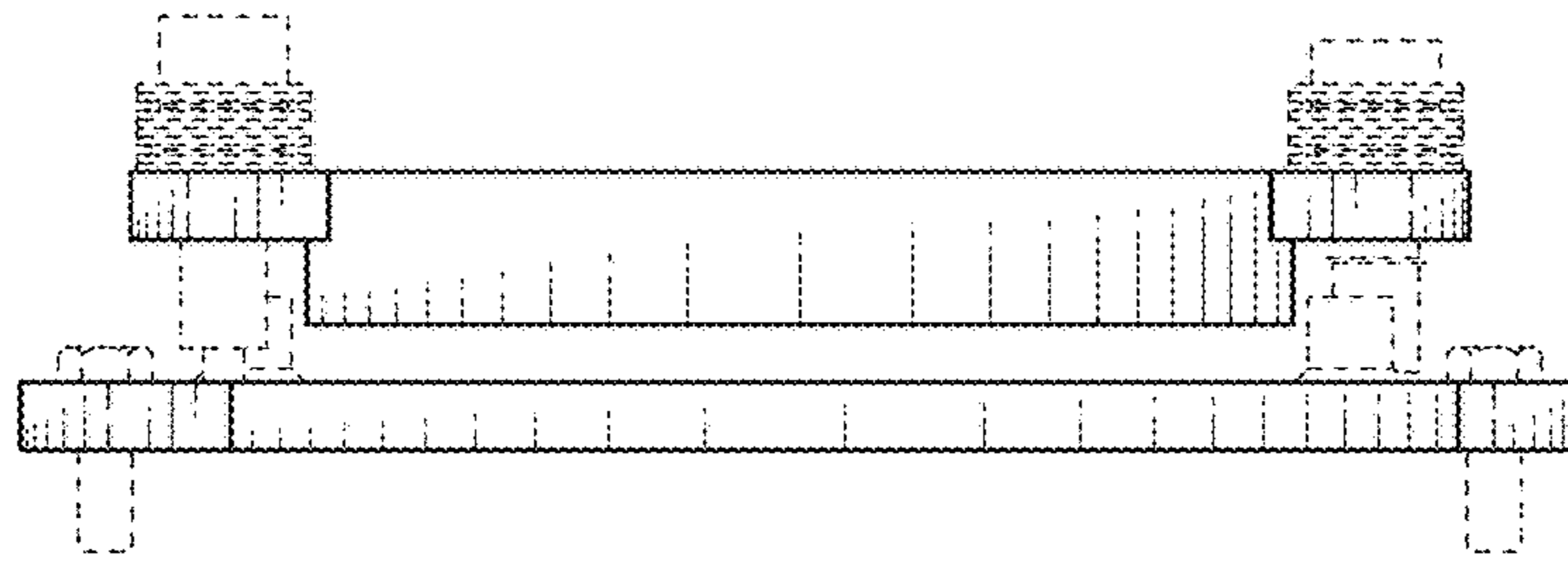


FIG. 11

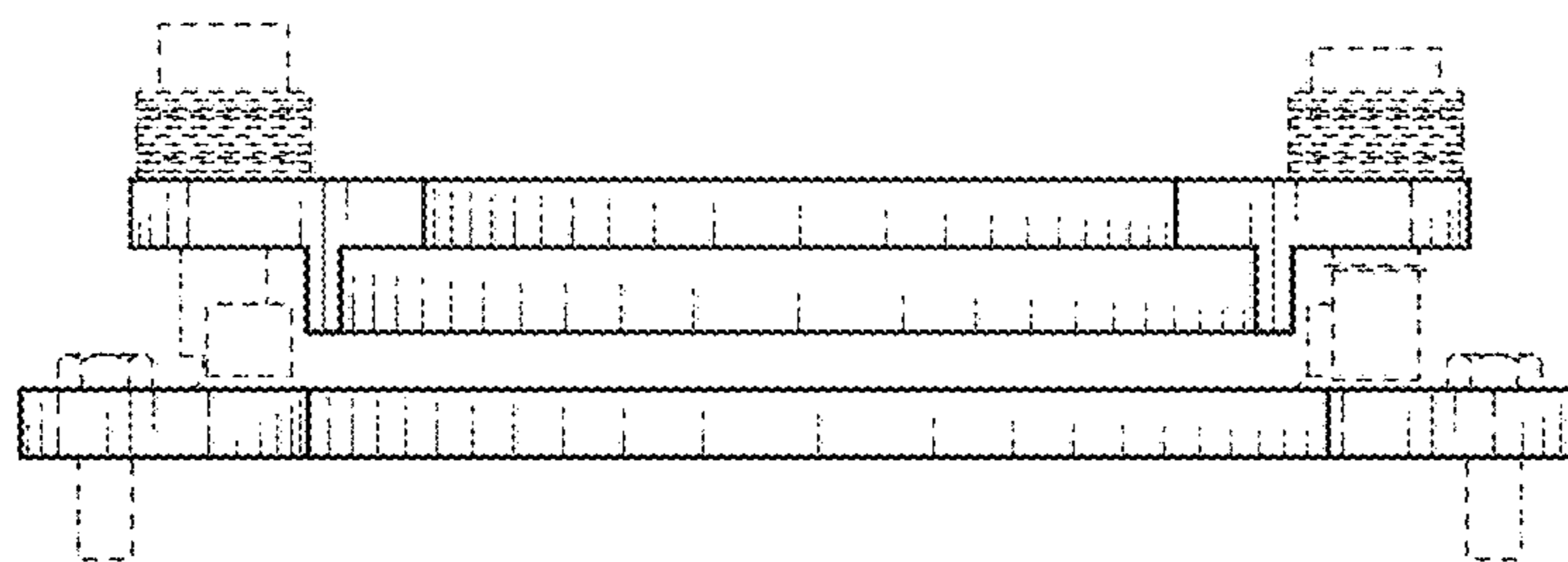


FIG. 12

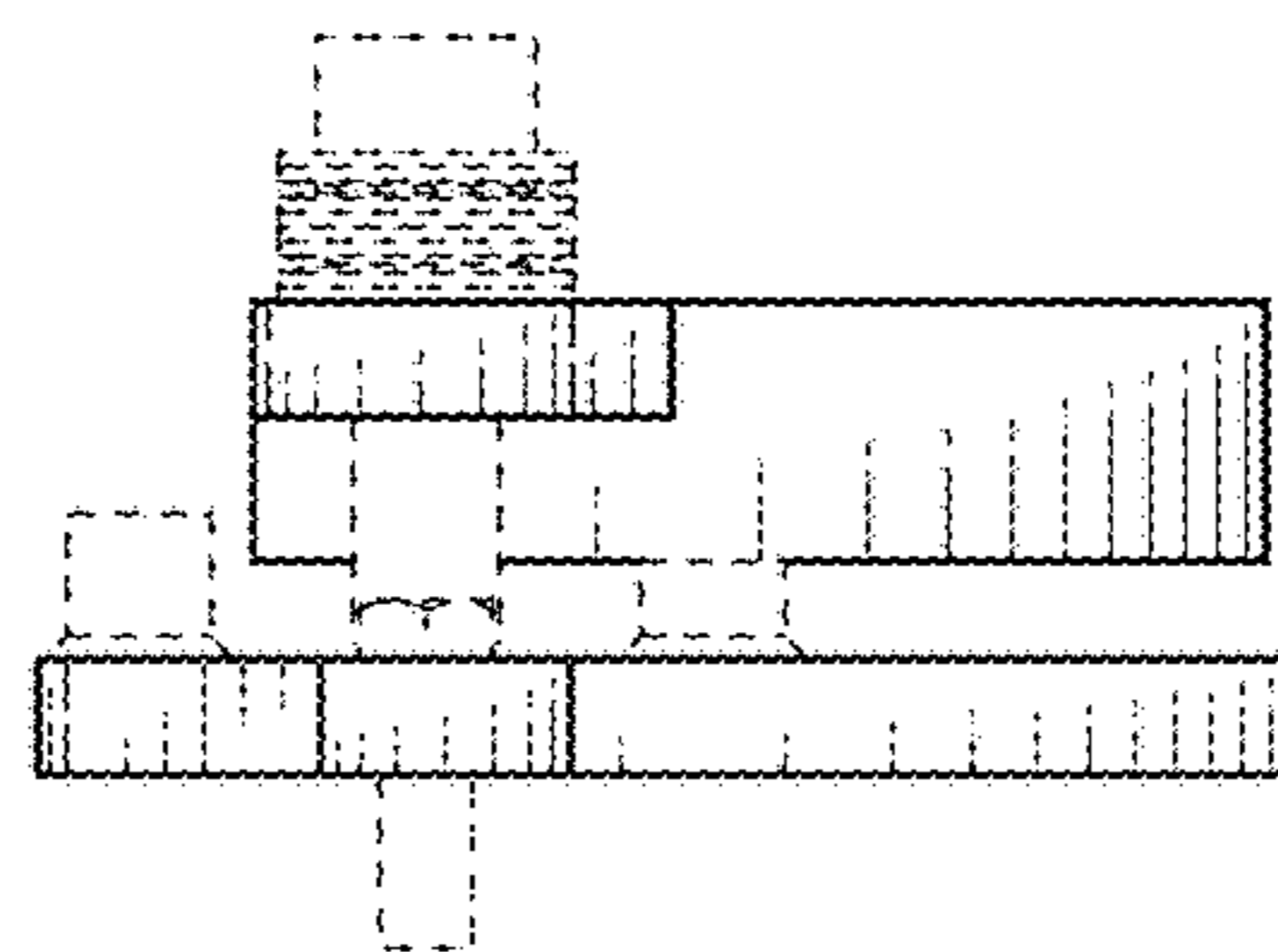


FIG. 13

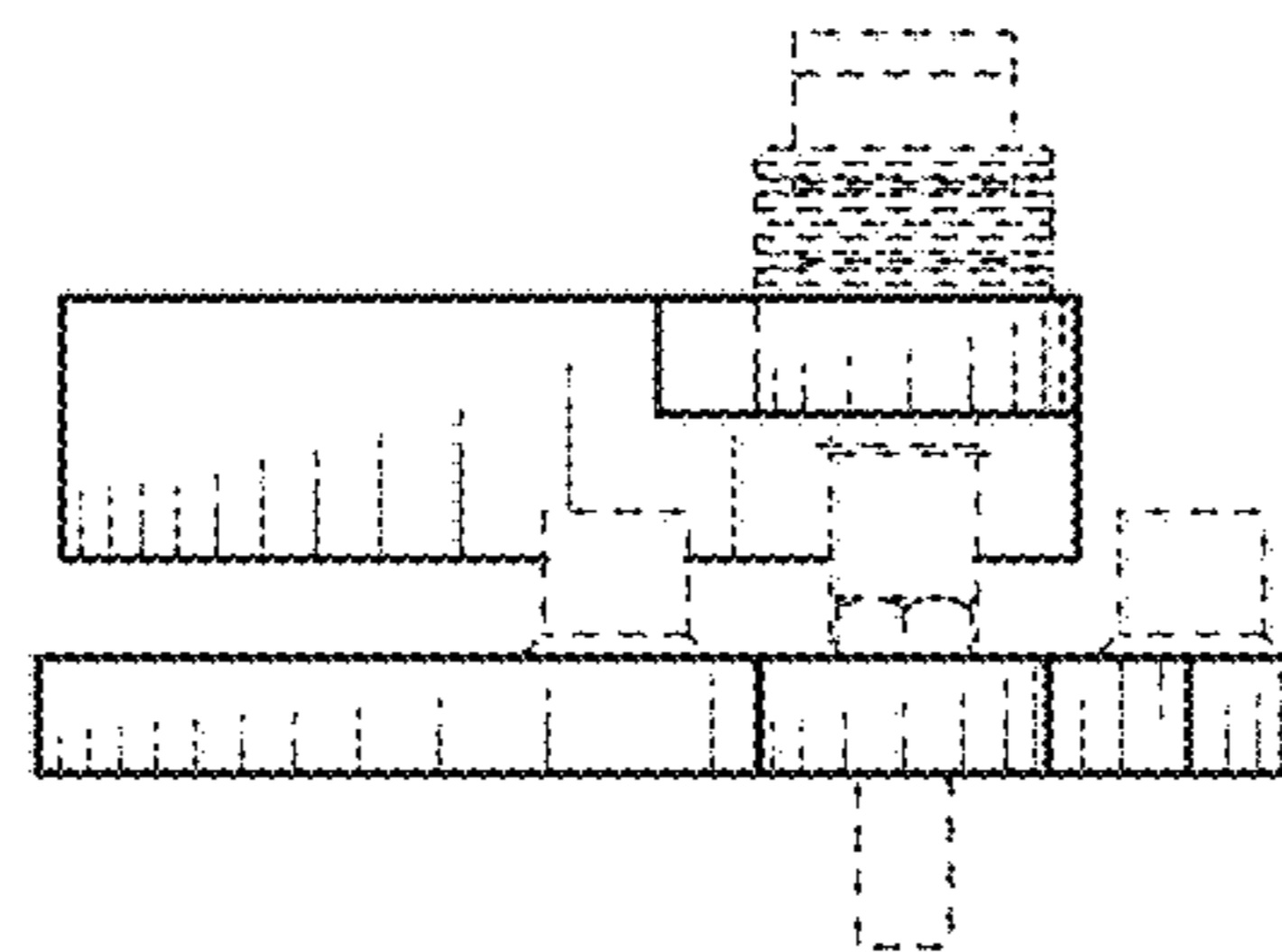


FIG. 14

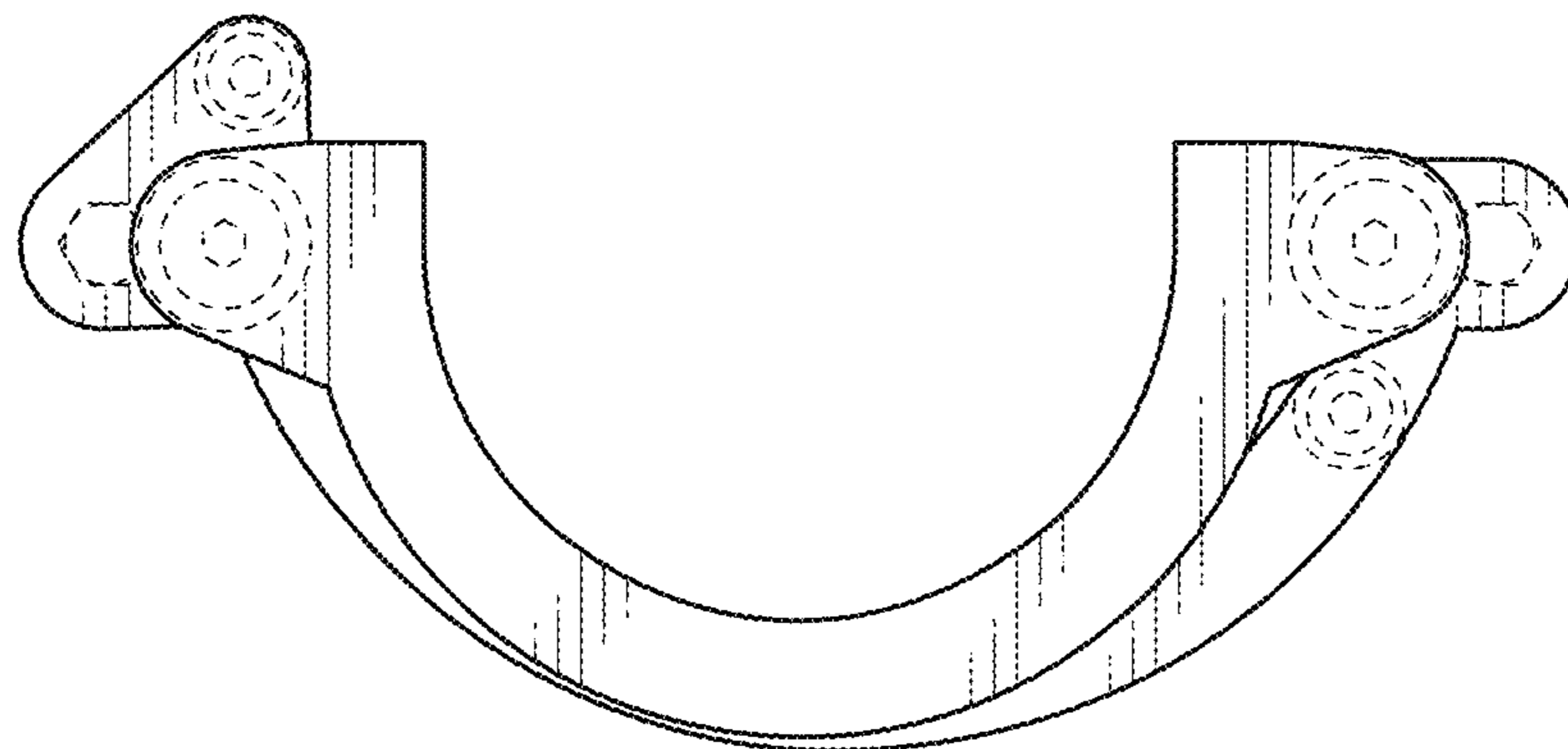


FIG. 15

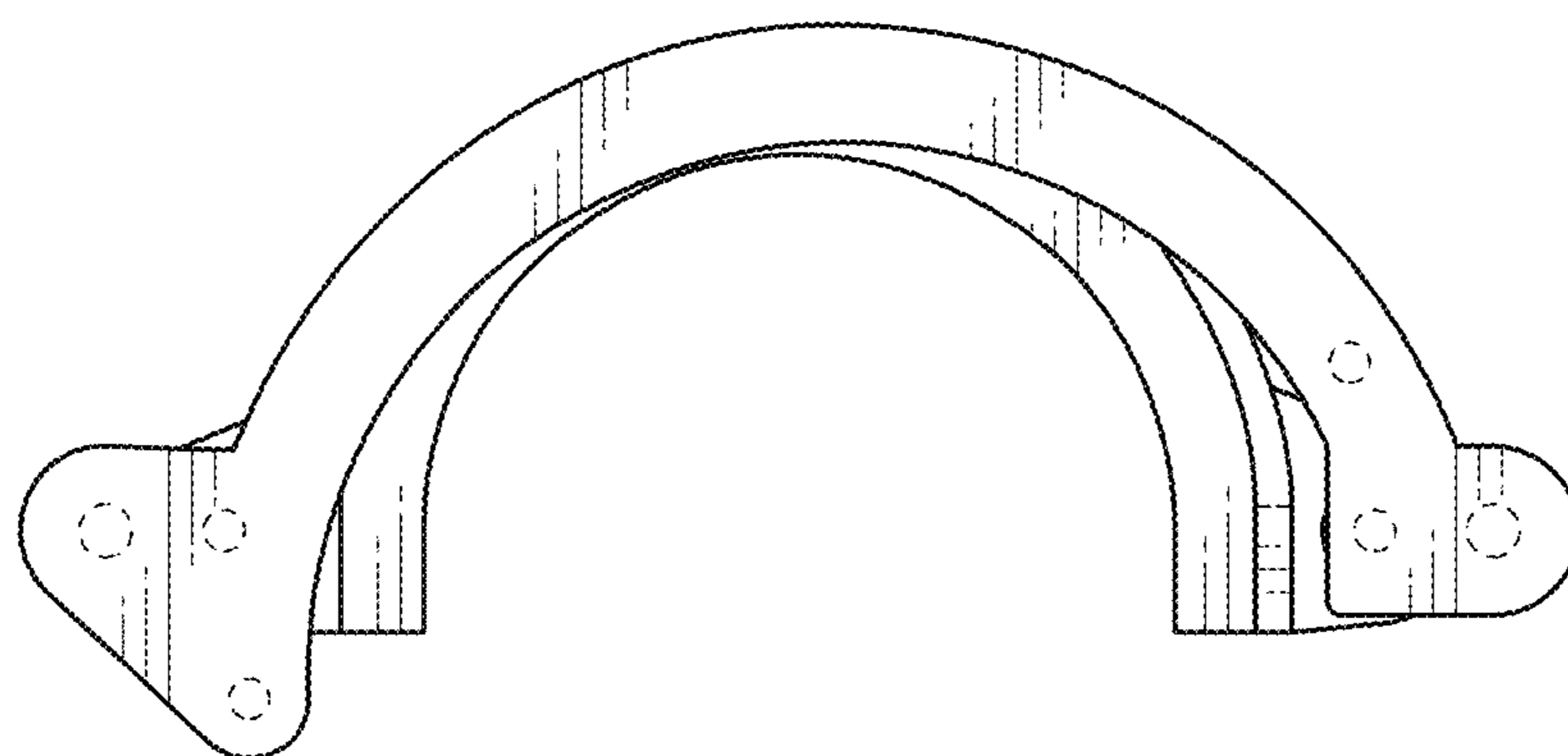


FIG. 16



UNITED STATES PATENT AND TRADEMARK OFFICE  
**CERTIFICATE OF CORRECTION**

PATENT NO. : D777,555 S  
APPLICATION NO. : 29/551007  
DATED : January 31, 2017  
INVENTOR(S) : Steven Owens et al.

Page 1 of 1

It is certified that error appears in the above-identified patent and that said Letters Patent is hereby corrected as shown below:

On the Title Page

In Item (72), under "Inventors", in Column 1, Line 2, delete "Robert" and insert  
-- Robert Albert --, therefor.

Signed and Sealed this  
Second Day of May, 2017



Michelle K. Lee  
*Director of the United States Patent and Trademark Office*