



US00D777554S

(12) **United States Design Patent**
Elbaz et al.

(10) **Patent No.:** **US D777,554 S**
(45) **Date of Patent:** **** Jan. 31, 2017**

(54) **HINGE PIN**
(71) Applicant: **Edna Elbaz**, Neponsit, NY (US)
(72) Inventors: **Michael Elbaz**, New York, NY (US);
Shimon Elbaz, Neponsit, NY (US); **Gil H. Elbaz**, Belle Harbor, NY (US)
(73) Assignee: **Superflex, Ltd.**, Brooklyn, NY (US)
(**) Term: **15 Years**
(21) Appl. No.: **29/529,500**
(22) Filed: **Jun. 8, 2015**
(51) **LOC (10) Cl.** **08-06**
(52) **U.S. Cl.**
USPC **D8/323**
(58) **Field of Classification Search**
USPC D8/391, 323
CPC E05D 11/02; E05D 5/00; E05D 11/00;
A47K 13/12
See application file for complete search history.

8,701,247 B1 * 4/2014 Shargh E05D 11/02
16/274
D714,614 S * 10/2014 Sarnowski D8/323
D715,127 S * 10/2014 Shargh D8/323
D716,644 S * 11/2014 Daniels D8/391
D719,798 S * 12/2014 Thompson D8/1
D733,547 S * 7/2015 Mazur D8/387
D734,139 S * 7/2015 Miura D8/391
D742,187 S * 11/2015 Thompson D8/1

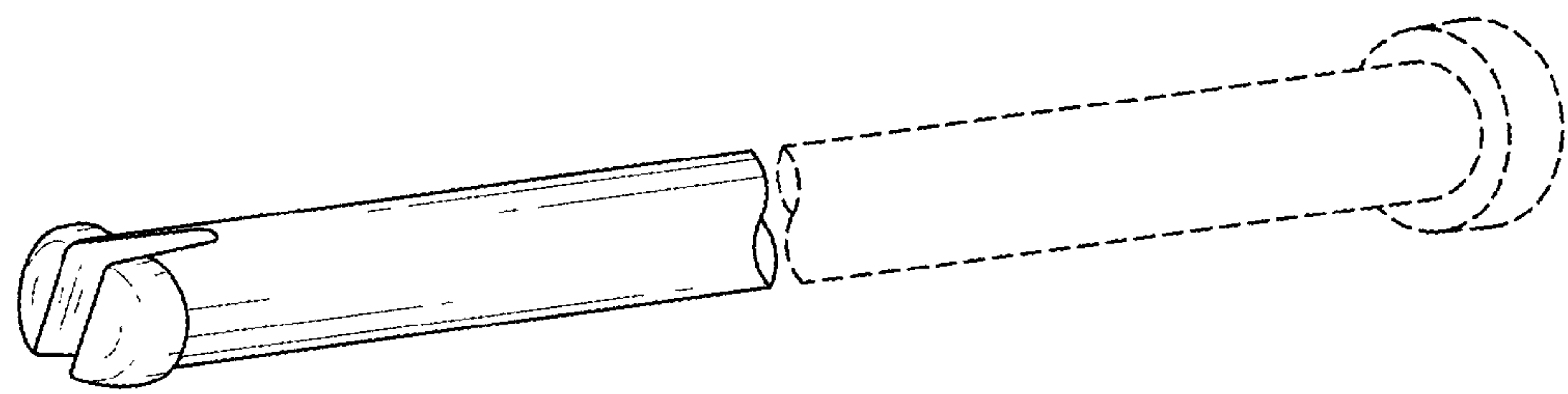
* cited by examiner
Primary Examiner — Cynthia Underwood
(74) *Attorney, Agent, or Firm* — Seth Natter; Natter & Natter

(57) **CLAIM**
The ornamental design for a hinge pin, as shown and described.

DESCRIPTION
FIG. 1 is an isometric view of an hinge pin showing my new design;
FIG. 2 is a side elevational view thereof, the opposite side being a mirror image thereof;
FIG. 3 is a top plan view thereof, the bottom view being a mirror image thereof;
FIG. 4 is a front elevational view thereof; and,
FIG. 5 is a rear elevational view thereof.
The broken lines represent environment that forms no part of the claim.

(56) **References Cited**
U.S. PATENT DOCUMENTS
5,771,538 A * 6/1998 Huppert, Sr. E05D 11/02
16/274
7,934,927 B2 * 5/2011 Yazdi A61C 7/00
433/18
D649,006 S * 11/2011 Johnson D8/323

1 Claim, 1 Drawing Sheet



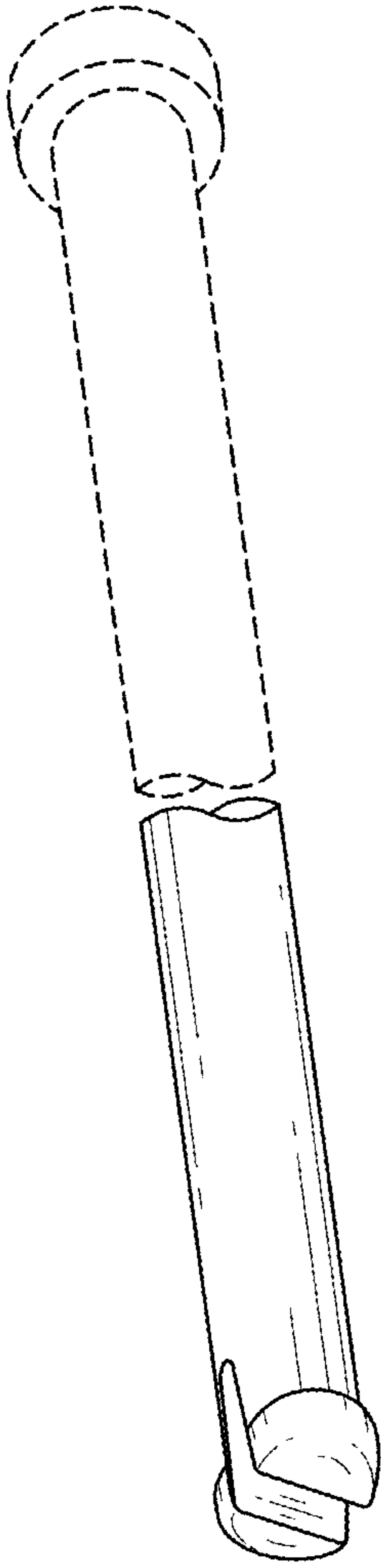


Fig. 1

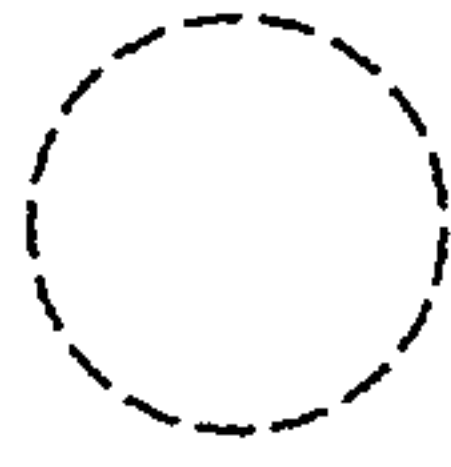


Fig. 5

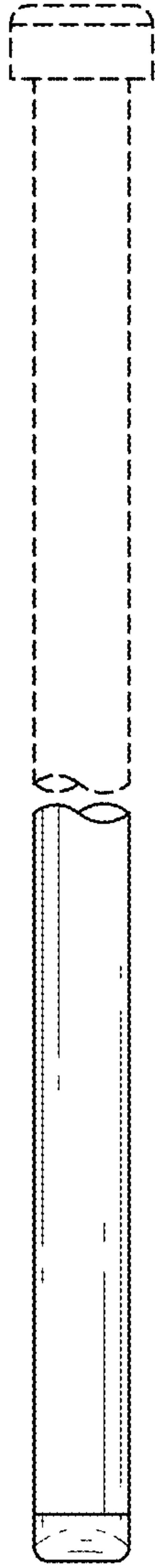


Fig. 2

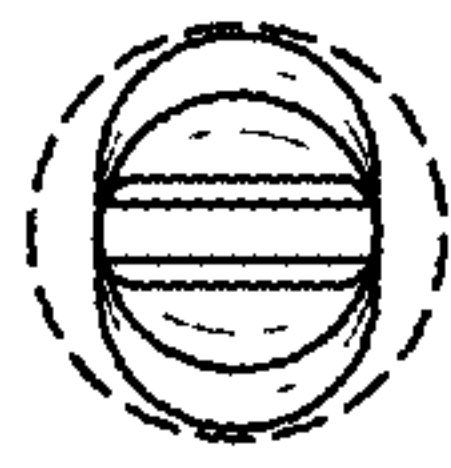


Fig. 4

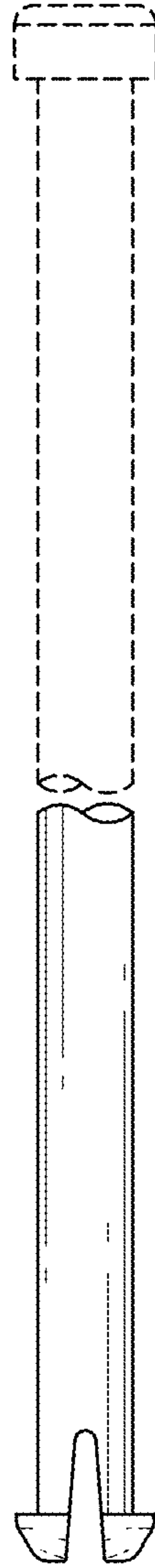


Fig. 3