



US00D777551S

(12) **United States Design Patent**
Huang

(10) **Patent No.:** **US D777,551 S**

(45) **Date of Patent:** **** Jan. 31, 2017**

- (54) **SCREWDRIVER HANDLE**
- (71) Applicant: **Po-Tsang Huang**, Taichung (TW)
- (72) Inventor: **Po-Tsang Huang**, Taichung (TW)
- (**) Term: **14 Years**
- (21) Appl. No.: **29/503,961**
- (22) Filed: **Oct. 1, 2014**
- (51) **LOC (10) Cl.** **08-04**
- (52) **U.S. Cl.**
USPC **D8/83**
- (58) **Field of Classification Search**
USPC ... D8/21, 24-26, 29, 61, 82-87, 107; 81/52,
81/53.1, 58.3, 177.1-177.4, 177.7,
81/438-439, 467, 480, 489-491
CPC B25B 13/56; B25B 15/00; B25B 15/007;
B25B 15/02; B25B 23/106; B25B 23/12;
B25B 23/18; B25F 1/04; B25G
1/085; D06F 53/005; D06F 57/00
See application file for complete search history.

6,877,186	B2 *	4/2005	Shiao	B25G 1/005
					16/111.1
7,047,846	B1 *	5/2006	Hu	B25G 1/066
					16/111.1
D551,530	S *	9/2007	Hirsch	D8/107
7,287,450	B1 *	10/2007	Liao	B25B 15/02
					81/177.7
D603,677	S *	11/2009	Hi	D8/83
D618,077	S *	6/2010	Merten	D8/29
D687,696	S *	8/2013	Nieto	D8/84
D688,109	S *	8/2013	Vanderbeek	D8/61
8,656,811	B2 *	2/2014	Ho	B25G 1/066
					81/177.5
2009/0223329	A1 *	9/2009	Hi	B25G 1/085
					81/177.8

* cited by examiner

Primary Examiner — Philip S Hyder
Assistant Examiner — Roselyne Cody

(57) **CLAIM**

The ornamental design for a screwdriver handle, as shown and described.

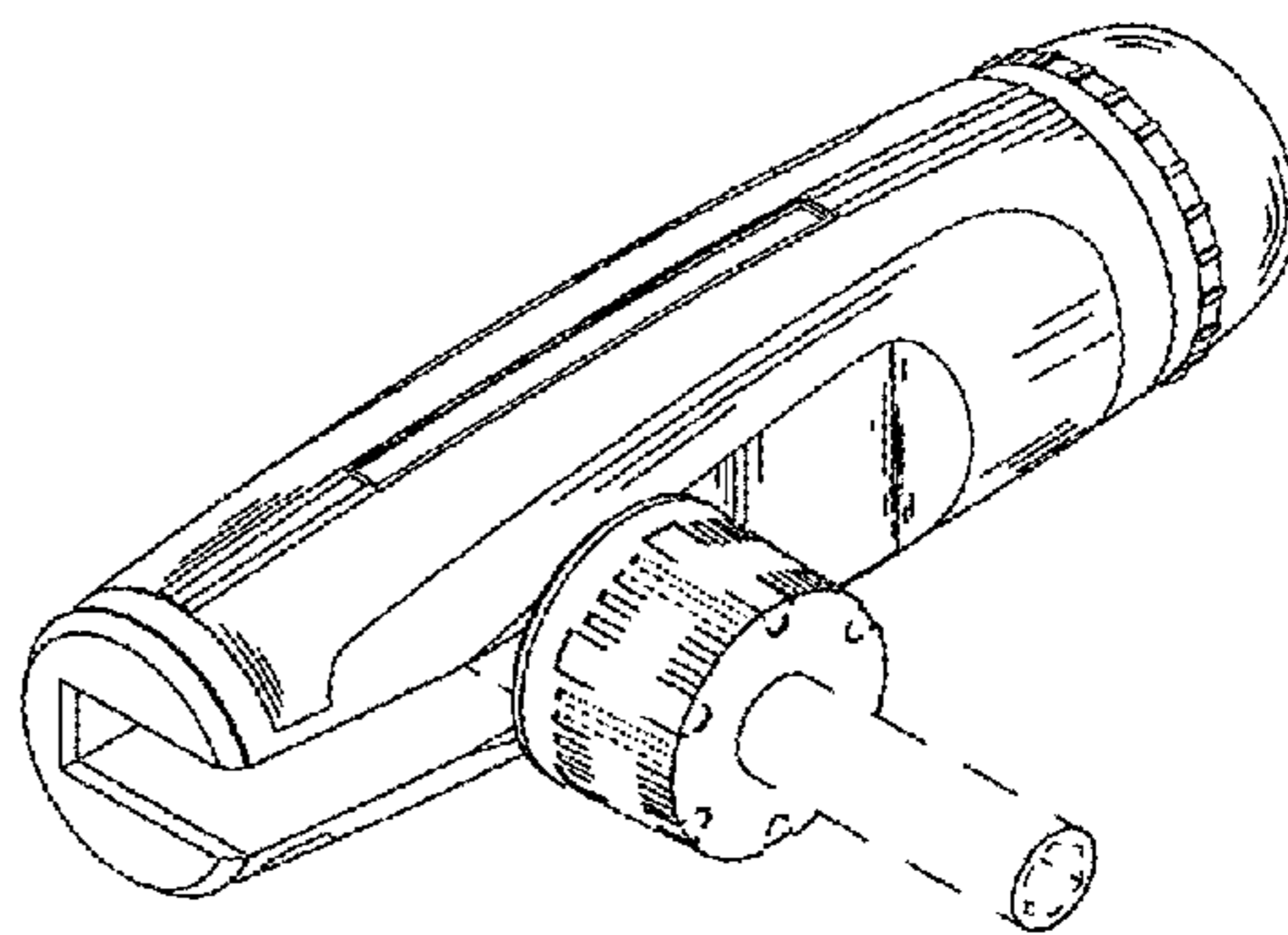
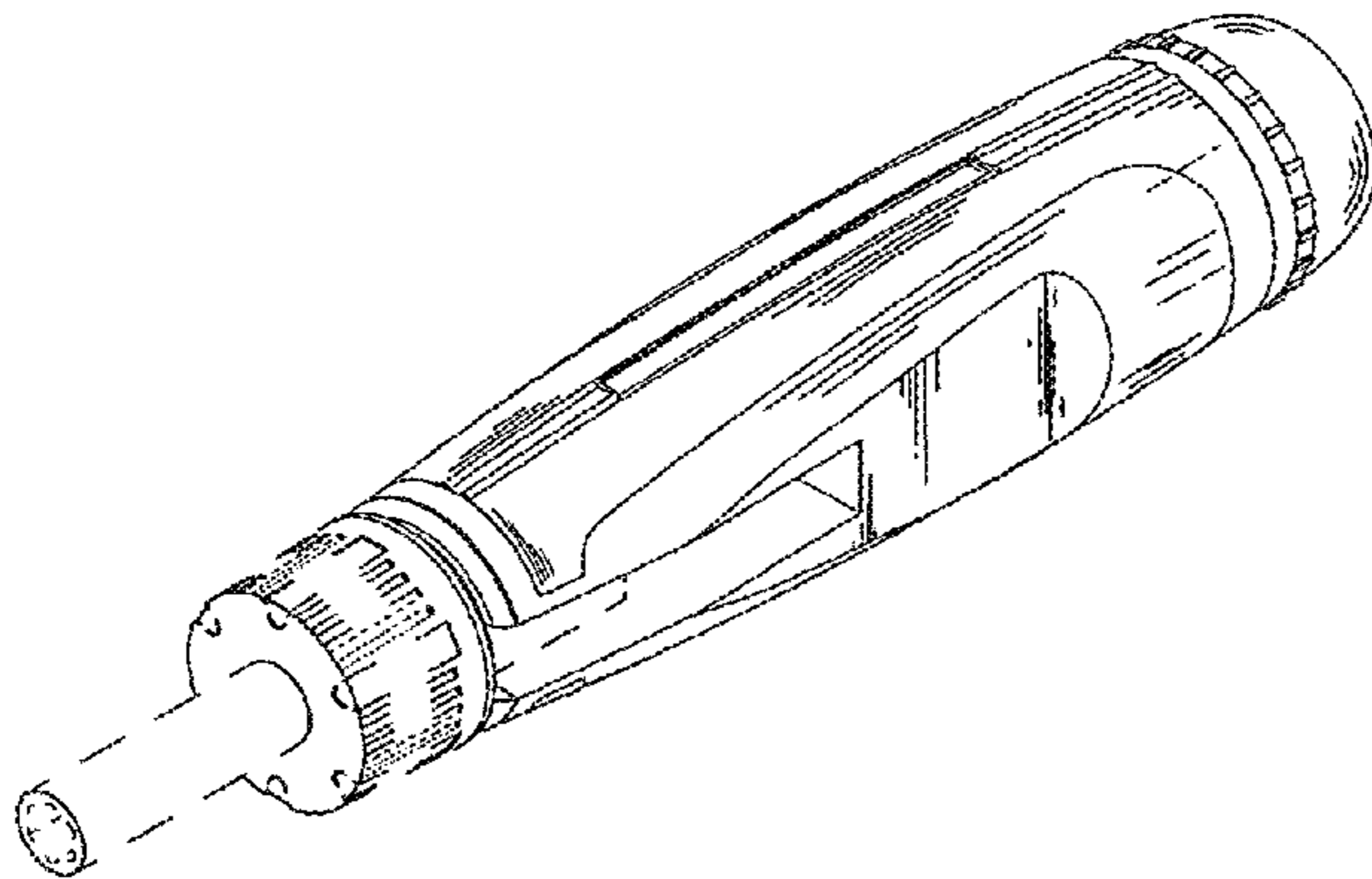
DESCRIPTION

FIG. 1 is a perspective view of a screwdriver handle showing my new design;
FIG. 2 is a front elevational view thereof;
FIG. 3 is a rear elevational view thereof;
FIG. 4 is a left side elevational view thereof;
FIG. 5 is a left side elevational view thereof;
FIG. 6 is a top plan view thereof;
FIG. 7 is a bottom plan view thereof; and,
FIG. 8 is an illustration of applying the present invention. The broken lines shown in FIGS. 1-2 and 4-8 depict portions of the screwdriver handle that form no part of the claim.

1 Claim, 8 Drawing Sheets

(56) **References Cited**
U.S. PATENT DOCUMENTS

D167,058	S *	6/1952	Rhodes	81/440
5,069,091	A *	12/1991	Bramsiepe	B25G 1/066
					81/177.5
D423,897	S *	5/2000	Cooper	D8/61
6,386,075	B1 *	5/2002	Shiao	B25G 1/066
					16/438
6,397,708	B1 *	6/2002	Hung	B25G 1/066
					81/177.7
6,401,576	B1 *	6/2002	Wu	B25G 1/066
					81/177.4
D481,612	S *	11/2003	Tsai	D8/107
D484,387	S *	12/2003	Hsiao	D8/107



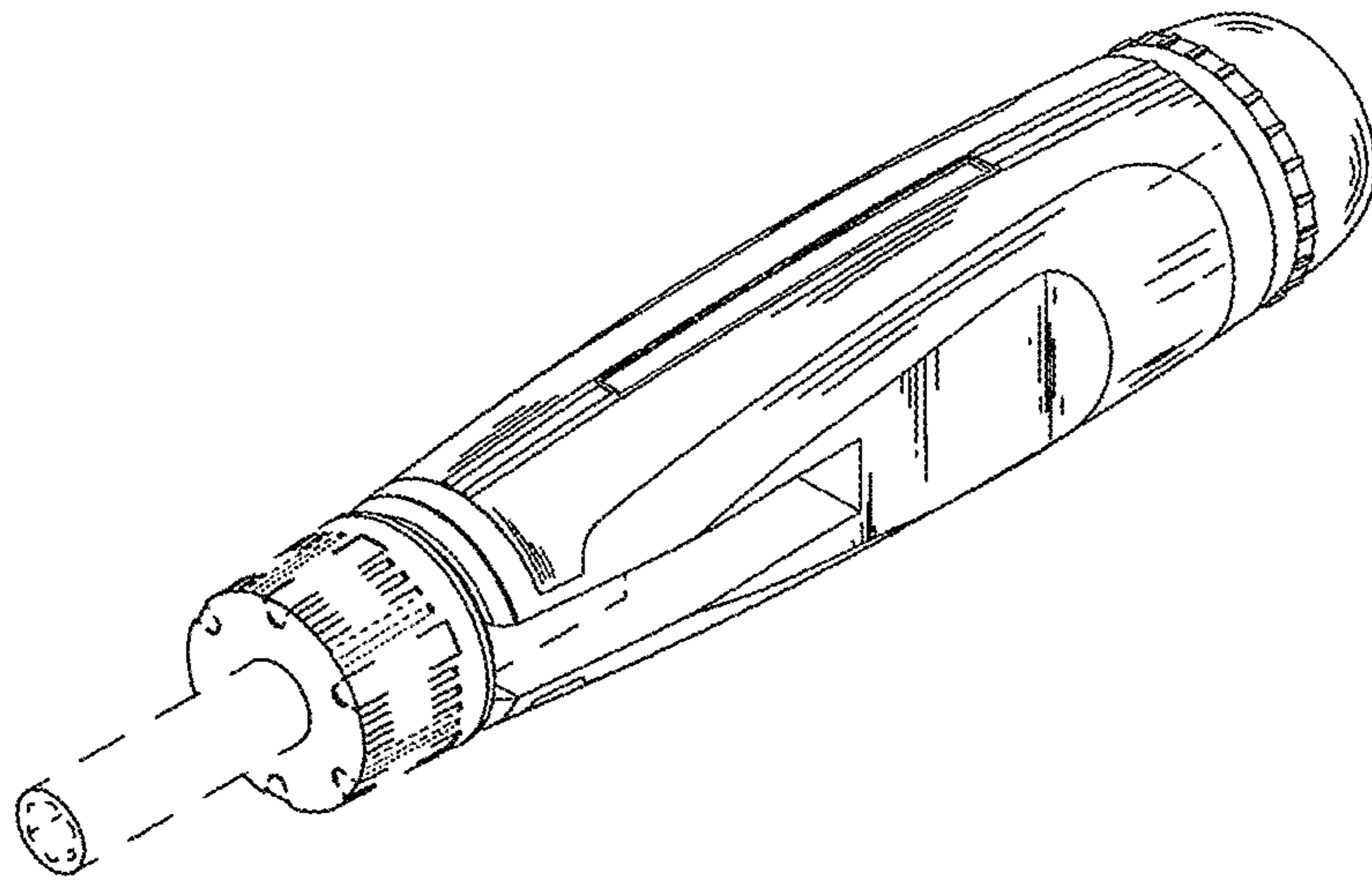


FIG. 1

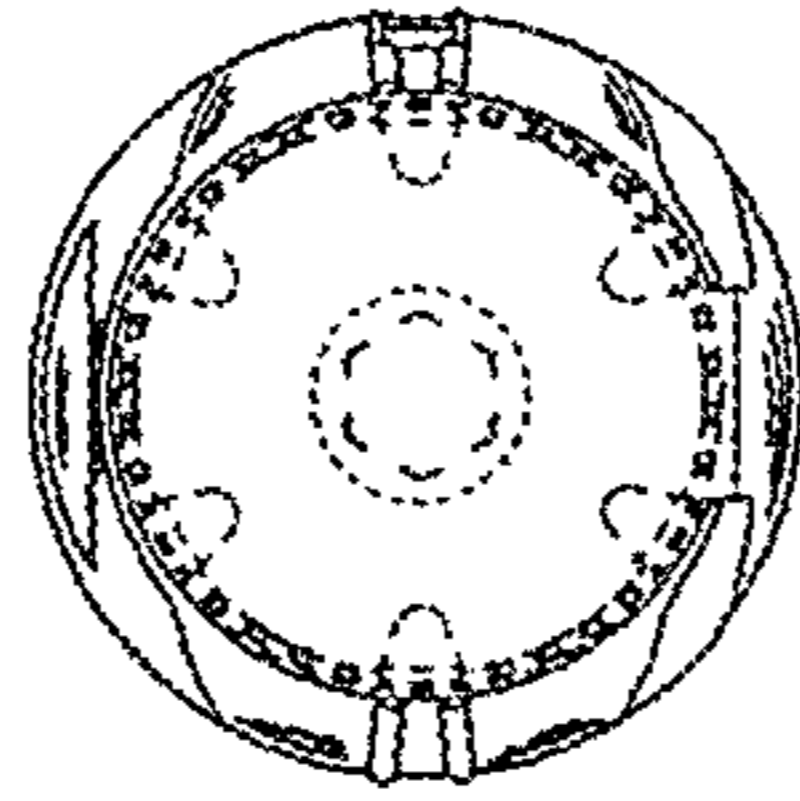


FIG. 2

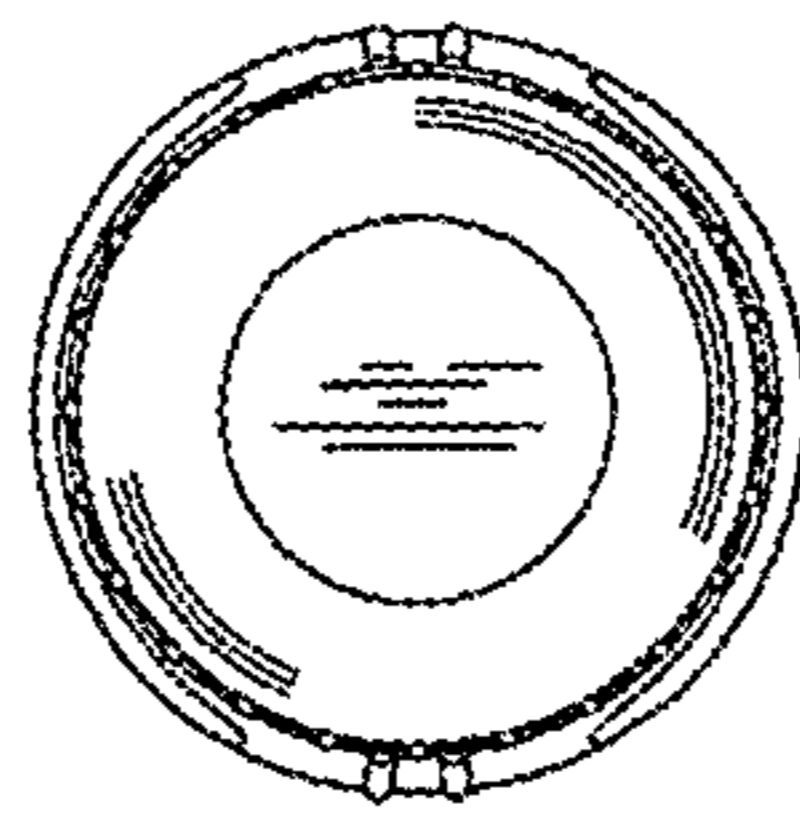


FIG. 3

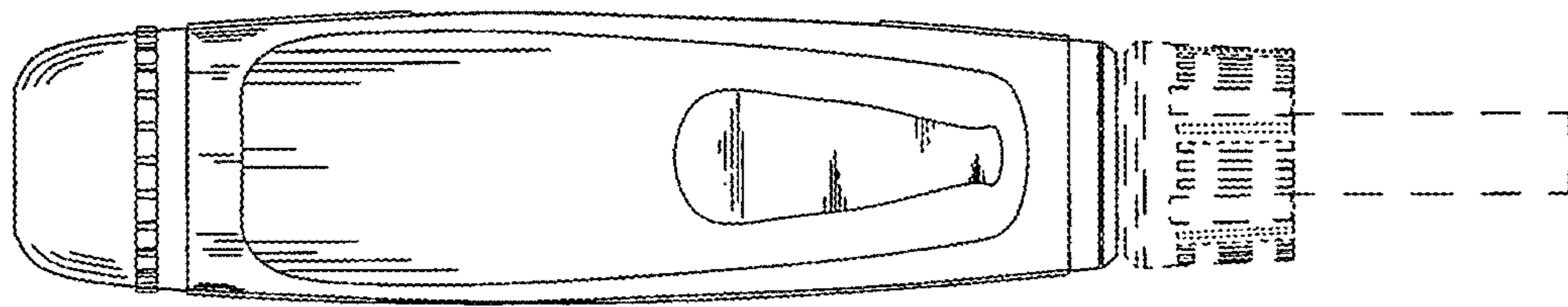


FIG. 4

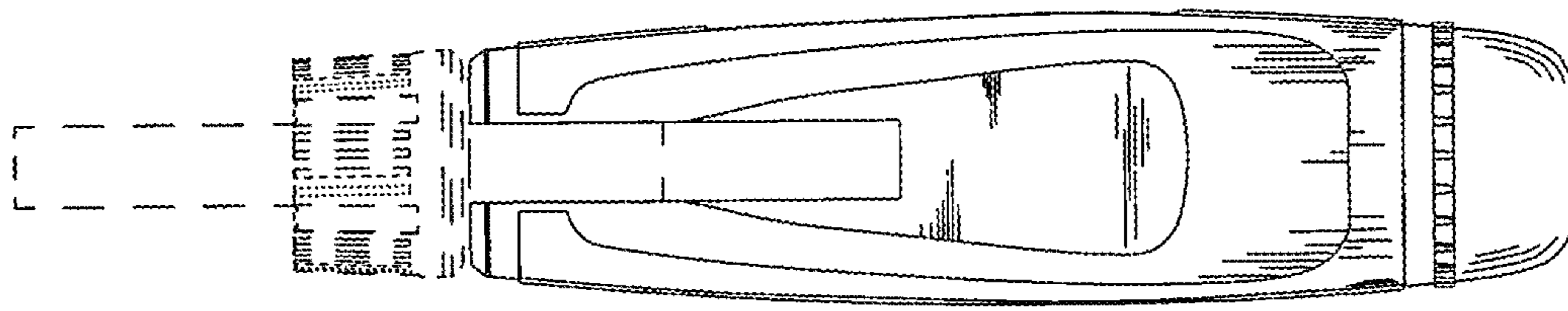


FIG. 5

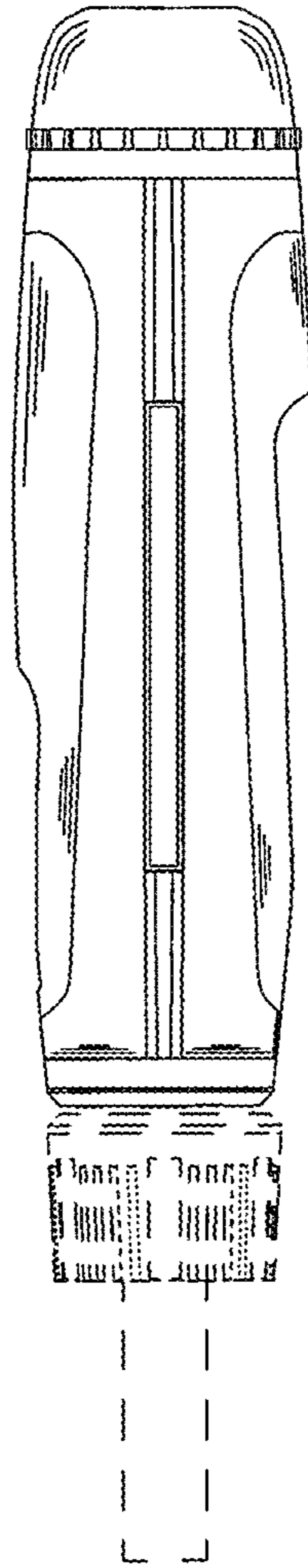


FIG. 6

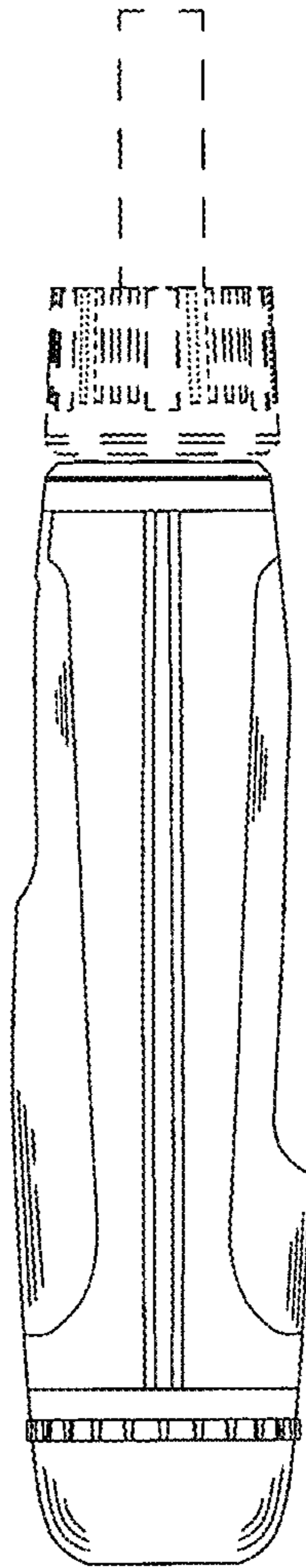


FIG. 7

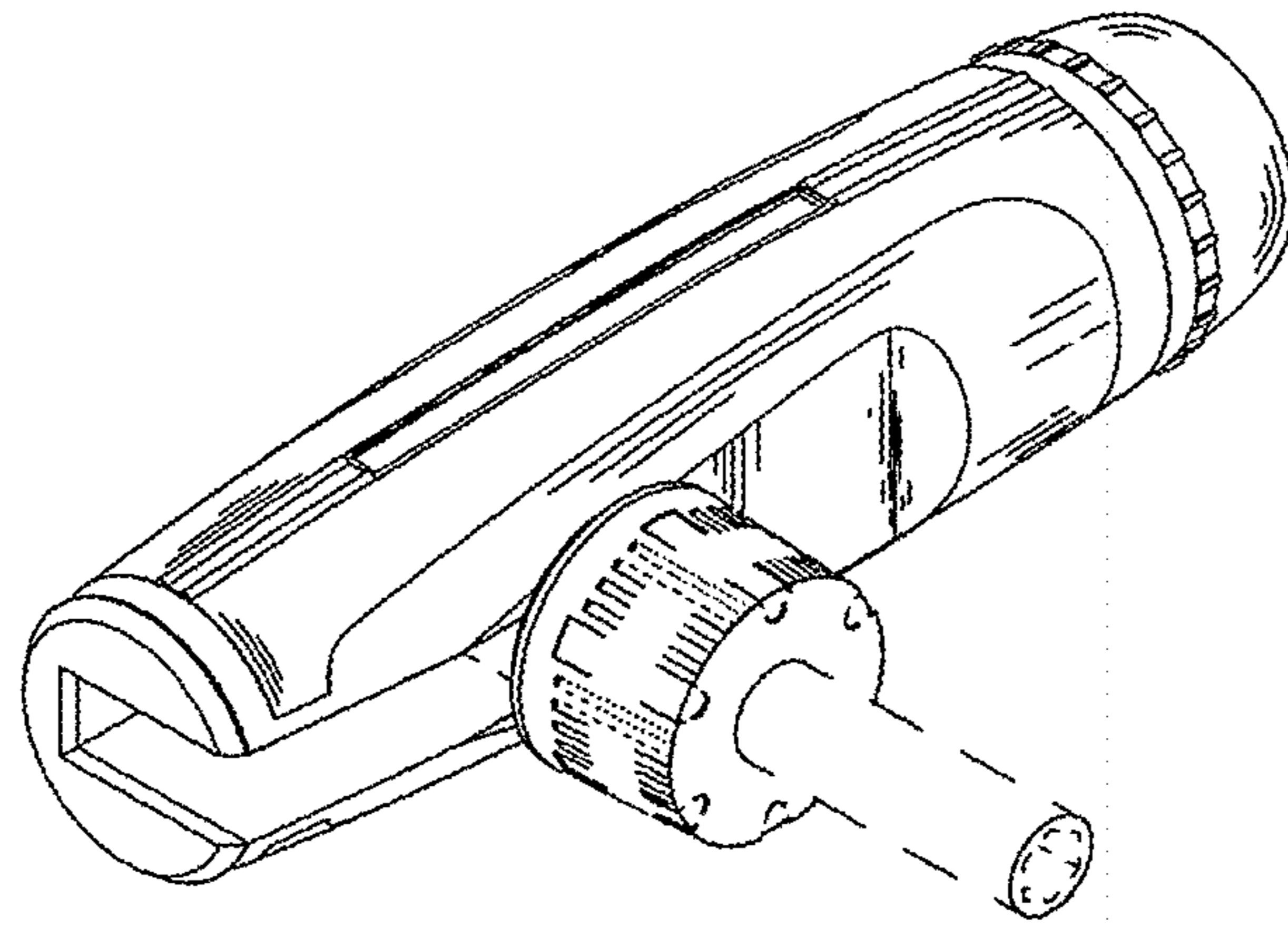


FIG. 8