



US00D777550S

(12) **United States Design Patent** (10) **Patent No.:** **US D777,550 S**  
**Lai** (45) **Date of Patent:** **\*\* Jan. 31, 2017**

- (54) **SCREWDRIVER**
- (71) Applicant: **Jin-Tsai Lai**, Taichung (TW)
- (72) Inventor: **Jin-Tsai Lai**, Taichung (TW)
- (73) Assignee: **Wei Chins Plastic Enterprise Corp.**,  
Taichung (TW)
- (\*\*) Term: **15 Years**
- (21) Appl. No.: **29/546,211**
- (22) Filed: **Nov. 19, 2015**
- (51) **LOC (10) Cl.** ..... **08-04**
- (52) **U.S. Cl.**  
USPC ..... **D8/82**
- (58) **Field of Classification Search**  
USPC D8/70, 82-87, 105; D15/139; 81/53.1-53.2,  
81/125, 177.1-177.7, 436, 438-439, 451,  
81/460-461  
CPC ..... B25B 15/005; B25B 15/008; B25B 15/02;  
B25G 1/085; F16B 23/0053; G02C 13/00  
See application file for complete search history.

D648,607 S *	11/2011	Tanger	.....	D8/51
D655,146 S *	3/2012	Lucio	.....	D8/107
D656,807 S *	4/2012	Lucio	.....	D8/107
D704,710 S *	5/2014	Chen	.....	D14/411
D706,105 S *	6/2014	Wu	.....	D8/85
D709,751 S *	7/2014	Wu	.....	D8/85
D760,046 S *	6/2016	Caglar	.....	D8/24
2005/0166724 A1 *	8/2005	Castaneda	.....	B25B 15/008 81/436
2009/0016801 A1 *	1/2009	Liu	.....	B25F 1/02 401/116
2016/0008970 A1 *	1/2016	Ho	.....	B25G 1/066 81/177.8
2016/0039084 A1 *	2/2016	Tsai	.....	B25G 1/085 81/438

\* cited by examiner

*Primary Examiner* — Philip S Hyder  
*Assistant Examiner* — Roselyne Cody  
(74) *Attorney, Agent, or Firm* — Che-Yang Chen; Law  
Offices of Scott Warmuth

(57) **CLAIM**

The ornamental design for a screwdriver, as shown and described.

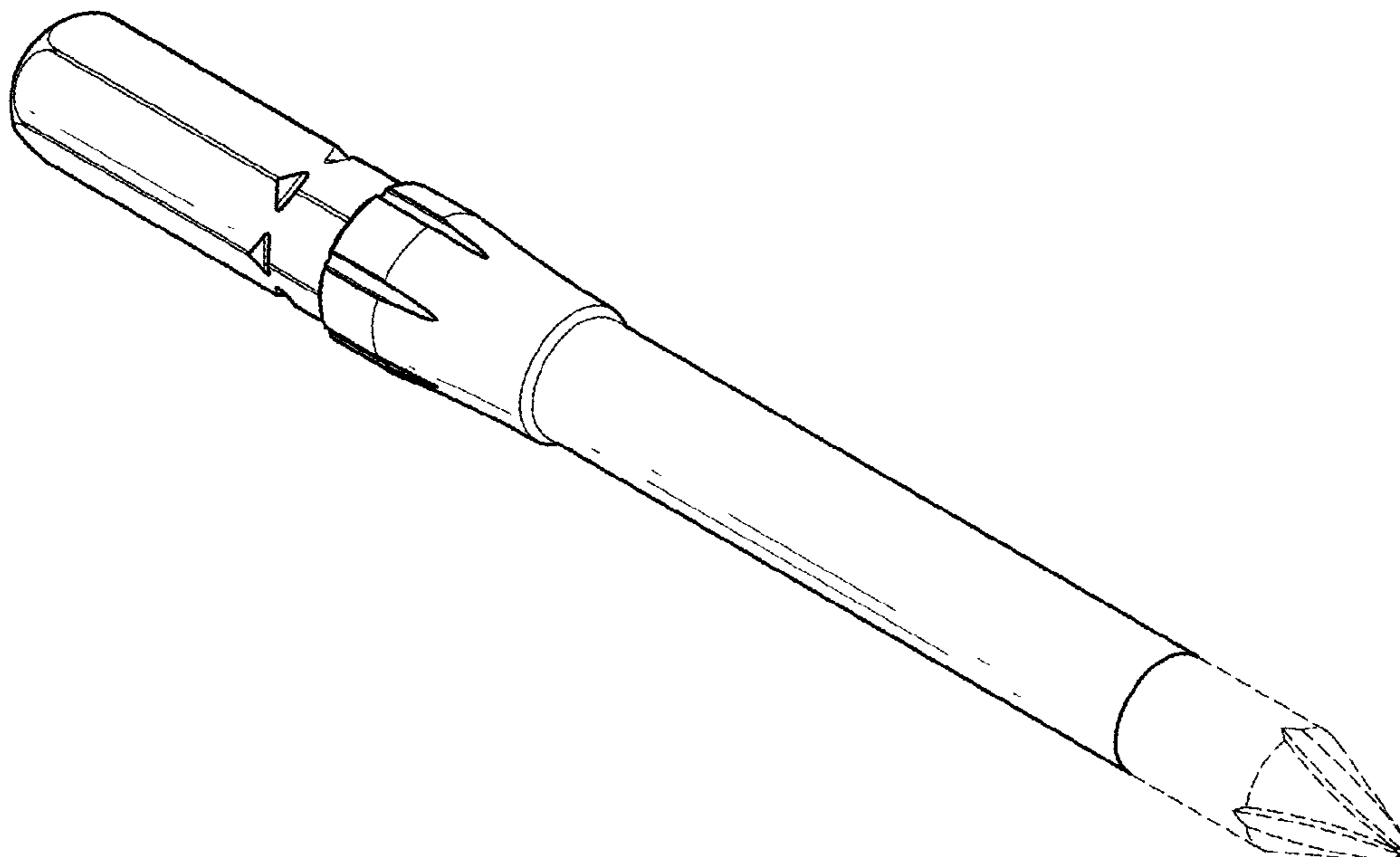
**DESCRIPTION**

FIG. 1 is a perspective view of a screwdriver showing my new design;  
FIG. 2 is a front elevational view thereof;  
FIG. 3 is a rear elevational view thereof;  
FIG. 4 is a left side elevational view thereof;  
FIG. 5 is a right side elevational view thereof;  
FIG. 6 is a top plan view thereof; and,  
FIG. 7 is a bottom plan view thereof.  
The broken lines in the drawings depict a portion of the screwdriver that forms no part of the claim.

**1 Claim, 4 Drawing Sheets**

(56) **References Cited**  
U.S. PATENT DOCUMENTS

D160,706 S *	10/1950	Hettrick	.....	D8/87
5,337,637 A *	8/1994	Bih-Lien	.....	B25G 1/085 81/177.4
D362,649 S *	9/1995	Rak	.....	D14/411
6,205,893 B1 *	3/2001	Sato	.....	B25B 15/02 81/439
D449,506 S *	10/2001	Haung	.....	D8/22
D453,790 S *	2/2002	Tsuchikura	.....	D19/119
7,052,128 B1 *	5/2006	Kung-Ping	.....	B25B 15/02 351/42
D573,862 S *	7/2008	Kao	.....	D8/83



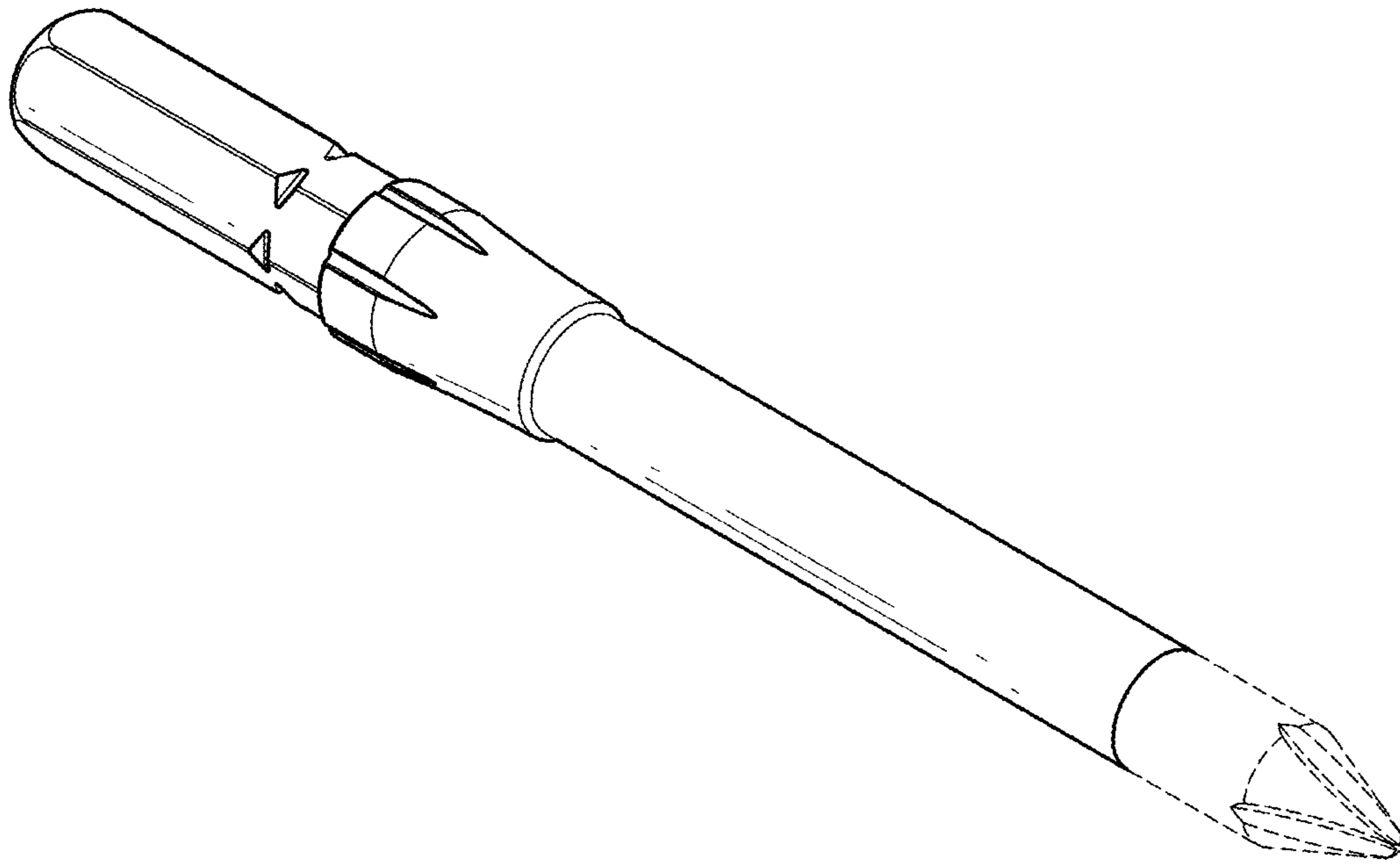


FIG. 1

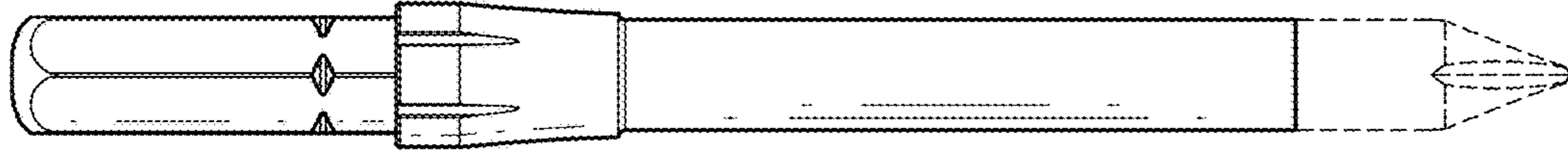


FIG. 2

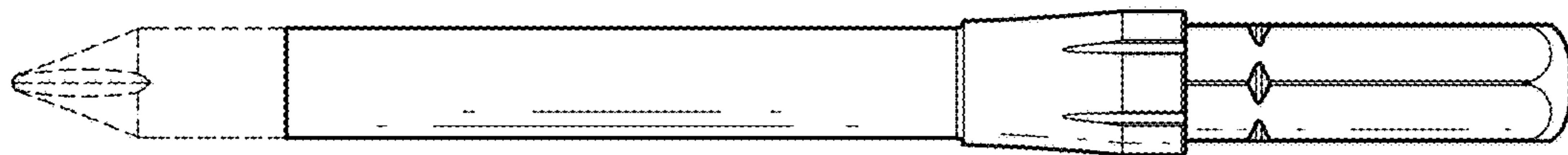


FIG. 3

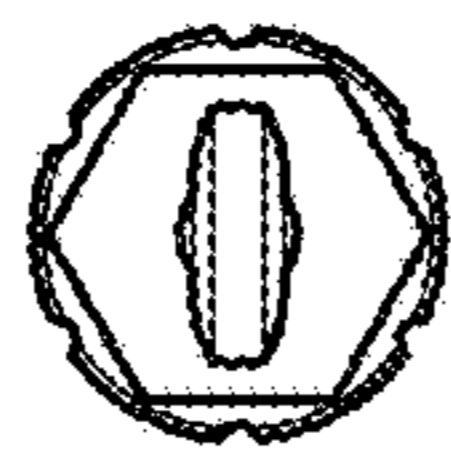


FIG. 4

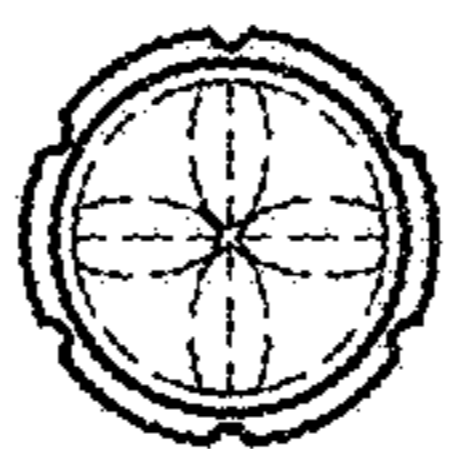


FIG. 5

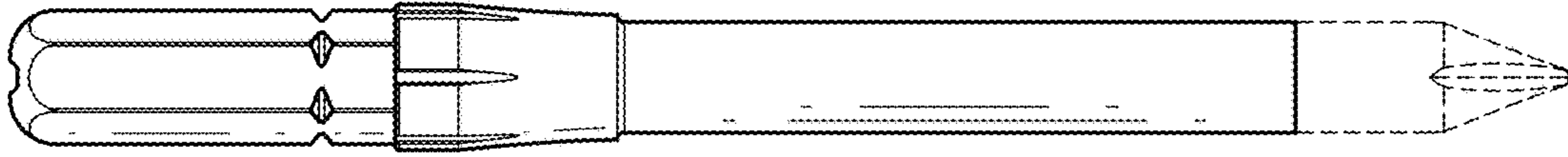


FIG. 6

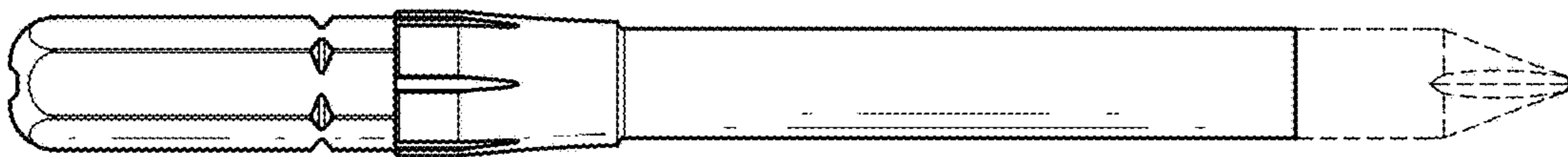


FIG. 7