



US00D777548S

(12) **United States Design Patent** (10) **Patent No.:** **US D777,548 S**
Trotsky (45) **Date of Patent:** **** Jan. 31, 2017**

(54) **CLAMP**

- (71) Applicant: **OCTA LLC**, Denver, CO (US)
- (72) Inventor: **Kevin Trotsky**, Denver, CO (US)
- (**) Term: **14 Years**
- (21) Appl. No.: **29/504,387**
- (22) Filed: **Oct. 6, 2014**
- (51) **LOC (10) Cl.** **08-05**
- (52) **U.S. Cl.**
USPC **D8/72**
- (58) **Field of Classification Search**
USPC D8/71-74, 394-399, 59; 248/63, 72,
248/74.1, 689, 124.2; 81/487, 385, 386,
81/388-390; 269/3, 4, 6, 143, 165, 240,
243, 269/246-249, 254 R, 147-149;
29/256, 257, 29/276; 408/103, 104-109;
24/522, 523
CPC B25B 1/00; B25B 5/00; B25B 1/02
See application file for complete search history.

(56) **References Cited**

U.S. PATENT DOCUMENTS

292,391 A	1/1884	Weiser
881,530 A	3/1908	Barker
934,676 A	9/1909	Langslow
1,189,144 A	6/1916	Lippincott
2,487,997 A	11/1949	West
2,688,351 A	9/1954	Sweet
4,078,781 A	3/1978	Fraser et al.
4,381,105 A	4/1983	Goff et al.
4,678,153 A	7/1987	Maddock et al.
4,846,431 A	7/1989	Pflieger
5,145,157 A	9/1992	Polk
5,276,949 A	1/1994	Cordellini
5,344,115 A	9/1994	Mayne et al.

(Continued)

FOREIGN PATENT DOCUMENTS

WO WO 2012/016158 2/2012

OTHER PUBLICATIONS

International Search Report for International (PCT) App. No. PCT/US14/29457, mailed Aug. 7, 2014, 9 pages.
(Continued)

Primary Examiner — David Muller
(74) *Attorney, Agent, or Firm* — Sheridan Ross P.C.

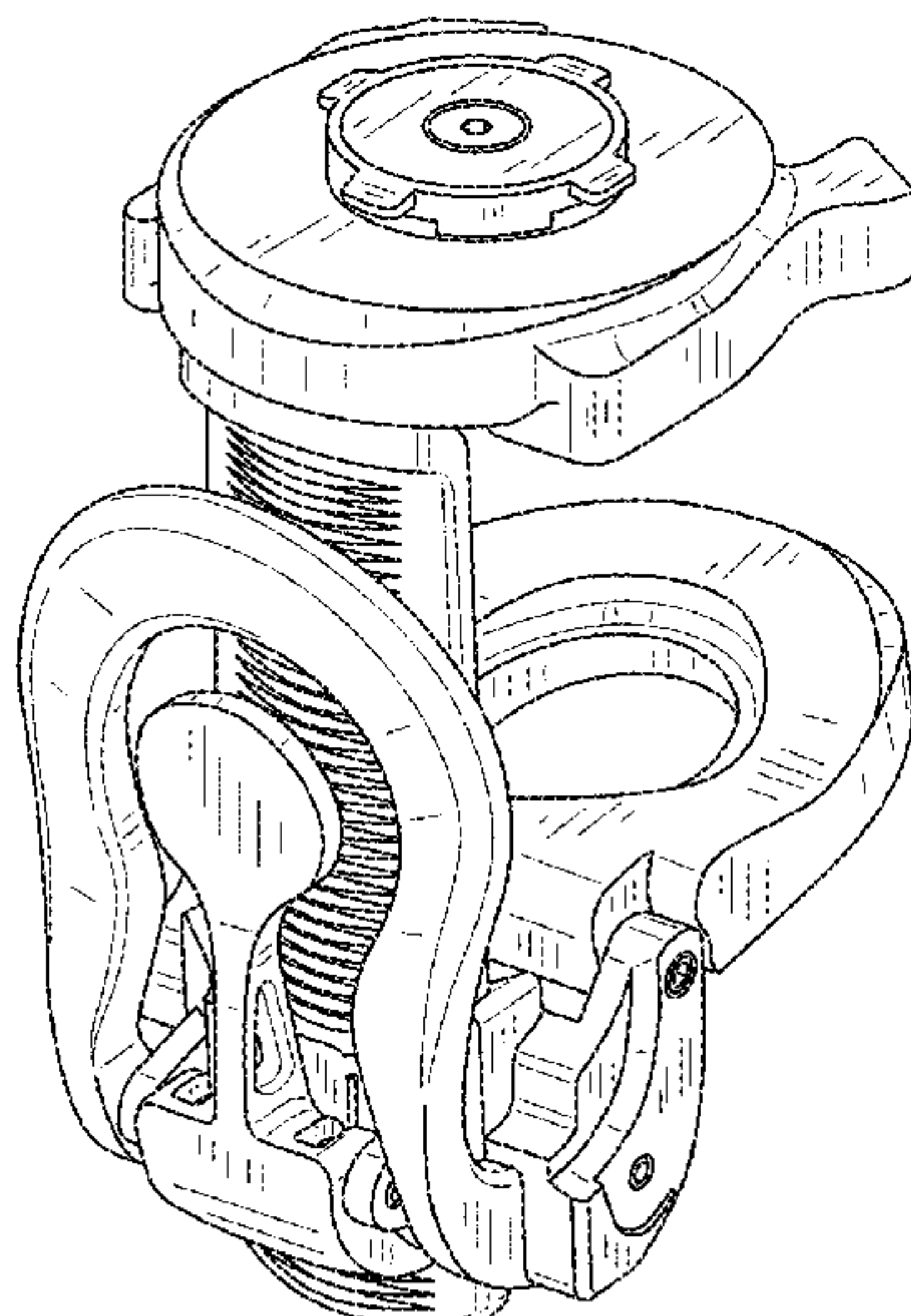
(57) **CLAIM**

The ornamental design for the clamp, as shown and described.

DESCRIPTION

FIG. 1 is a perspective view of the clamp showing the new design;
 FIG. 2 is a front elevation view thereof, the rear elevation view being a mirror image thereof;
 FIG. 3 is a right side elevation view thereof;
 FIG. 4 is a left side elevation view thereof;
 FIG. 5 is a top plan view thereof;
 FIG. 6 is a bottom plan view thereof;
 FIG. 7 is a front elevation view thereof showing an actuation handle in a second position of use, the rear elevation view being a mirror image thereof;
 FIG. 8 is a perspective view showing the clamp interconnected to a table;
 FIG. 9 is a perspective view showing the clamp interconnected to a table and an electronic device associated with the clamp;
 FIG. 10 is a front elevation view showing the clamp in a folded configuration;
 FIG. 11 is a right side elevation view thereof;
 FIG. 12 is a left side elevation view thereof;
 FIG. 13 is a top plan view thereof;
 FIG. 14 is a bottom plan view thereof; and,
 FIG. 15 is a perspective view thereof.
 The broken lines are for the purpose of illustrating environment and form no part of the claimed design.

1 Claim, 13 Drawing Sheets



(56)

References Cited

U.S. PATENT DOCUMENTS

5,426,825 A * 6/1995 Soren A45F 5/02
24/3.12
5,765,820 A 6/1998 Marusiak
D415,410 S * 10/1999 An D8/394
6,119,992 A 9/2000 Stuart
D470,400 S * 2/2003 Fraser D8/396
6,923,551 B2 * 8/2005 Galli H01H 36/00
224/420
6,929,253 B2 8/2005 Marks
6,966,533 B1 11/2005 Kalis et al.
7,499,269 B2 3/2009 Allen
7,669,816 B2 3/2010 Crain et al.
8,162,277 B2 4/2012 Russell
8,240,647 B2 8/2012 Geier et al.
D673,528 S 1/2013 Trotsky
D699,538 S * 2/2014 Saunders D8/72
8,770,539 B1 * 7/2014 Hsu B60R 11/0241
248/126
D712,226 S * 9/2014 Francaviglia D13/149
9,074,725 B2 7/2015 Trotsky
D736,073 S * 8/2015 Eriksson D8/394

D739,710 S * 9/2015 Bukovitz D4/199
D743,244 S * 11/2015 Anderson D8/394
D747,644 S * 1/2016 Snider D8/394
D751,377 S * 3/2016 Duffy D8/395
9,296,089 B2 * 3/2016 Schweigert B25B 1/103
2008/0029944 A1 2/2008 Avalani
2013/0187020 A1 7/2013 Trotsky
2013/0206942 A1 8/2013 Trotsky
2014/0259568 A1 9/2014 Trotsky

OTHER PUBLICATIONS

International Preliminary Report on Patentability for International
(PCT) Patent Application No. PCT/US2014/029457, mailed Sep.
24, 2015 8 pages.
Official Action for U.S. Appl. No. 14/214,148, mailed Aug. 14, 2015
5 pages Restriction Requirement.
Official Action for U.S. Appl. No. 14/214,148, mailed Nov. 24, 2015
12 pages.
Notice of Allowance for U.S. Appl. No. 14/214,148, mailed Jul. 6,
2016 10 pages.

* cited by examiner

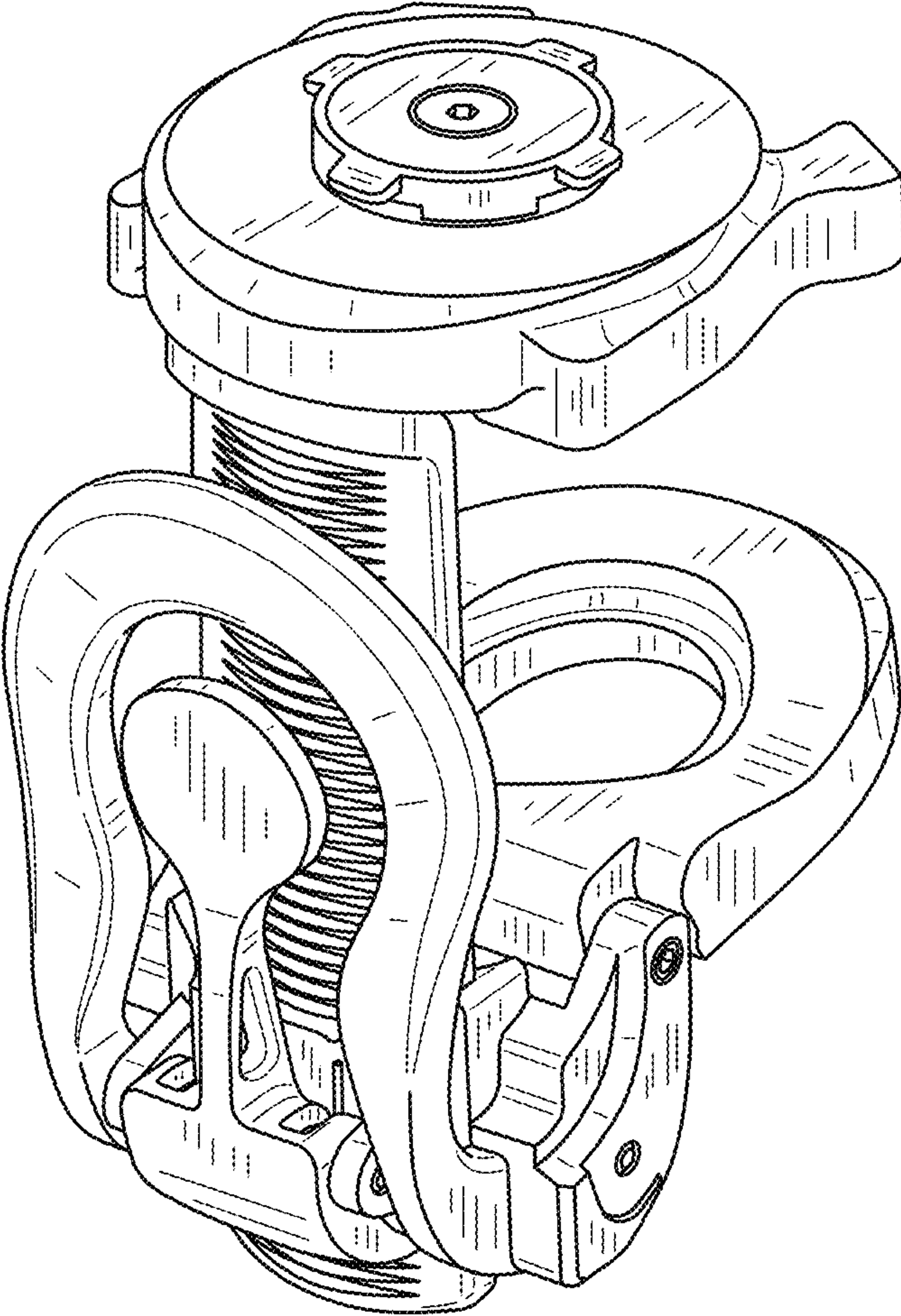


FIG.1

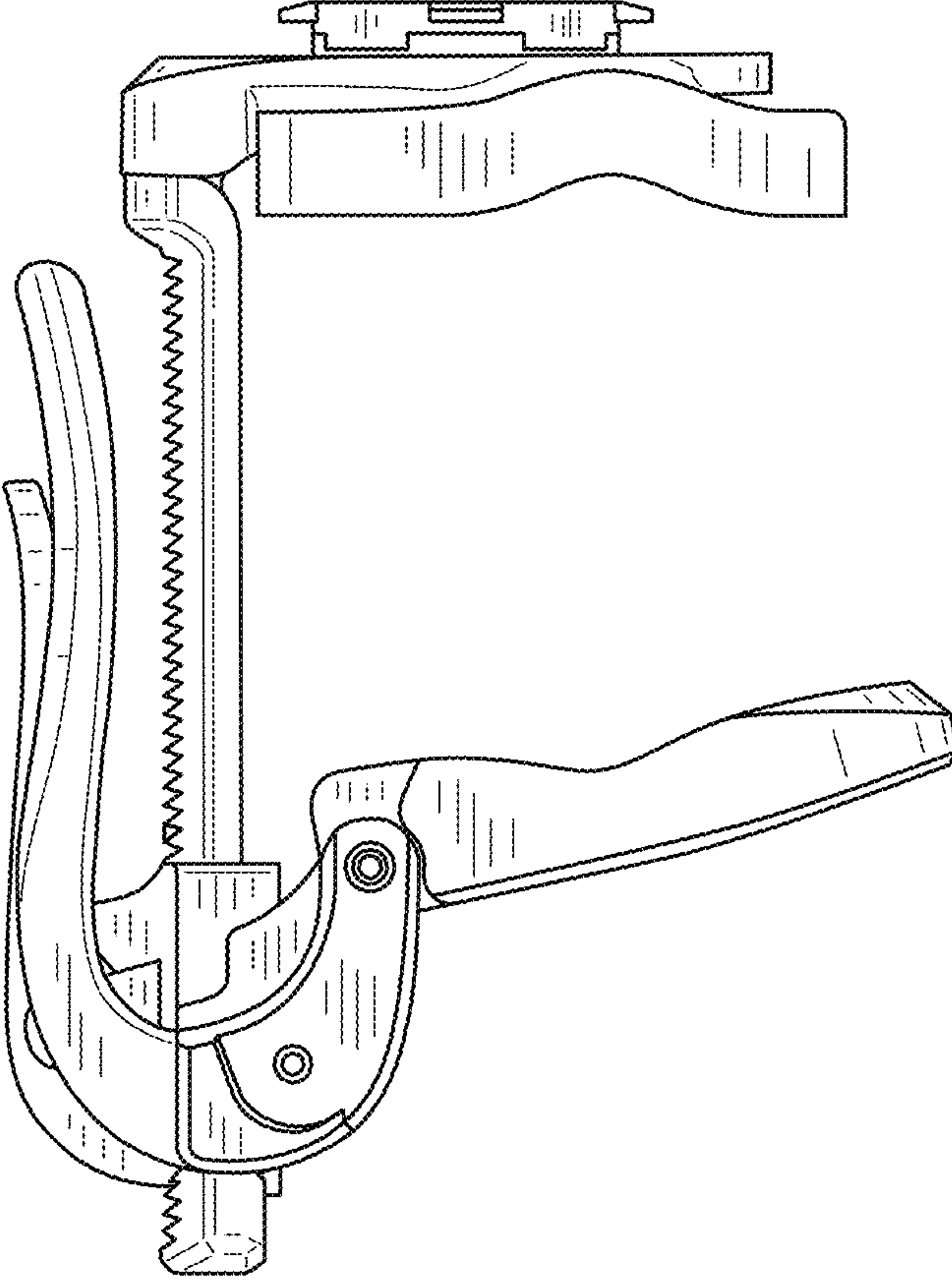


FIG.2

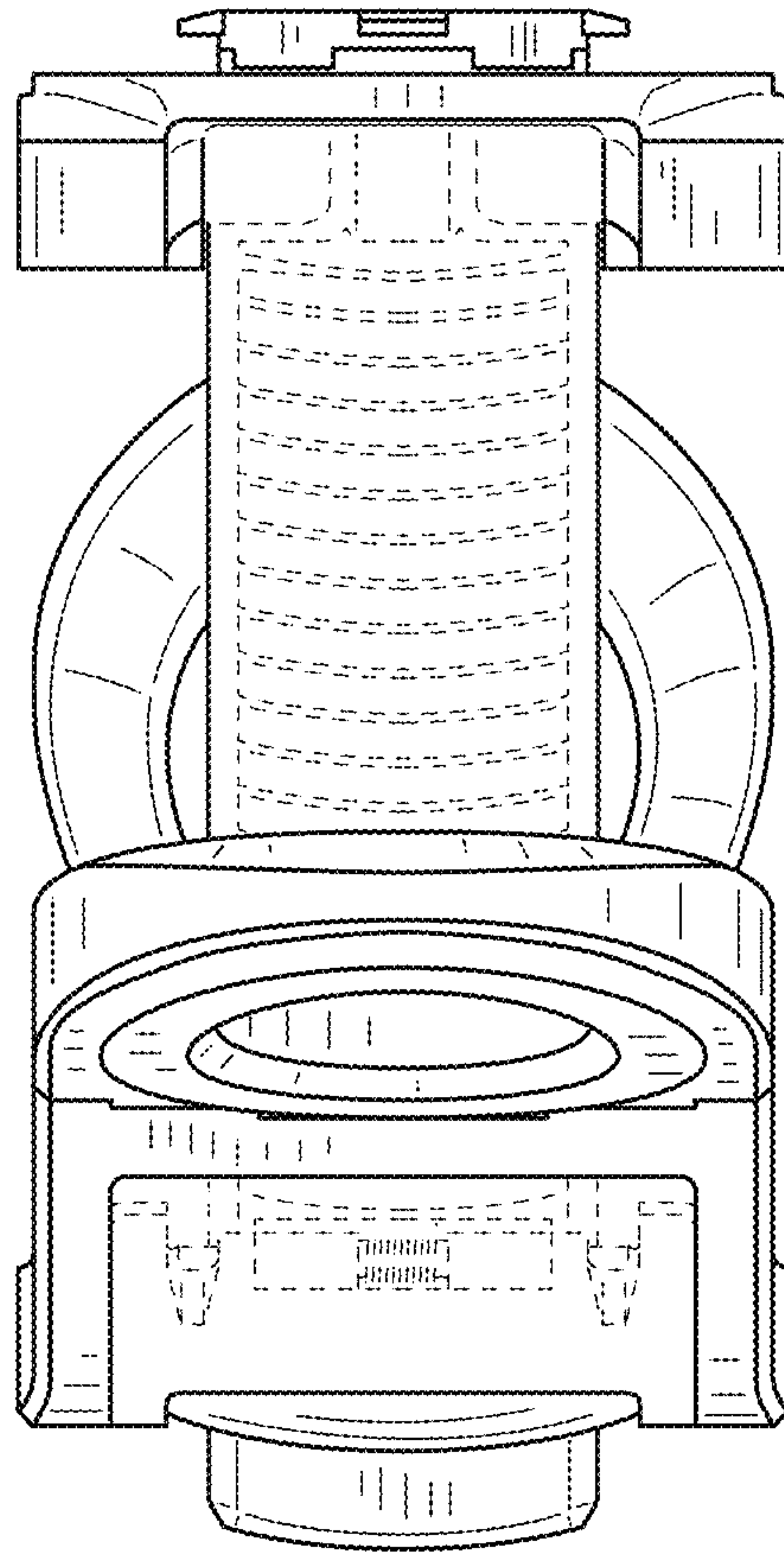


FIG.3

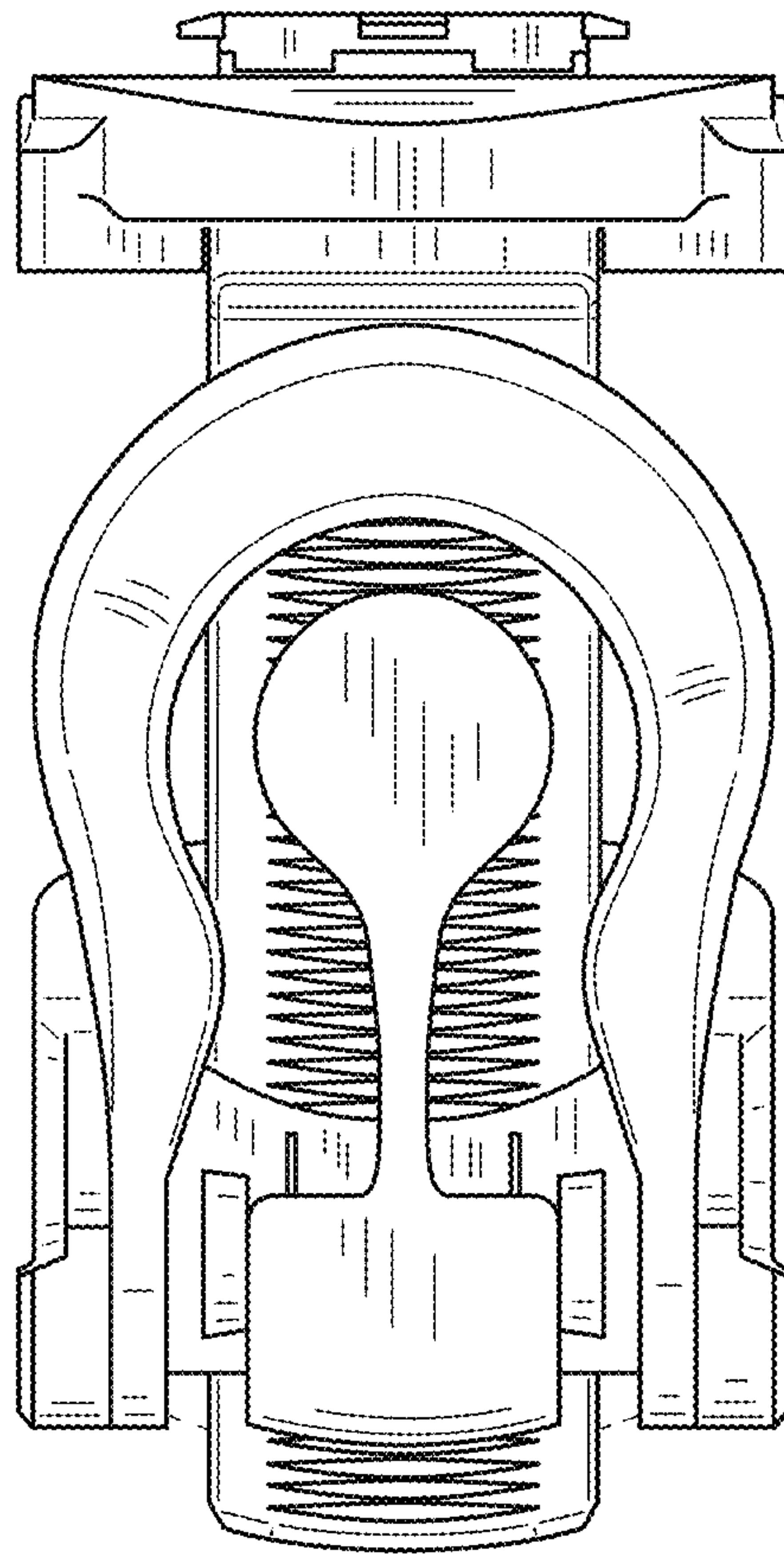


FIG.4

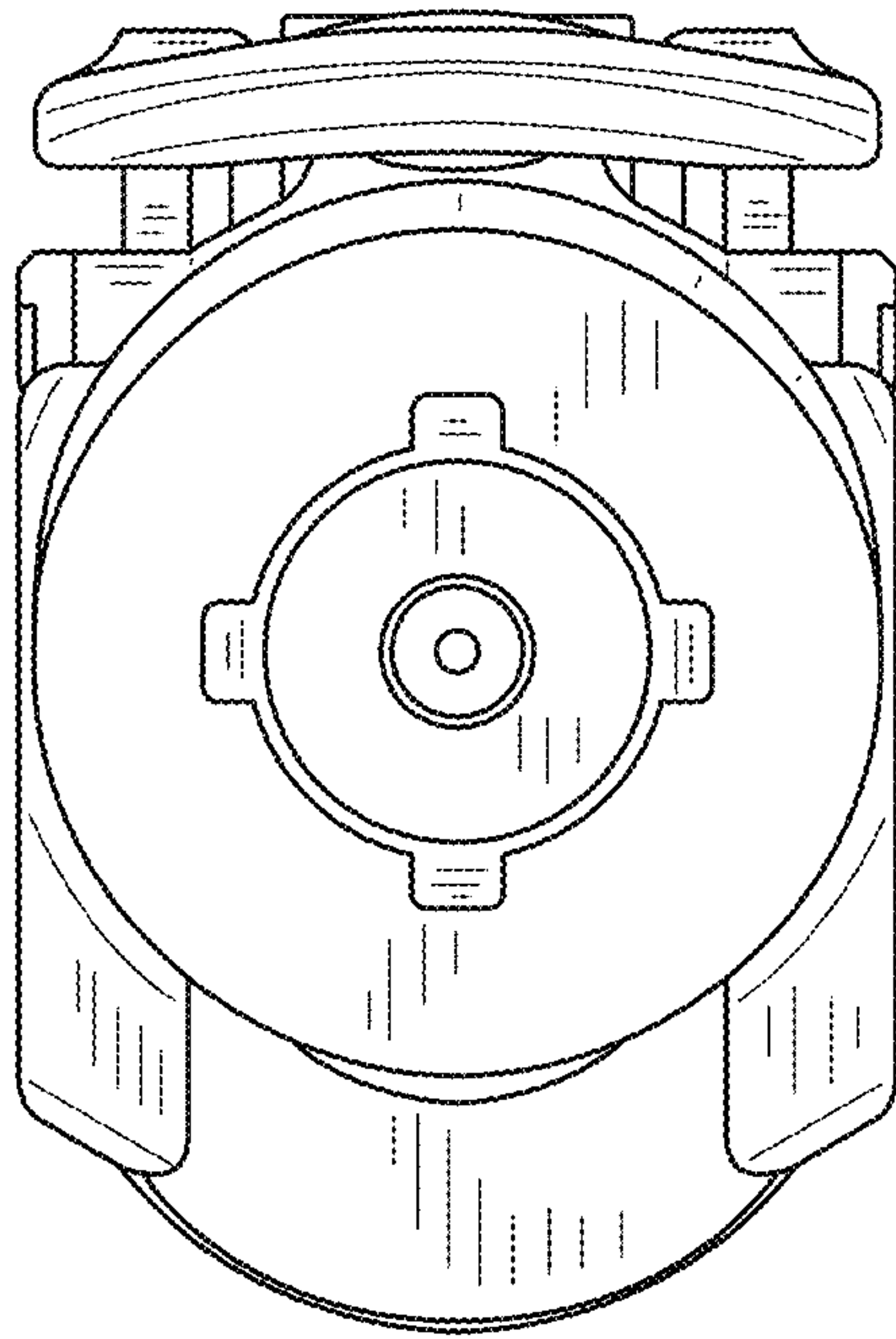


FIG. 5

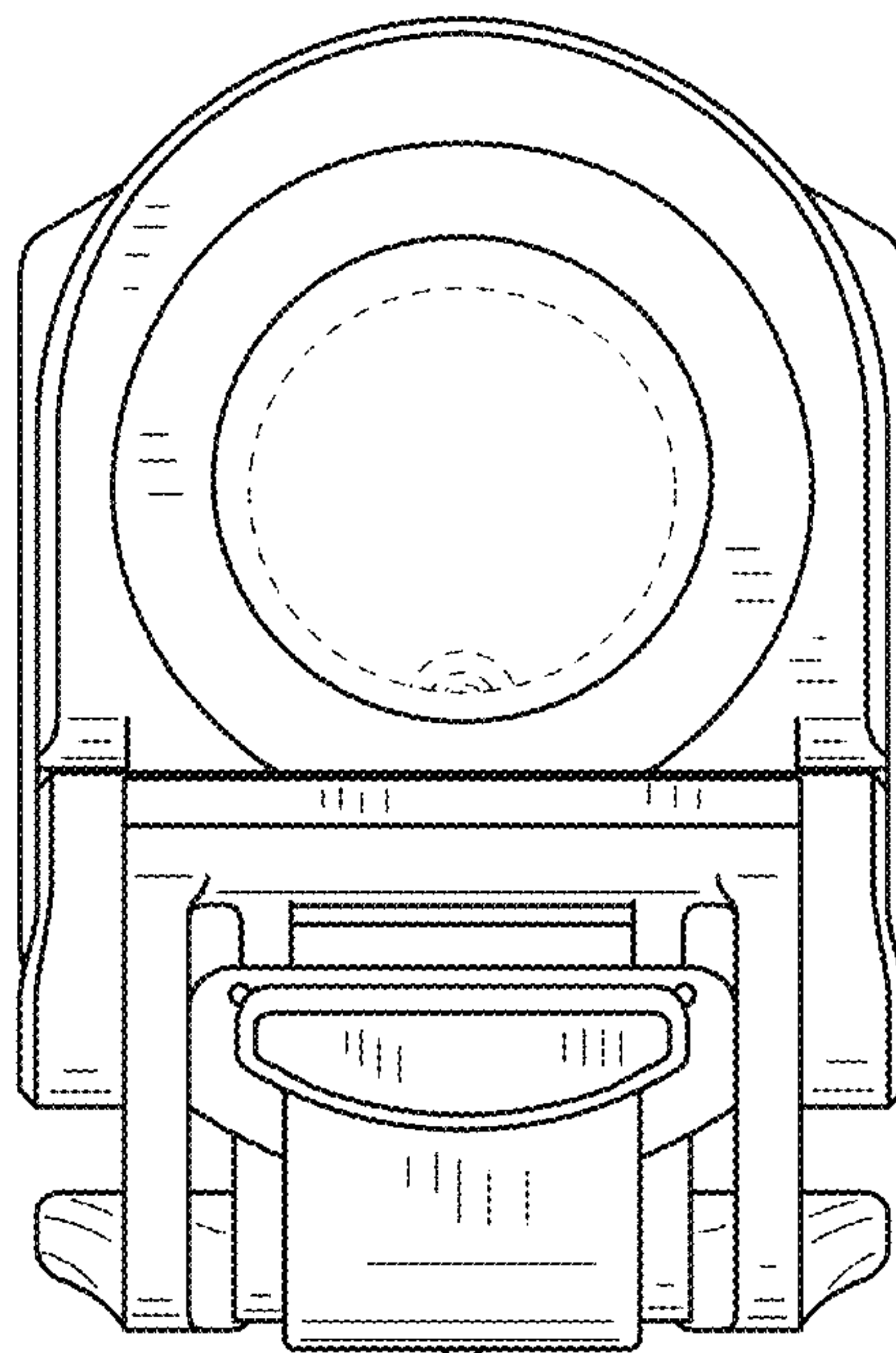


FIG. 6

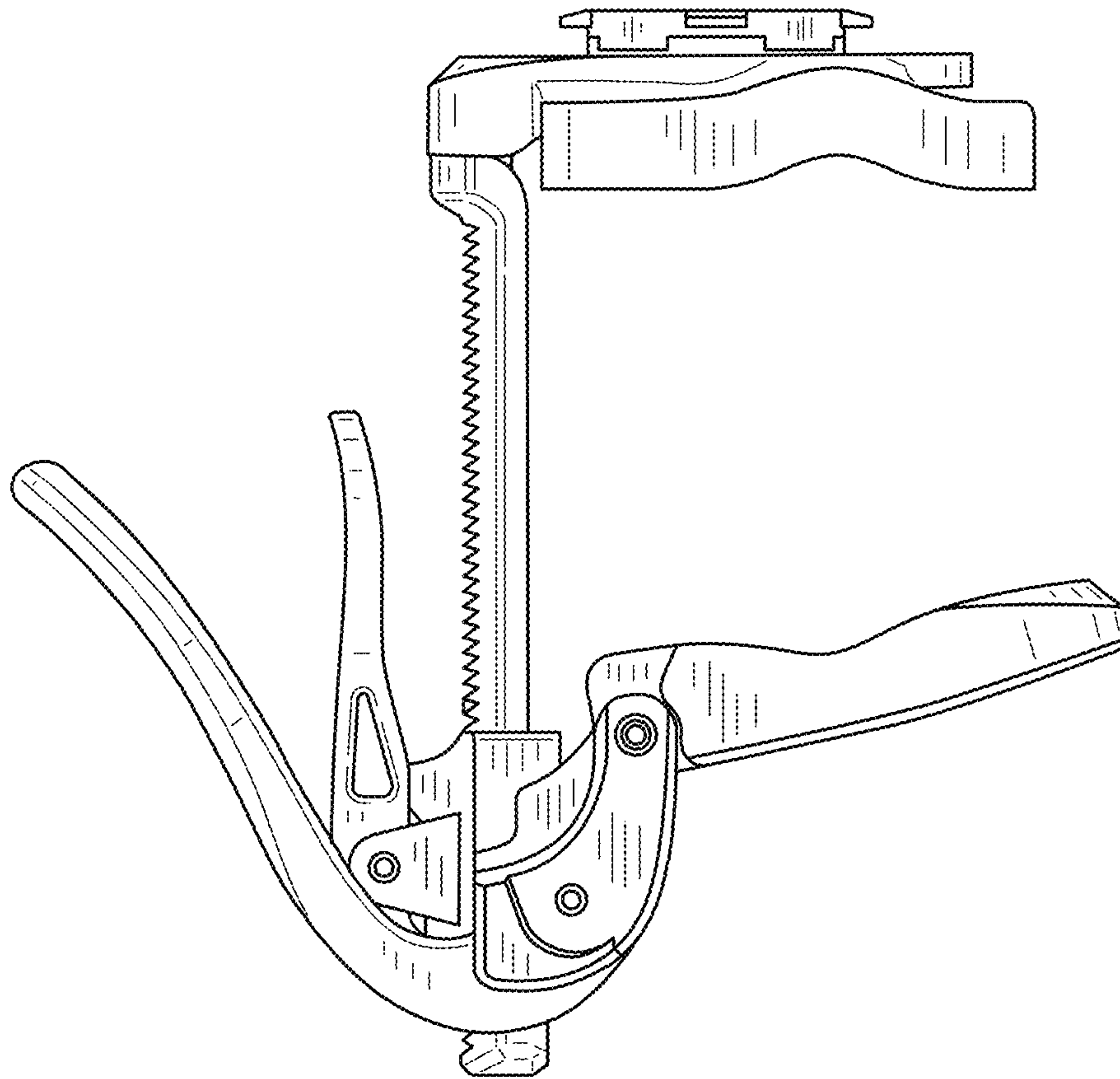


FIG.7

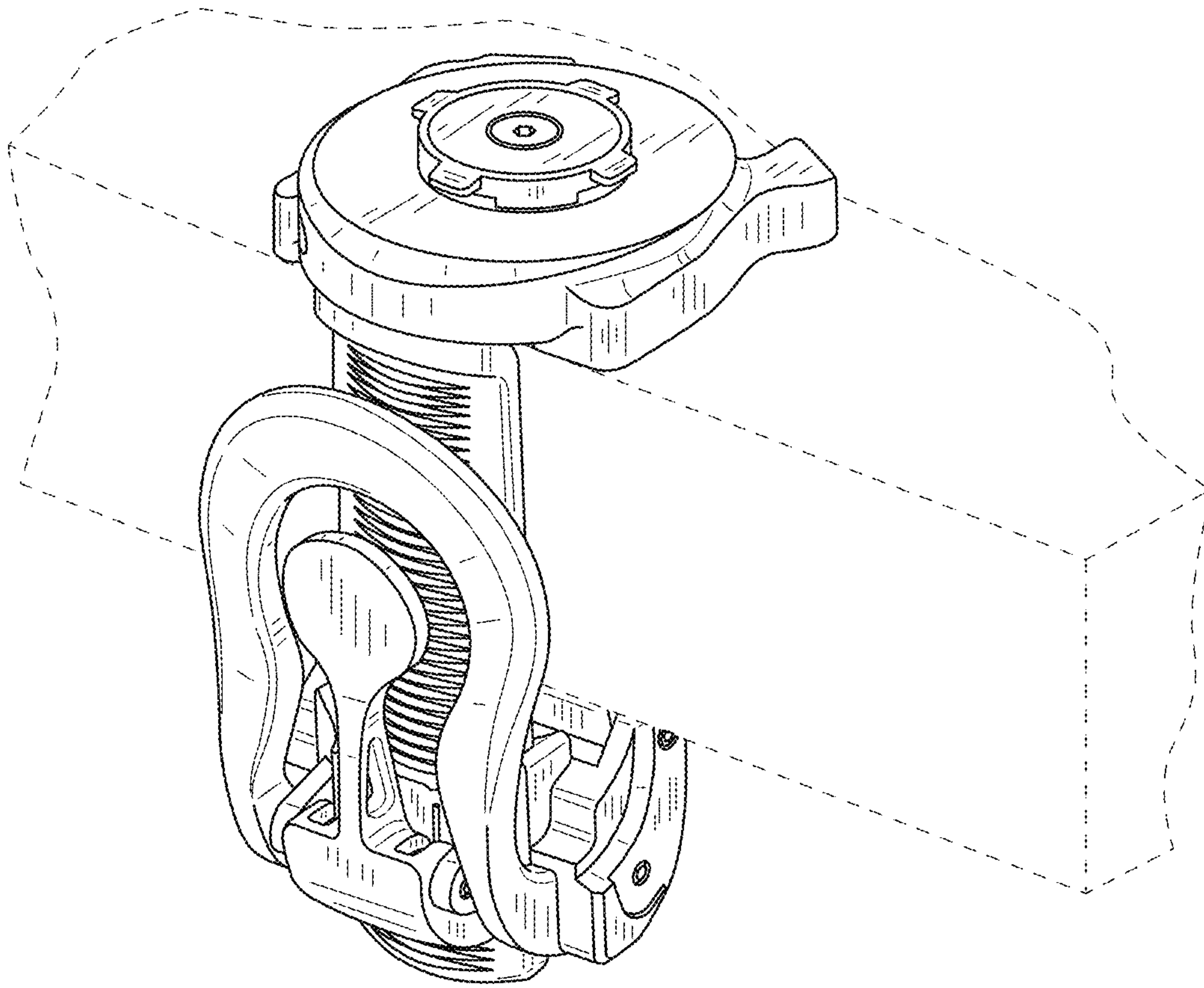


FIG.8

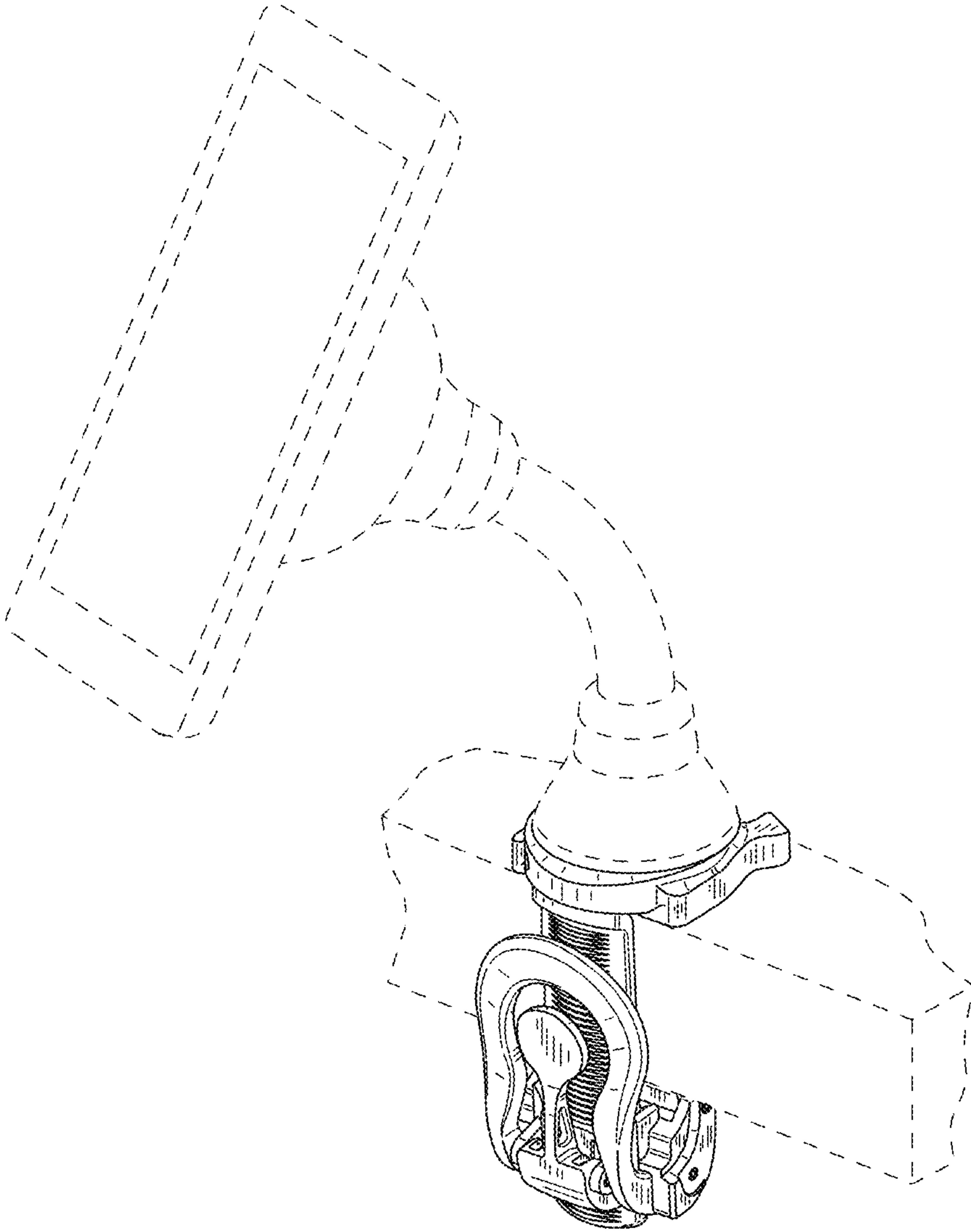


FIG.9

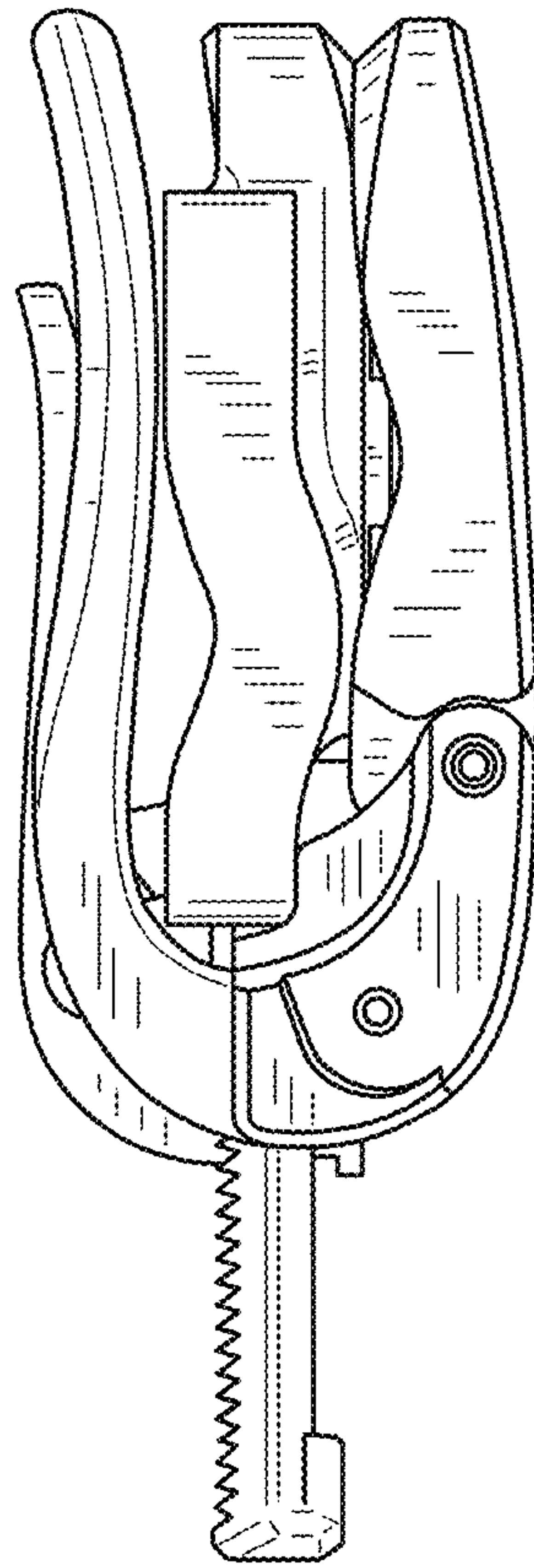


FIG.10

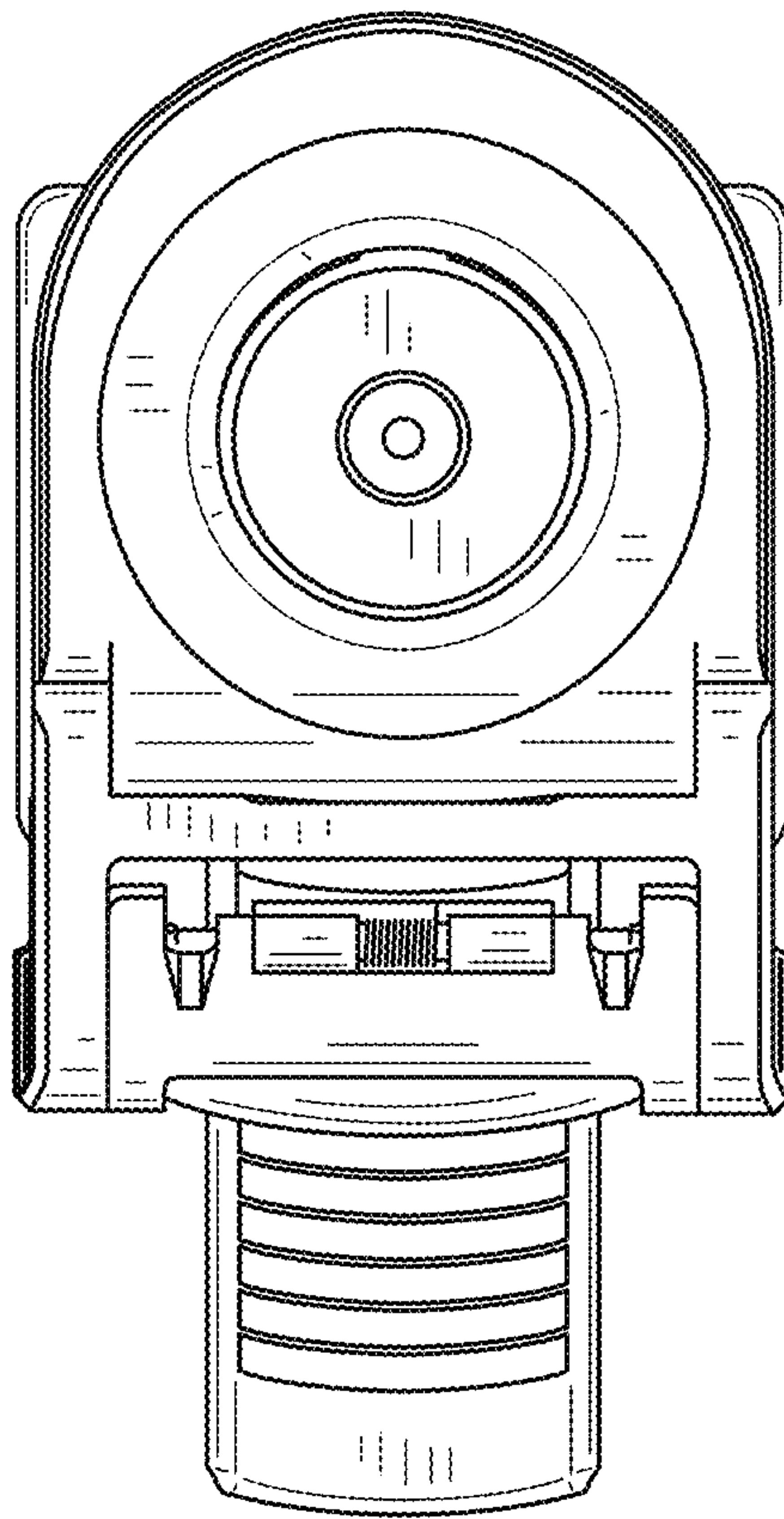


FIG.11

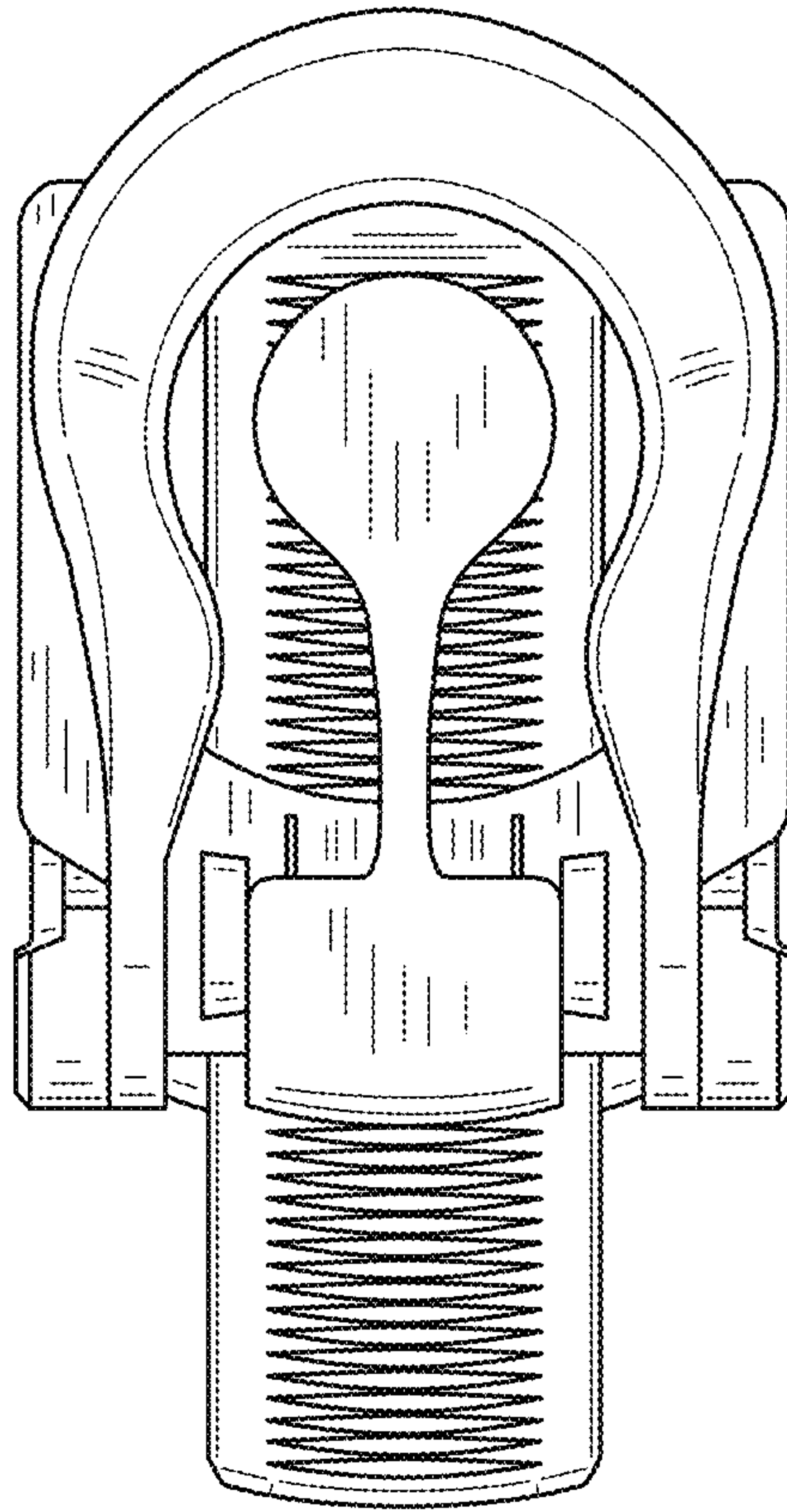


FIG.12

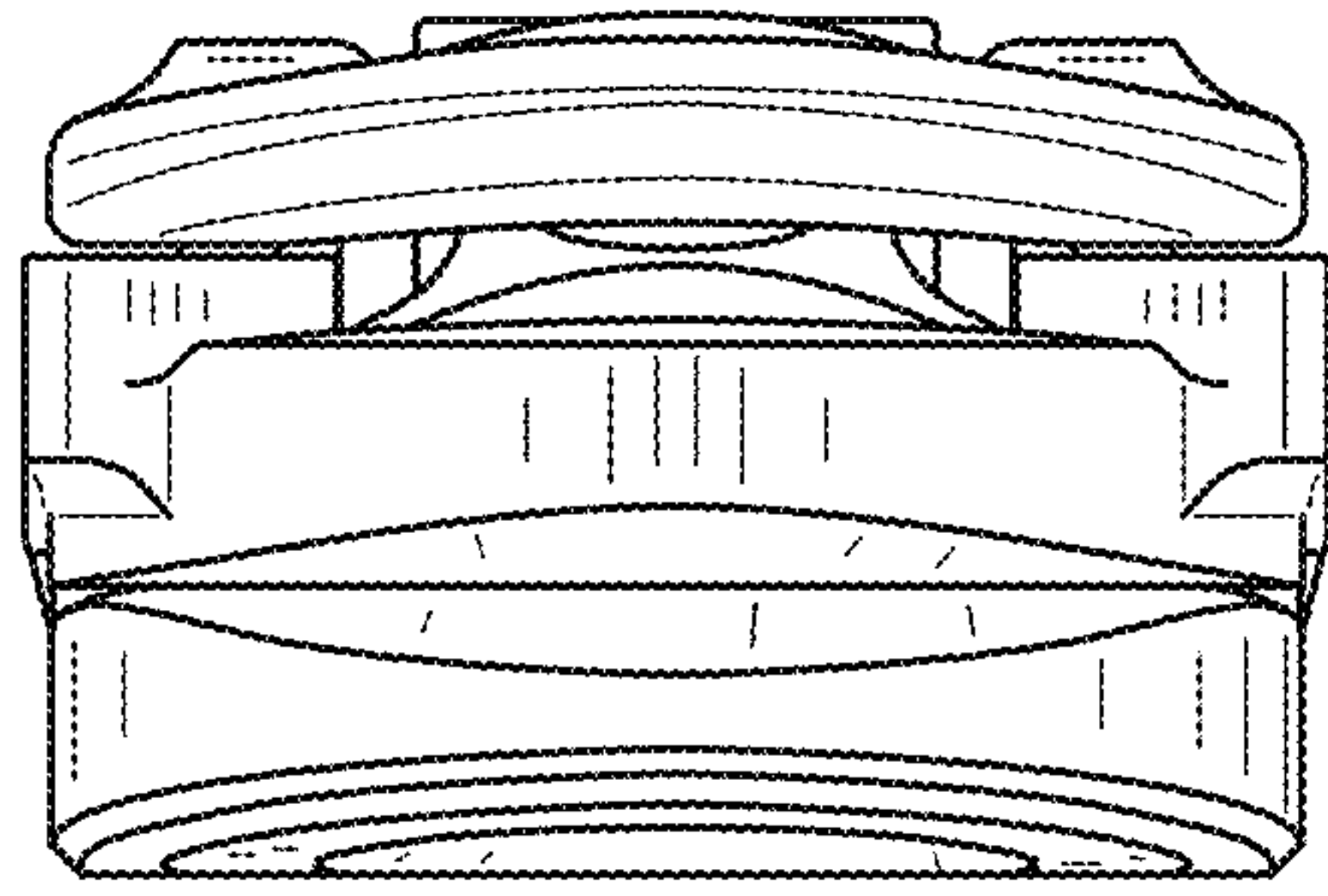


FIG. 13

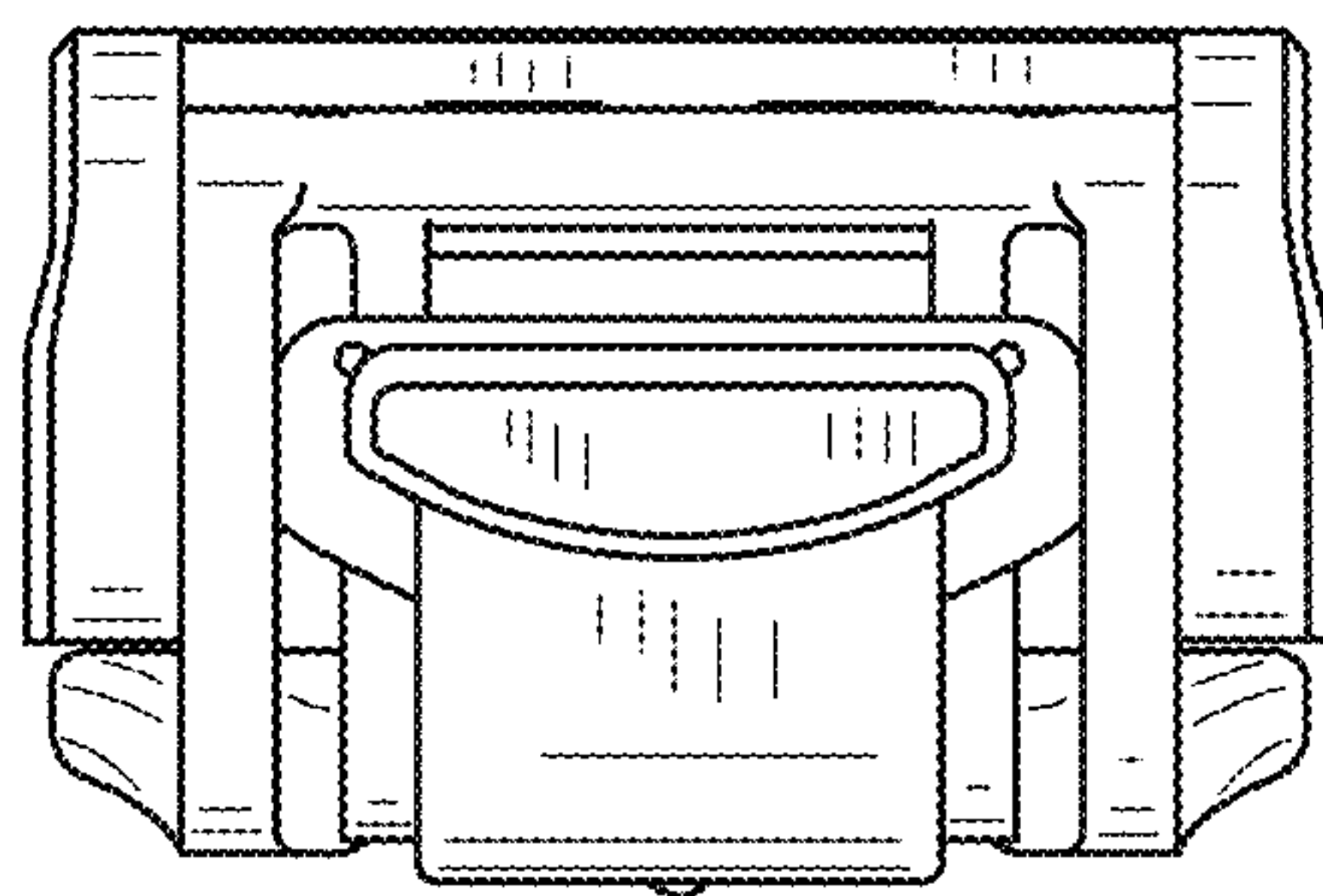


FIG. 14

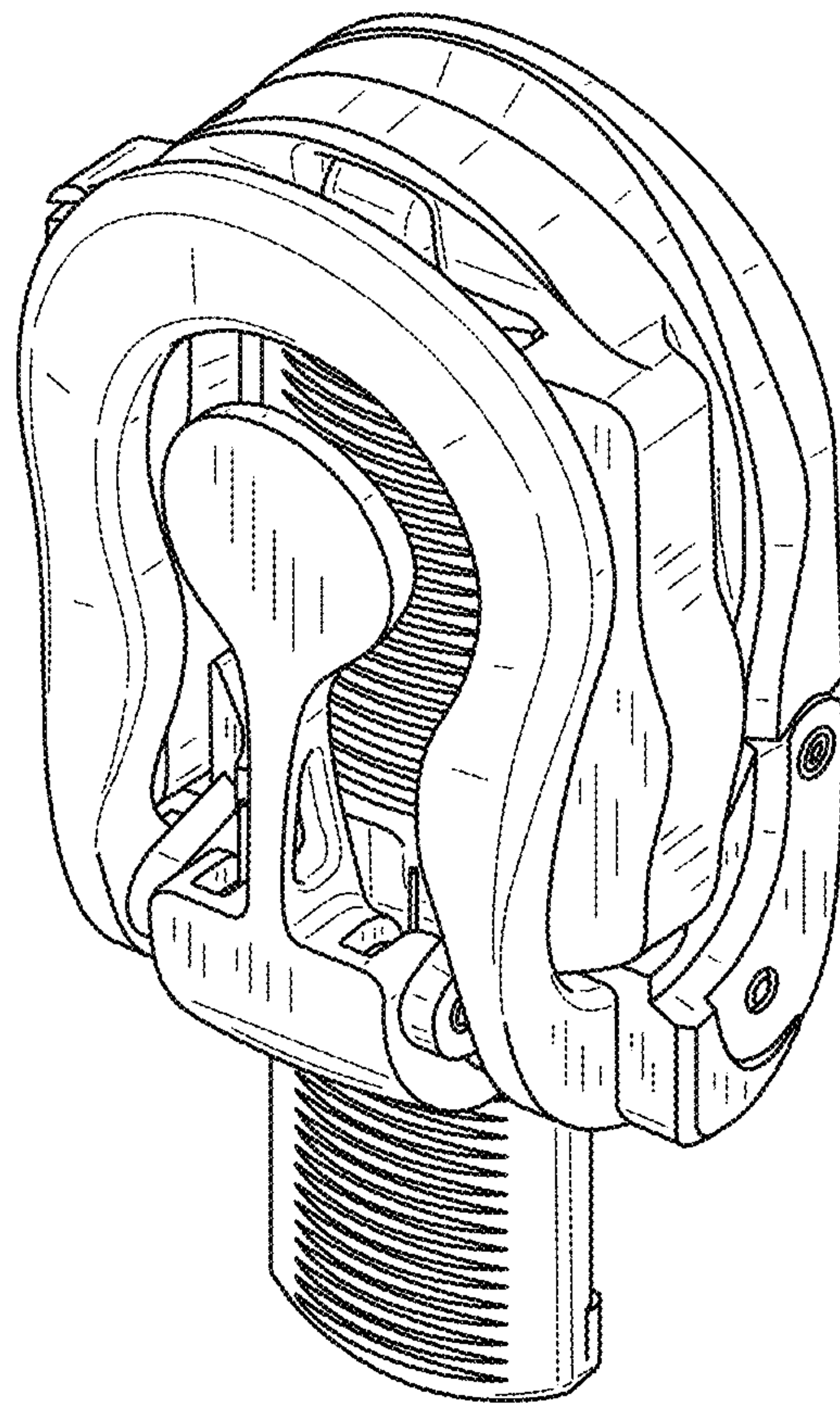


FIG.15