



US00D777547S

(12) **United States Design Patent**  
**Gassner**

(10) **Patent No.:** **US D777,547 S**  
(45) **Date of Patent:** **\*\* Jan. 31, 2017**

(54) **HANDLE CLAMP FOR AN EXOTHERMIC WELDING MOLD**

(71) Applicant: **Hubbell Incorporated**, Shelton, CT (US)

(72) Inventor: **Gabriel J. Gassner**, Tulsa, OK (US)

(73) Assignee: **Hubbell Incorporated**, Shelton, CT (US)

(\*\*) Term: **14 Years**

(21) Appl. No.: **29/444,316**

(22) Filed: **Mar. 22, 2013**

(51) **LOC (10) Cl.** ..... **08-05**

(52) **U.S. Cl.**  
USPC ..... **D8/72**

(58) **Field of Classification Search**  
USPC ..... D8/71-74, 394-399, 354, 355, 356, 59; 248/62, 63, 72, 74.1, 689, 124.2; 81/487, 81/385, 386, 388-390; 269/3, 4, 6, 143, 269/165, 240, 243, 246-249, 254 R, 269/147-149; 29/256, 257, 276; D15/140; D24/143; 408/103, 104-109; D7/683, D7/685, 686; D6/684  
CPC ..... B25B 1/00; B25B 5/00  
See application file for complete search history.

(56) **References Cited**

**U.S. PATENT DOCUMENTS**

D214,092 S *	5/1969	Bogaerts	.....	D15/140
3,896,842 A	7/1975	Cole		
3,922,008 A	11/1975	Stiner et al.		
3,934,849 A	1/1976	Morain et al.		
3,941,145 A	3/1976	Morain et al.		
3,944,262 A	3/1976	Stiner et al.		
4,094,536 A	6/1978	Cole et al.		
4,099,670 A	7/1978	Cole et al.		
D249,889 S *	10/1978	DeAmicis	.....	D23/259
D277,165 S *	1/1985	DeVroom	.....	D8/72
4,889,180 A	12/1989	Sloan		
4,889,324 A	12/1989	Brosnan et al.		

4,905,725 A	3/1990	Sinkinson et al.		
4,976,366 A	12/1990	Russell		
D342,747 S *	12/1993	Garcia	.....	D15/140
D349,232 S *	8/1994	Lebow	.....	D8/354
D351,775 S *	10/1994	Wedler	.....	D8/71
5,366,260 A	11/1994	Wartluft		
5,431,068 A *	7/1995	Alsch	.....	76/82
5,524,940 A	6/1996	Wartluft		
D378,094 S *	2/1997	Eberhard	.....	D15/140
5,692,785 A	12/1997	Wartluft et al.		
5,791,698 A	8/1998	Wartluft et al.		
5,853,272 A	12/1998	Wartluft et al.		
5,975,587 A	11/1999	Wood et al.		

(Continued)

**OTHER PUBLICATIONS**

Continental Industries, cathodic protection catalog, Apr. 1, 2015, <http://www.conind.com/docs/librariesprovider6/Literature-docs/cathodic-protection-catalog.pdf>.\*

*Primary Examiner* — David Muller  
*Assistant Examiner* — Nathan Johnston  
(74) *Attorney, Agent, or Firm* — Gerard M. Wissing

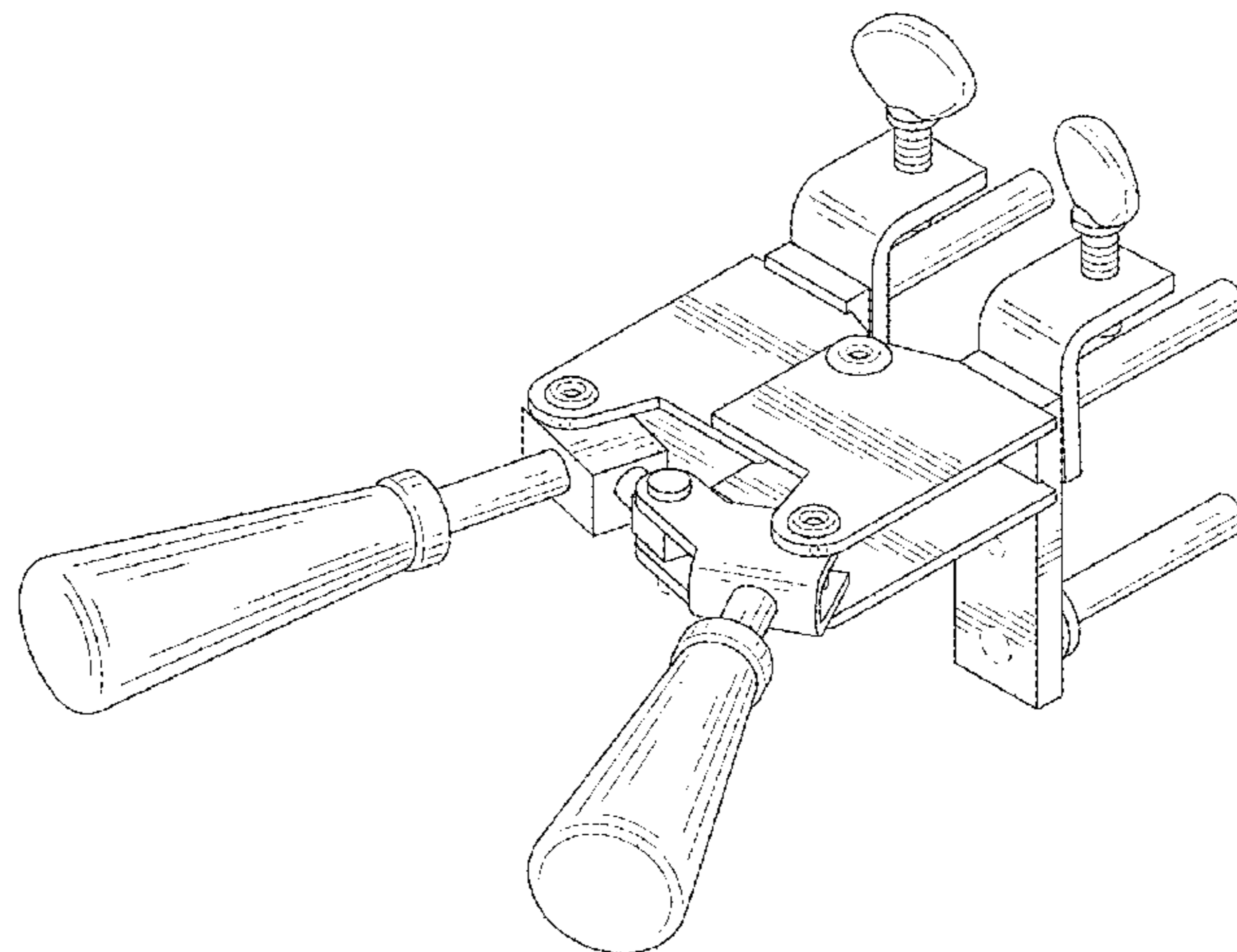
(57) **CLAIM**

The ornamental design for a handle clamp for an exothermic welding mold, as shown and described.

**DESCRIPTION**

FIG. 1 is a perspective view of a handle clamp for an exothermic welding mold constructed in accordance with the present invention;  
FIG. 2 is a top plan view thereof;  
FIG. 3 is a left side elevation view thereof;  
FIG. 4 is a bottom plan view thereof;  
FIG. 5 is a right side elevation view thereof;  
FIG. 6 is a front elevation view thereof; and,  
FIG. 7 is a rear elevation view thereof.  
The broken lines within the claimed design and the spaces therein are for environmental purposes only and form no part of the claimed design.

**1 Claim, 4 Drawing Sheets**



(56)

**References Cited**

## U.S. PATENT DOCUMENTS

6,050,613	A	4/2000	Wartluft	
D442,454	S *	5/2001	Kolpin .....	D8/72
6,285,008	B1	9/2001	Fleetwood et al.	
6,286,542	B1	9/2001	Morain et al.	
6,486,402	B2	11/2002	Harger et al.	
D481,402	S *	10/2003	Jenkins et al. ....	D15/140
6,746,055	B1	6/2004	Wood et al.	
6,776,386	B1	8/2004	Morrissey et al.	
6,994,244	B2	2/2006	Harger et al.	
7,240,717	B2	7/2007	Lofton	
7,294,913	B2	11/2007	Fischer et al.	
D580,859	S	11/2008	Jones et al.	
D603,671	S *	11/2009	Tippmann, Sr. ....	D8/59
7,946,466	B1	5/2011	Lofton	
7,950,568	B2	5/2011	Stidham et al.	
7,975,900	B2	7/2011	Lofton et al.	
7,980,017	B2 *	7/2011	Harman, III .....	42/94
8,074,864	B2	12/2011	Lofton et al.	
D666,976	S	9/2012	Gassner	
D702,100	S *	4/2014	Larard .....	D8/72
2005/0093412	A1	5/2005	Lykowski et al.	

\* cited by examiner

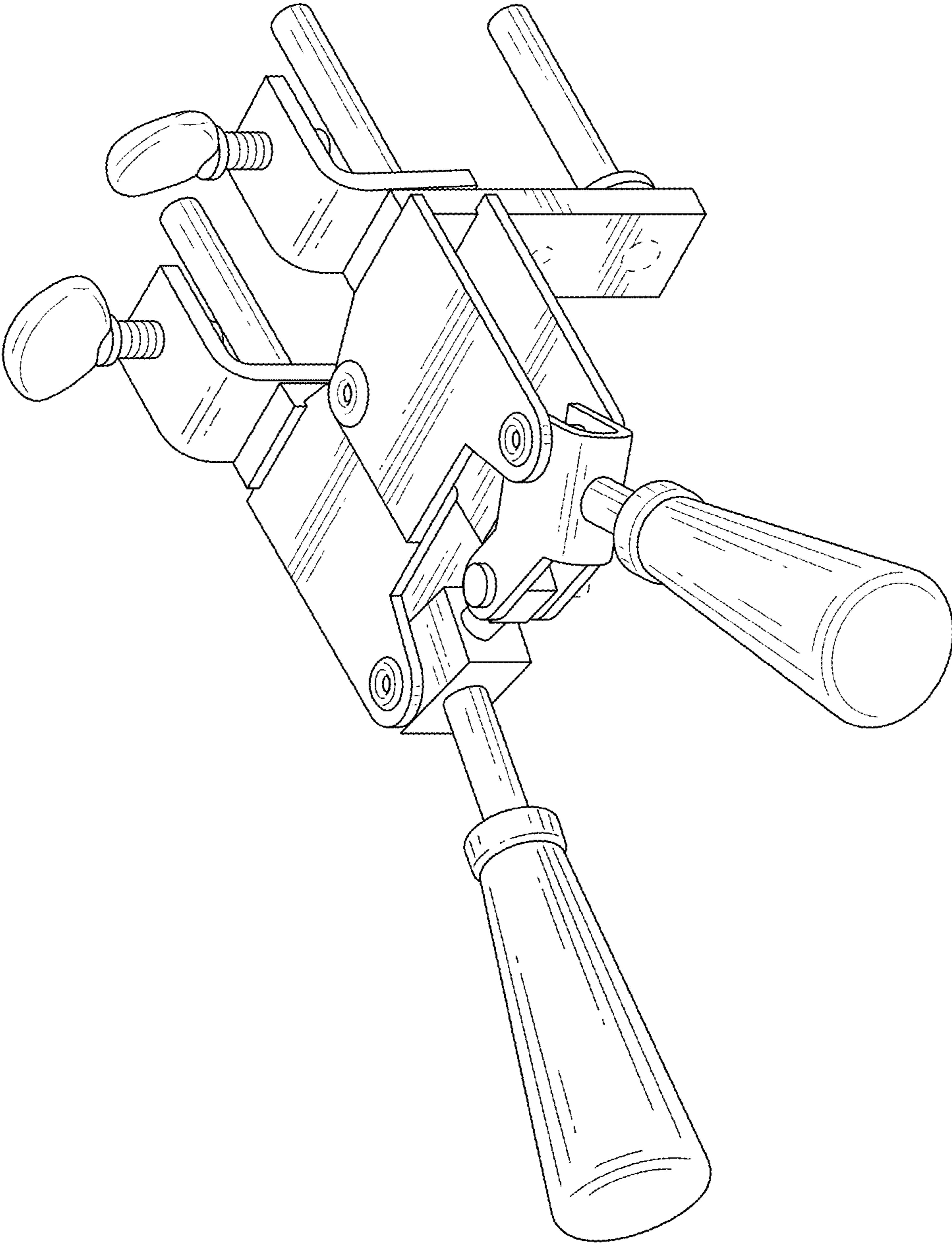
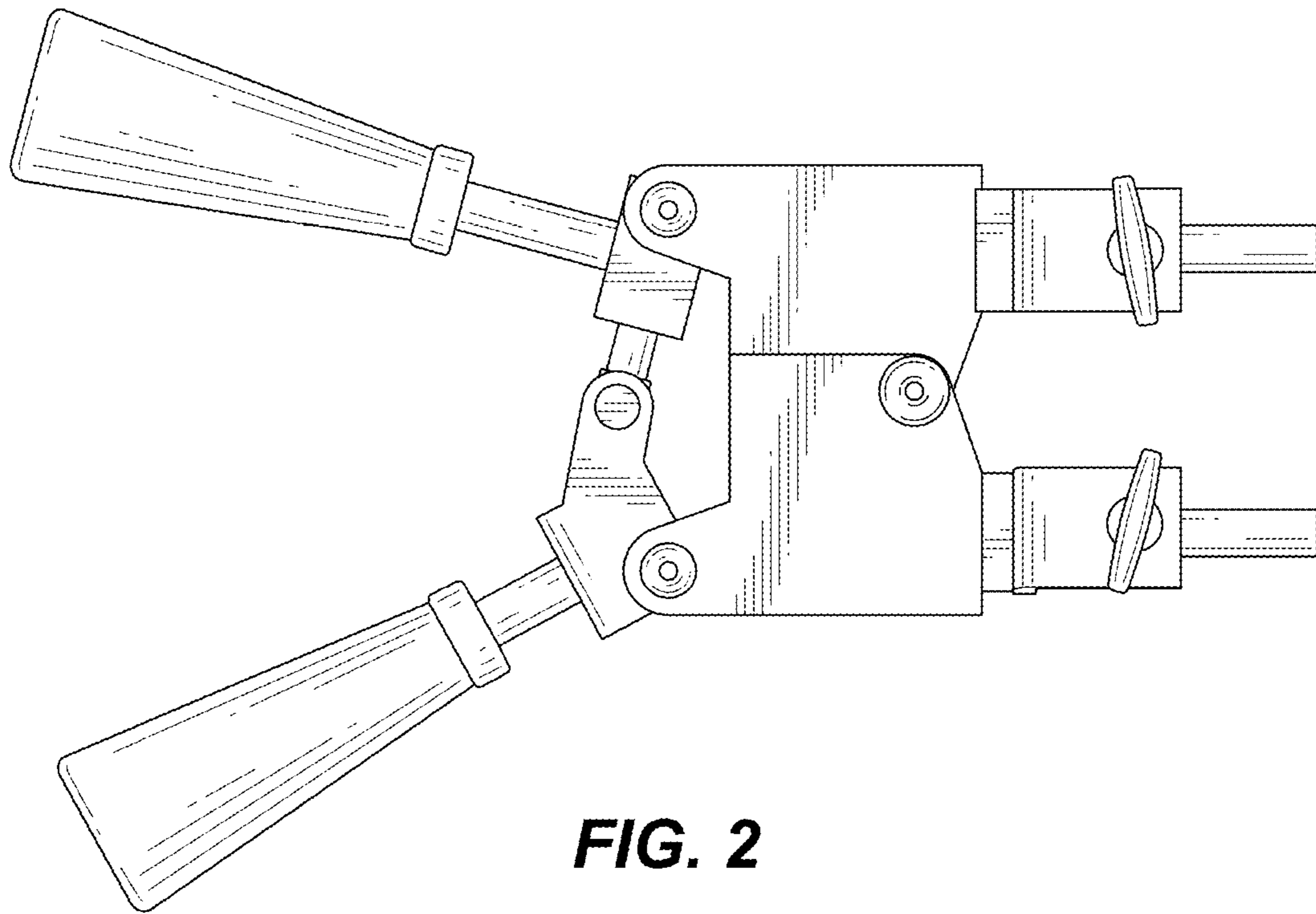
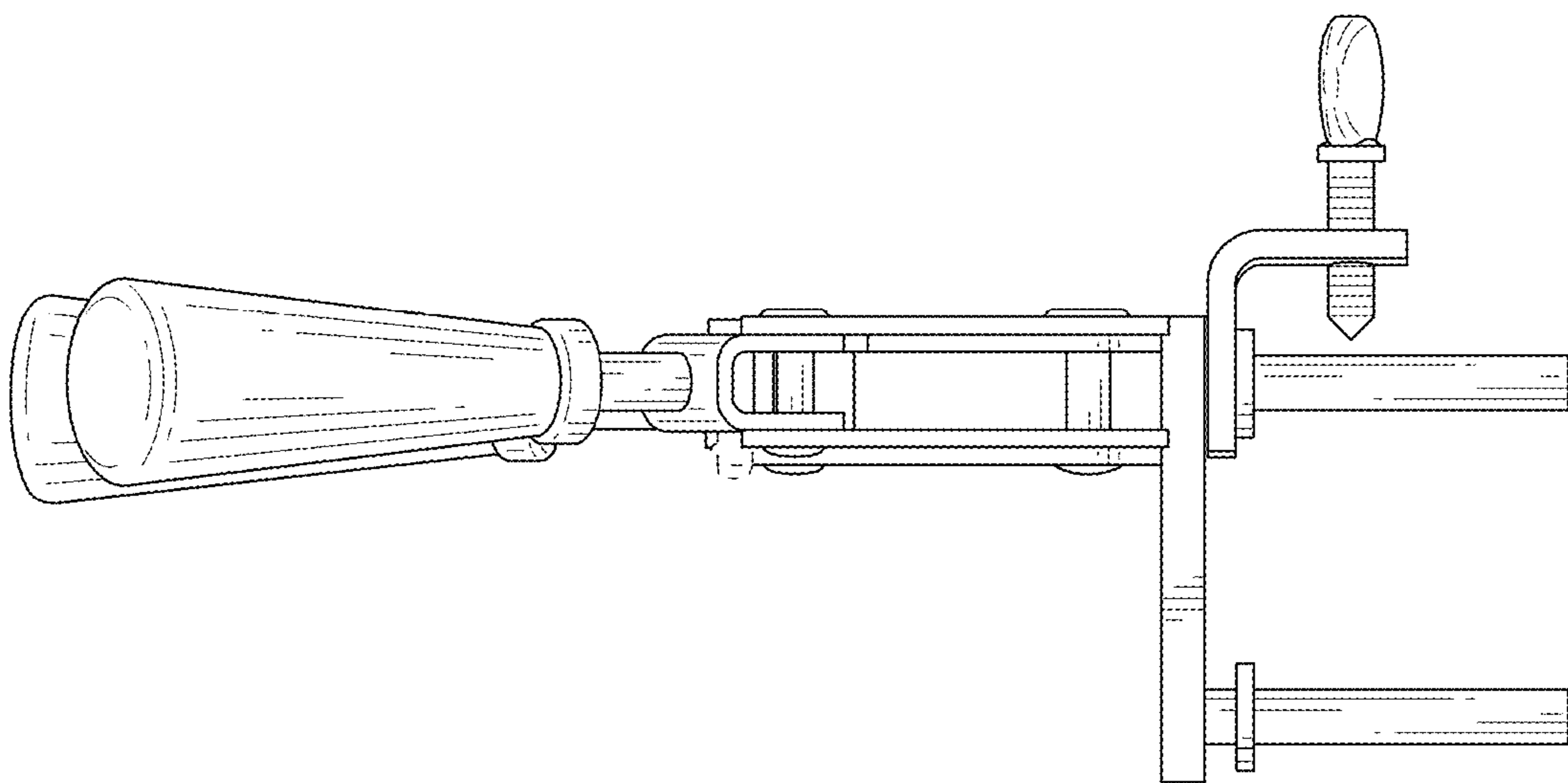


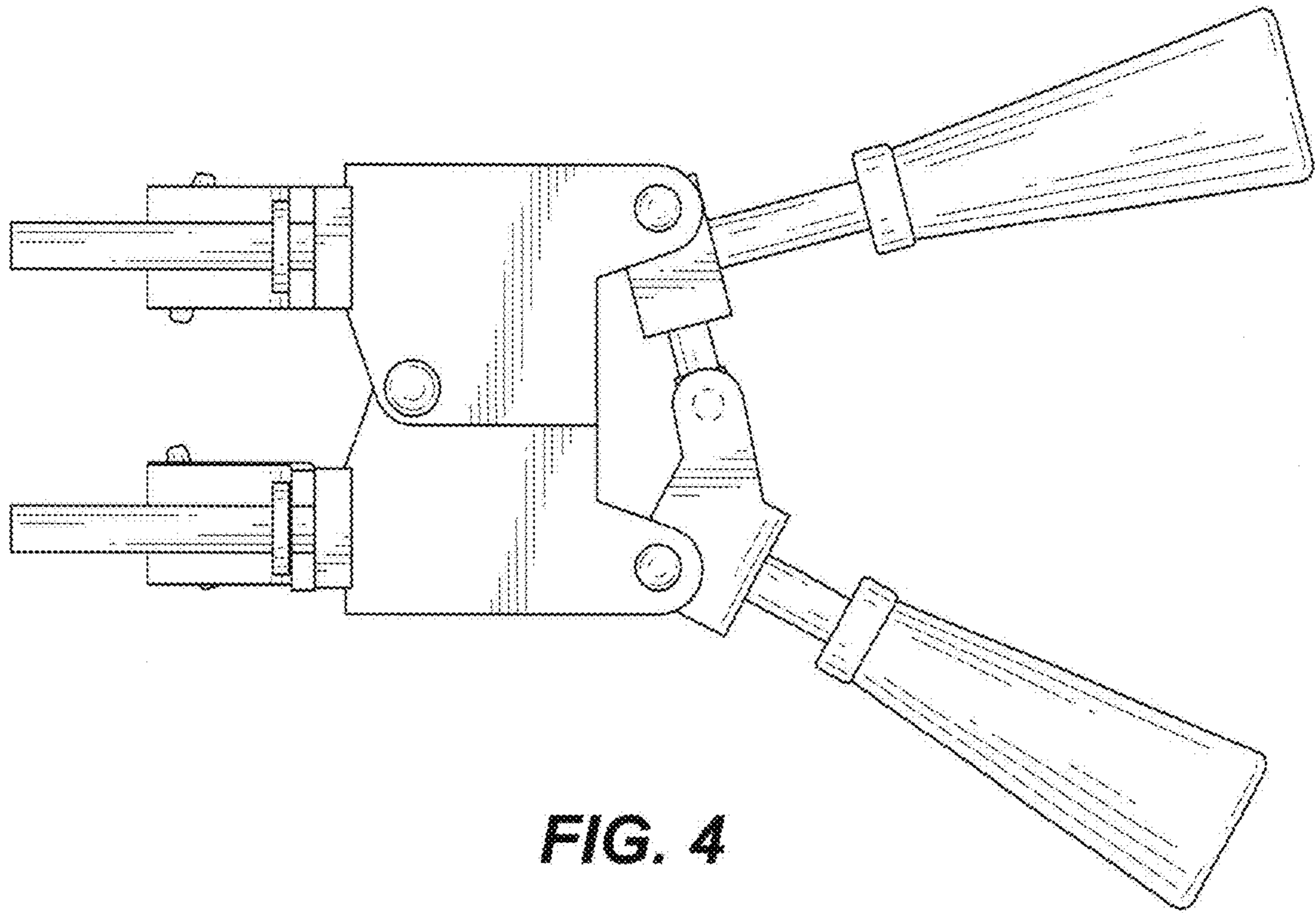
FIG. 1



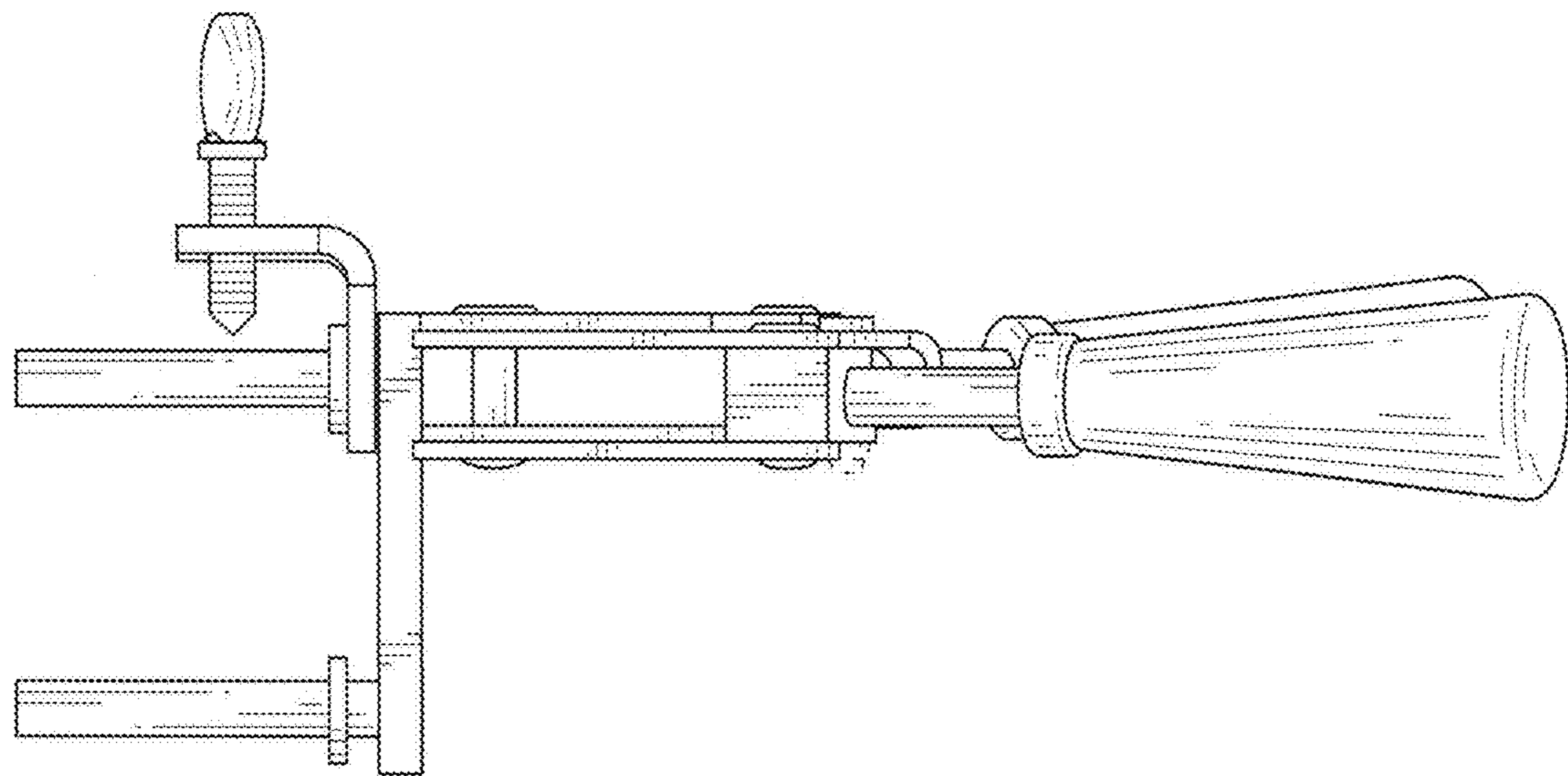
**FIG. 2**



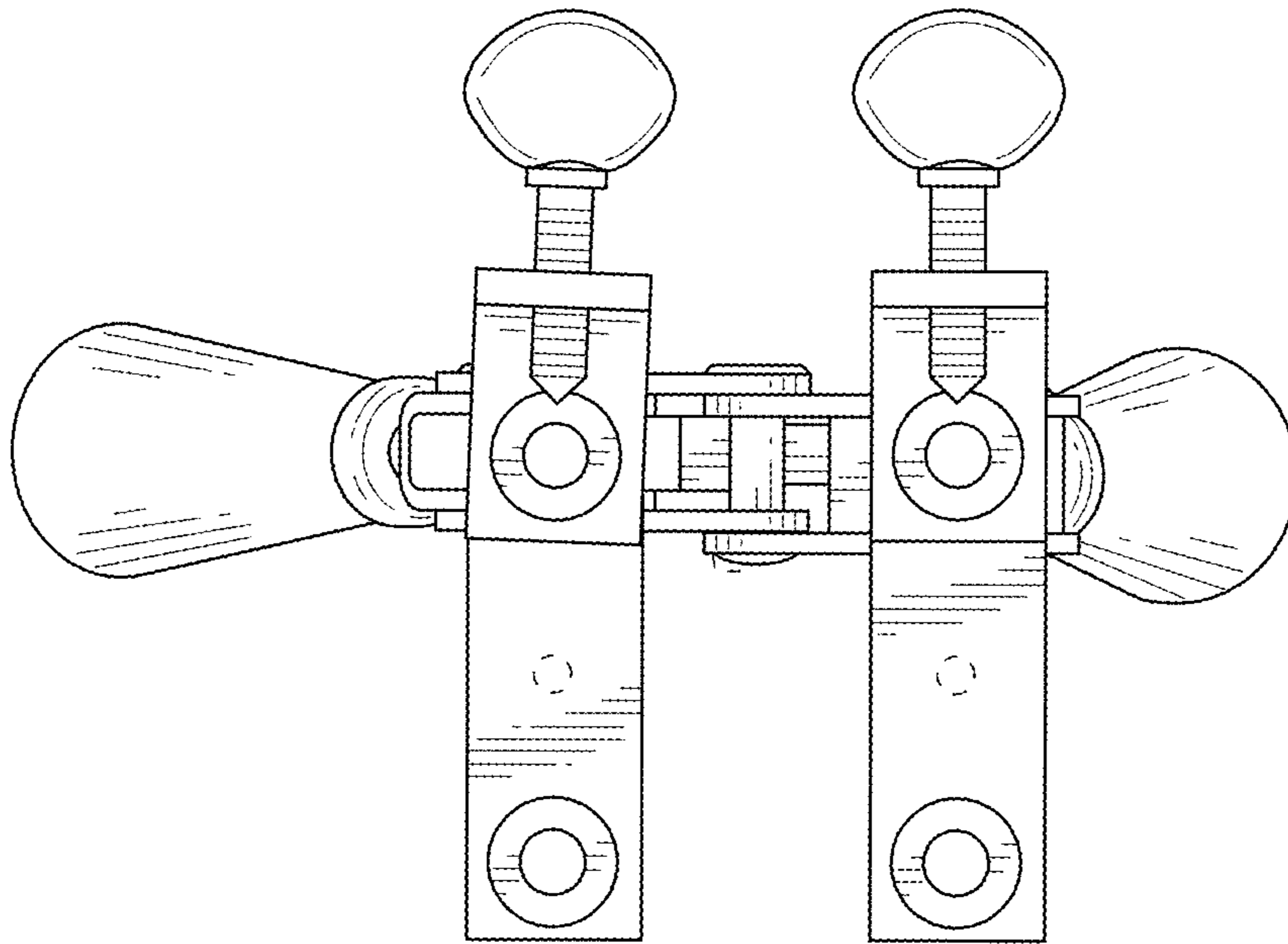
**FIG. 3**



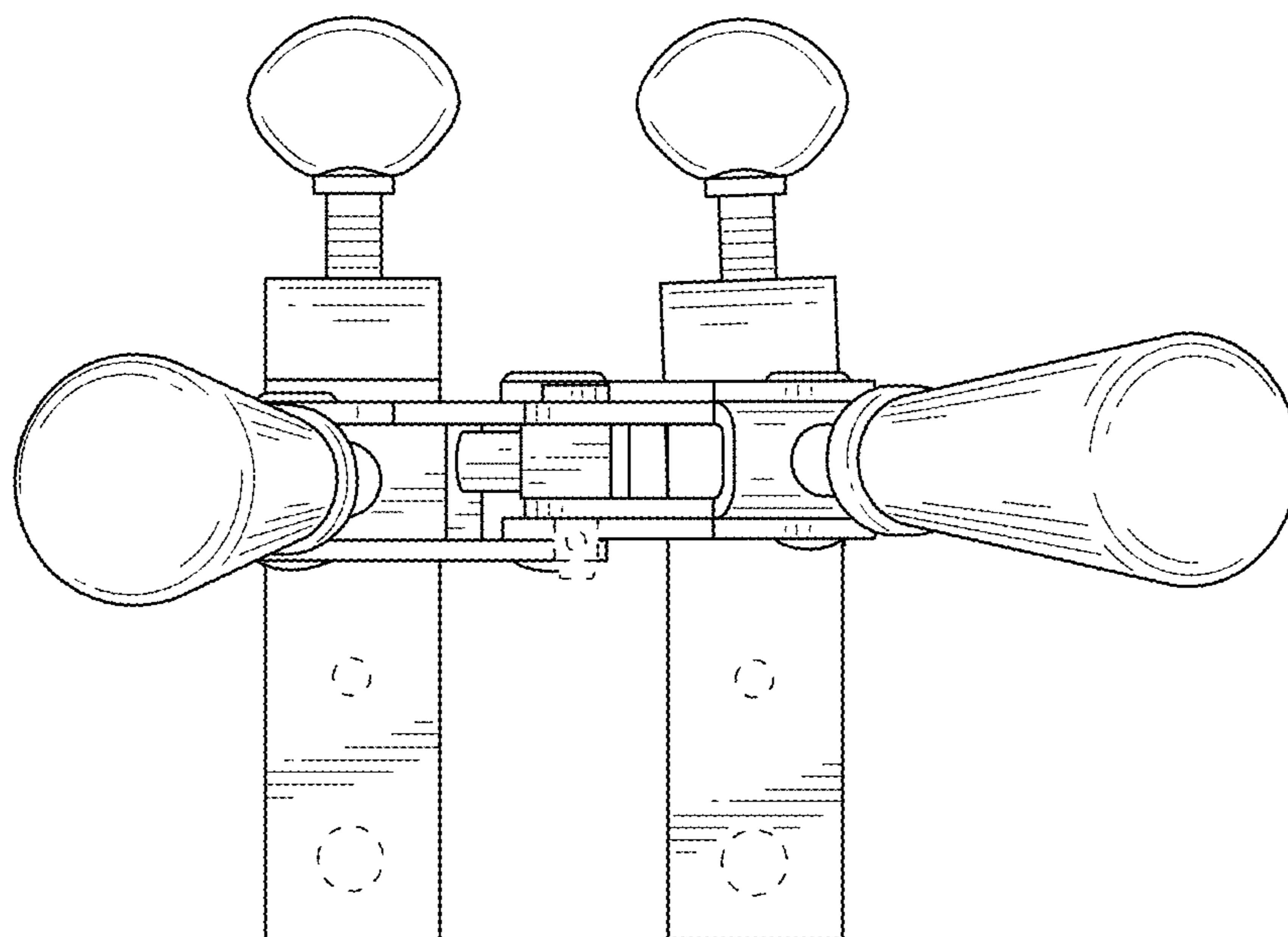
**FIG. 4**



**FIG. 5**



**FIG. 6**



**FIG. 7**