



US00D777546S

(12) **United States Design Patent**  
**Ishii et al.**

(10) **Patent No.:** **US D777,546 S**

(45) **Date of Patent:** **\*\* Jan. 31, 2017**

(54) **WORK HOLDER FOR POLISHING APPARATUS**

(71) Applicant: **EBARA CORPORATION**, Tokyo (JP)

(72) Inventors: **Yu Ishii**, Tokyo (JP); **Kenya Ito**, Tokyo (JP); **Hirohiko Ueda**, Tokyo (JP)

(73) Assignee: **EBARA CORPORATION**, Tokyo (JP)

(\*\*) Term: **15 Years**

(21) Appl. No.: **29/545,509**

(22) Filed: **Nov. 13, 2015**

(30) **Foreign Application Priority Data**

May 14, 2015 (JP) ..... 2015-010516

(51) **LOC (10) Cl.** ..... **08-05**

(52) **U.S. Cl.**  
USPC ..... **D8/71**

(58) **Field of Classification Search**  
USPC ..... D8/71  
CPC ..... B24B 37/20; B24B 37/08; B24B 37/107  
See application file for complete search history.

(56) **References Cited**

**U.S. PATENT DOCUMENTS**

3,000,469 A \* 9/1961 Froehlich ..... B23Q 16/022  
188/72.7  
3,107,522 A \* 10/1963 Bonewits ..... G01N 3/04  
279/97

5,487,697 A \* 1/1996 Jensen ..... B24B 37/08  
451/143

5,860,851 A \* 1/1999 Beppu ..... B24B 37/042  
451/287

6,299,506 B2 \* 10/2001 Nishimura ..... 451/271

6,319,106 B2 \* 11/2001 Numoto ..... 451/287

\* cited by examiner

*Primary Examiner* — Caron D Veynar

*Assistant Examiner* — Maria Edwards

(74) *Attorney, Agent, or Firm* — Pearne & Gordon LLP

(57) **CLAIM**

The ornamental design for a work holder for polishing apparatus, as shown and described.

**DESCRIPTION**

FIG. 1 is a first perspective view, observed from top of a work holder for polishing apparatus showing our new design;

FIG. 2 is a second perspective view, observed from bottom thereof;

FIG. 3 is a front view thereof;

FIG. 4 is a right side view thereof;

FIG. 5 is a left side view thereof;

FIG. 6 is a top view thereof; and,

FIG. 7 is a bottom view thereof.

**1 Claim, 3 Drawing Sheets**

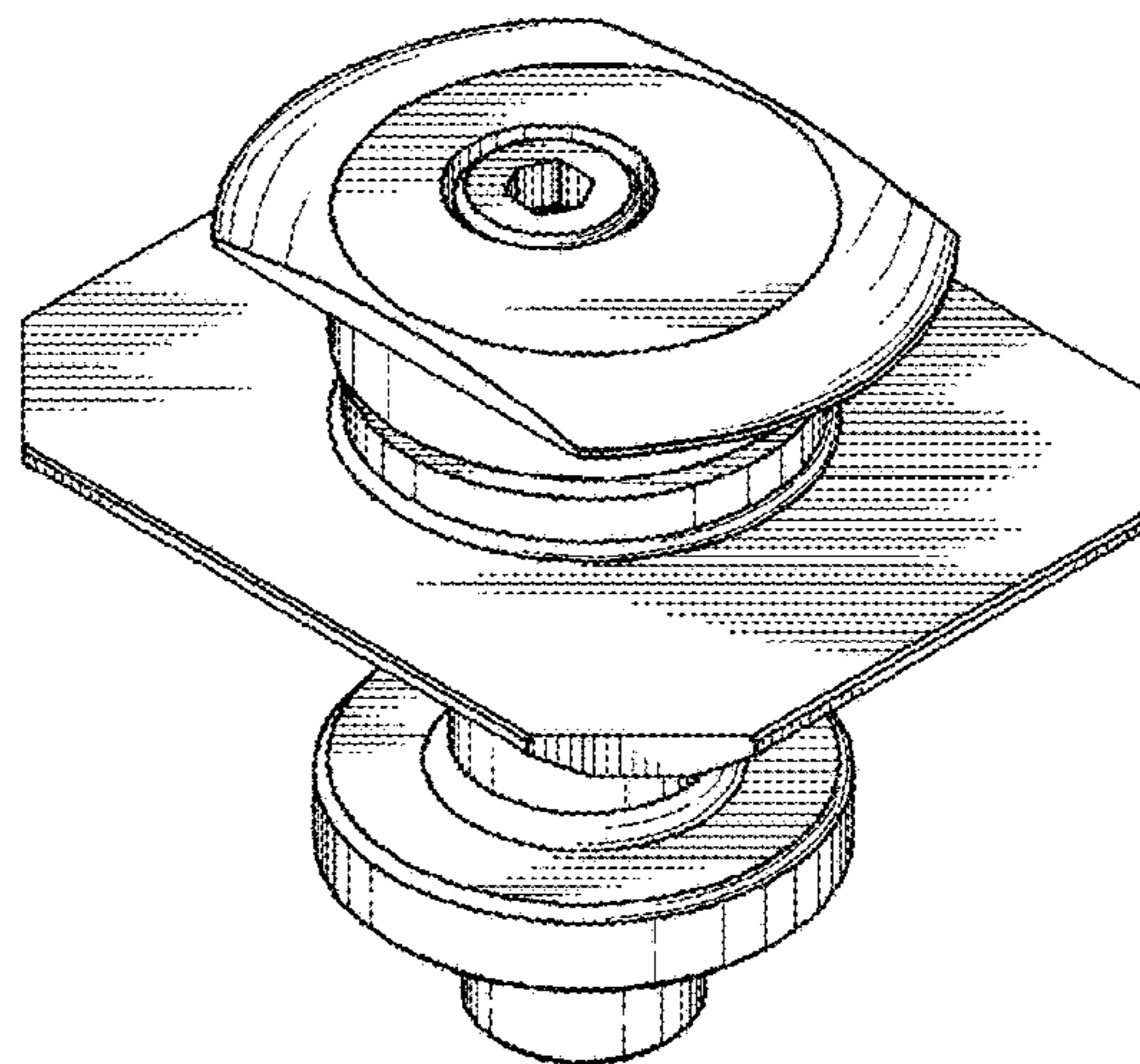
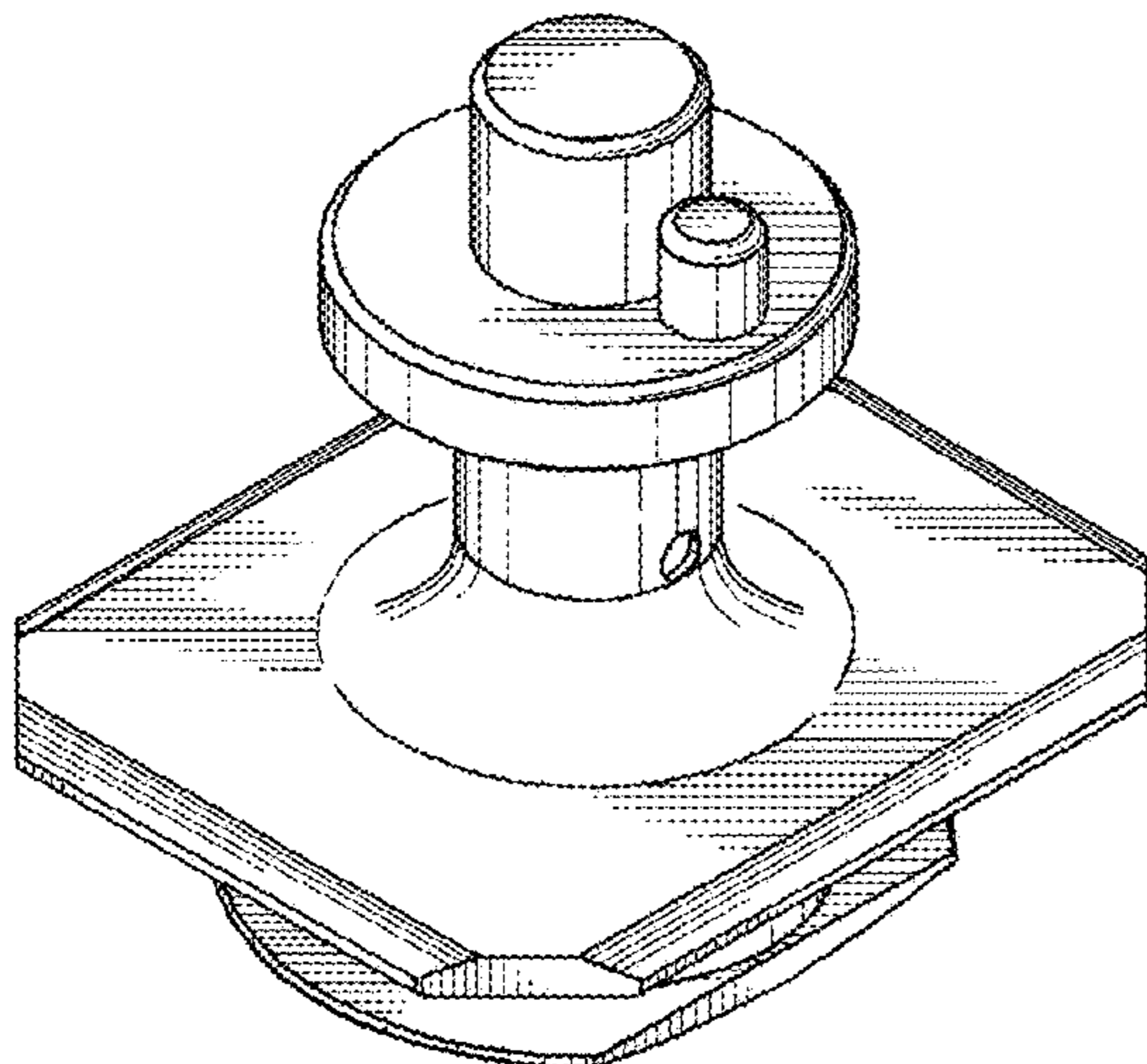


FIG. 1

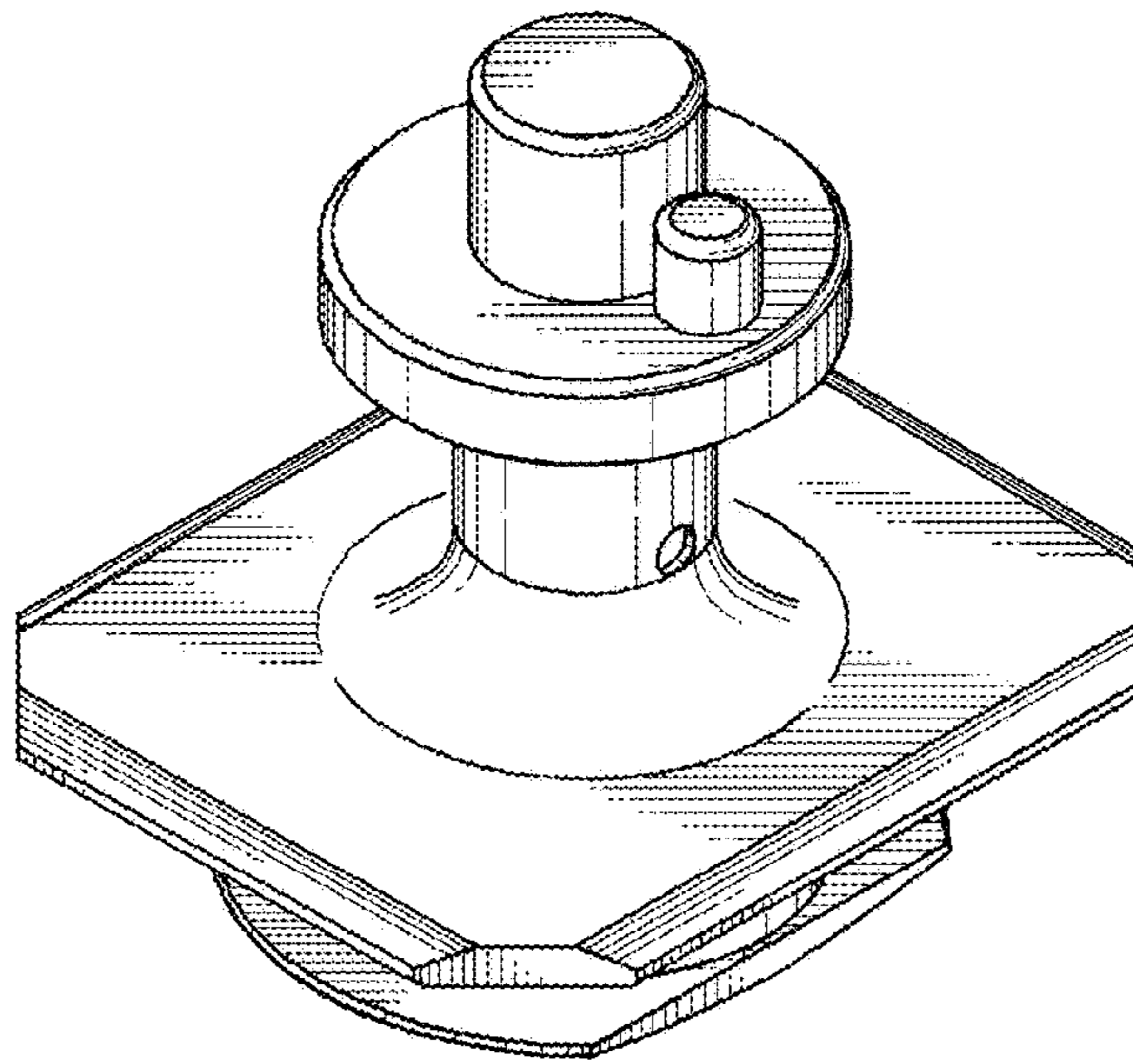


FIG. 2

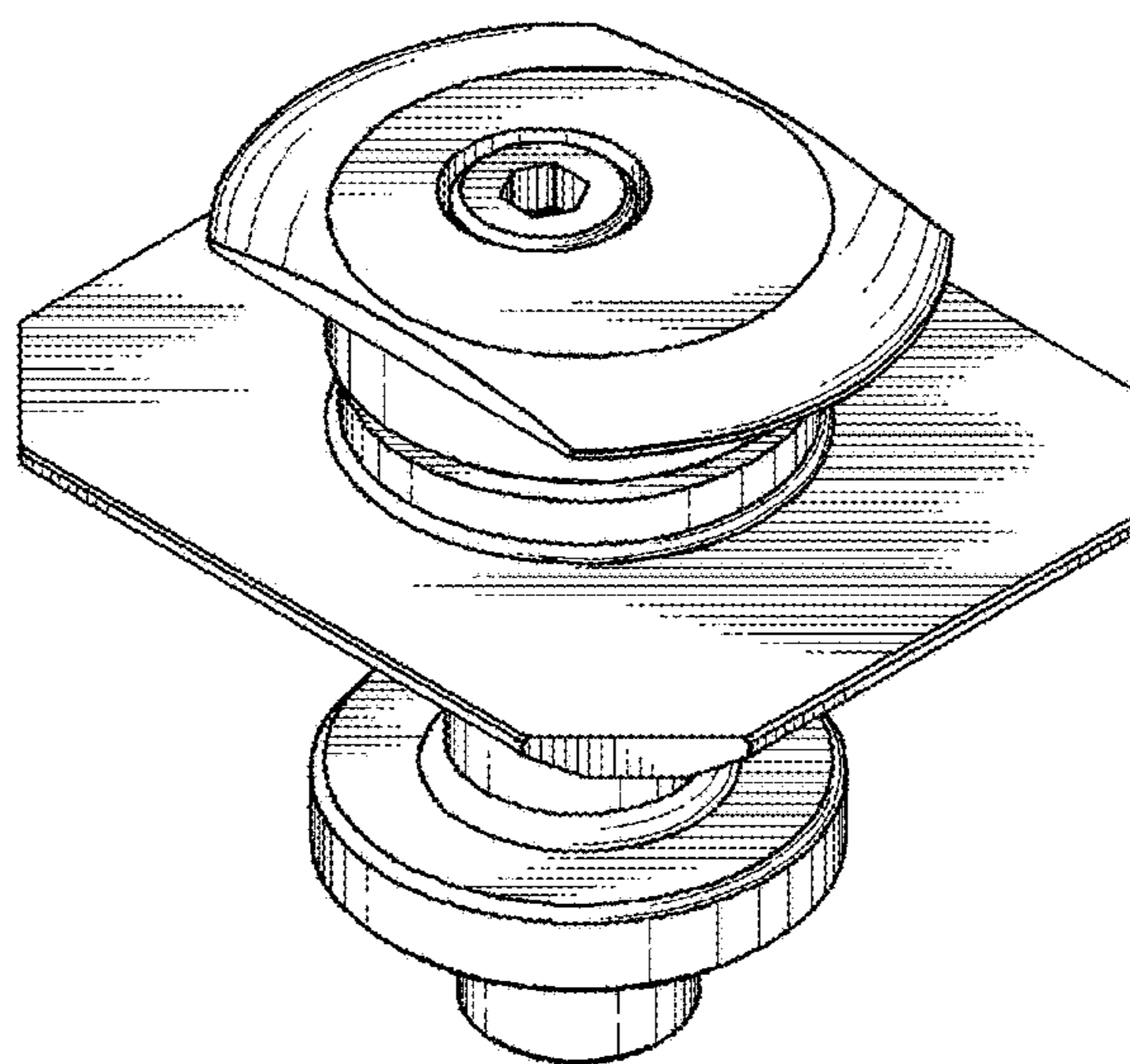


FIG. 3

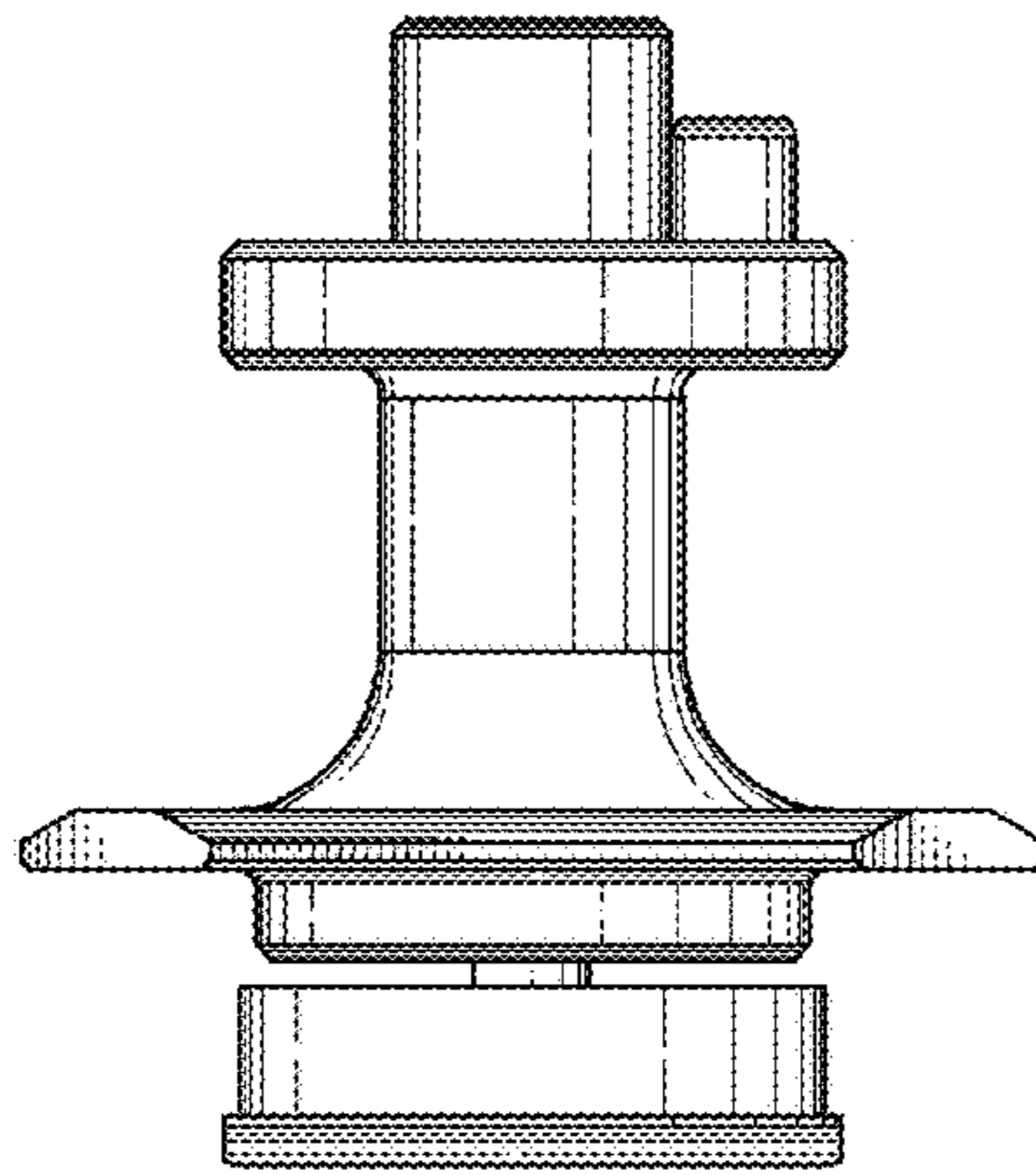


FIG. 5

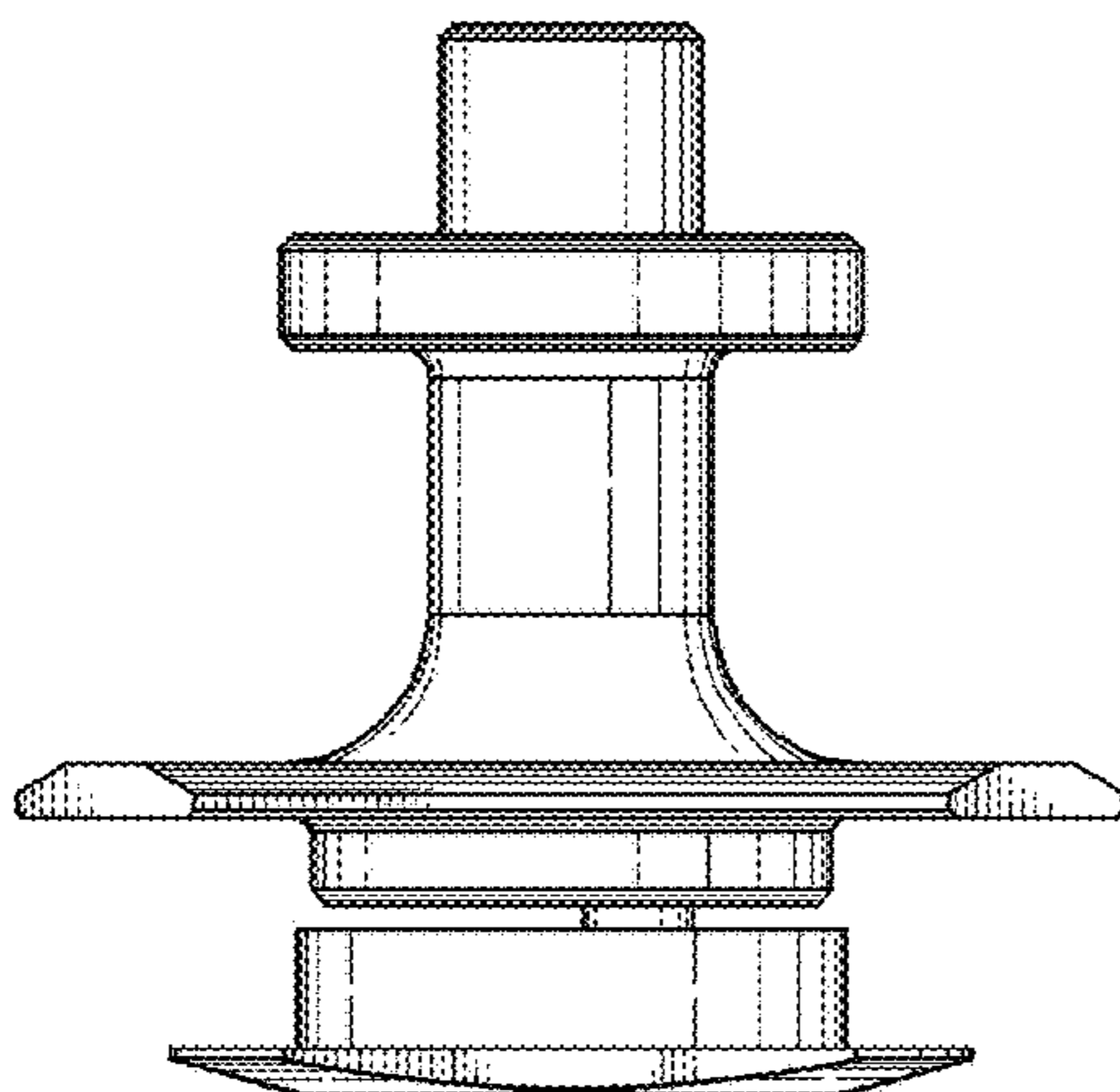


FIG. 4

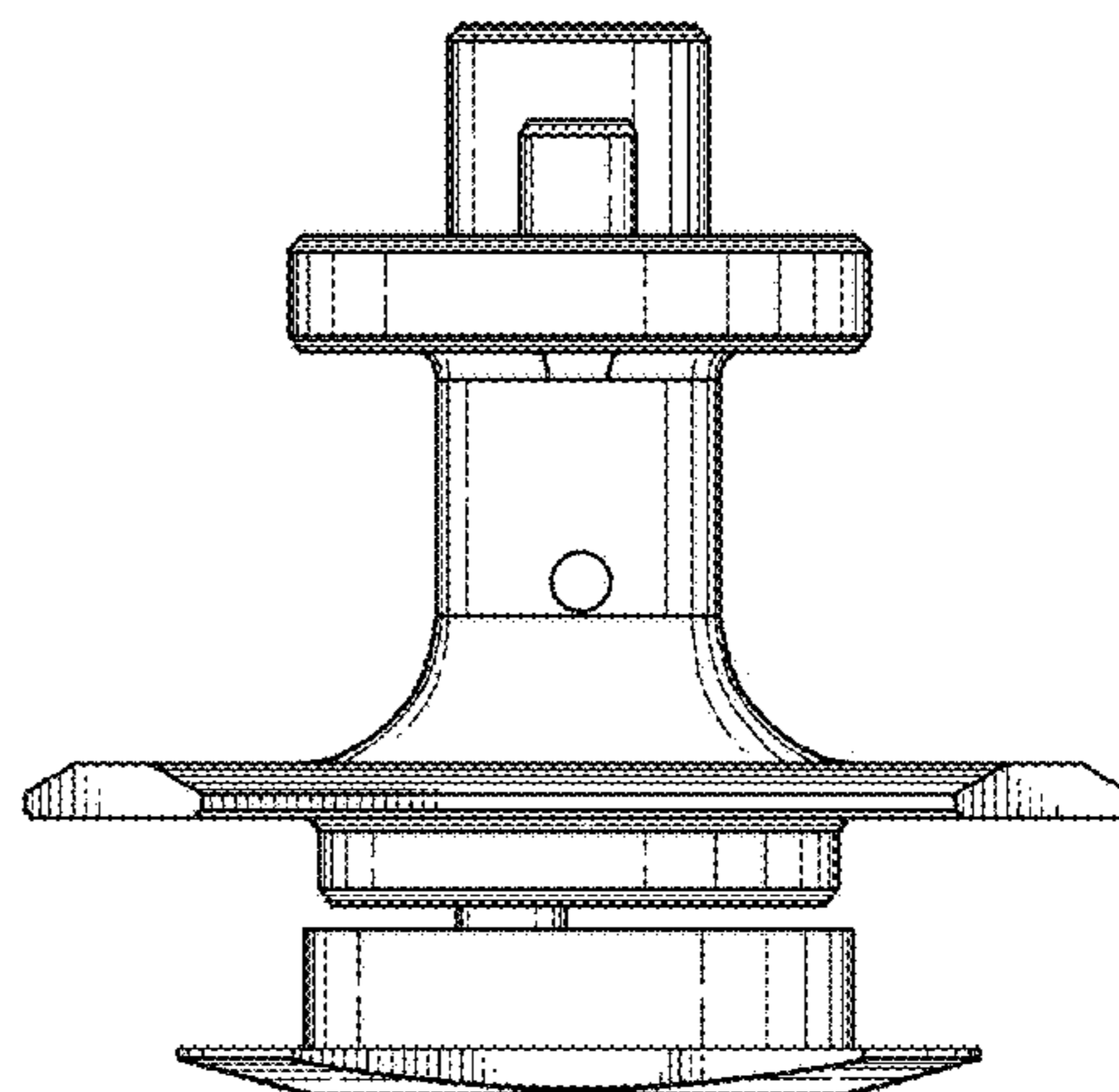


FIG. 6

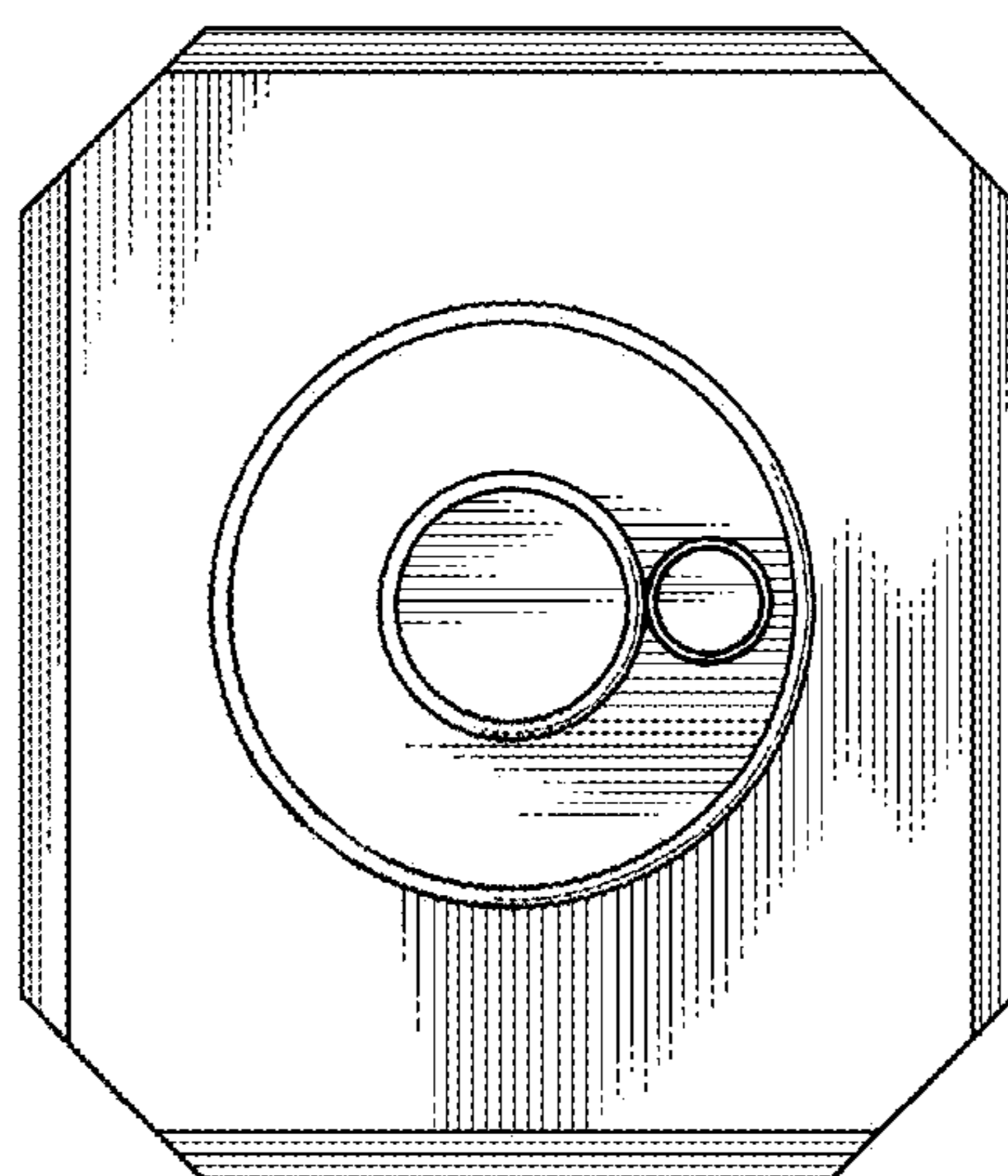


FIG. 7

