



US00D777541S

(12) **United States Design Patent**
White et al.

(10) **Patent No.:** **US D777,541 S**
(45) **Date of Patent:** **** Jan. 31, 2017**

(54) **ELECTROLYTIC BRUSH HANDLE**

(71) Applicant: **Ensitech IP Pty Limited**, Emu Plains (AU)

(72) Inventors: **Clive Stuart White**, Faulconbridge (AU); **Mark Robert Fischer**, Cabramatta (AU); **Franco Fornesari**, Springwood (AU)

(73) Assignee: **ENSITECH IP PTY LIMITED** (AU)

(**) Term: **14 Years**

(21) Appl. No.: **29/508,806**

(22) Filed: **Nov. 11, 2014**

(30) **Foreign Application Priority Data**

May 12, 2014 (AU) 12271/2014

(51) **LOC (10) Cl.** **08-05**

(52) **U.S. Cl.**
USPC **D8/30**

(58) **Field of Classification Search**
USPC D8/29.1, 30, 14, 51, 68; D15/144, 144.1, D15/144.2
CPC C25D 17/00; C25D 17/14; C25D 17/16
See application file for complete search history.

(56) **References Cited**

U.S. PATENT DOCUMENTS

4,159,934 A * 7/1979 Kadija C25D 17/14
204/224 R

D257,553 S * 11/1980 Hashimoto D8/30
4,992,154 A * 2/1991 Ida C25D 17/14
204/224 M
5,401,369 A * 3/1995 Gershin C25D 17/14
204/224 R
5,985,107 A * 11/1999 McLaughlin C25D 17/14
204/224 R
D608,176 S * 1/2010 Heidelberg D8/68
D619,438 S * 7/2010 Lee D8/68

* cited by examiner

Primary Examiner — Phillip S Hyder

(74) *Attorney, Agent, or Firm* — Galgano IP Law PLLC;
Thomas M. Galgano; Jessica G. McDonald

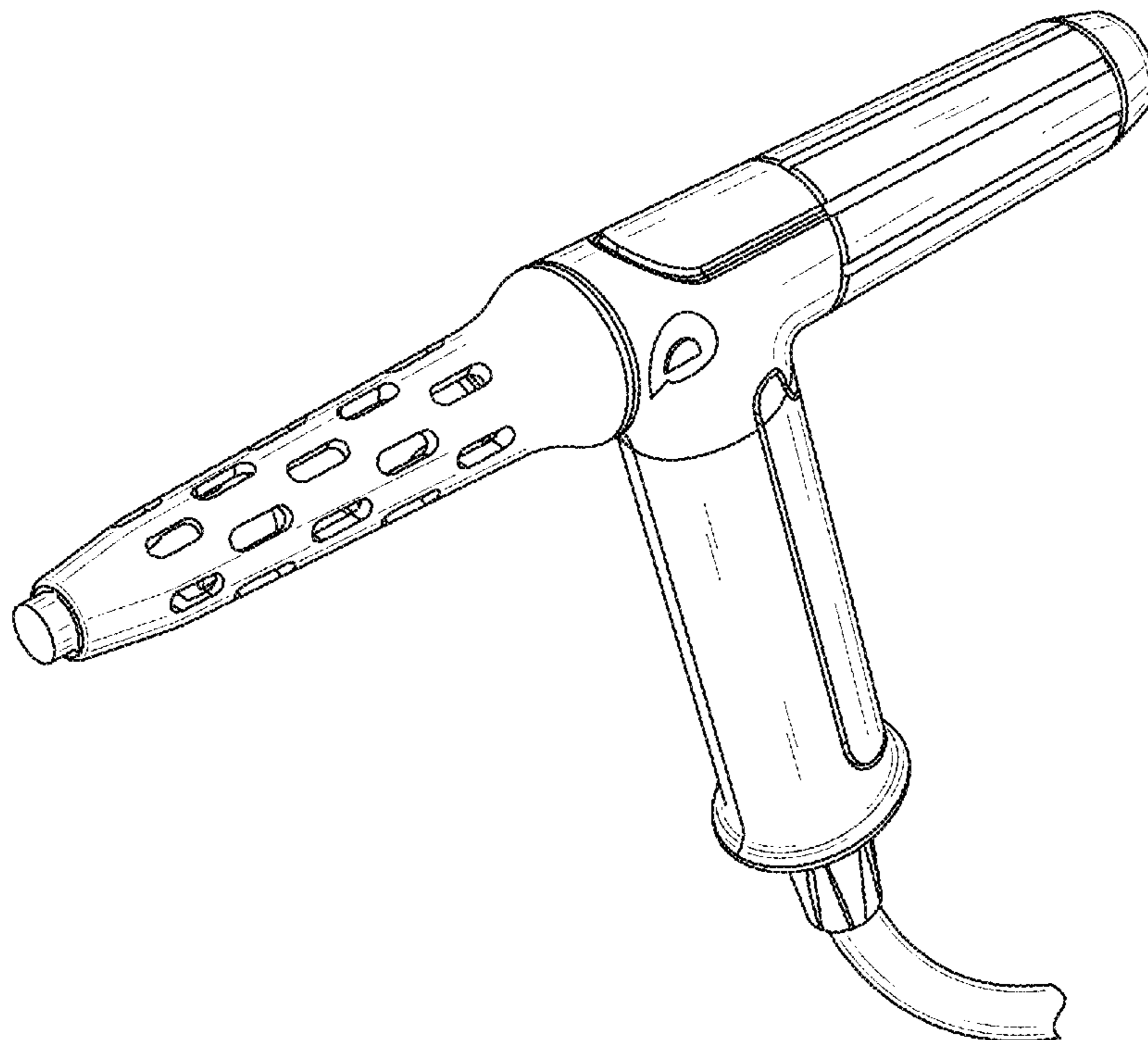
(57) **CLAIM**

The ornamental design for an electrolytic brush handle, as shown and described.

DESCRIPTION

FIG. 1 is a front perspective view of the electrolytic brush handle showing the design;
FIG. 2 is a rear perspective view;
FIG. 3 is a front view;
FIG. 4 is a top view; and,
FIG. 5 is a left side view thereof, the right side view is identical.

1 Claim, 5 Drawing Sheets



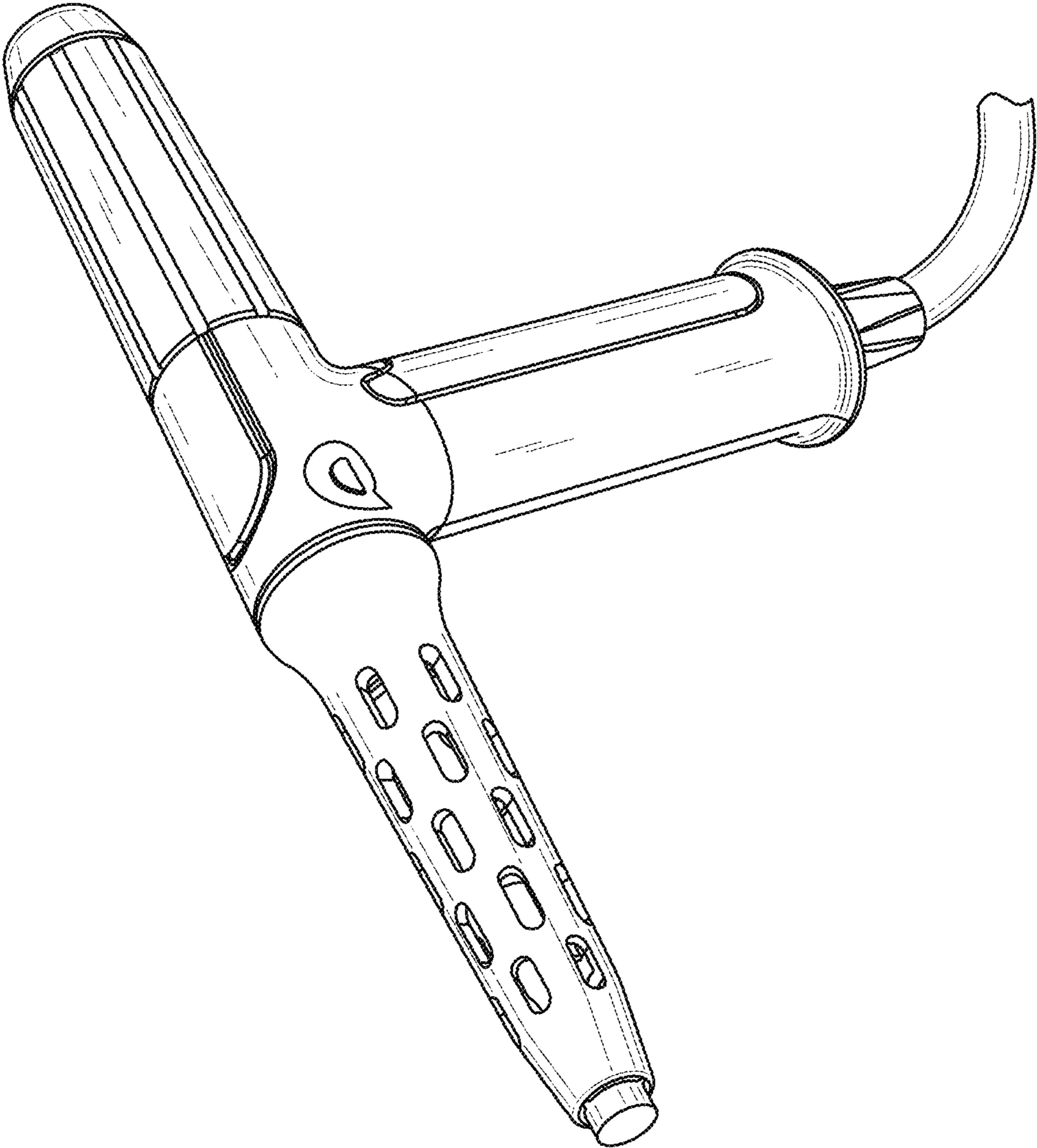


Fig. 1

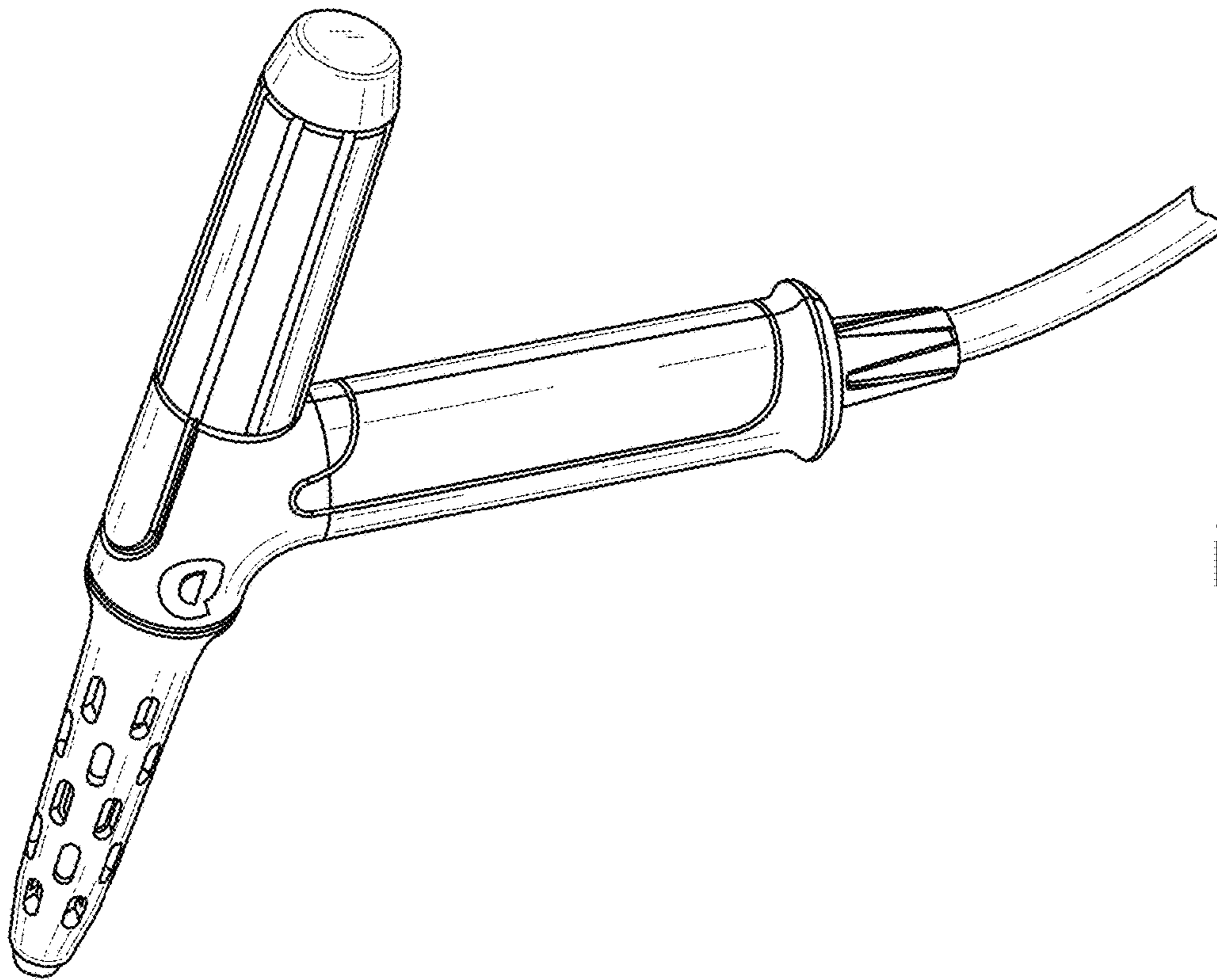


Fig. 2

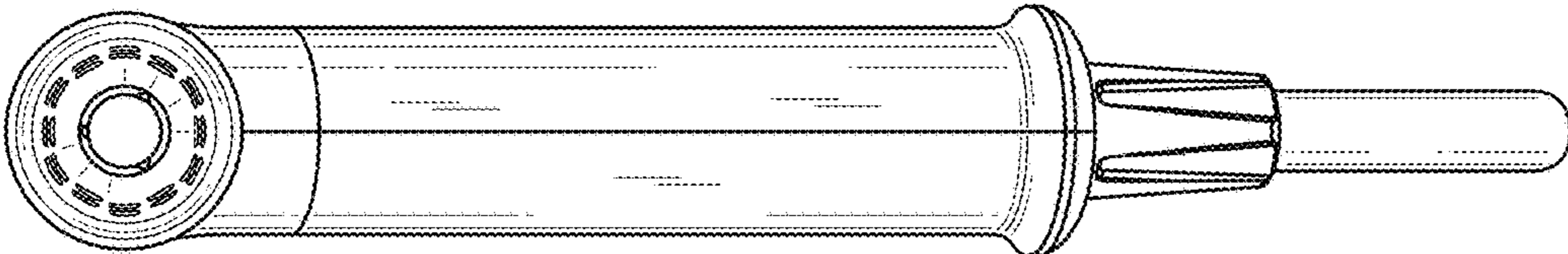


Fig. 3

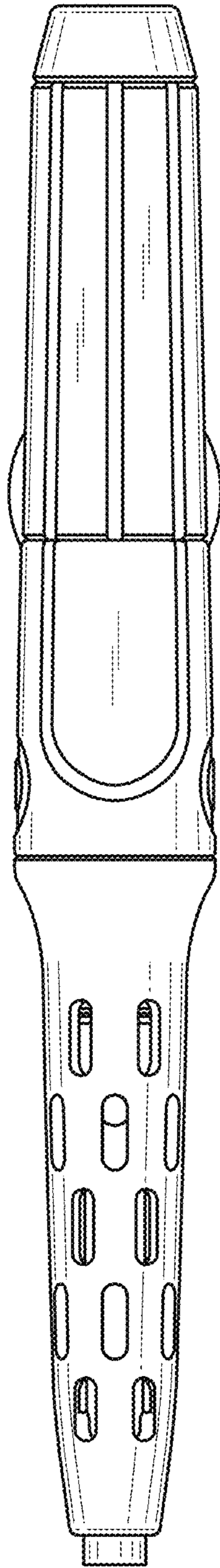


Fig. 4

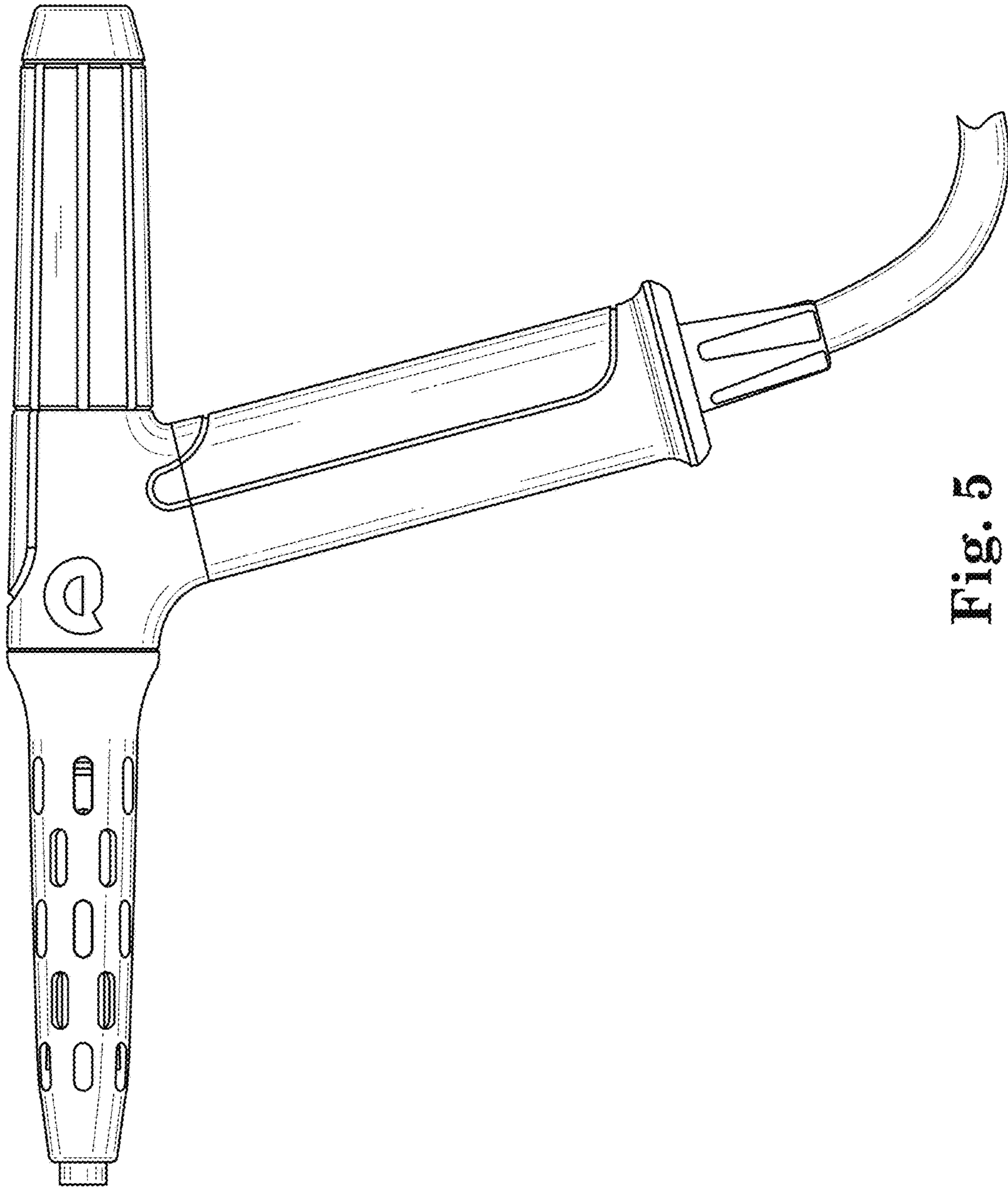


Fig. 5