



US00D777540S

(12) **United States Design Patent**  
**Suquet et al.**

(10) **Patent No.:** **US D777,540 S**  
(45) **Date of Patent:** **\*\* Jan. 31, 2017**

(54) **VEGETABLE STRIP PEELER**

(71) Applicant: **MASTRAD, S.A.**, Paris (FR)

(72) Inventors: **Berengere Suquet**, Paris (FR);  
**Mathieu Lion**, Paris (FR)

(73) Assignee: **Mastrad, S.A.**, Paris (FR)

(\*\*) Term: **14 Years**

(21) Appl. No.: **29/499,871**

(22) Filed: **Aug. 19, 2014**

(30) **Foreign Application Priority Data**

Feb. 24, 2014 (EM) ..... 002410928-00001

(51) **LOC (10) Cl.** ..... **07-06**

(52) **U.S. Cl.**  
USPC ..... **D7/695**

(58) **Field of Classification Search**  
USPC ..... D7/368, 381, 682, 695, 696; D8/47, 48;  
30/121.5, 149, 123.7, 162; 99/567-568,  
99/588, 600  
CPC .. B26D 2003/285; B26D 3/185; Y10S 83/932  
See application file for complete search history.

(56) **References Cited**

**U.S. PATENT DOCUMENTS**

4,227,656 A \* 10/1980 Engebretsen ..... 241/93  
4,738,195 A \* 4/1988 Berube et al. .... 99/591  
D433,872 S \* 11/2000 Naft et al. .... D7/384  
D438,753 S \* 3/2001 Fouquet ..... D7/381  
D612,667 S \* 3/2010 Klotz ..... D7/381  
D630,913 S \* 1/2011 Mishan et al. .... D7/693  
D718,581 S \* 12/2014 Exley ..... D7/695

**FOREIGN PATENT DOCUMENTS**

KR 20120004144 U \* 6/2012 ..... A23N 7/10

**OTHER PUBLICATIONS**

Mastrad Paris, Deco Veggie-Slicer with 3 blades, [visited site Oct. 27, 2015], Available on the Internet <<http://www.mastrad-paris.us/spiral-veggie-slicer-3-blades.html#prettyPhoto>>.\*  
Bloomingdale's, Mastrad Spiral Veggie Slicer, [visited site Oct. 27, 2015], Available on the Internet <<http://www1.bloomingdales.com/shop/product/mastrad-spiral-veggie-slicer?ID=1048048>>.\*

\* cited by examiner

*Primary Examiner* — Susan Bennett Hattan

*Assistant Examiner* — S. Bryan Reinholdt, Jr.

(74) *Attorney, Agent, or Firm* — Karish & Bjorgum, PC

(57) **CLAIM**

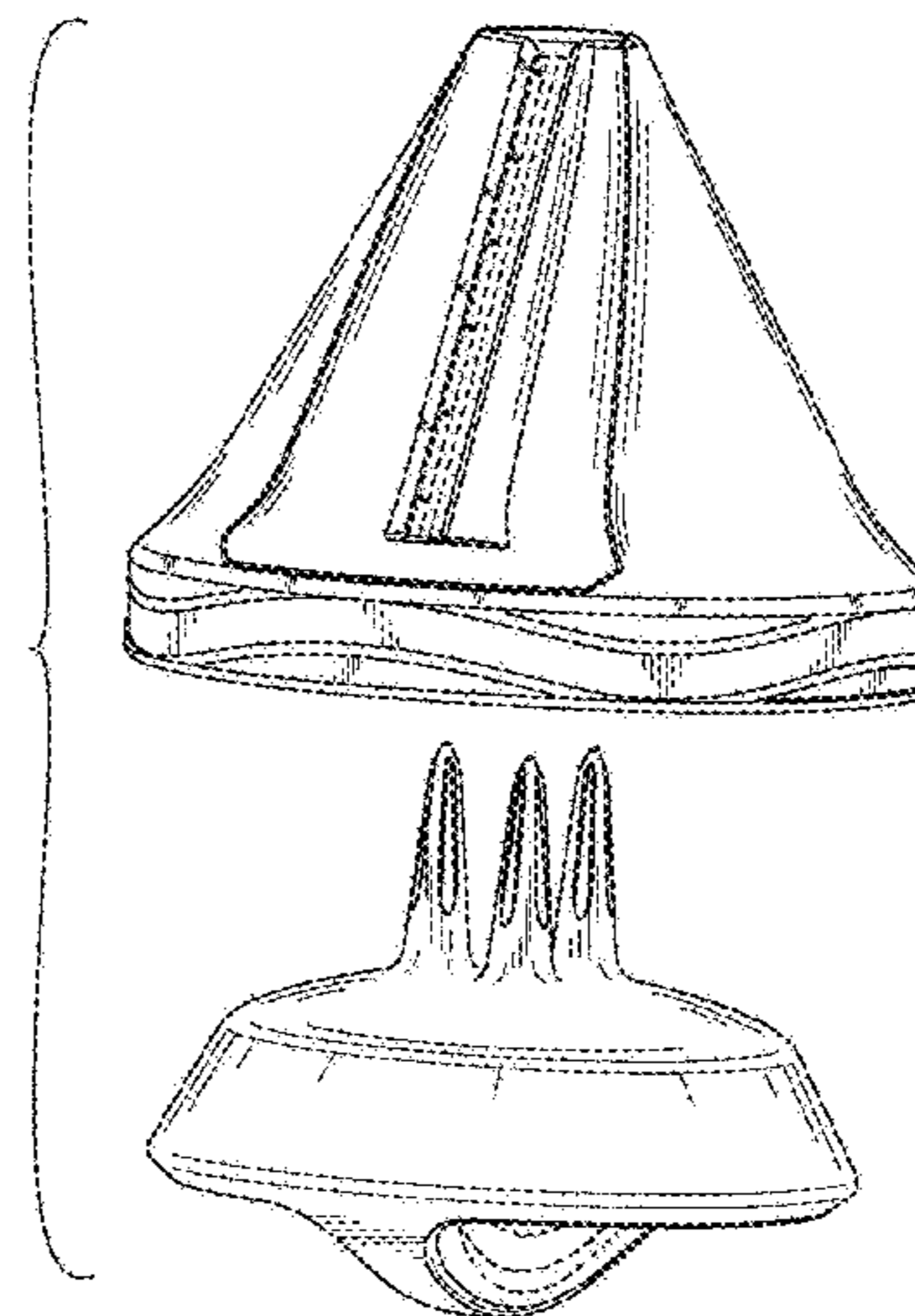
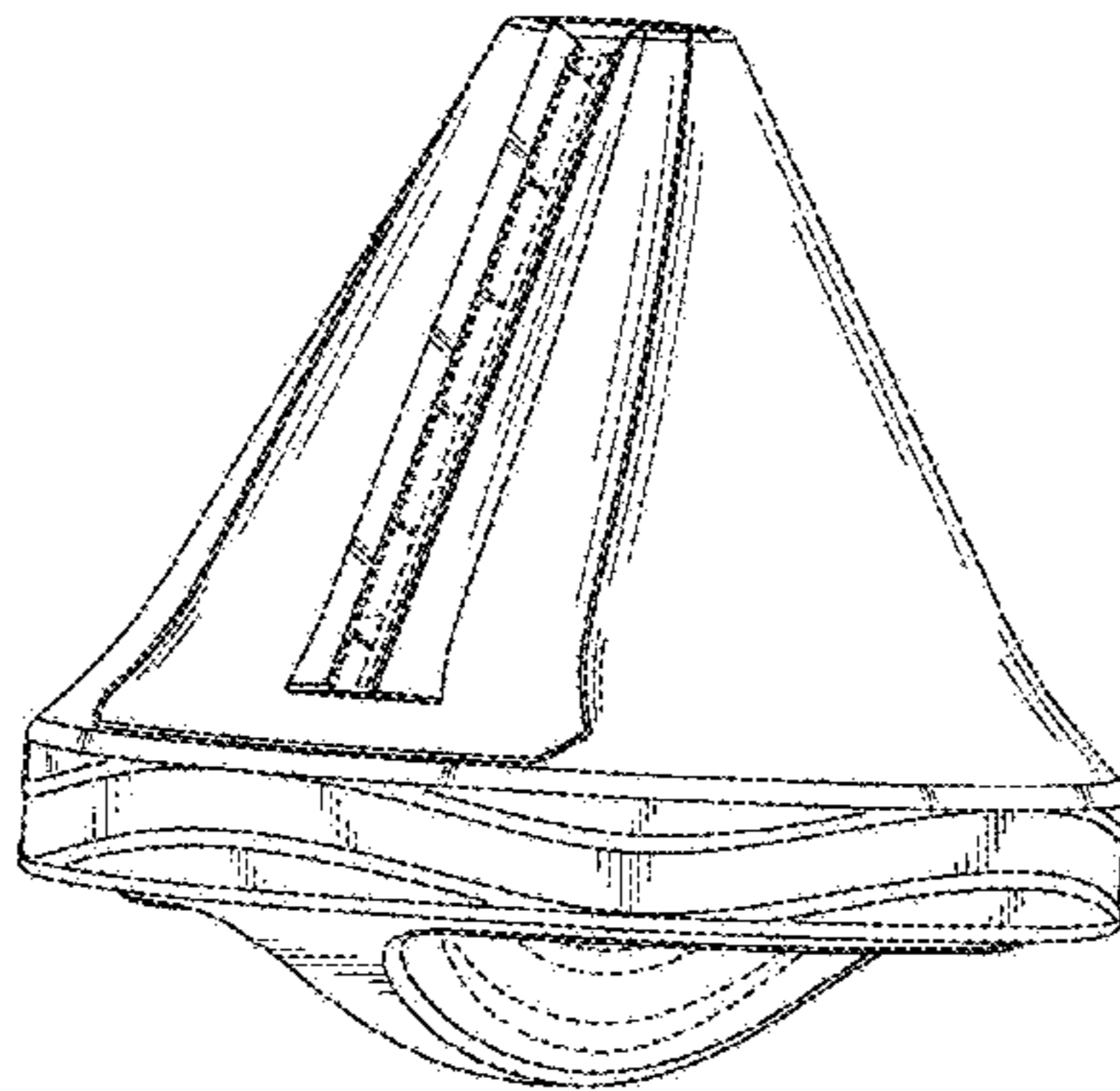
The ornamental design for a vegetable strip peeler, as shown and described.

**DESCRIPTION**

FIG. 1 is a perspective view of a vegetable strip peeler showing my design;  
FIG. 2 is a front view showing the cutter element thereof;  
FIG. 3 is a back view thereof;  
FIG. 4 is a right side view thereof;  
FIG. 5 is a left side view thereof;  
FIG. 6 is a top view thereof;  
FIG. 7 is an exploded perspective view showing the cutter element and the vegetable holder element apart;  
FIG. 8 is a front view of the vegetable holder element of the vegetable strip peeler shown separately to better illustrate the design features;  
FIG. 9 is a right side view thereof; and,  
FIG. 10 is a top view thereof.

The underside of the cutter element without the vegetable holder element does not form a part of the ornamental design. The broken line portion of the figure drawings is included to show subject matter that forms no part of the claimed design.

**1 Claim, 10 Drawing Sheets**



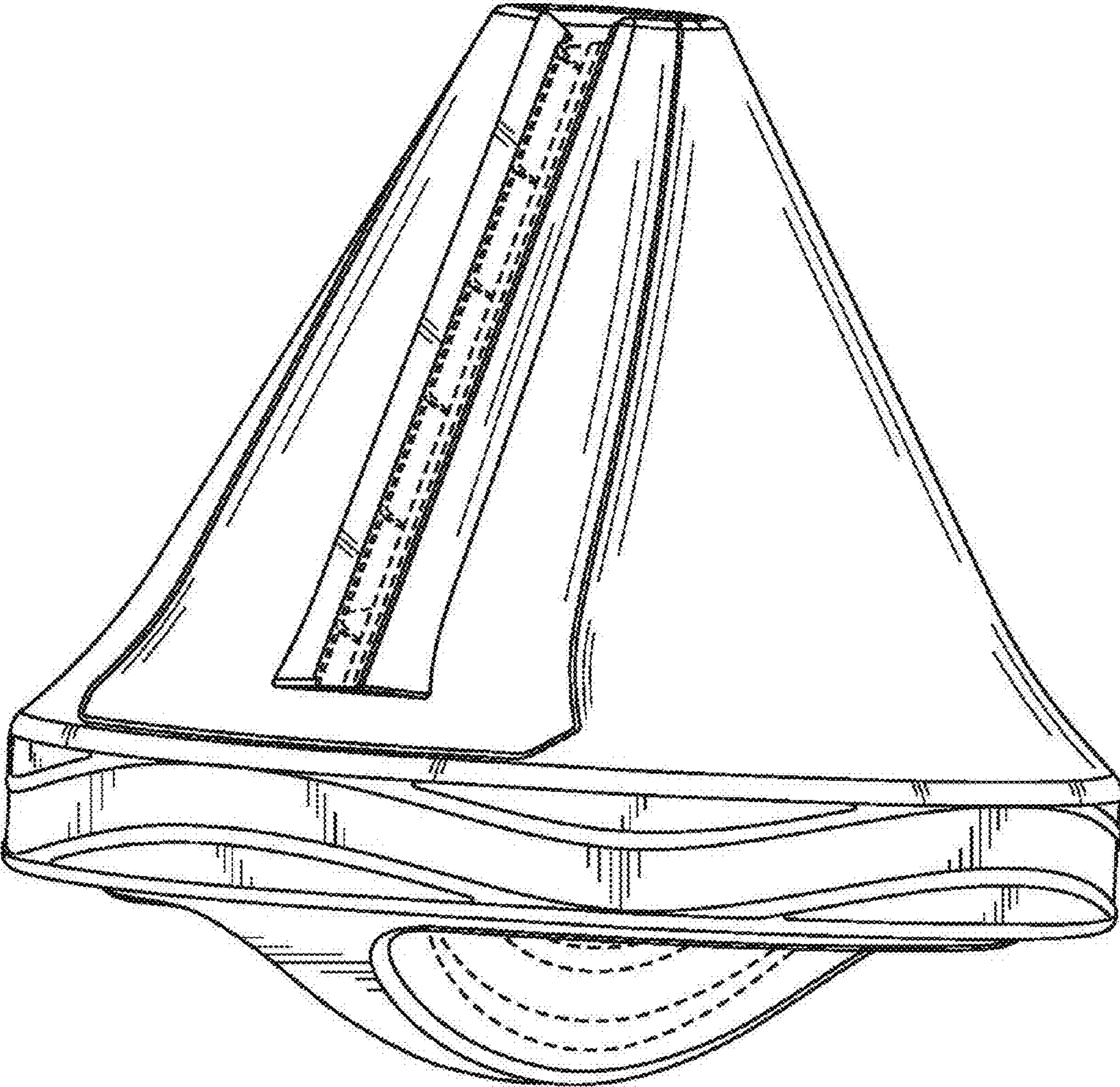


FIG. 1

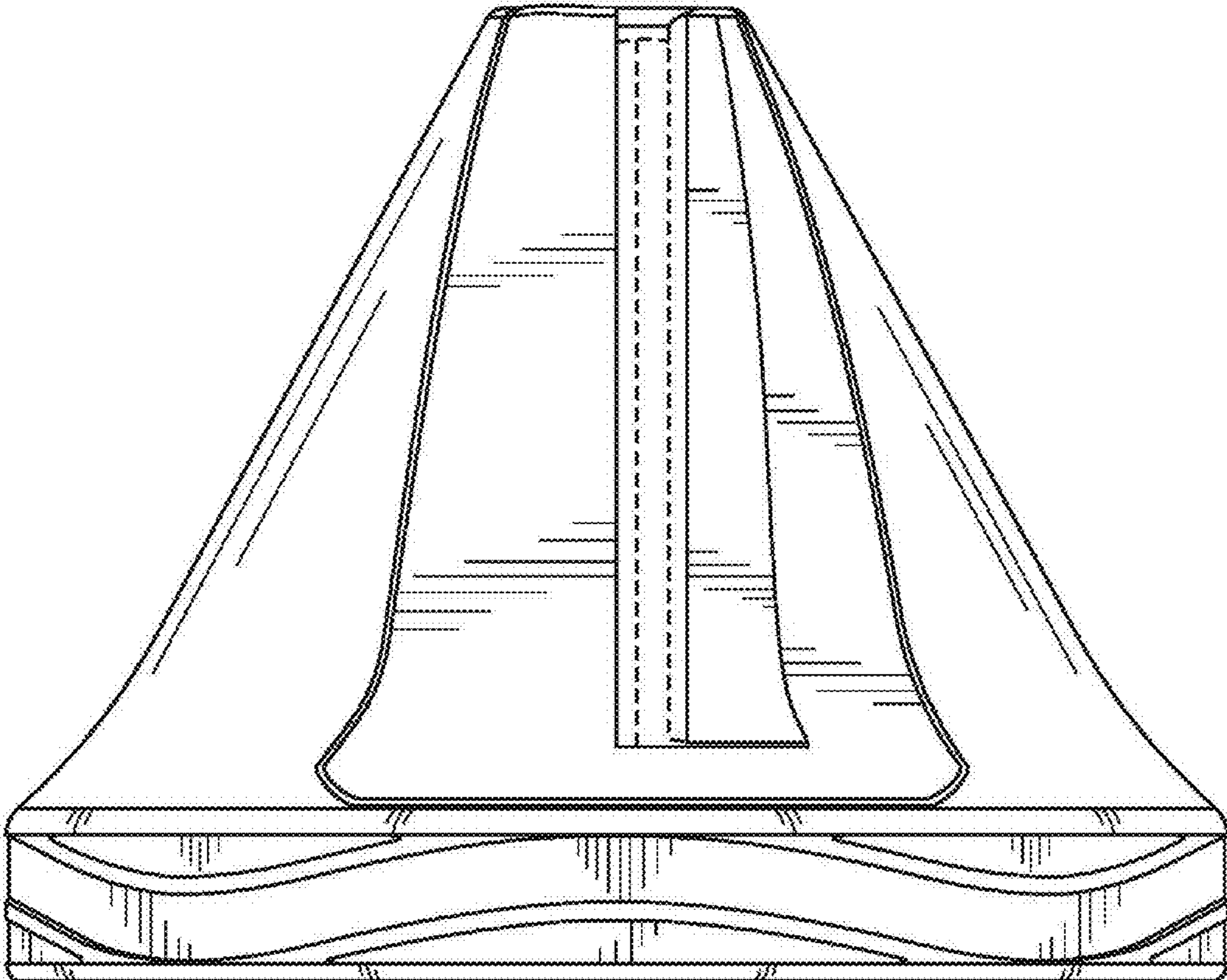


FIG. 2

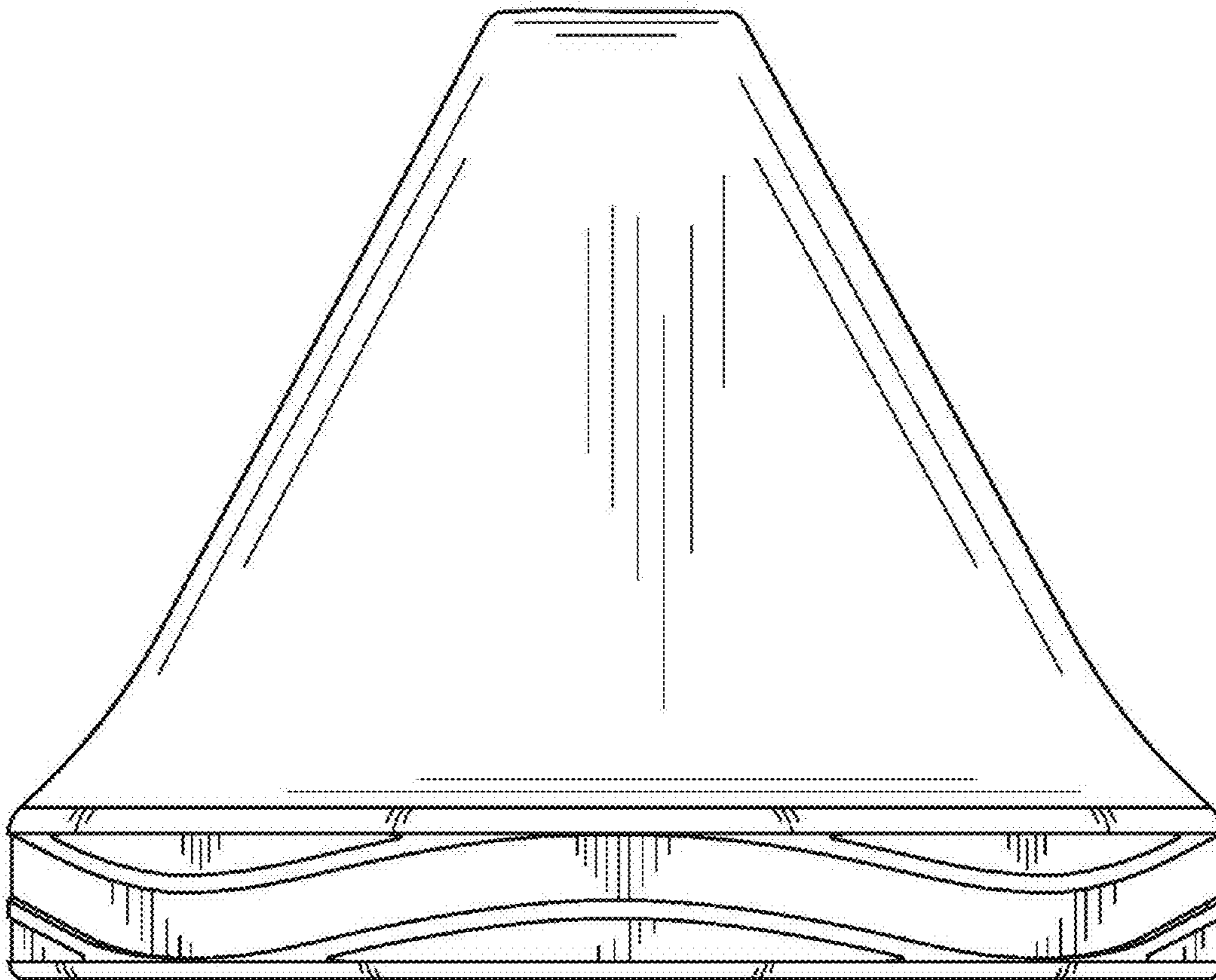


FIG. 3

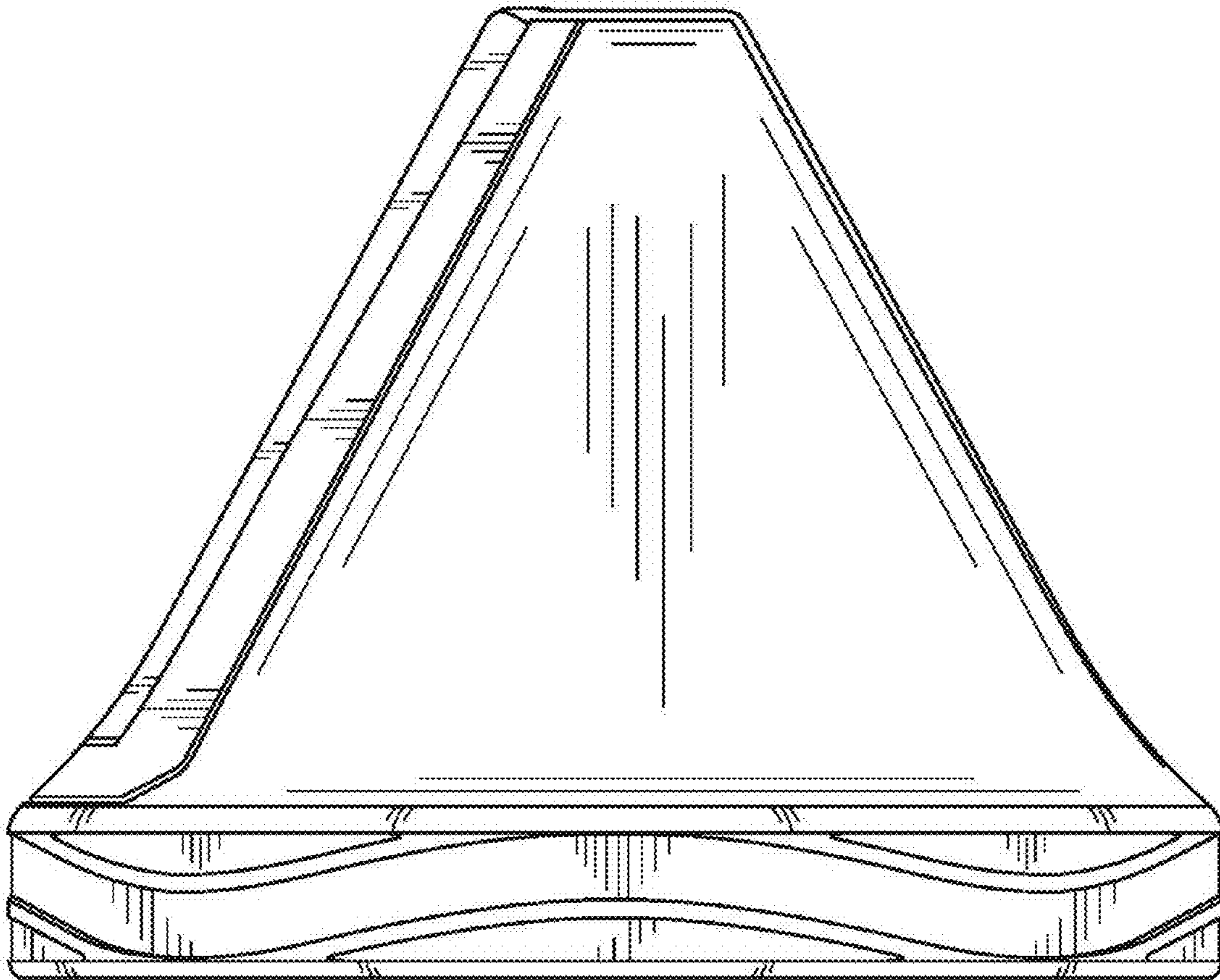


FIG. 4

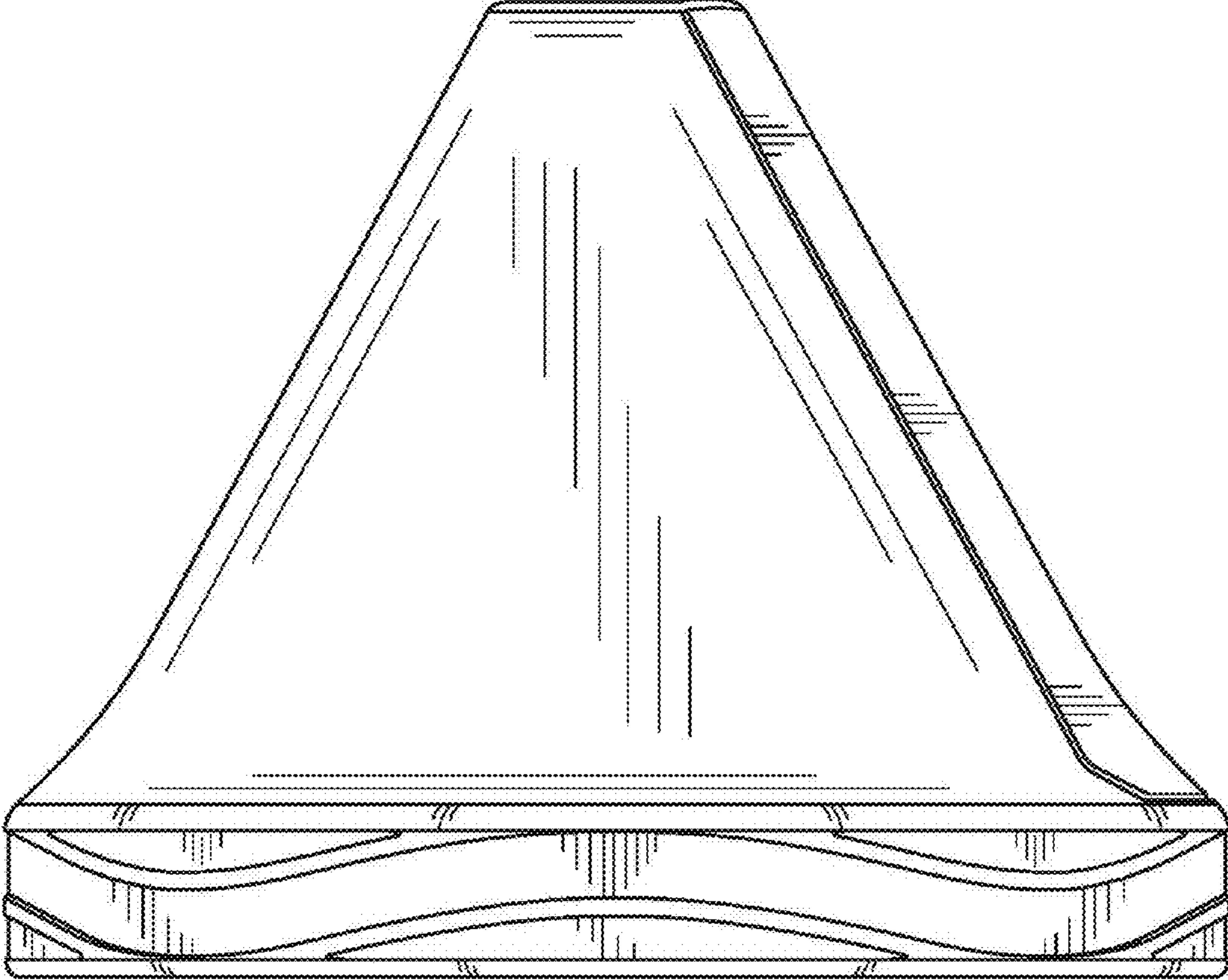


FIG. 5

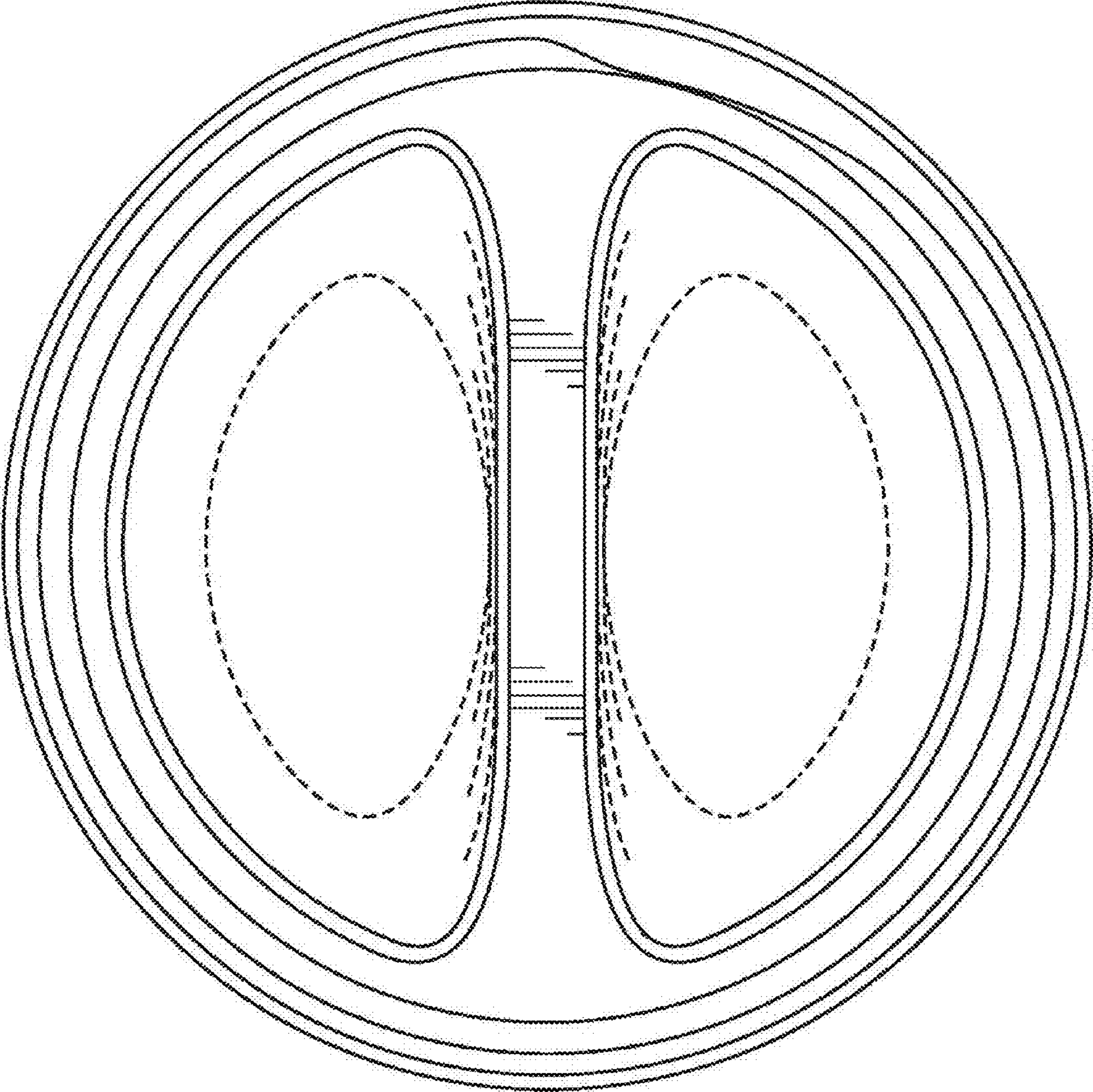


FIG. 6

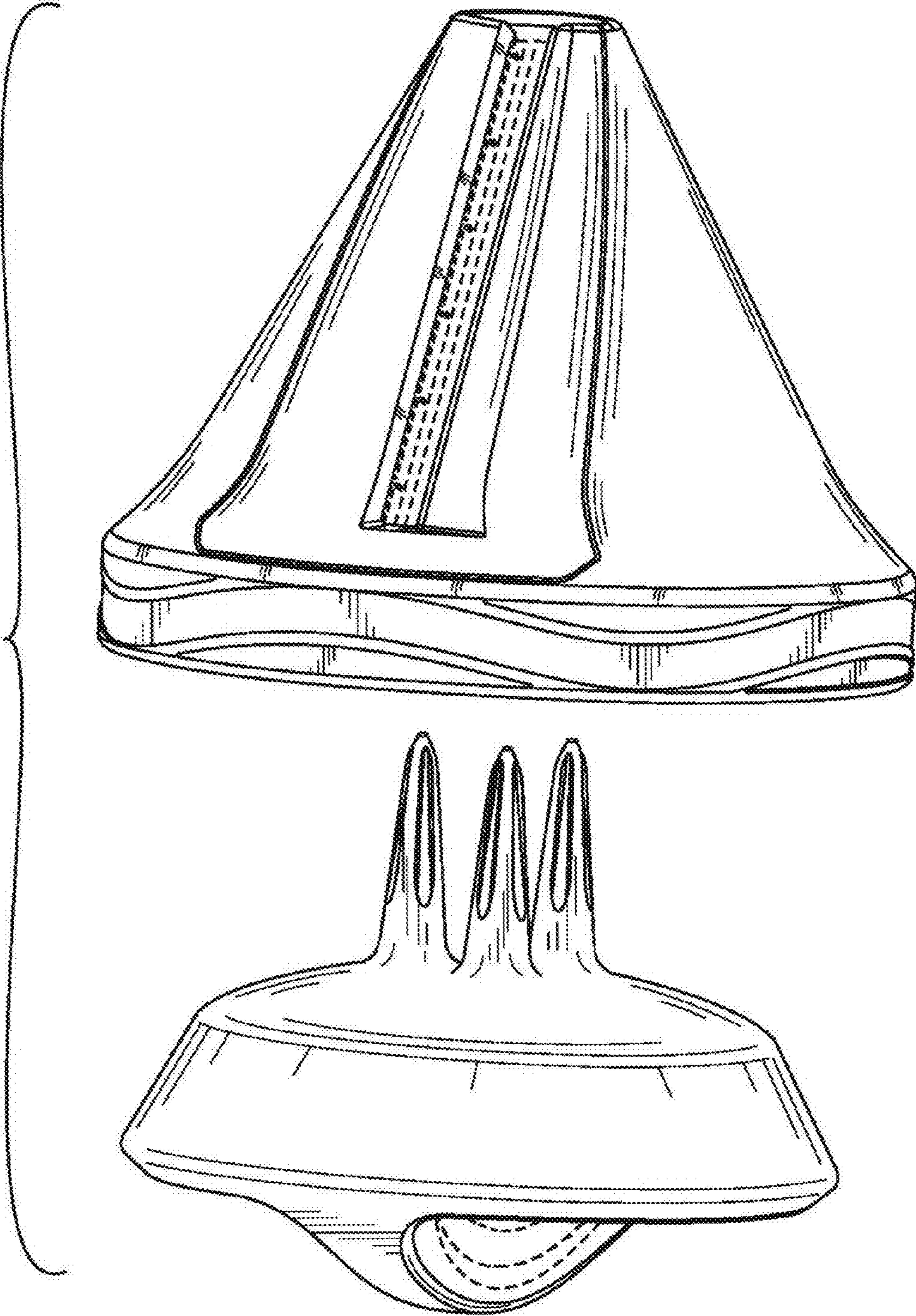


FIG. 7



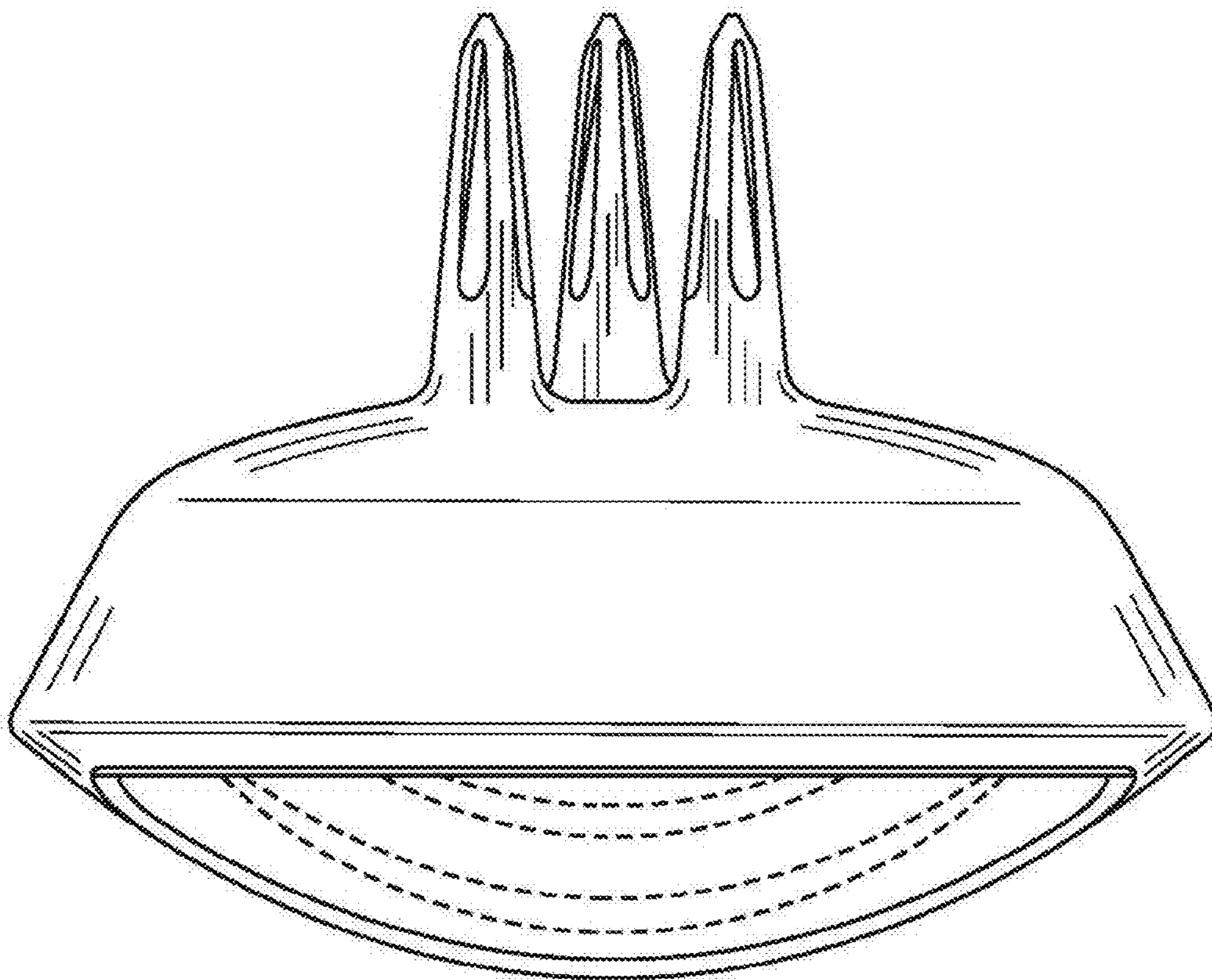


FIG. 8

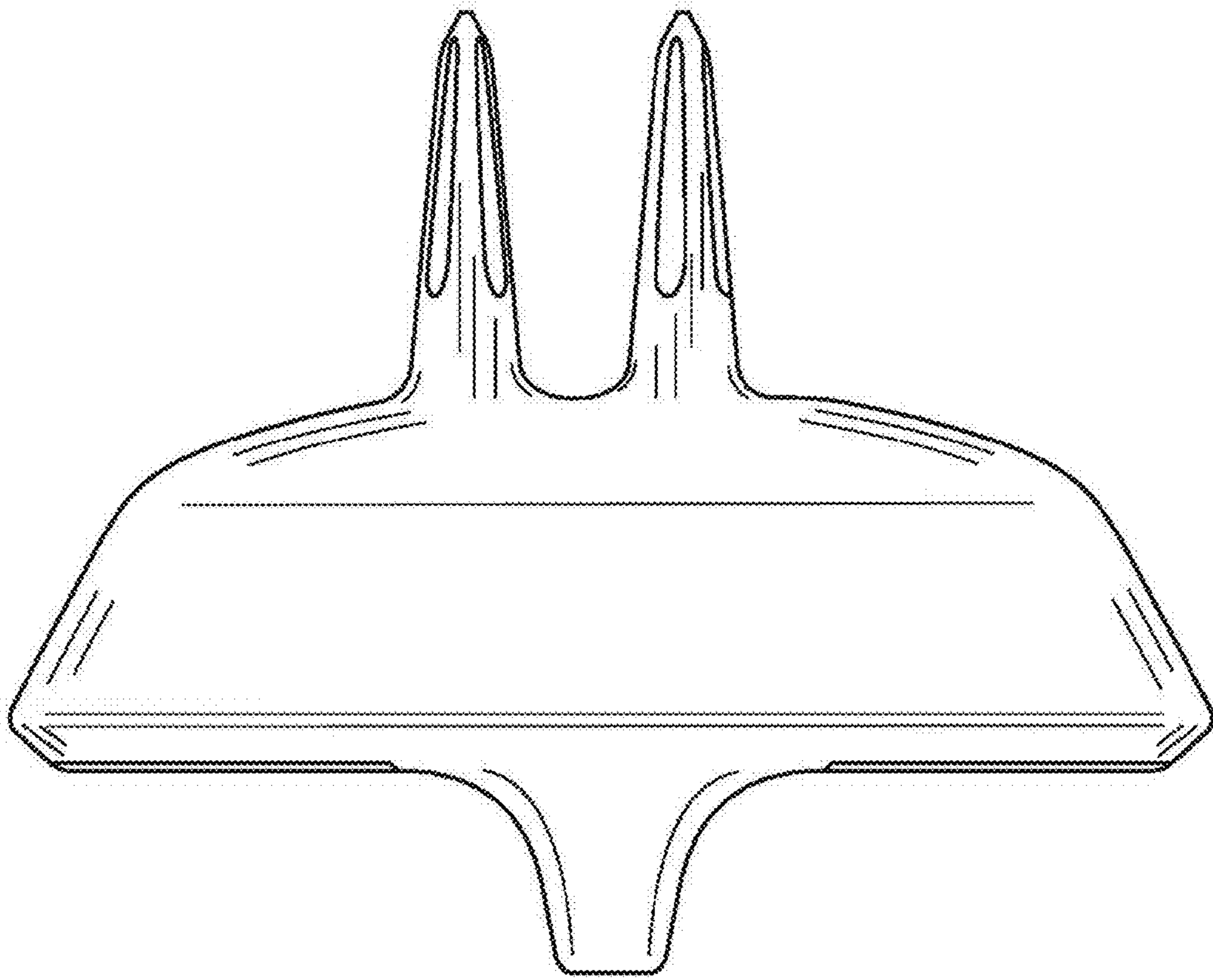


FIG. 9

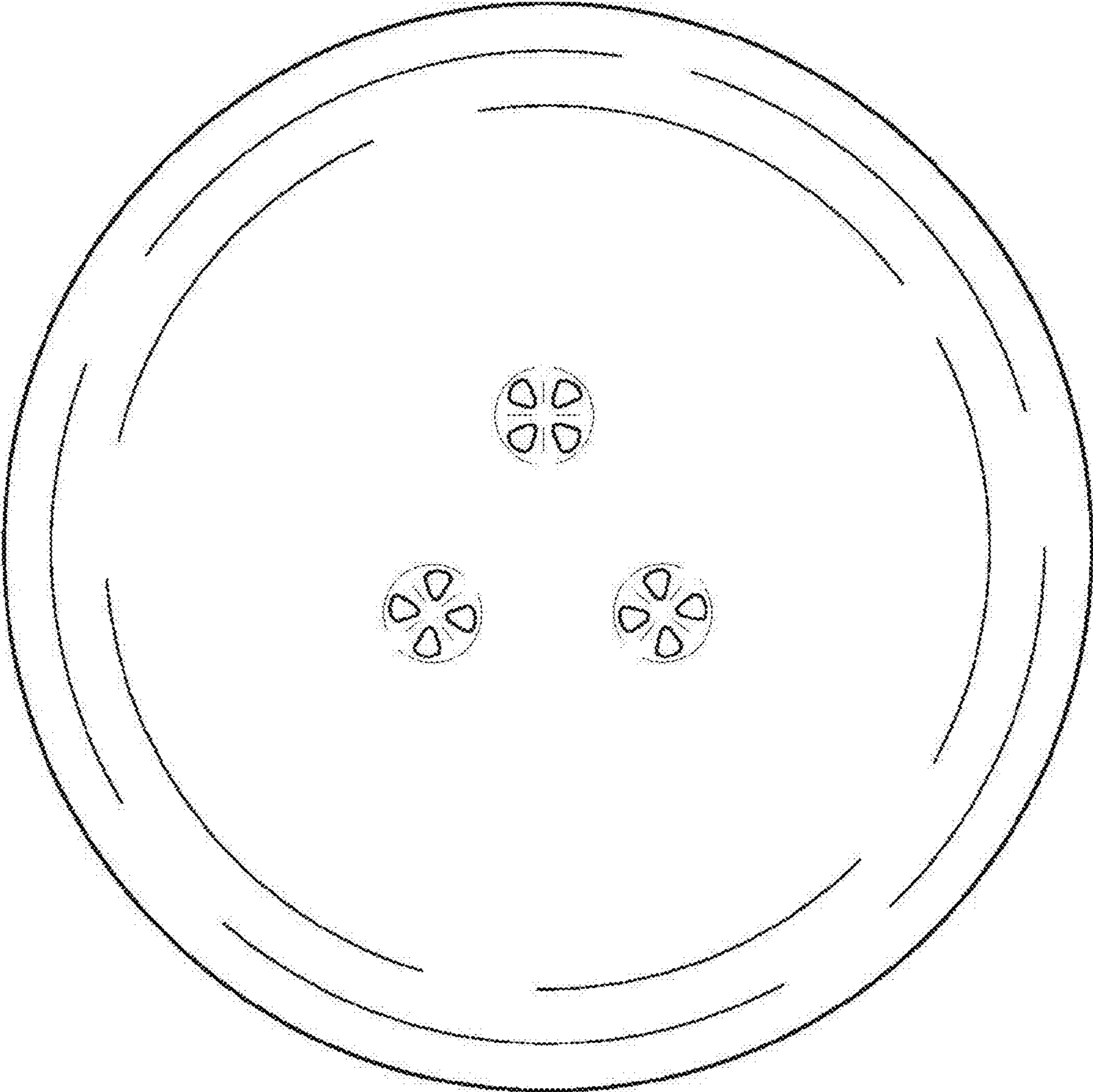


FIG. 10