



US00D777538S

(12) **United States Design Patent** (10) **Patent No.:** **US D777,538 S**
Smith (45) **Date of Patent:** **** Jan. 31, 2017**

(54) **GRINDER ACCESSORY**
(71) Applicant: **Jeff Smith**, Needham, MA (US)
(72) Inventor: **Jeff Smith**, Needham, MA (US)
(**) Term: **14 Years**
(21) Appl. No.: **29/522,261**
(22) Filed: **Mar. 30, 2015**
(51) **LOC (10) Cl.** **07-04**
(52) **U.S. Cl.**
USPC **D7/679; D7/372**
(58) **Field of Classification Search**
USPC D7/679, 372, 373, 401.1, 590–598;
99/484–485, 495, 509–510;
222/142.1–142.9, 480; 241/25, 36, 83, 92,
241/95, 101.2, 199.12, 101.3,
241/273.1–273.4, 282.1, 168, 169
CPC A47J 42/08; A47J 43/25; A61J 7/007;
B02C 19/00; B02C 18/08
See application file for complete search history.

(56) **References Cited**
U.S. PATENT DOCUMENTS
795,746 A * 7/1905 Wingfield et al. A24F 15/18
131/311
4,280,666 A * 7/1981 Jones A47J 42/34
241/100
6,945,486 B2 * 9/2005 Teng A47J 19/06
241/169.1
7,422,170 B2 * 9/2008 Bao B02C 18/24
241/168
8,393,563 B2 * 3/2013 Chaoui B02C 18/08
241/168
2009/0256016 A1 * 10/2009 Lauzet A47J 42/18
241/169.1

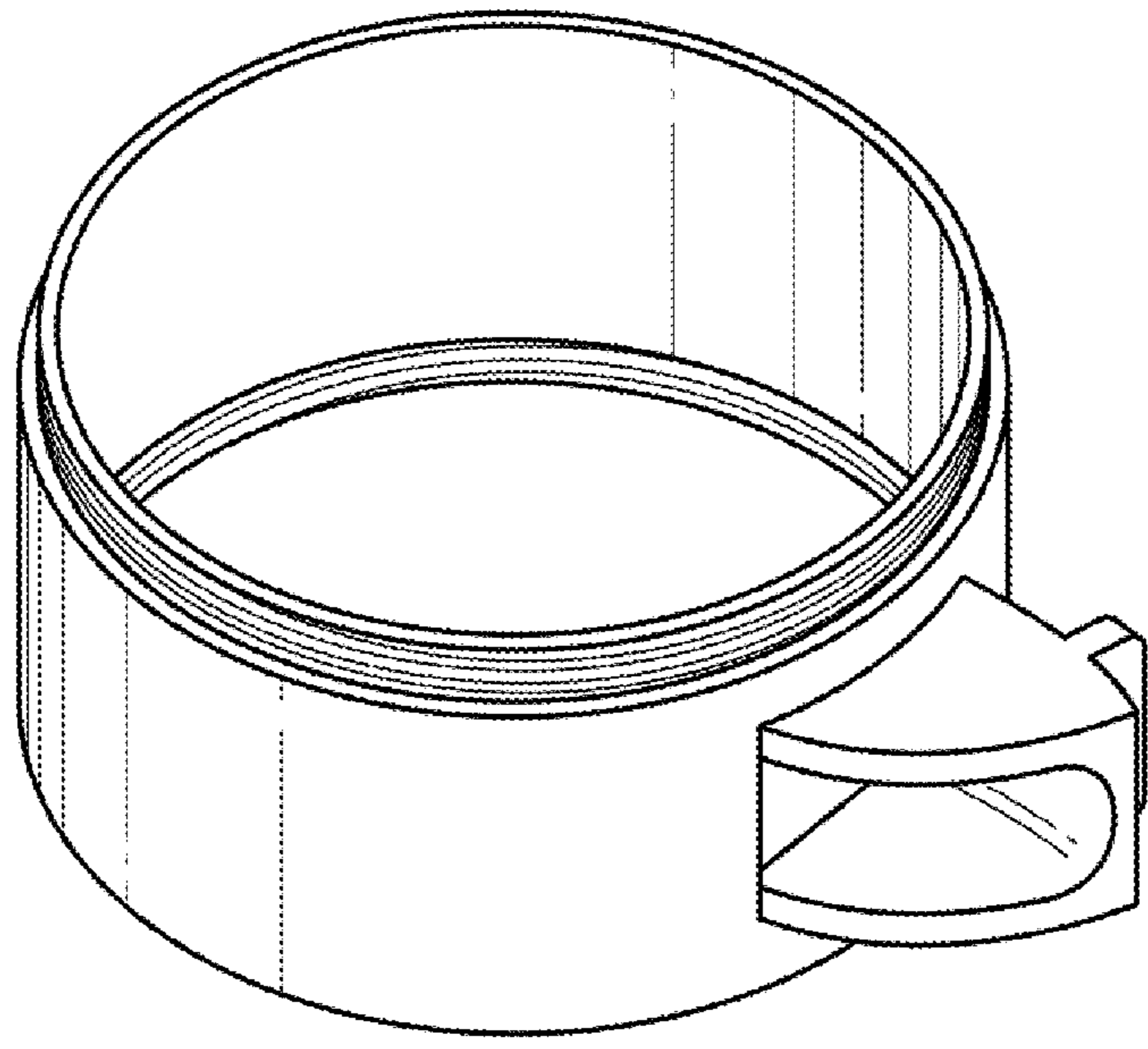
2012/0097774 A1 * 4/2012 Hainbach A47J 42/14
241/101.2
2013/0015278 A1 * 1/2013 Edwards A47J 42/40
241/69
2013/0214068 A1 * 8/2013 Camitta B02C 18/16
241/25
2013/0277473 A1 * 10/2013 Delbridge A47J 42/38
241/169.1

* cited by examiner
Primary Examiner — Terry Wallace
(74) *Attorney, Agent, or Firm* — Gary E. Lambert; David
J. Connaughton, Jr.; Lambert & Associates

(57) **CLAIM**
The ornamental design for a grinder accessory, as shown and
described.

DESCRIPTION
FIG. 1 is a isometric view of the grinder accessory, which
embodies my design;
FIG. 2 is a isometric view of the grinder accessory;
FIG. 3 is a bottom plan view of the grinder accessory;
FIG. 4 is a top plan view of the grinder accessory;
FIG. 5 is a front side view of the grinder accessory;
FIG. 6 is a back side view of the grinder accessory;
FIG. 7 is a left side view of the grinder accessory;
FIG. 8 is a right side view of the grinder accessory; and,
FIG. 9 is an exploded view of the grinder accessory, shown
in use.
The grinder components exploded depicted by broken lines
in FIG. 9 has been shown for the purpose of illustrating an
environmental feature that forms no part of the claimed
design.

1 Claim, 3 Drawing Sheets



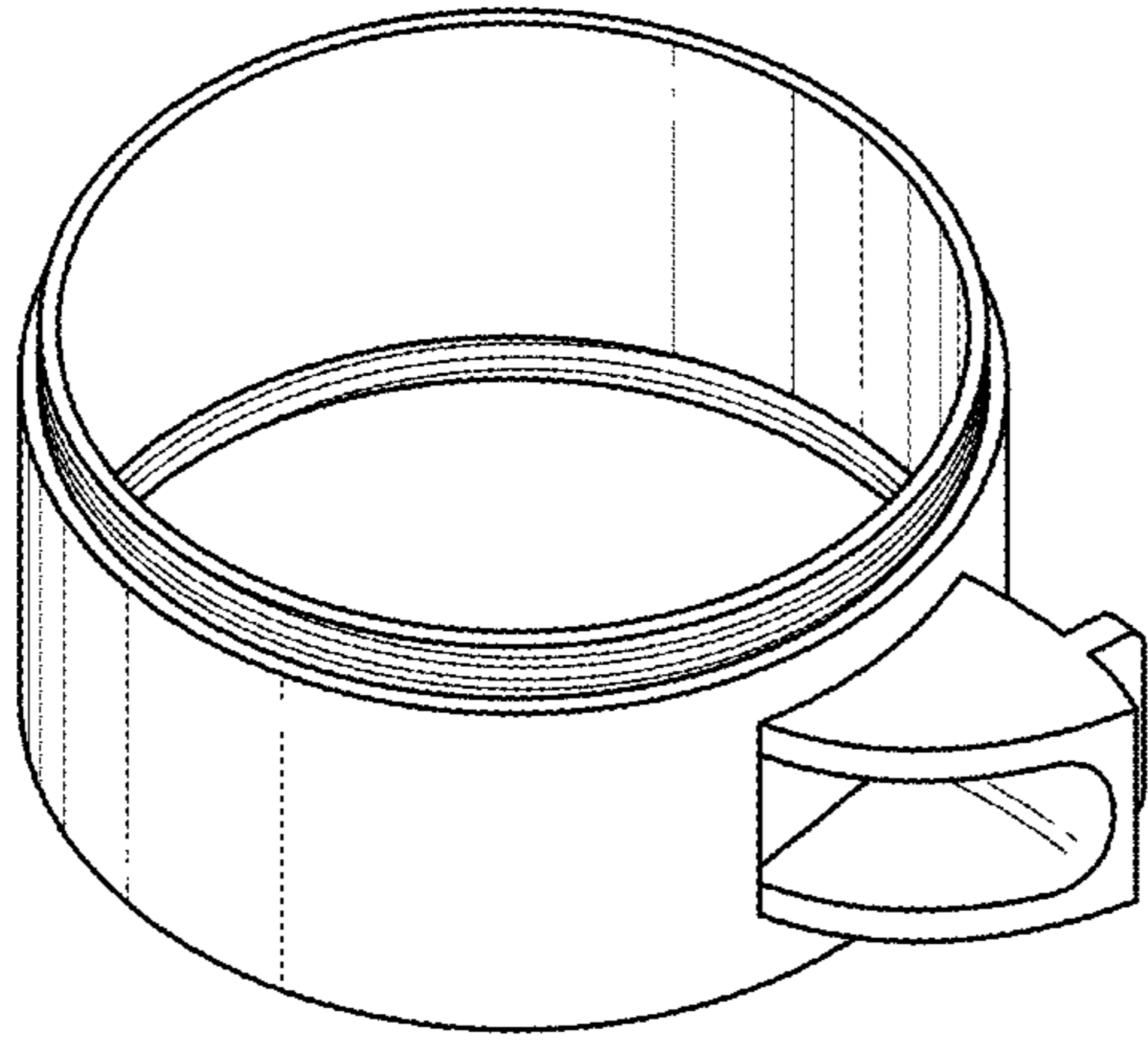


Fig. 1

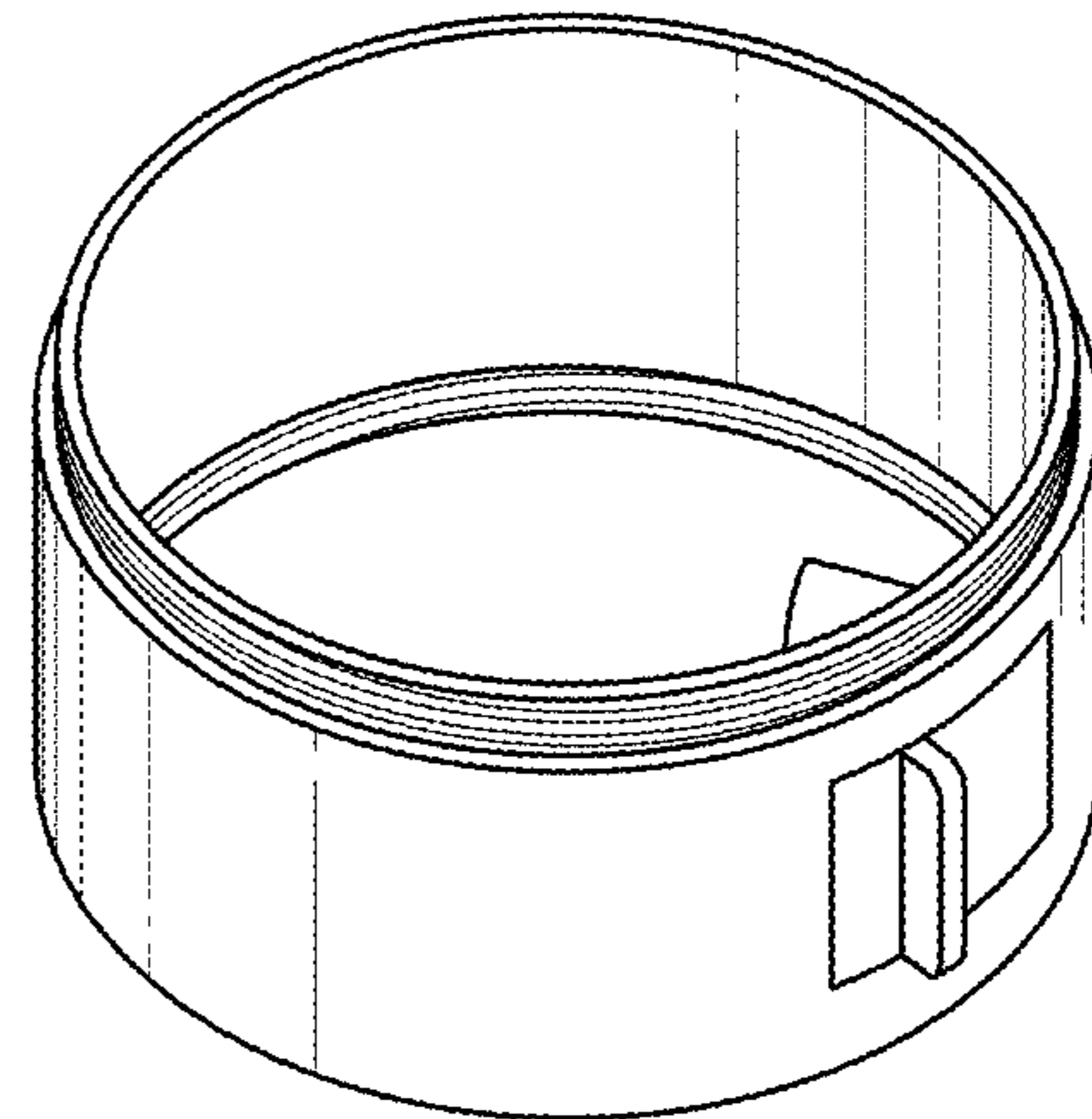


Fig. 2

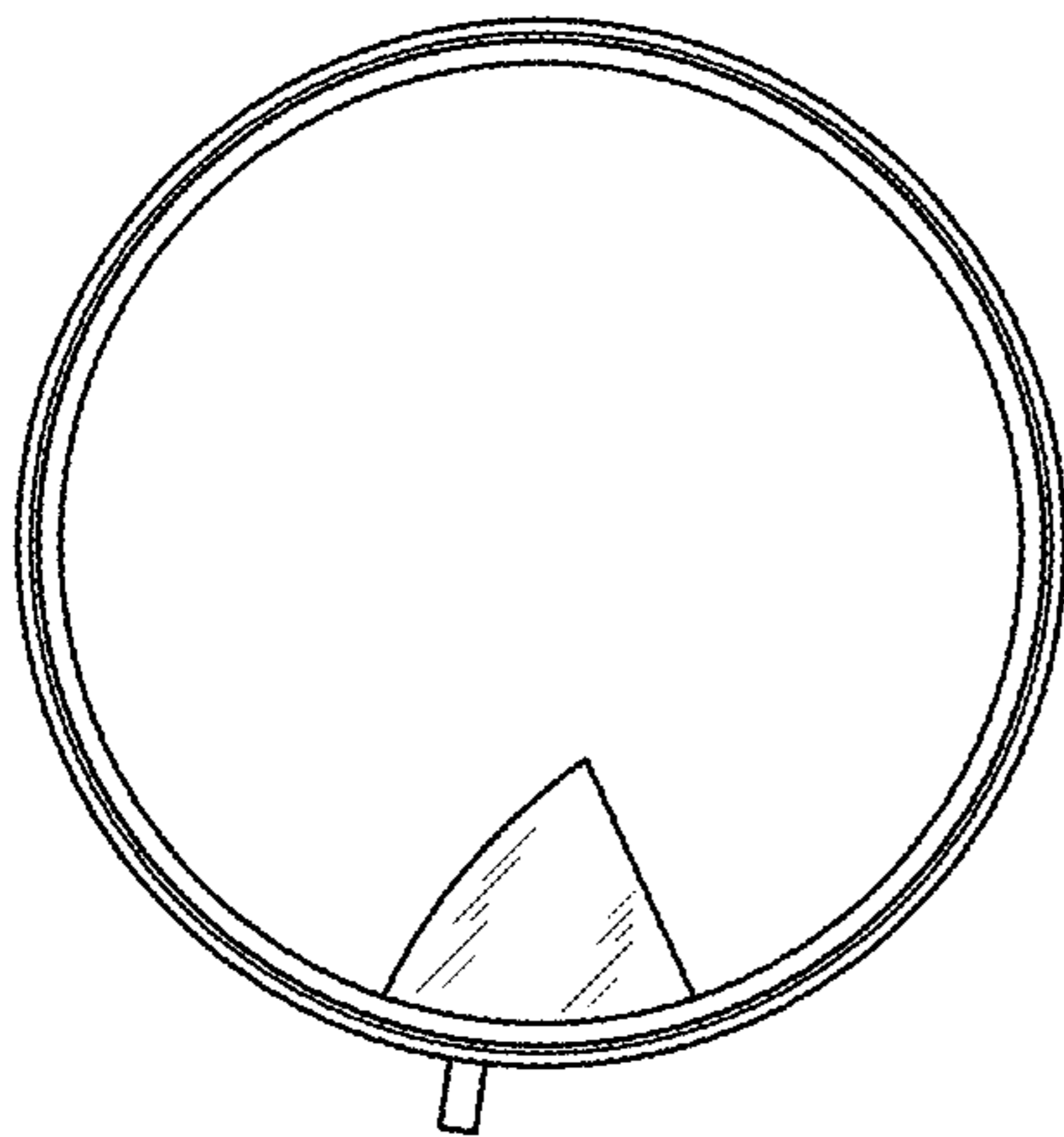


Fig. 3

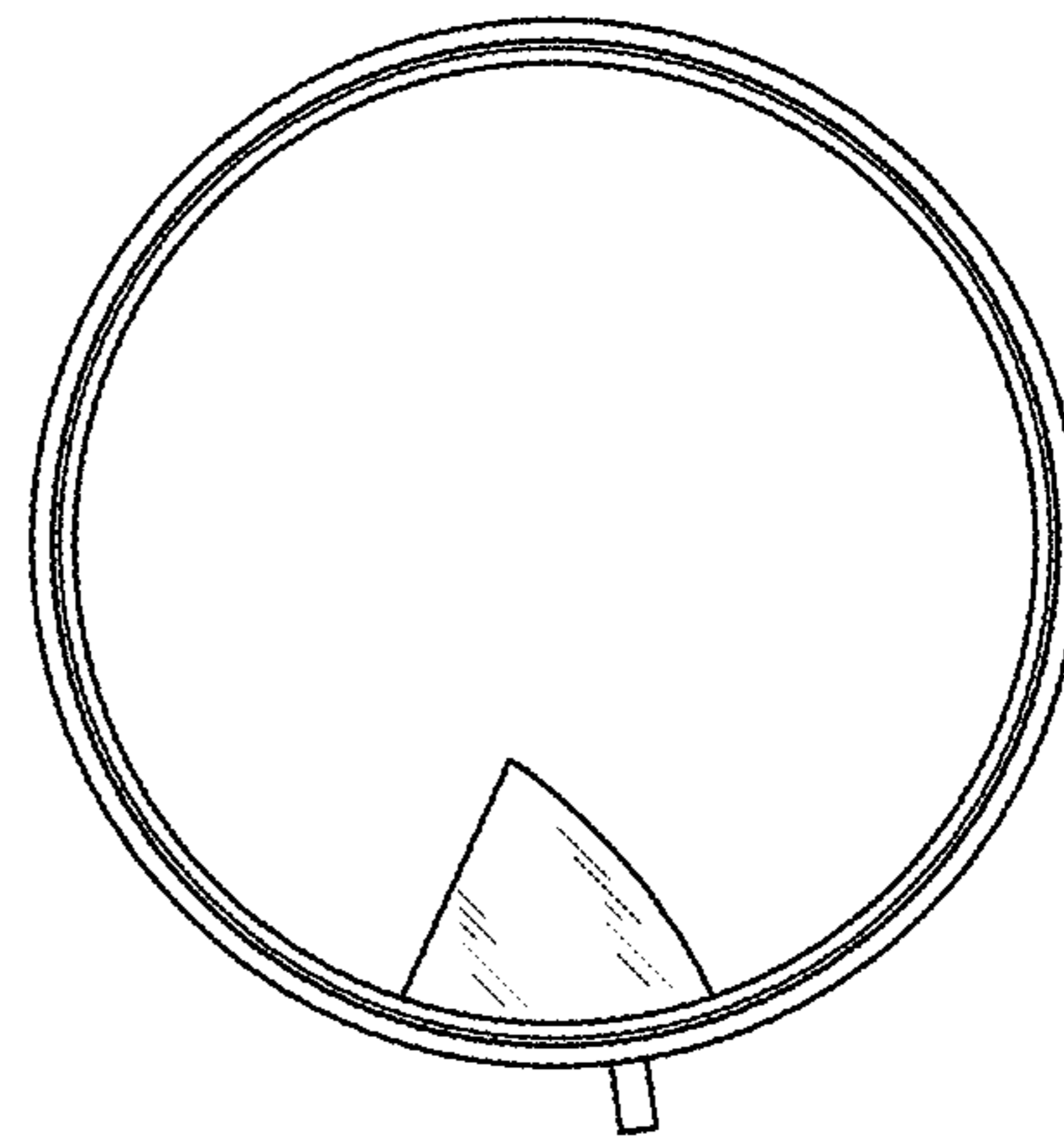


Fig. 4

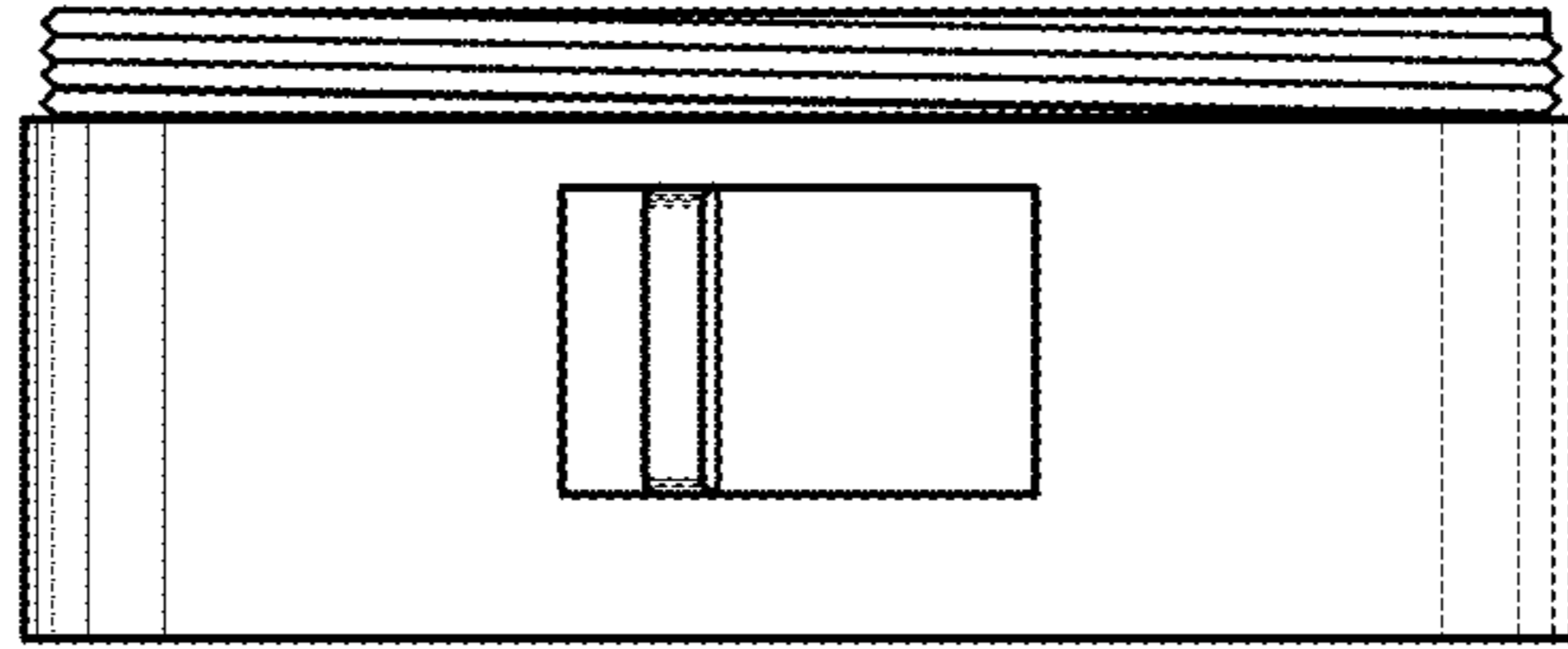


Fig. 5

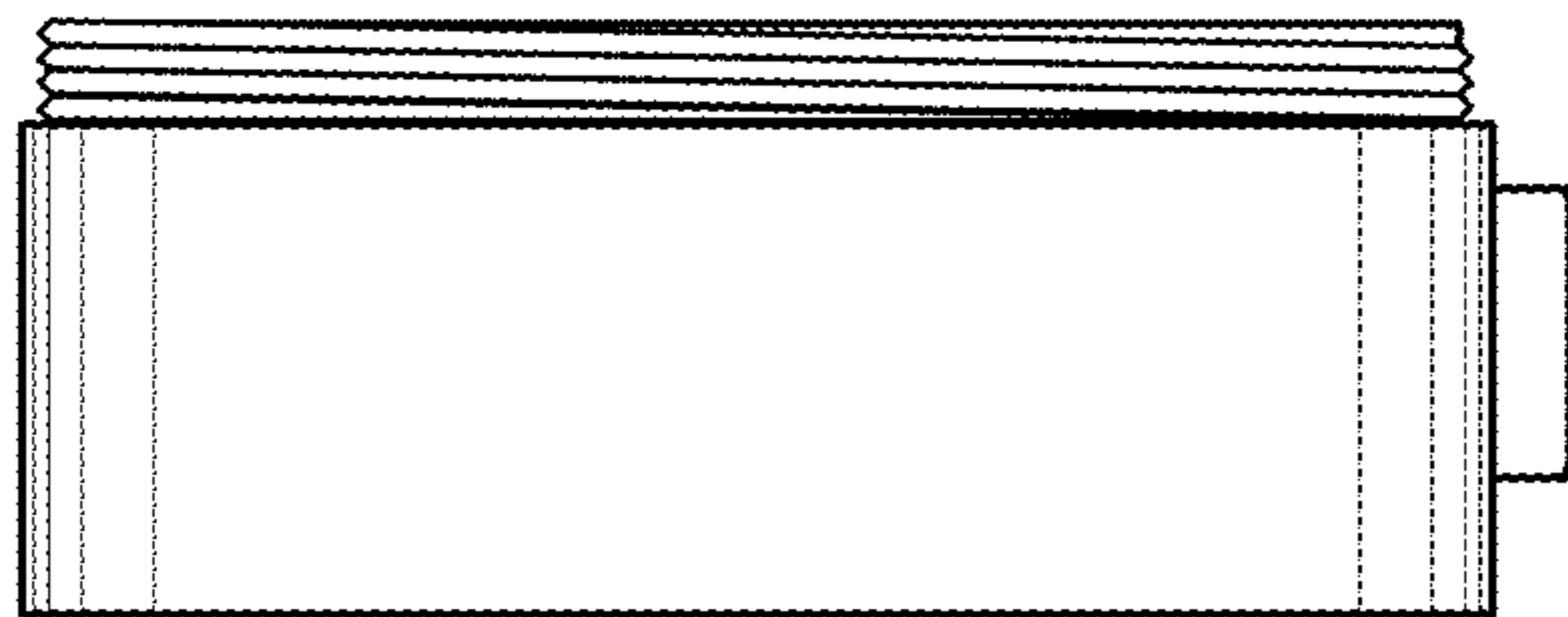


Fig. 6

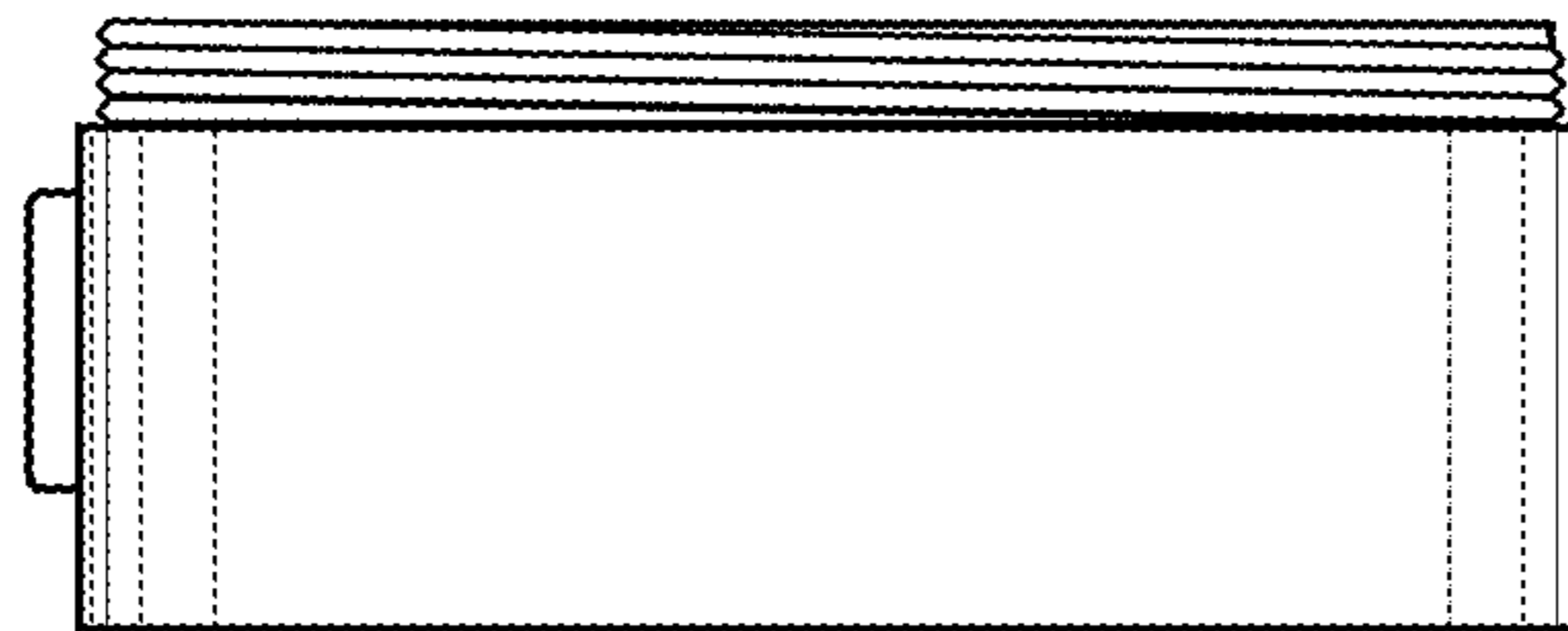


Fig. 7

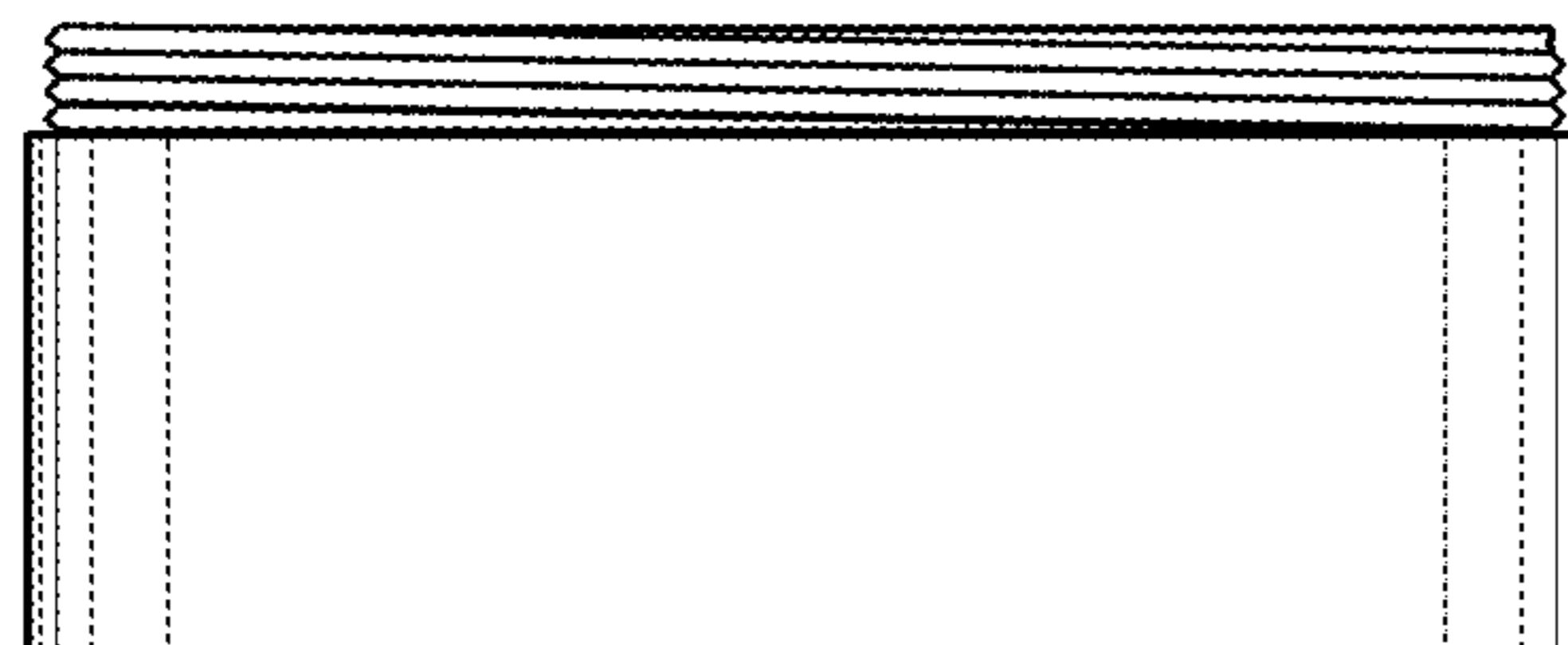


Fig. 8

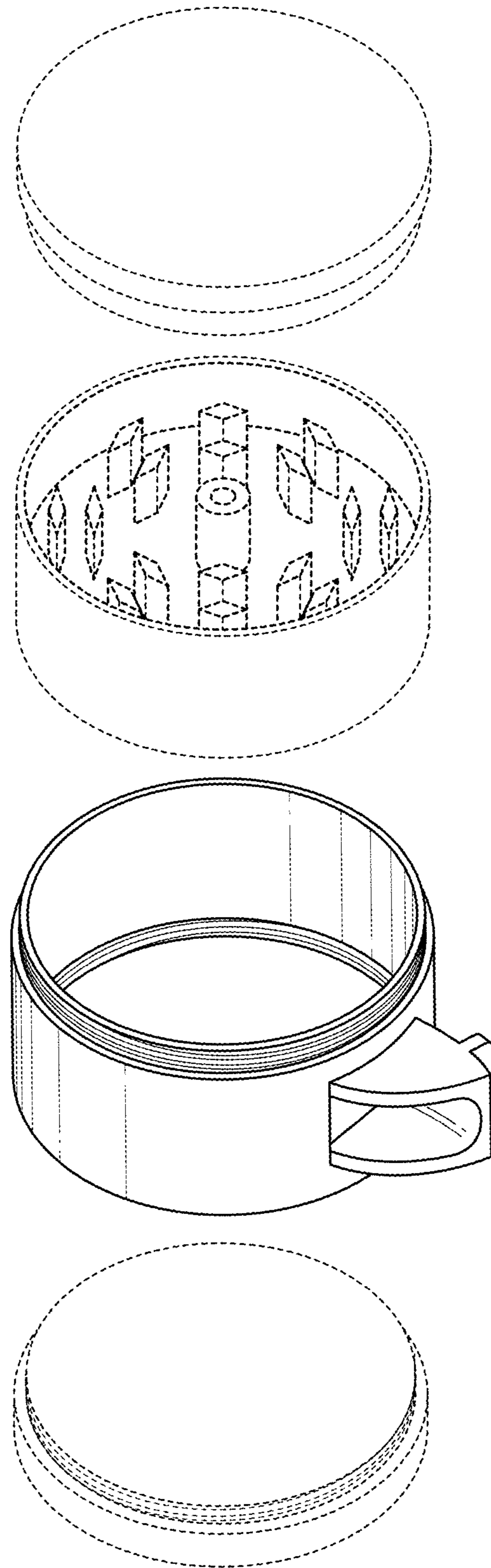


Fig. 9