



US00D777537S

(12) **United States Design Patent**
Repac

(10) **Patent No.:** **US D777,537 S**

(45) **Date of Patent:** **** Jan. 31, 2017**

(54) **FOOD CUTTING DEVICE**

(71) Applicant: **Genius GmbH**, Limburg (DE)

(72) Inventor: **Cedomir Repac**, Brechen (DE)

(73) Assignee: **GENIUS GMBH**, Limburg (DE)

(**) Term: **14 Years**

(21) Appl. No.: **29/524,647**

(22) Filed: **Apr. 22, 2015**

Related U.S. Application Data

(62) Division of application No. 29/402,255, filed on Sep. 22, 2011, now Pat. No. Des. 730,704.

(30) **Foreign Application Priority Data**

Jun. 22, 2011 (DE) 40 2011 006 034

(51) **LOC (10) Cl.** **07-04**

(52) **U.S. Cl.**
USPC **D7/672**

(58) **Field of Classification Search**

USPC D7/669, 693, 412, 381, 395, 665,
D7/672-678, 629, 384, 368, 666, 679,
D7/680, 682, 683, 684, 685, 686, 372;
241/100, 273.1; 83/167, 857, 858, 651.1,
83/435.15, 932; 30/124, 299, 114, 302,
30/174; 99/513, 99/596
CPC B26D 1/00; B26D 1/0006; B26D 1/01;
B26D 1/26; B26D 1/45; B26D
3/185; B26D 1/553; B26D 3/00; B26D
3/18; B26D 3/24; B26D 3/26; B26D
1/03; B26D 1/30; Y10T 83/932; Y10T
83/9423; Y10T 83/6584; Y10T 83/8798;
A01C 1/005; A47J 43/25

See application file for complete search history.

(56) **References Cited**

U.S. PATENT DOCUMENTS

1,512,055 A 10/1924 Rosenthal
1,599,346 A 9/1926 Purkey et al.

1,599,847 A * 9/1926 Slee B26D 3/185
83/425.1

1,867,657 A * 7/1932 Dellinger B26D 3/185
30/303

2,601,087 A 6/1952 Buedingen
2,615,486 A 10/1952 Marcus
2,661,039 A 12/1953 Davis

(Continued)

FOREIGN PATENT DOCUMENTS

DE 8525144 U1 3/1986
DE 212005000048 U1 5/2007

(Continued)

OTHER PUBLICATIONS

U.S. Appl. No. 29/524,872, filed Apr. 24, 2015.

(Continued)

Primary Examiner — Ian Simmons

Assistant Examiner — Shannon Morgan

(74) *Attorney, Agent, or Firm* — Leydig, Voit & Mayer,
Ltd.

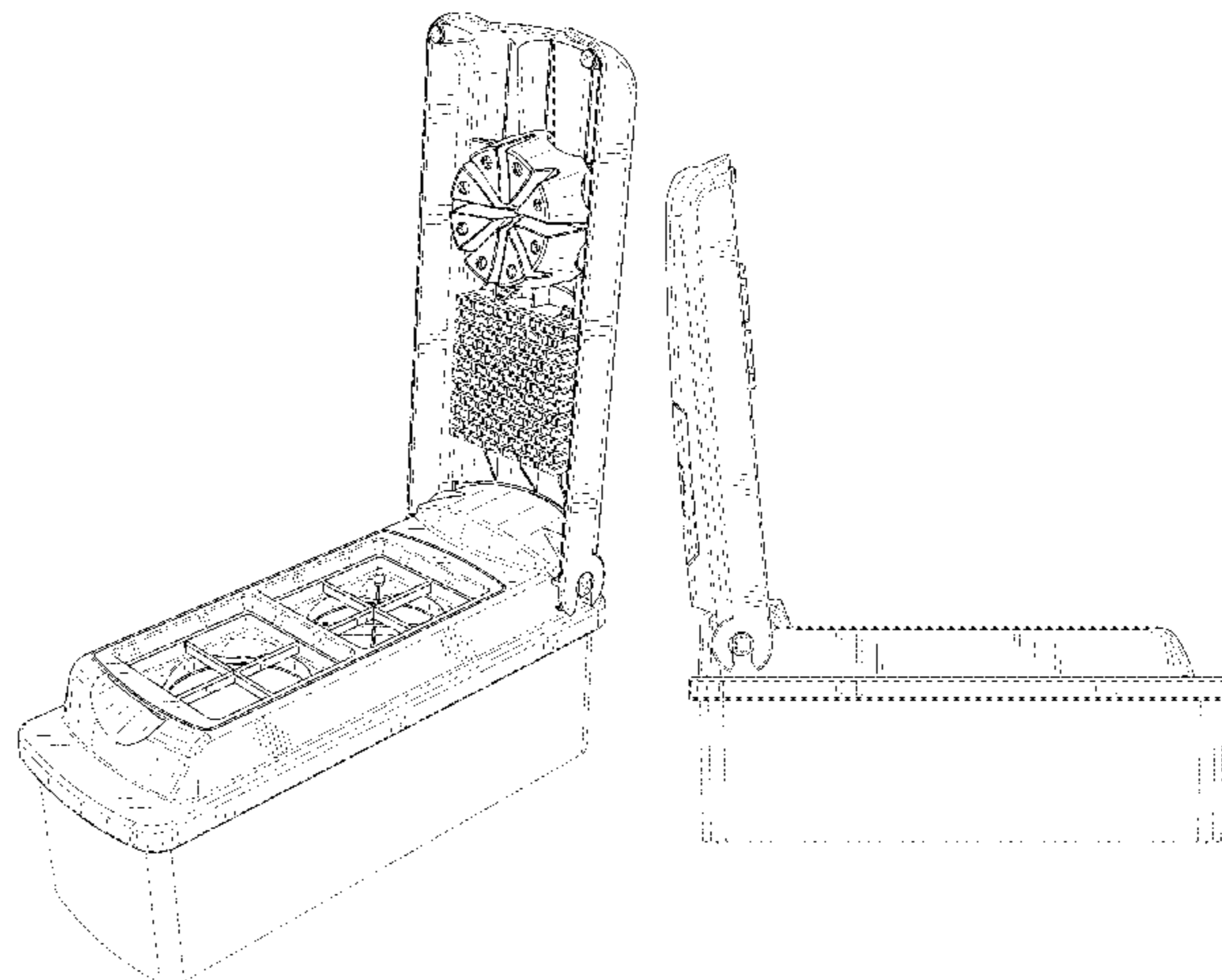
(57) **CLAIM**

The ornamental design for a food cutting device, as shown and described.

DESCRIPTION

FIG. 1 is a top front right perspective view of a food cutting device showing my new design;
FIG. 2 is a right side elevational view thereof;
FIG. 3 is a left side elevational view thereof;
FIG. 4 is a front elevational view thereof;
FIG. 5 is a rear elevational view thereof;
FIG. 6 is a top plan top view thereof; and,
FIG. 7 is a bottom plan view thereof.
The broken lines shown in FIGS. 1-7 represent portions of the food cutting device that form no part of the claimed design.

1 Claim, 5 Drawing Sheets



(56)

References Cited

U.S. PATENT DOCUMENTS

2,714,908 A 8/1955 Carmack
 2,741,286 A 4/1956 Bittle
 D210,861 S 4/1968 Locker
 D224,674 S 8/1972 Ashton
 3,698,460 A 10/1972 Ashton et al.
 D225,286 S 11/1972 Ashton
 3,825,049 A 7/1974 Swett et al.
 4,082,230 A 4/1978 Bounds
 4,212,431 A 7/1980 Doyel
 4,733,589 A 3/1988 Wolff
 D303,476 S 9/1989 Wolff et al.
 D304,284 S 10/1989 Wolff et al.
 D320,717 S 10/1991 O'Brien
 5,083,734 A 1/1992 Ancona et al.
 D330,316 S 10/1992 So
 D331,687 S 12/1992 Pujol Gilbert
 D343,098 S 1/1994 Shun
 5,303,472 A * 4/1994 Mbanugo B26B 27/00
 241/95
 D354,886 S 1/1995 Diefenbach
 D368,622 S 4/1996 Izumi
 5,692,424 A 12/1997 Wallace
 5,711,491 A 1/1998 Molo
 5,765,472 A 6/1998 Kim
 D399,711 S 10/1998 Cohen et al.
 D408,693 S 4/1999 Wong
 5,947,016 A 9/1999 Repac et al.
 D416,767 S 11/1999 Repac et al.
 D420,547 S 2/2000 Lallemand
 D426,743 S 6/2000 Wong
 6,129,234 A 10/2000 Culig et al.
 D433,594 S 11/2000 Wong
 D433,871 S 11/2000 Wong
 6,209,439 B1 4/2001 Repac et al.
 6,401,605 B1 6/2002 Repac et al.
 6,558,244 B1 5/2003 Nedelka
 D485,328 S 1/2004 Jastrzembski
 D494,025 S * 8/2004 Wong D7/678
 D494,026 S 8/2004 Brousseau et al.
 D498,650 S 11/2004 Boilen
 D499,615 S 12/2004 Nordgren
 D507,159 S 7/2005 Lee
 D512,609 S 12/2005 Kaposi
 D519,001 S 4/2006 So
 D528,377 S 9/2006 Pippel et al.
 D533,411 S 12/2006 Webb et al.
 7,150,214 B2 12/2006 Repac et al.
 7,191,691 B2 3/2007 Kaposi
 D543,422 S 5/2007 Kaposi
 D545,642 S 7/2007 Wong
 D546,638 S * 7/2007 Kaposi D7/672
 D548,022 S * 8/2007 Kaposi D7/673
 D548,025 S * 8/2007 Kaposi D7/672
 D548,547 S 8/2007 Kaposi
 D574,186 S 8/2008 Kuan
 D576,454 S 9/2008 Repac
 D578,836 S 10/2008 Hood
 D578,838 S 10/2008 Hood
 D579,737 S 11/2008 Sawhey et al.

7,444,909 B2 11/2008 Repac et al.
 7,469,848 B2 12/2008 Yamanaka et al.
 D589,309 S 3/2009 Olivari
 D591,115 S 4/2009 Repac
 7,543,768 B2 6/2009 Cohen et al.
 D603,663 S 11/2009 Bodum
 D618,517 S 6/2010 Wong
 7,762,169 B2 7/2010 Kaposi
 D625,568 S 10/2010 Wong
 D632,139 S 2/2011 Repac
 D635,410 S 4/2011 Repac
 7,992,476 B2 8/2011 Kaposi
 D708,917 S * 7/2014 Wong D7/672
 D729,595 S * 5/2015 Hauser D7/693
 D729,596 S * 5/2015 Hauser D7/693
 D730,704 S * 6/2015 Repac D7/672
 9,174,352 B2 * 11/2015 Repac B26D 3/185
 2004/0055437 A1 3/2004 Engdahl
 2004/0217219 A1 11/2004 Bitonto et al.
 2005/0178262 A1 8/2005 Repac et al.
 2006/0090352 A1 5/2006 Kaposi
 2006/0101973 A1 5/2006 Repac et al.
 2006/0218799 A1 * 10/2006 Kaposi B26B 5/008
 30/302
 2007/0089577 A1 4/2007 Wong
 2007/0125210 A1 6/2007 Kaposi
 2009/0019705 A1 1/2009 Aby-Eva et al.
 2009/0044708 A1 2/2009 Repac et al.
 2009/0078100 A1 3/2009 Repac
 2009/0277343 A1 * 11/2009 Ghimire B26D 3/20
 99/537
 2010/0031830 A1 2/2010 Engdahl et al.
 2010/0037471 A1 2/2010 Repac
 2010/0095821 A1 * 4/2010 Cheung B26D 3/185
 83/435.19
 2010/0175569 A1 7/2010 Aby-Eva et al.
 2010/0252669 A1 10/2010 Romano
 2012/0055303 A1 * 3/2012 Repac B26D 3/185
 83/167
 2014/0047965 A1 * 2/2014 Neare-
 Vaarmann B26D 3/185
 83/404.3

FOREIGN PATENT DOCUMENTS

EM 2079883 3/1999
 EM 2096483 11/2000
 FR 747115 A 12/1933
 WO WO 2005090029 A1 9/2005
 WO WO 2006049639 A1 5/2006

OTHER PUBLICATIONS

U.S. Appl. No. 29/525,071, filed Apr. 27, 2015.
 U.S. Appl. No. 29/402,255, filed Sep. 22, 2011.
 Williams-Sonoma, Vegetable Chop & Measure, http://www.williams-sonoma.com/products/vegetable-chop-and-measure/?pkey=cmandolines-slicers|choppers|&cm_src=mandolines-slicers, Jan. 27, 2011.

* cited by examiner

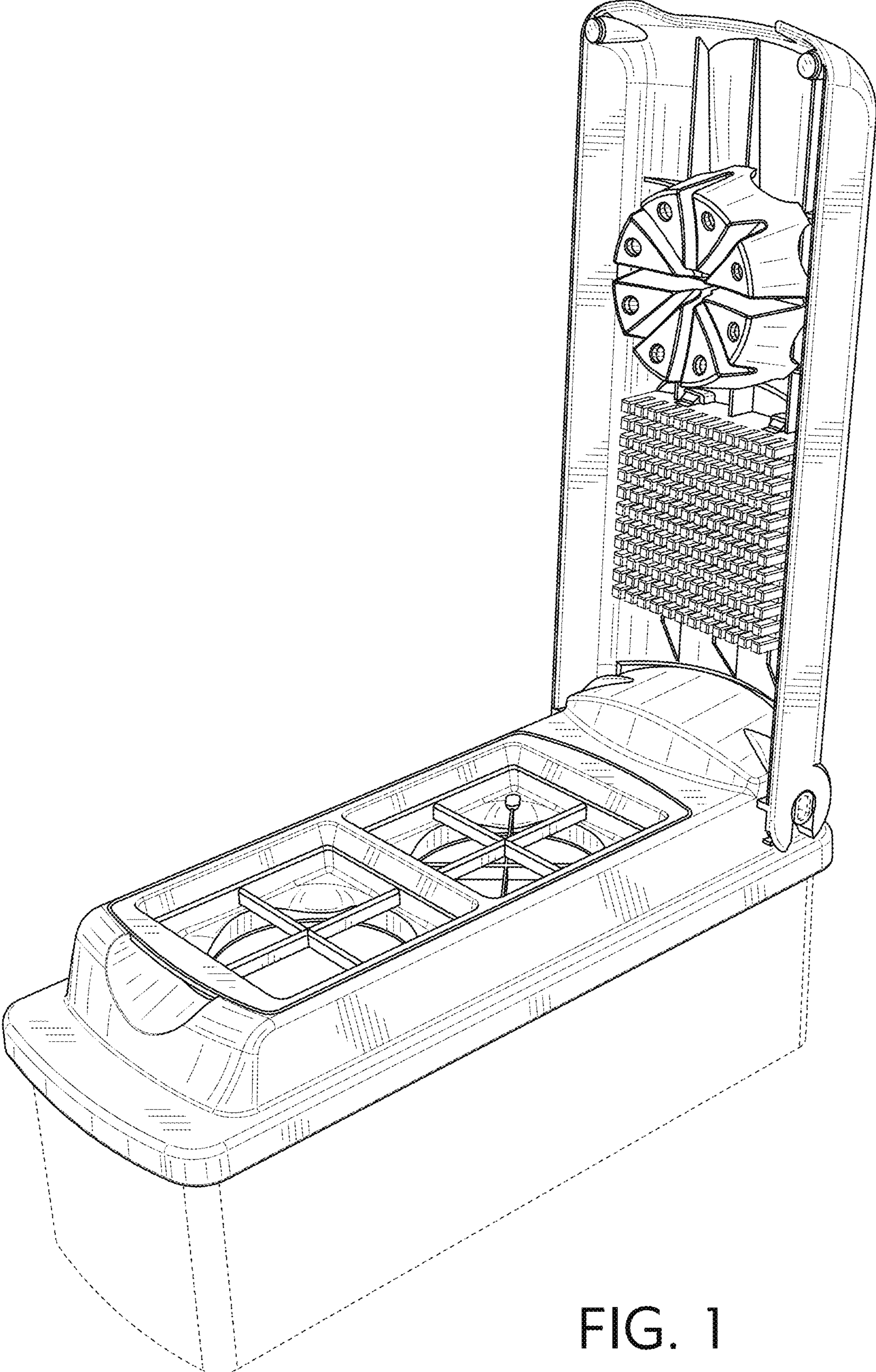


FIG. 1

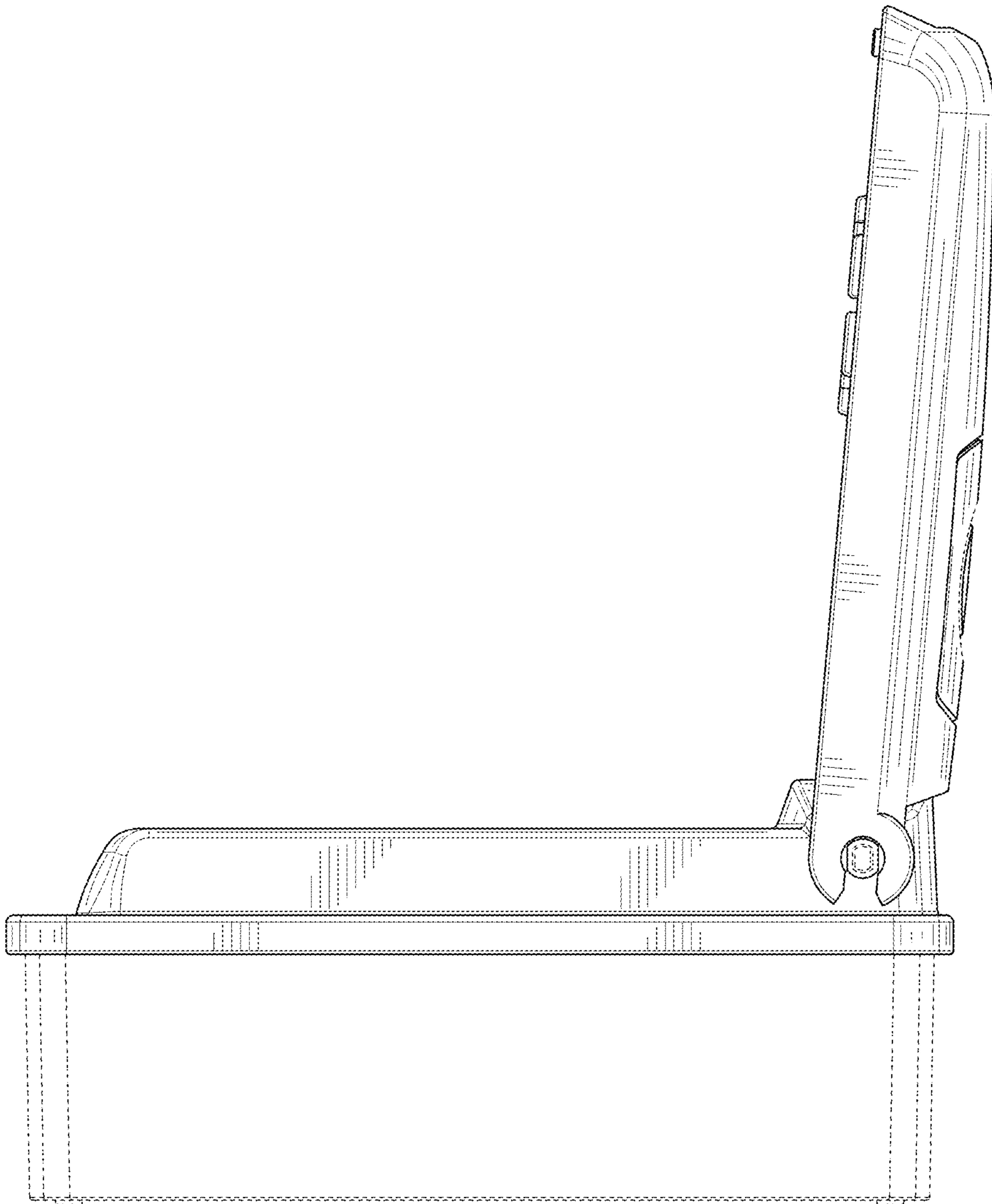


FIG. 2

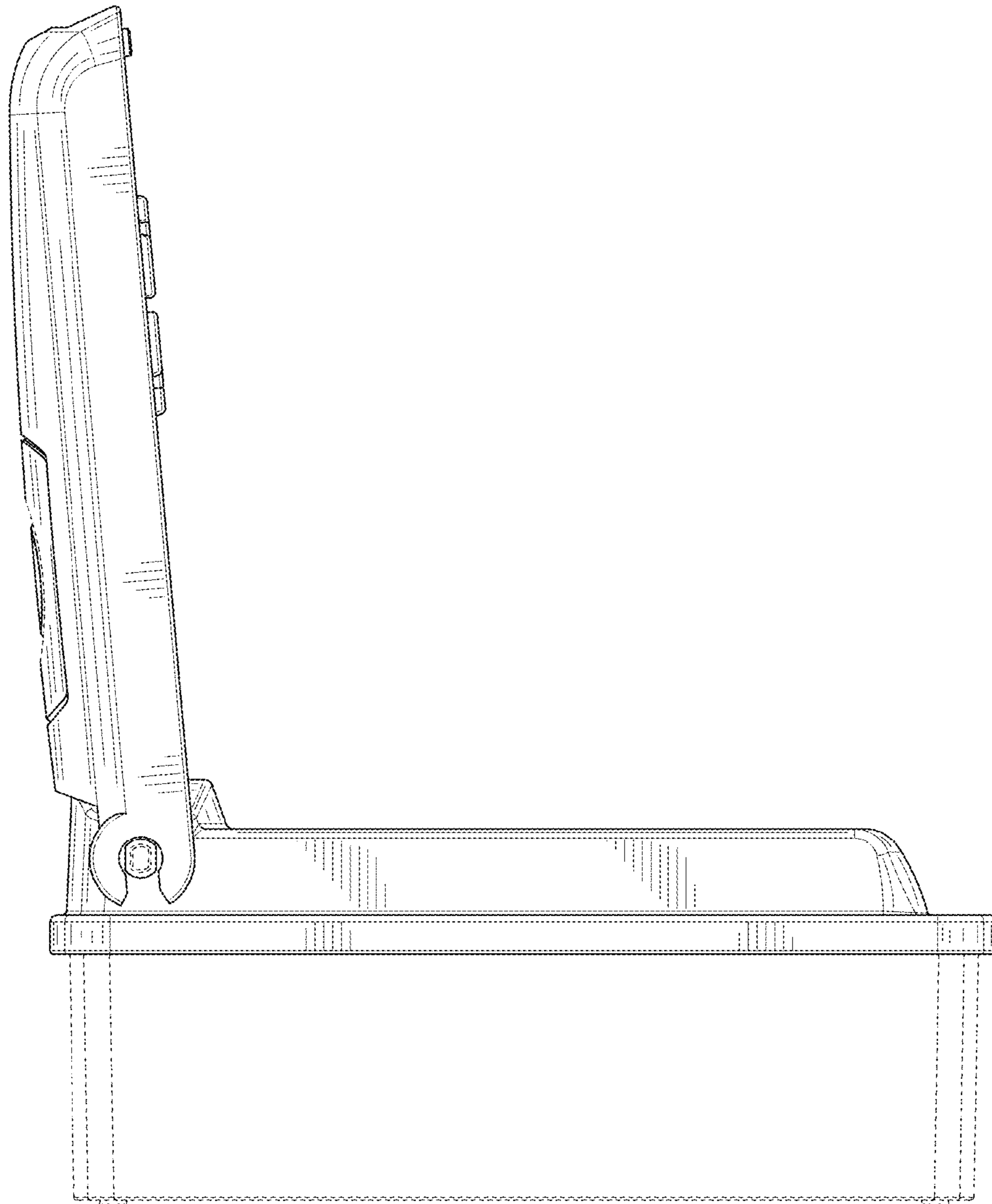


FIG. 3

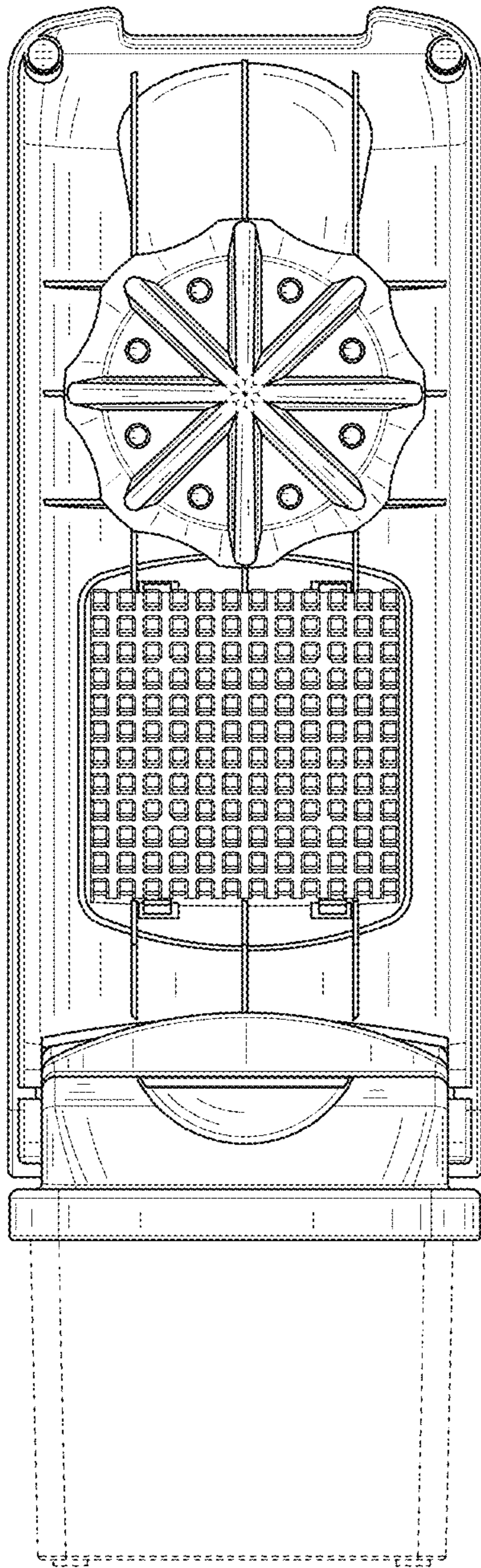


FIG. 4

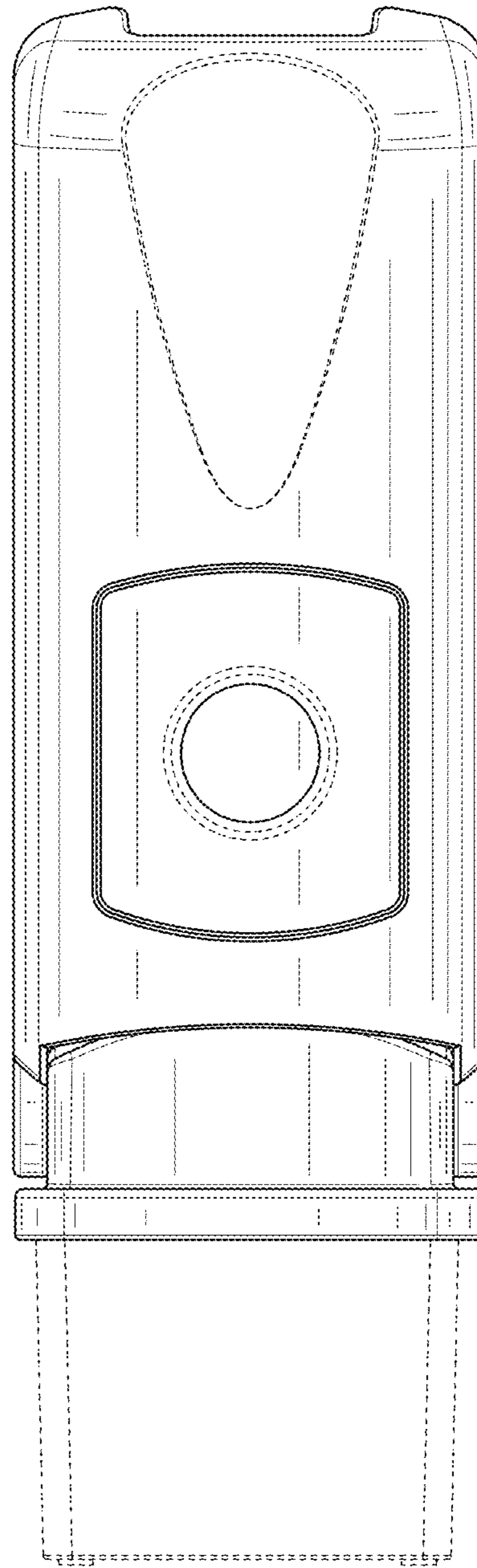


FIG. 5

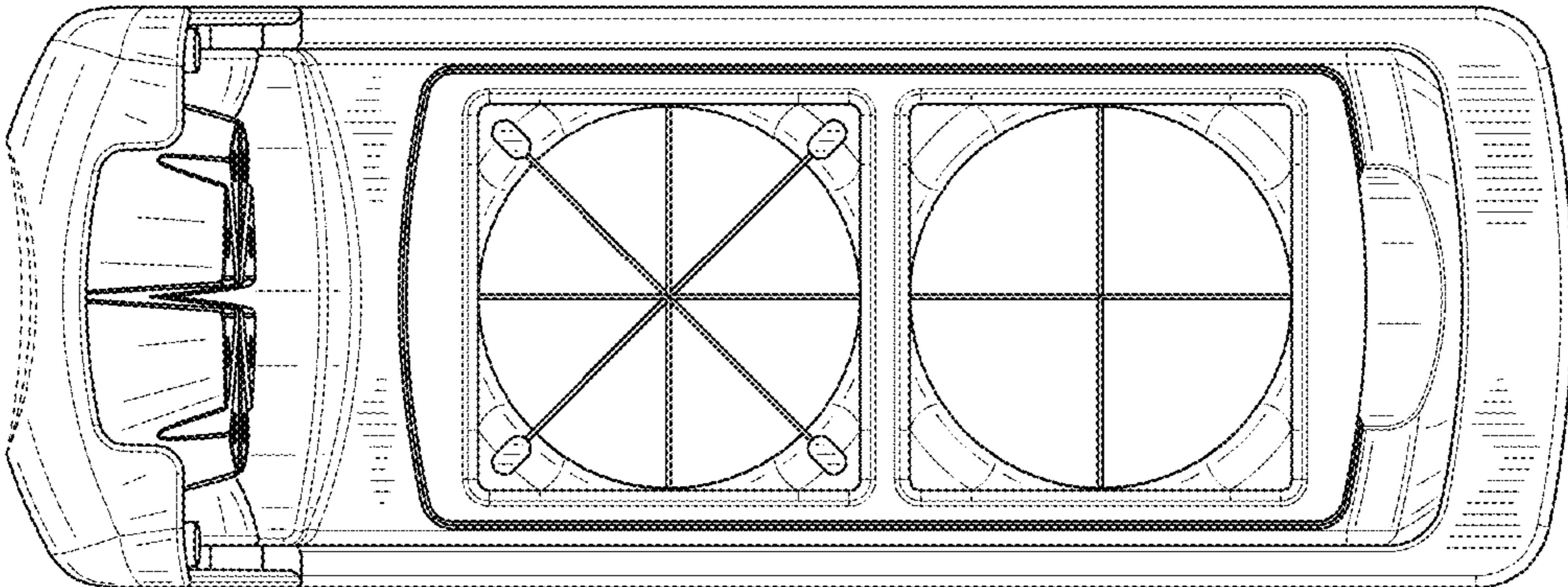


FIG. 6

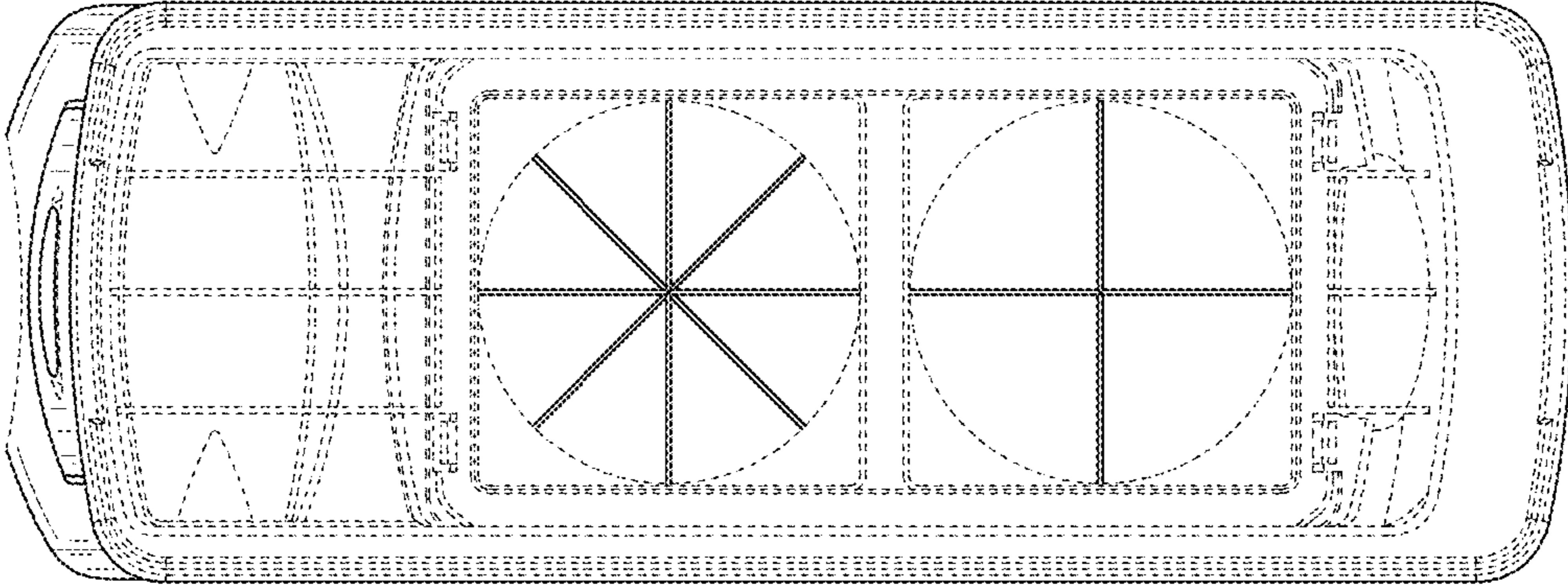


FIG. 7