



US00D777534S

(12) **United States Design Patent**  
**Orr**

(10) **Patent No.:** **US D777,534 S**

(45) **Date of Patent:** **\*\* Jan. 31, 2017**

(54) **EGG SEPARATOR**

(71) Applicant: **Karen Orr**, Clark, CO (US)

(72) Inventor: **Karen Orr**, Clark, CO (US)

(\*\*) Term: **15 Years**

(21) Appl. No.: **29/532,696**

(22) Filed: **Jul. 9, 2015**

**Related U.S. Application Data**

(63) Continuation-in-part of application No. 29/479,707, filed on Jan. 17, 2014, now Pat. No. Des. 736,041.

(51) **LOC (10) Cl.** ..... **07-04**

(52) **U.S. Cl.**  
USPC ..... **D7/667**

(58) **Field of Classification Search**

USPC ..... D7/667, 368, 669; 30/120.1; 426/478, 426/490; 99/495-499; D24/112, 115

CPC ..... A47J 43/14; A23J 1/08; A23J 1/09  
See application file for complete search history.

(56) **References Cited**

**U.S. PATENT DOCUMENTS**

1,868,336 A \* 7/1932 Parsons ..... A47J 43/14  
210/532.1

2,430,156 A 11/1947 Byers

2,652,765 A \* 9/1953 Risco ..... A47J 43/16  
99/345

(Continued)

*Primary Examiner* — Terry Wallace

(74) *Attorney, Agent, or Firm* — Reilly Intellectual Property Law Firm

(57) **CLAIM**

The ornamental design for an egg separator, as shown and described.

**DESCRIPTION**

FIG. 1 is a perspective view of the egg separator showing my new design.

FIG. 2 is a side view thereof.

FIG. 3 is a front view thereof.

FIG. 4 is an opposite side view thereof.

FIG. 5 is a top plan view thereof.

FIG. 6 is a bottom plan view thereof.

FIG. 7 is an exploded front view thereof.

FIG. 8 is an exploded perspective view thereof.

FIG. 9 is a side view of the bulb portion of FIG. 1, shown separately for clarity of illustration.

FIG. 10 is a side view of FIG. 9.

FIG. 11 is a top plan view of FIG. 9.

FIG. 12 is a side view of the upper portion of FIG. 1, shown separately for clarity of illustration.

FIG. 13 is a perspective view of FIG. 12.

FIG. 14 is a top plan view of FIG. 12.

FIG. 15 is a bottom plan view of FIG. 12.

FIG. 16 is a front view of FIG. 12.

FIG. 17 is a side view of the bulb portion of an alternate embodiment, shown separately for clarity of illustration.

FIG. 18 is a perspective view of FIG. 17.

FIG. 19 is a top plan view of FIG. 17.

FIG. 20 is a bottom plan view of FIG. 17.

FIG. 21 is a front view of FIG. 17.

FIG. 22 is a perspective view of an alternate embodiment of FIG. 1.

FIG. 23 is a side view of FIG. 22.

FIG. 24 is a front view of FIG. 22.

FIG. 25 is an opposite side view of FIG. 22.

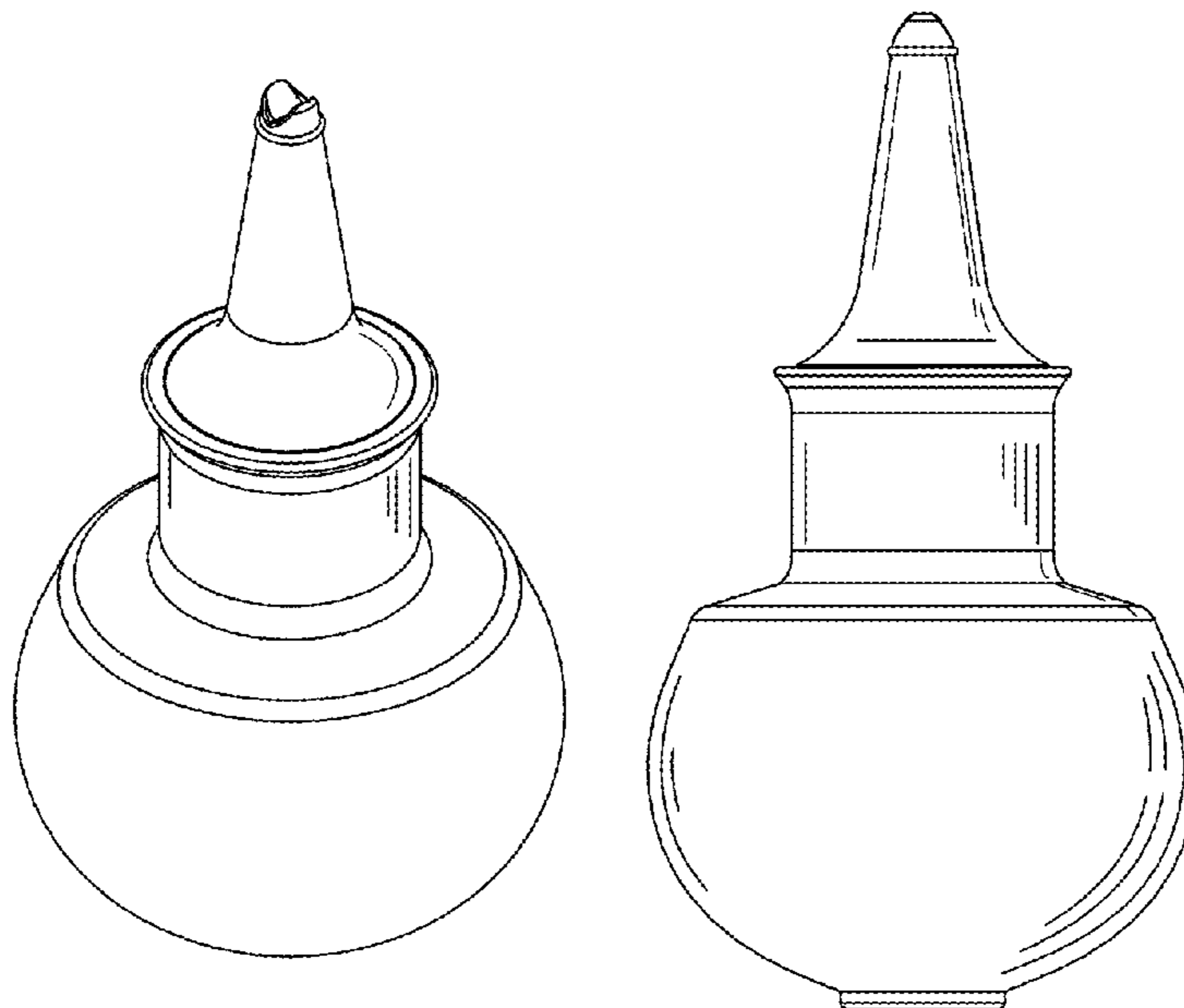
FIG. 26 is a top plan view of FIG. 22.

FIG. 27 is a bottom plan view of FIG. 22.

FIG. 28 is an exploded side view of FIG. 22; and,

FIG. 29 is an exploded perspective view of FIG. 22.

**1 Claim, 11 Drawing Sheets**



(56)

**References Cited**

U.S. PATENT DOCUMENTS

4,149,456 A \* 4/1979 Gisonni ..... A47G 19/28  
30/120.1  
4,258,714 A \* 3/1981 Leopoldi ..... A61M 3/0262  
604/118  
5,088,392 A 2/1992 Ancona et al.  
5,527,550 A 6/1996 Miles et al.  
5,643,202 A 7/1997 Gravenstein et al.  
D391,455 S \* 3/1998 Wallays ..... D7/669  
6,050,434 A 4/2000 McNab  
7,549,559 B2 \* 6/2009 Conroy ..... B65D 47/0838  
215/235  
D687,265 S \* 8/2013 Cloutier ..... D7/667  
D703,494 S \* 4/2014 Frank ..... D7/667  
D729,593 S \* 5/2015 Myoung ..... D7/669  
2005/0045669 A1 \* 3/2005 Thunberg ..... B65D 47/0809  
222/556  
2012/0314527 A1 12/2012 Vulliermet  
2012/0323221 A1 \* 12/2012 Gallo ..... A61M 3/0279  
604/514

\* cited by examiner

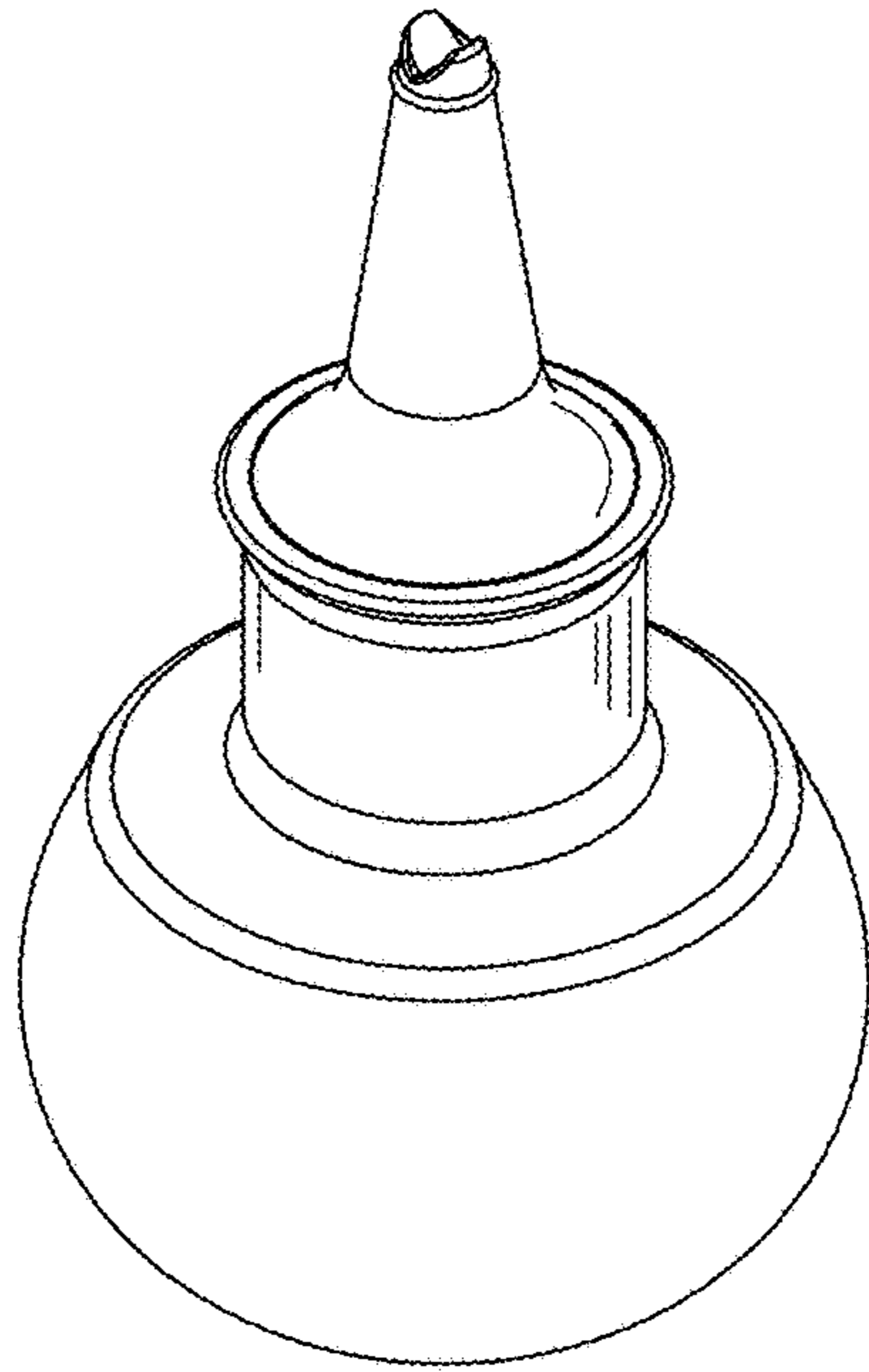


FIG. 1

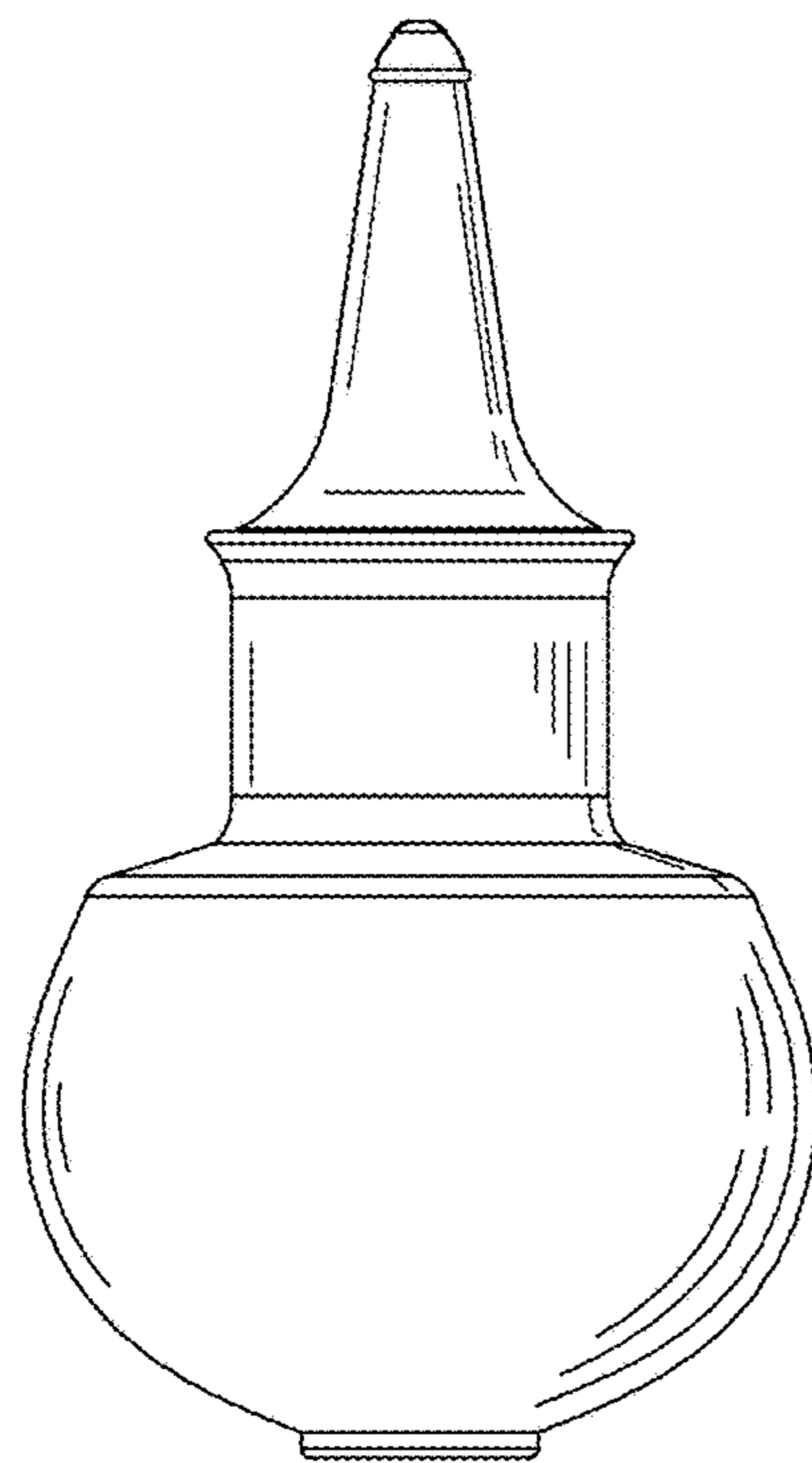


FIG. 2

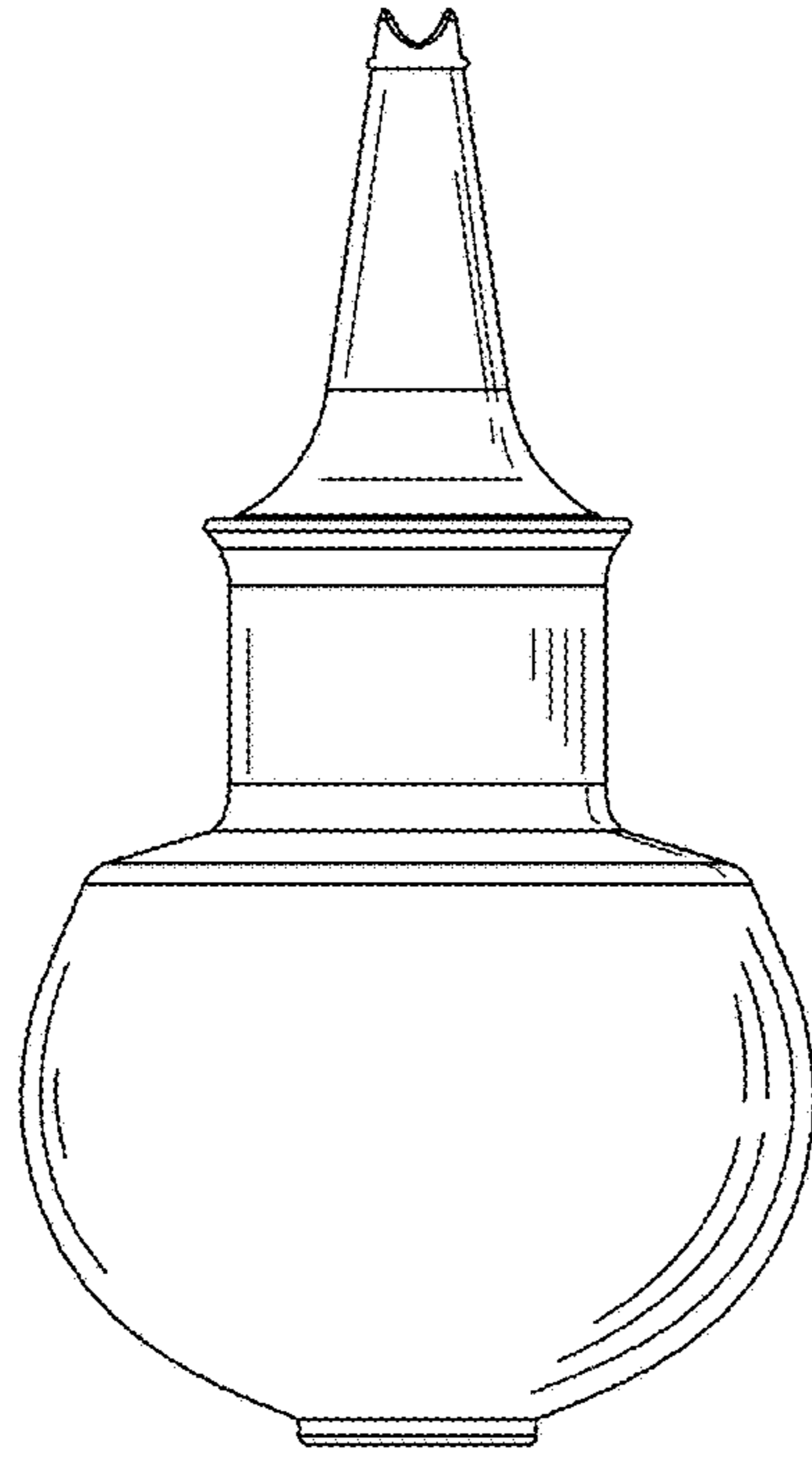


FIG. 3

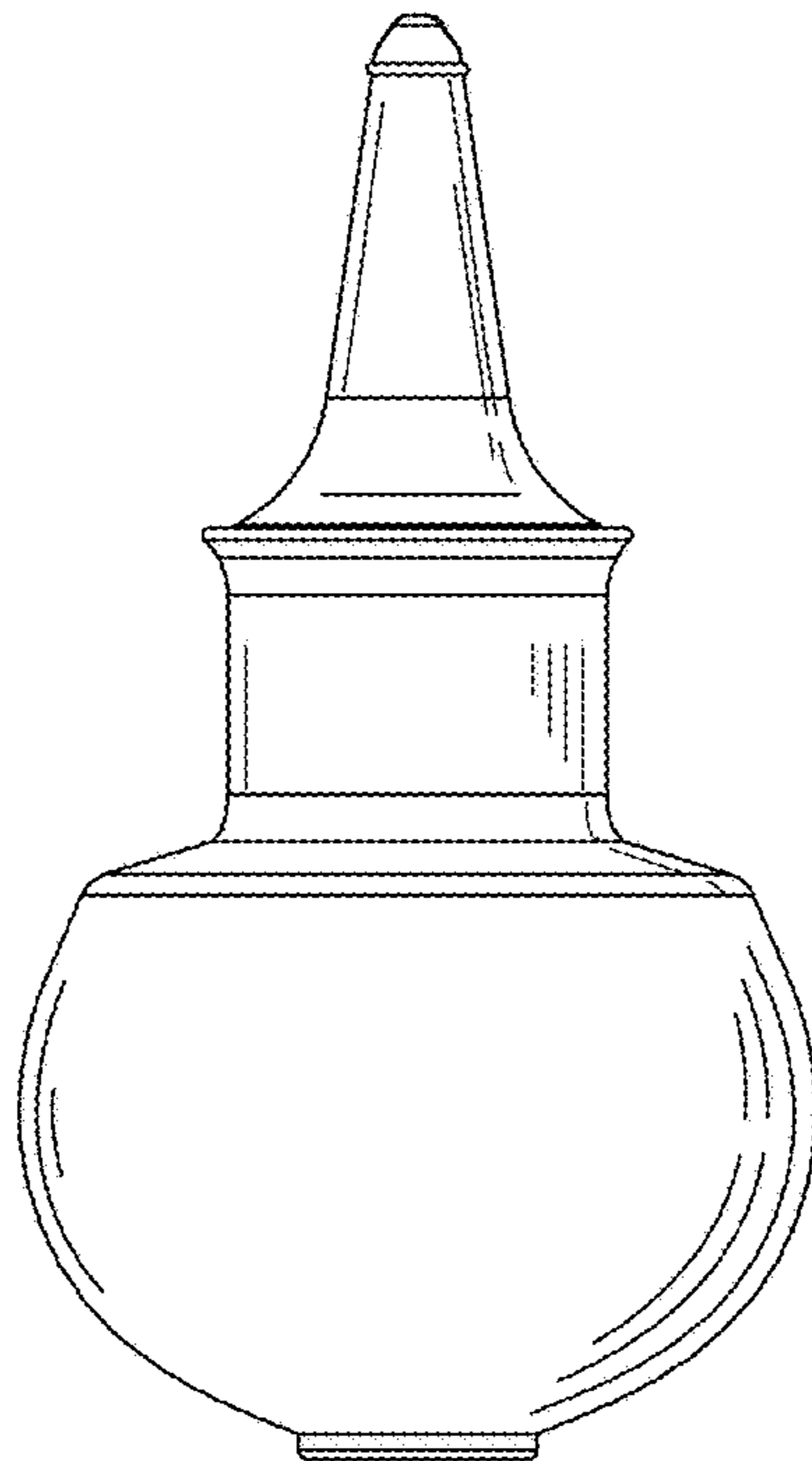


FIG. 4

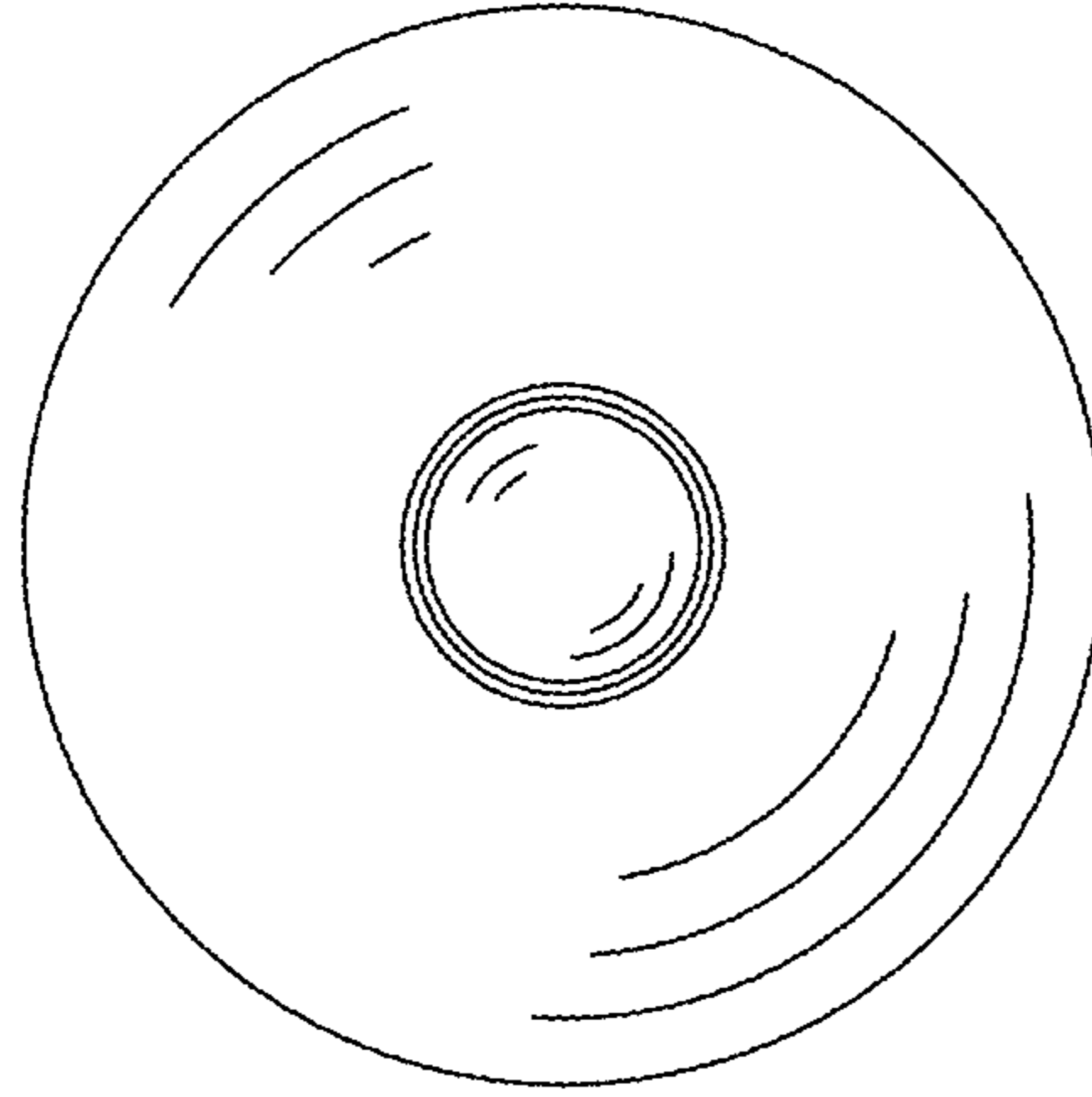


FIG. 5

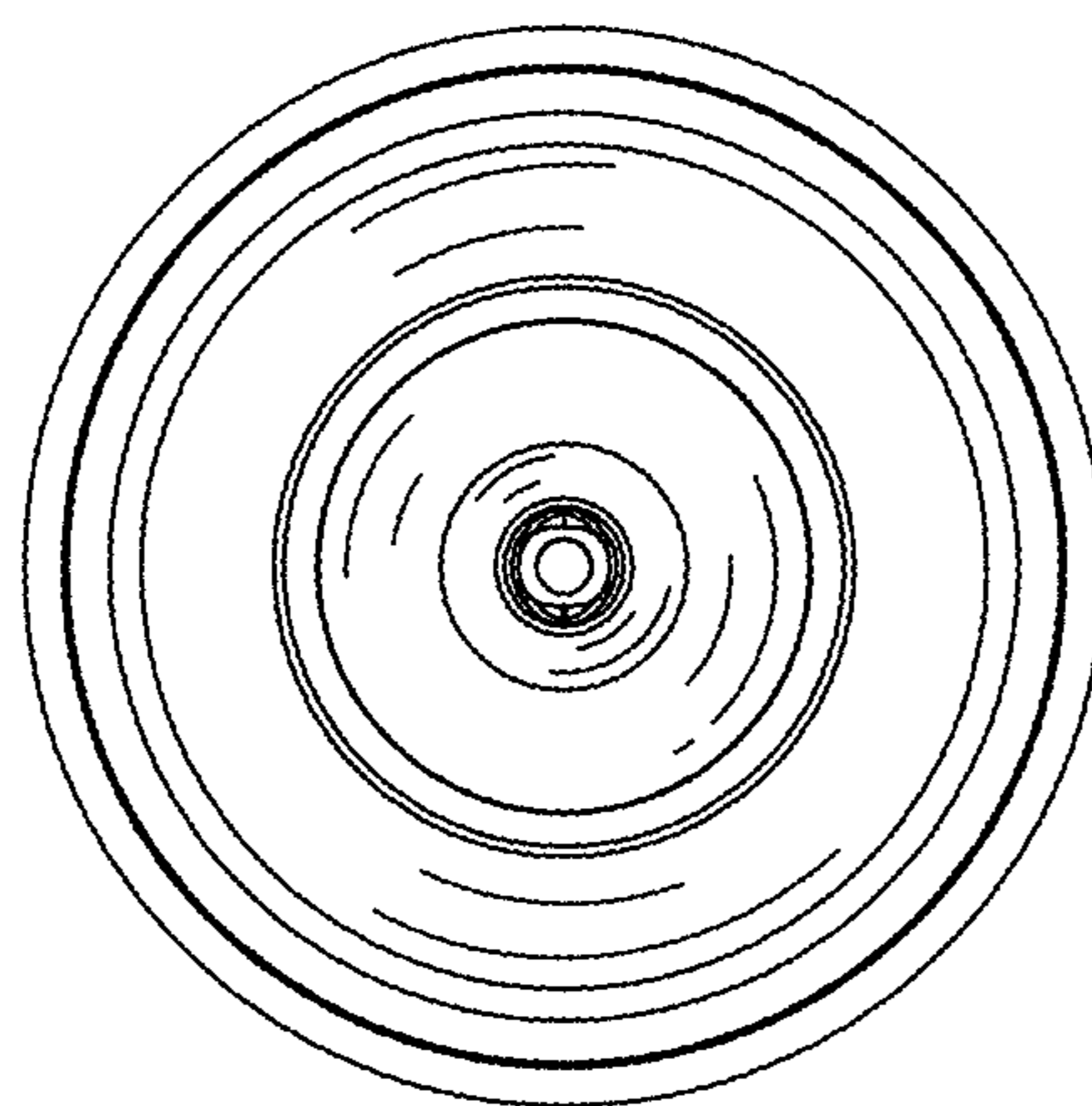


FIG. 6

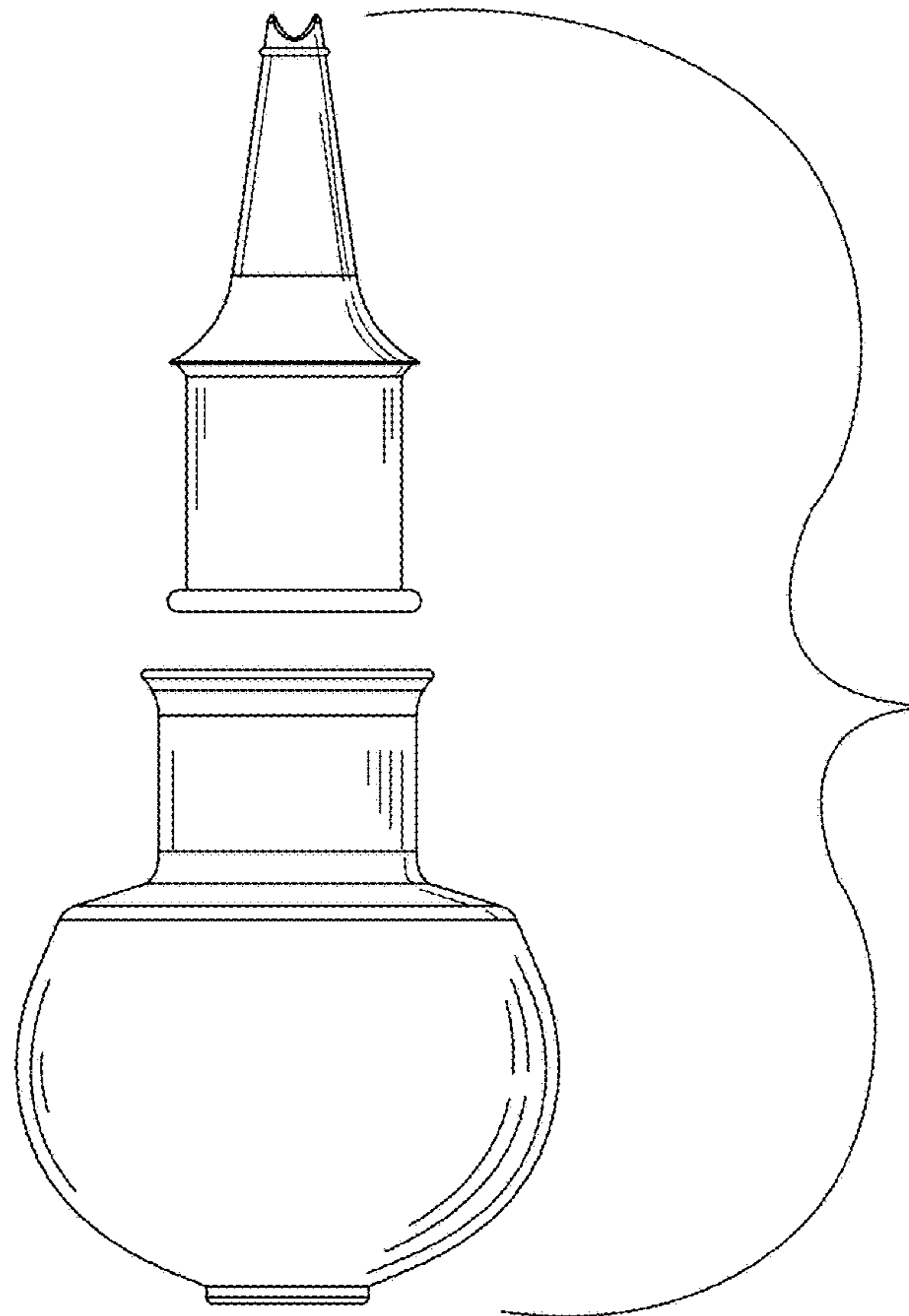


FIG. 7

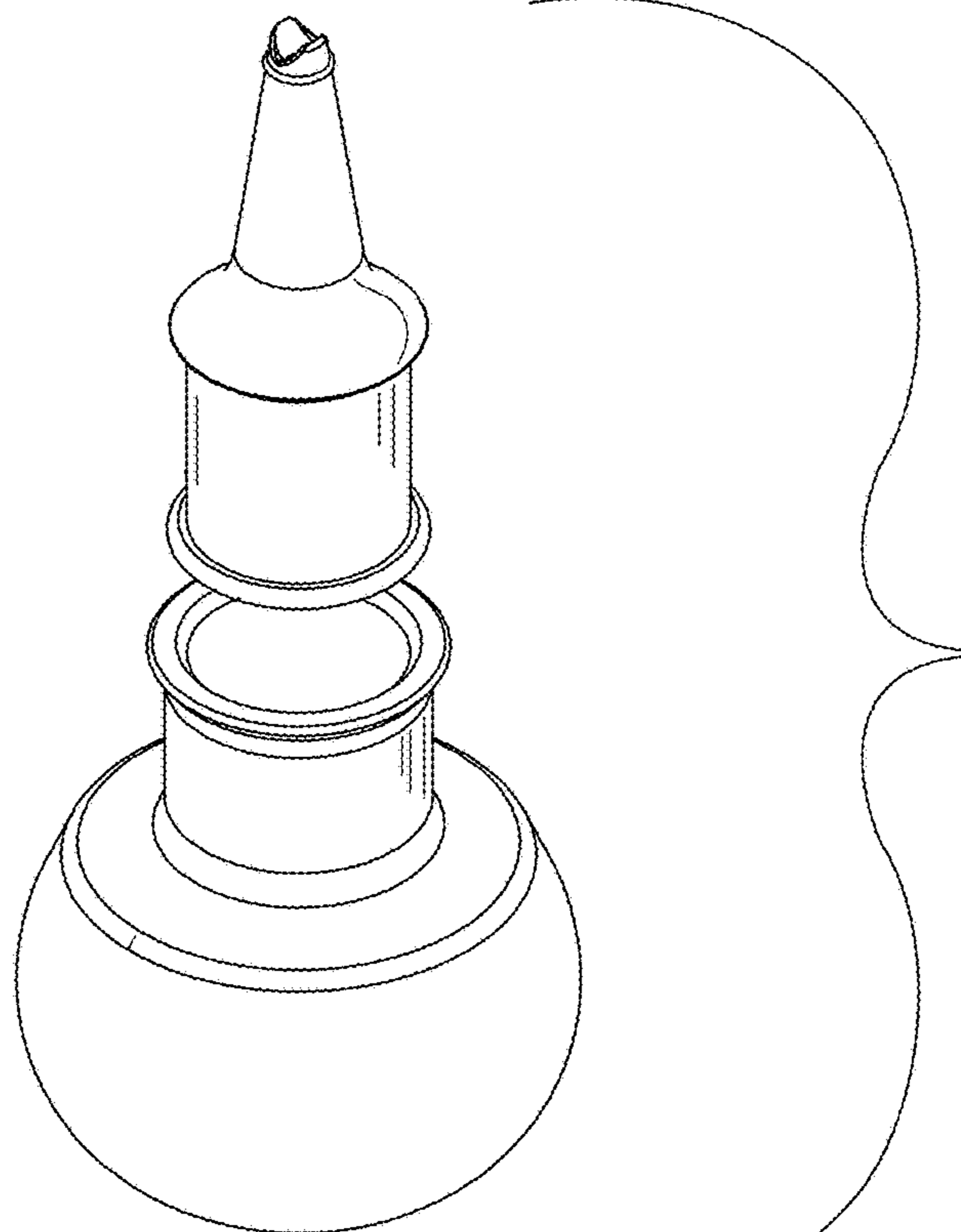


FIG. 8

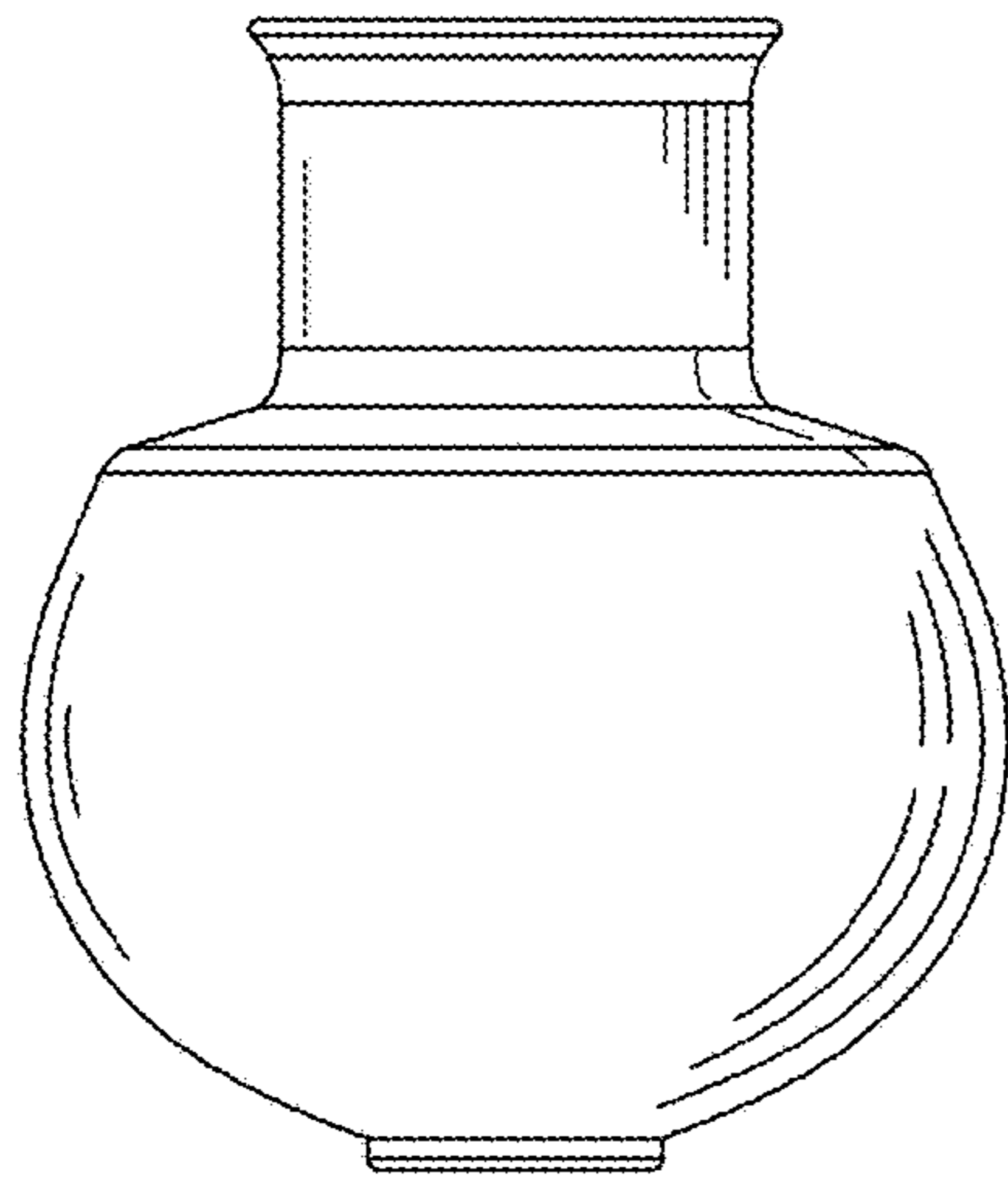


FIG. 9

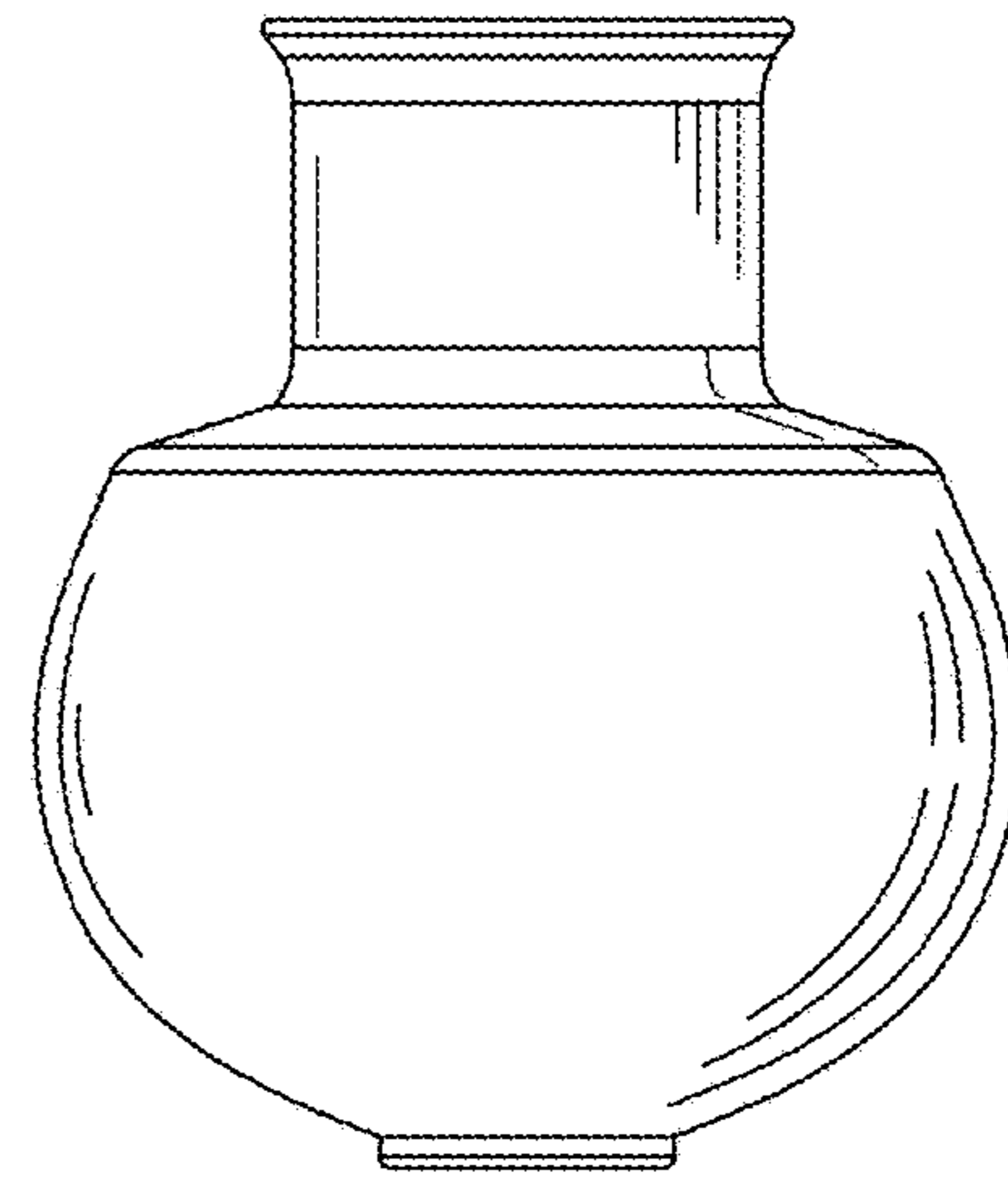


FIG. 10

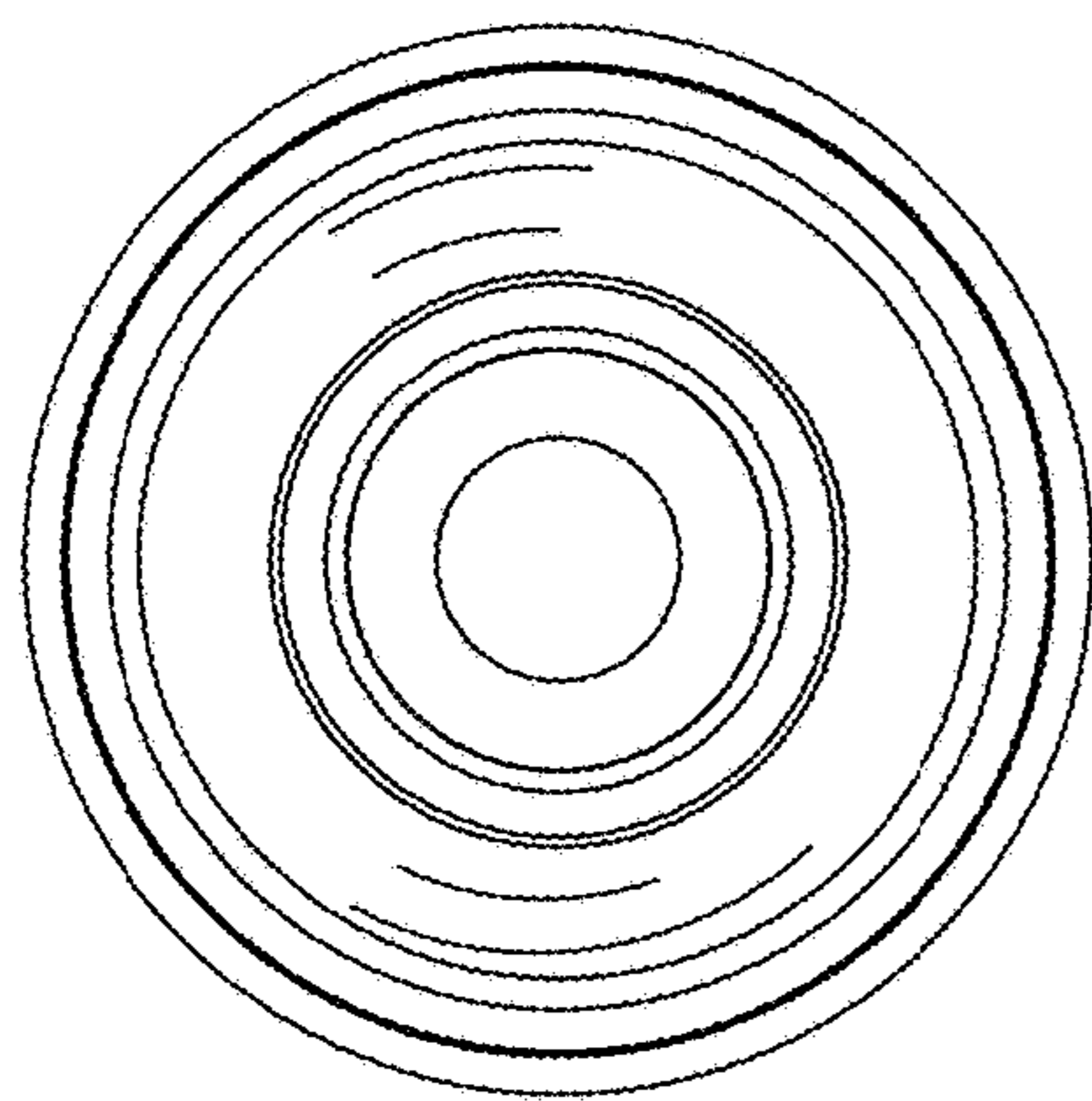


FIG. 11

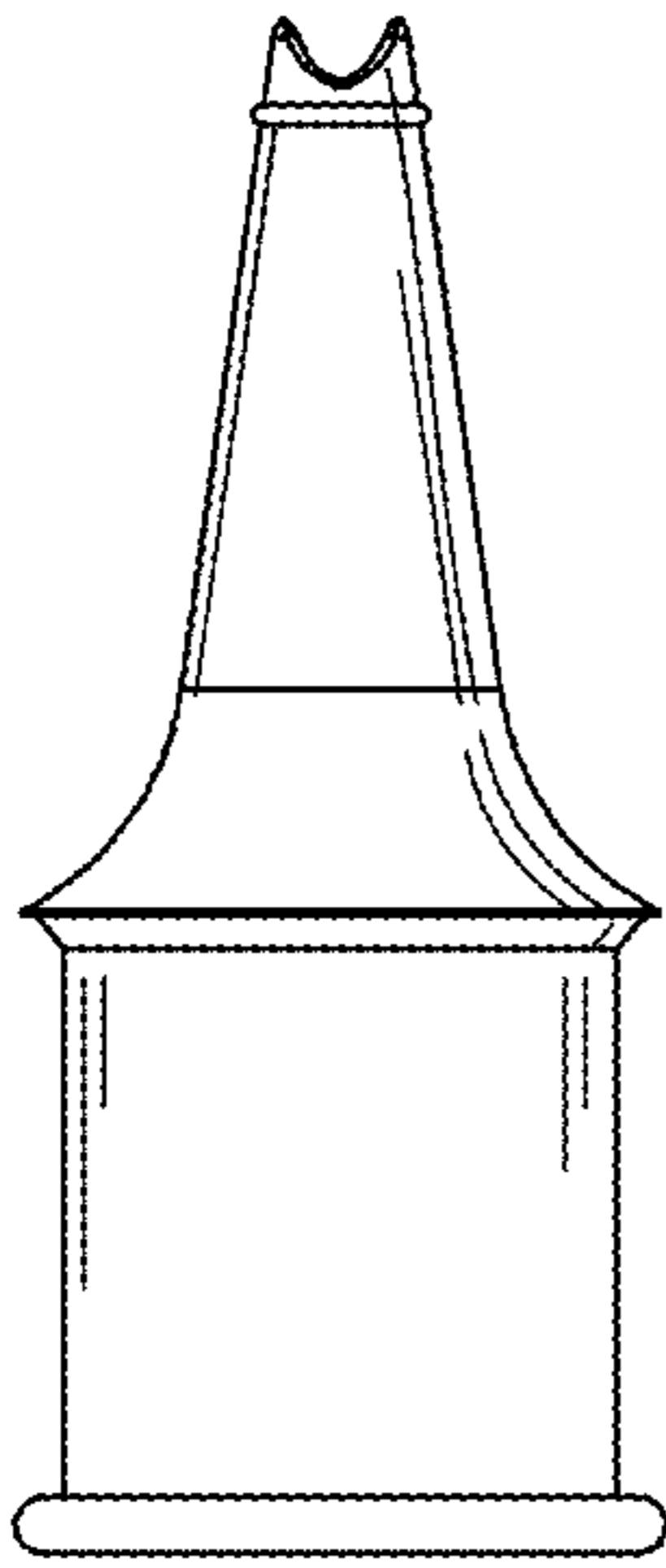


FIG. 12

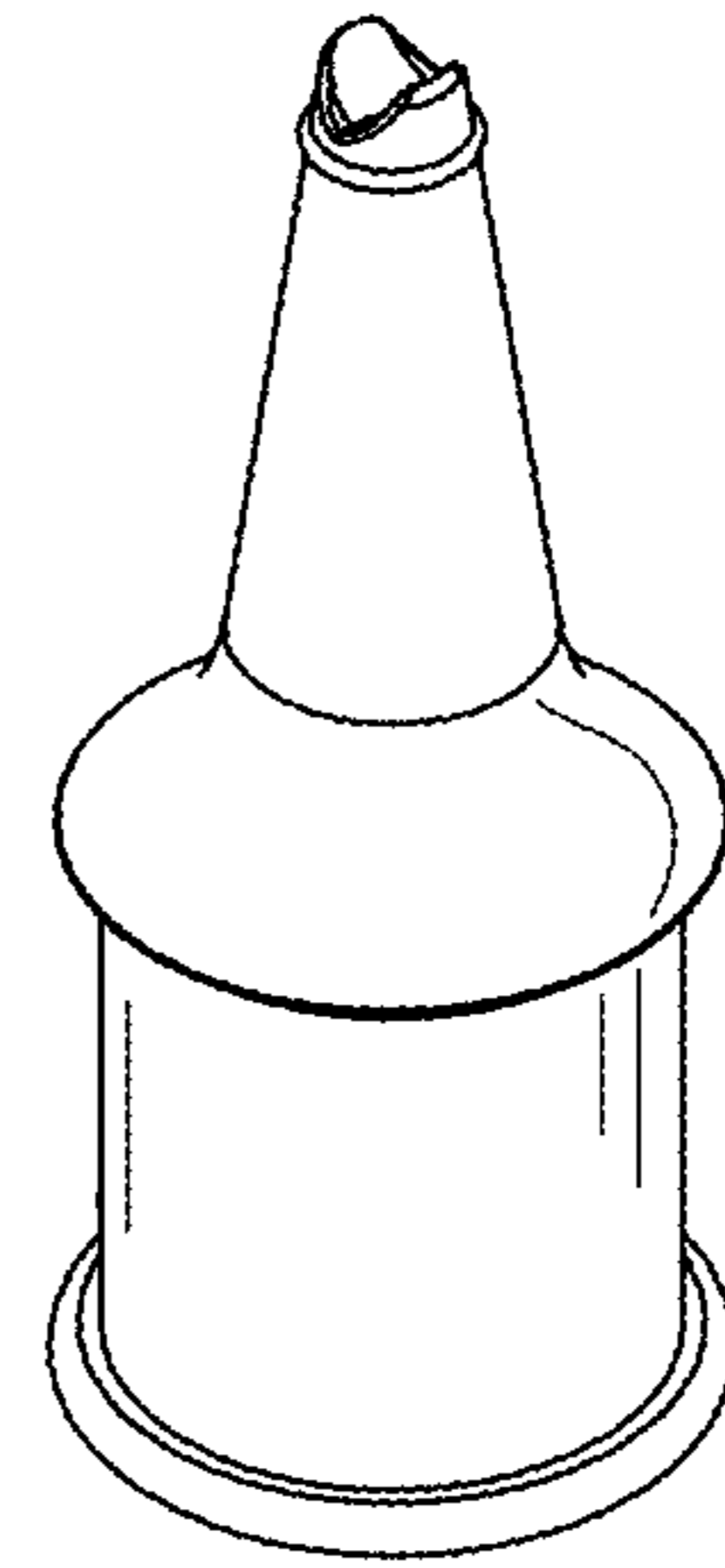


FIG. 13

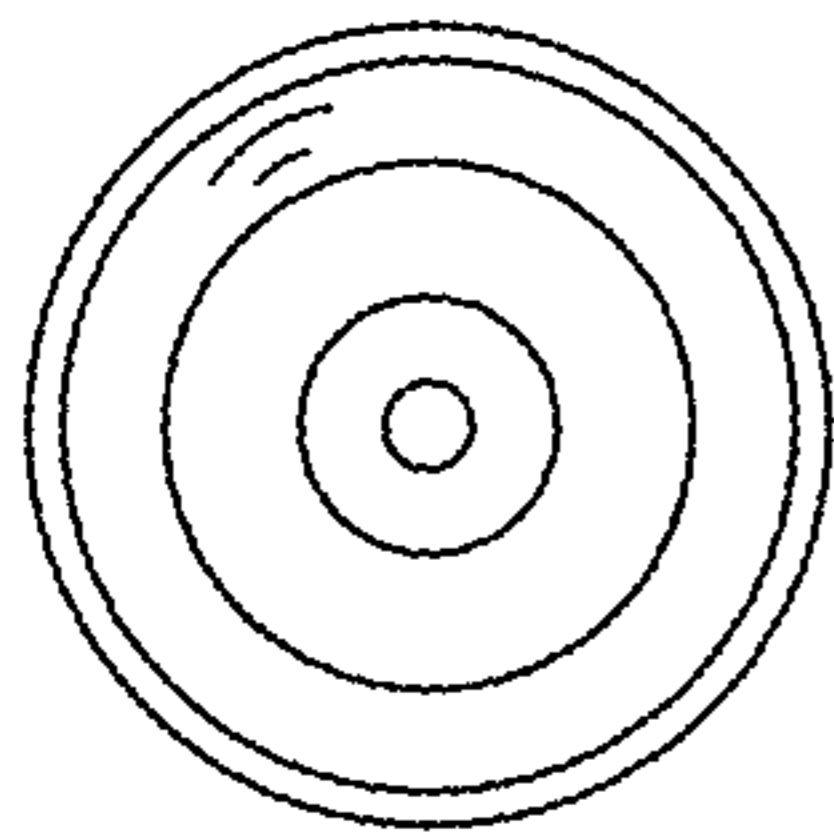


FIG. 14

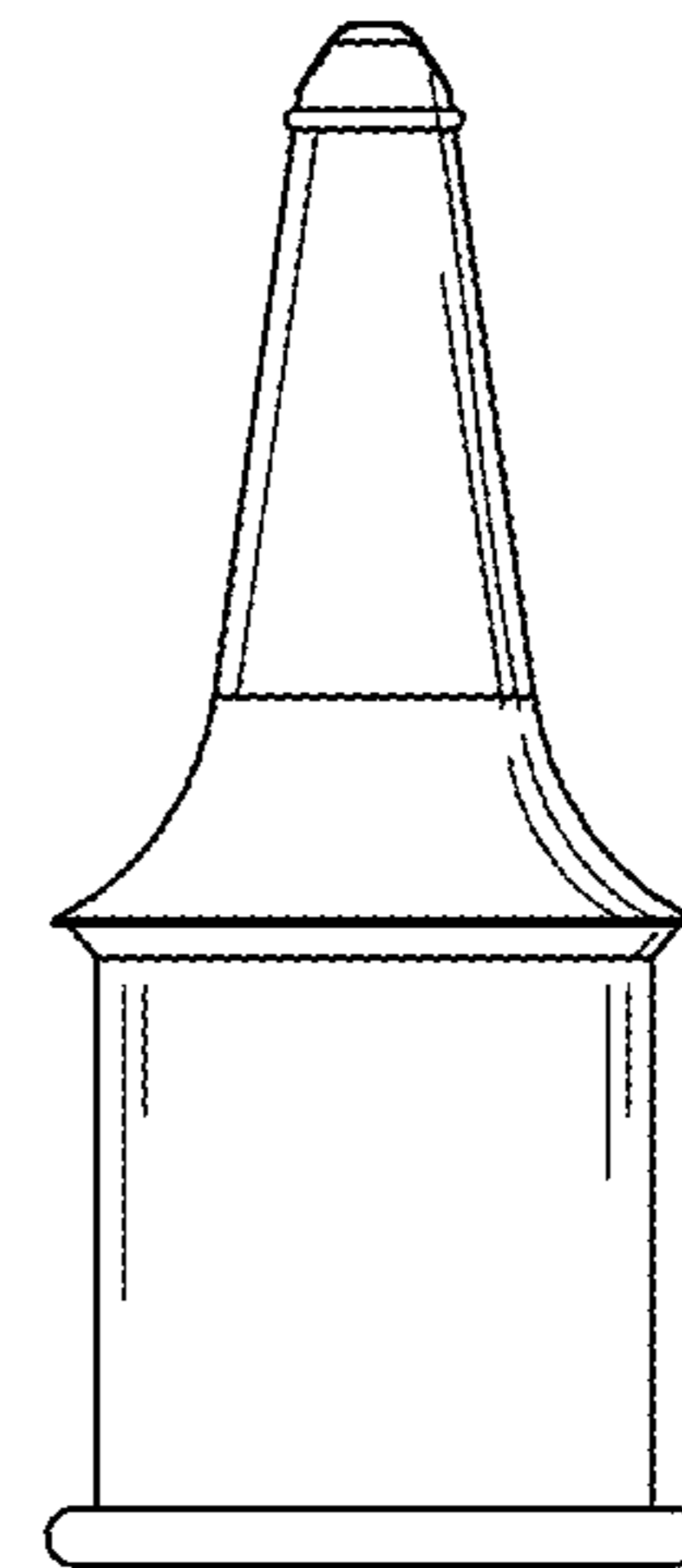


FIG. 16

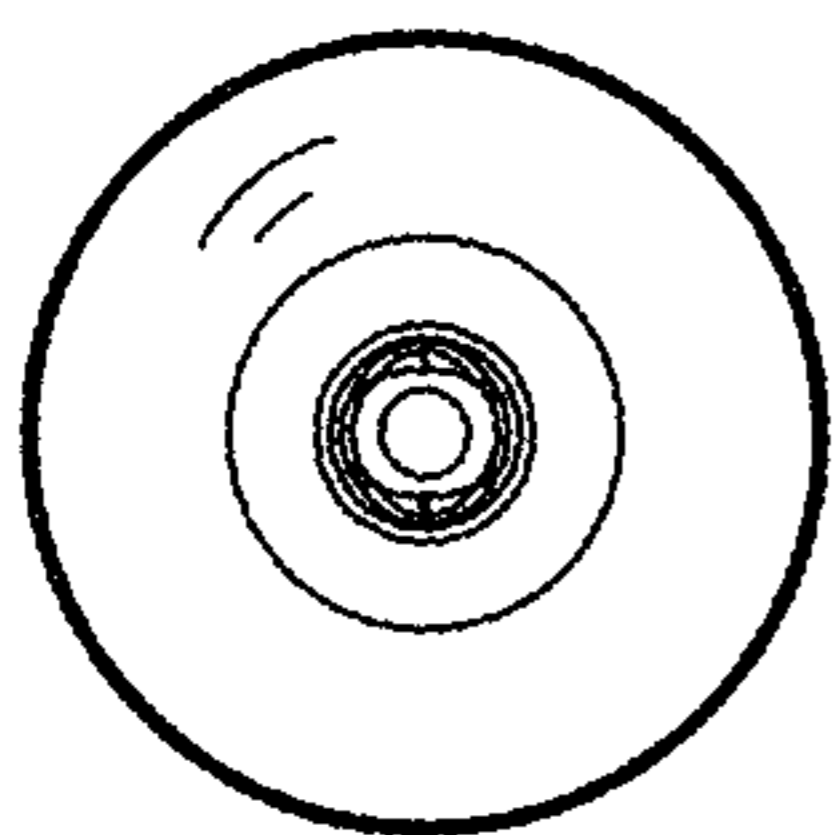


FIG. 15



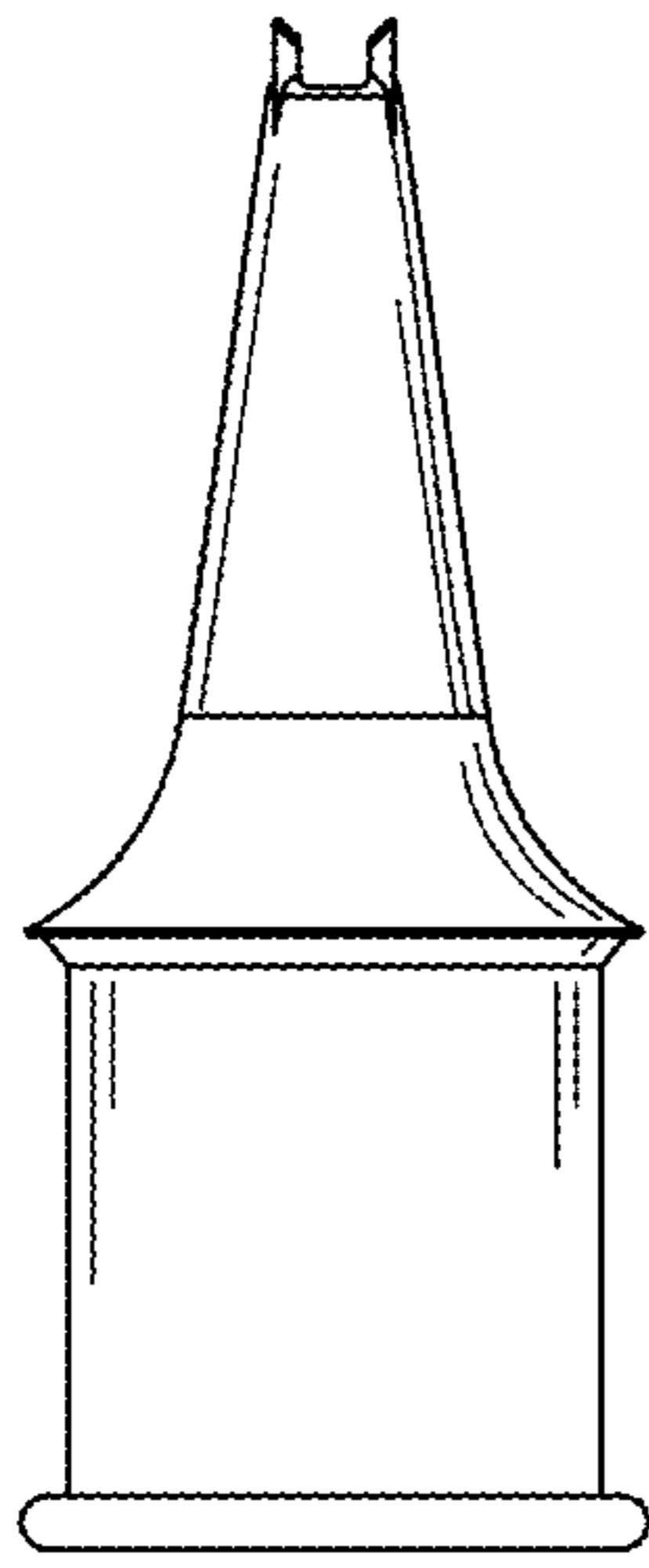


FIG. 17

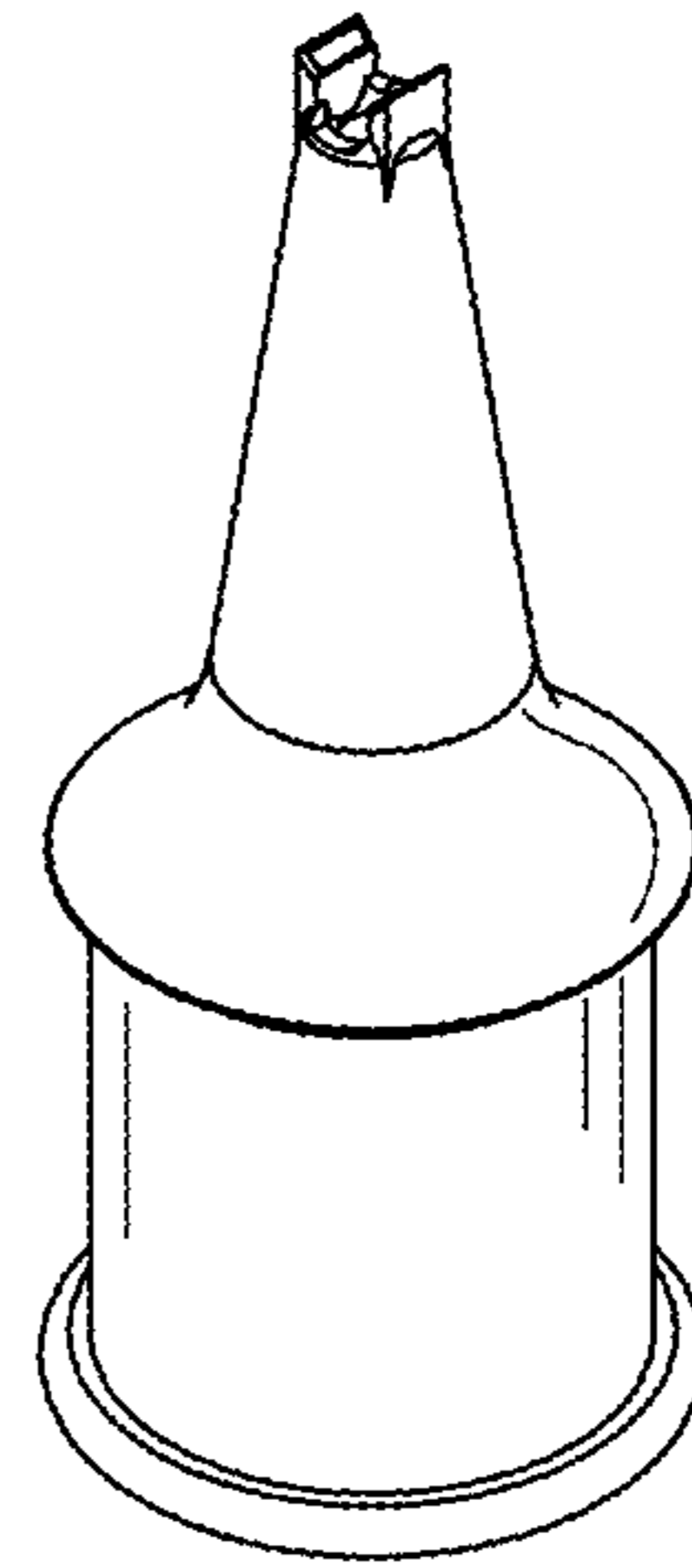


FIG. 18

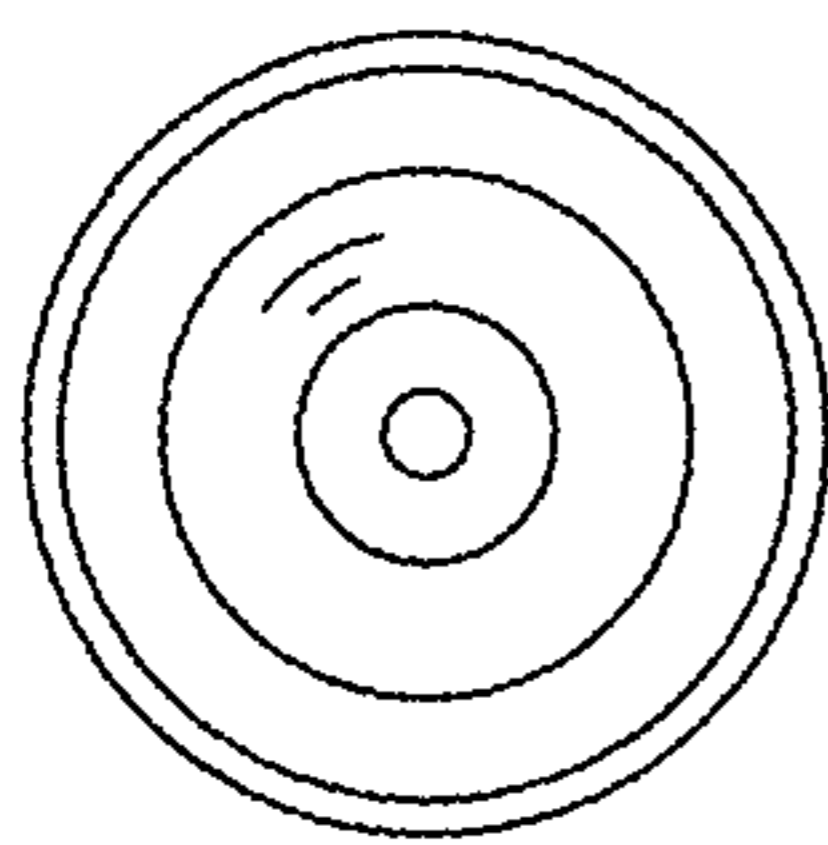


FIG. 19

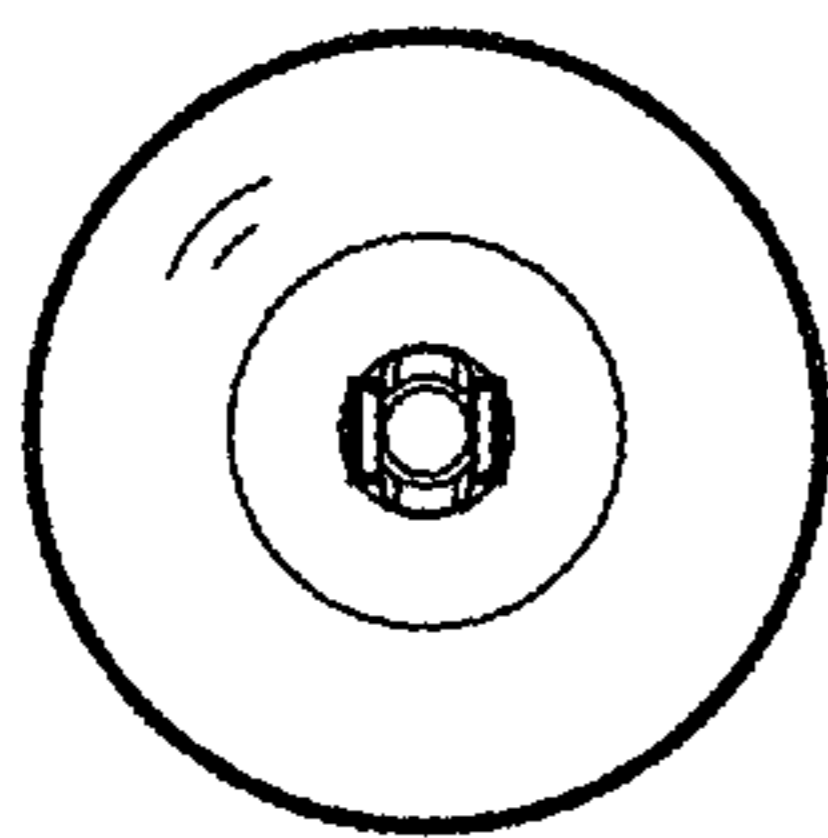


FIG. 20

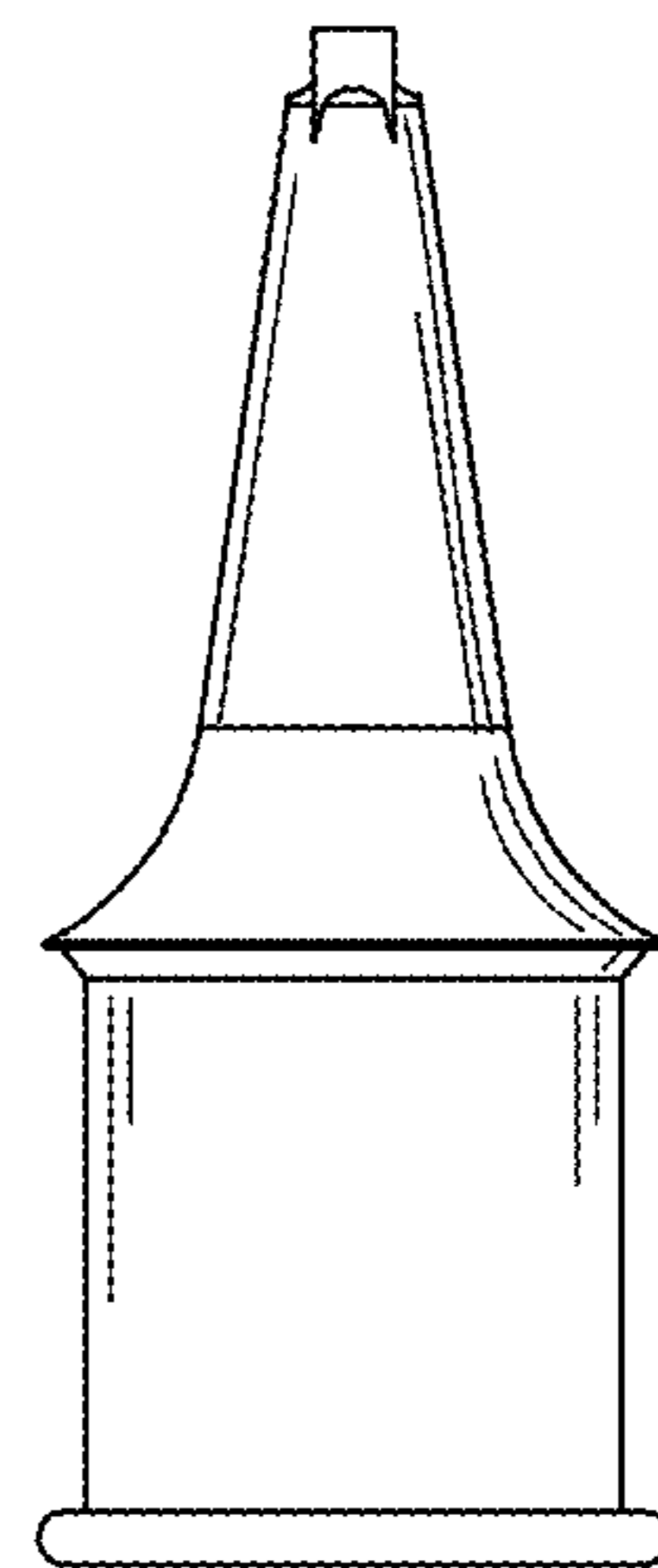


FIG. 21

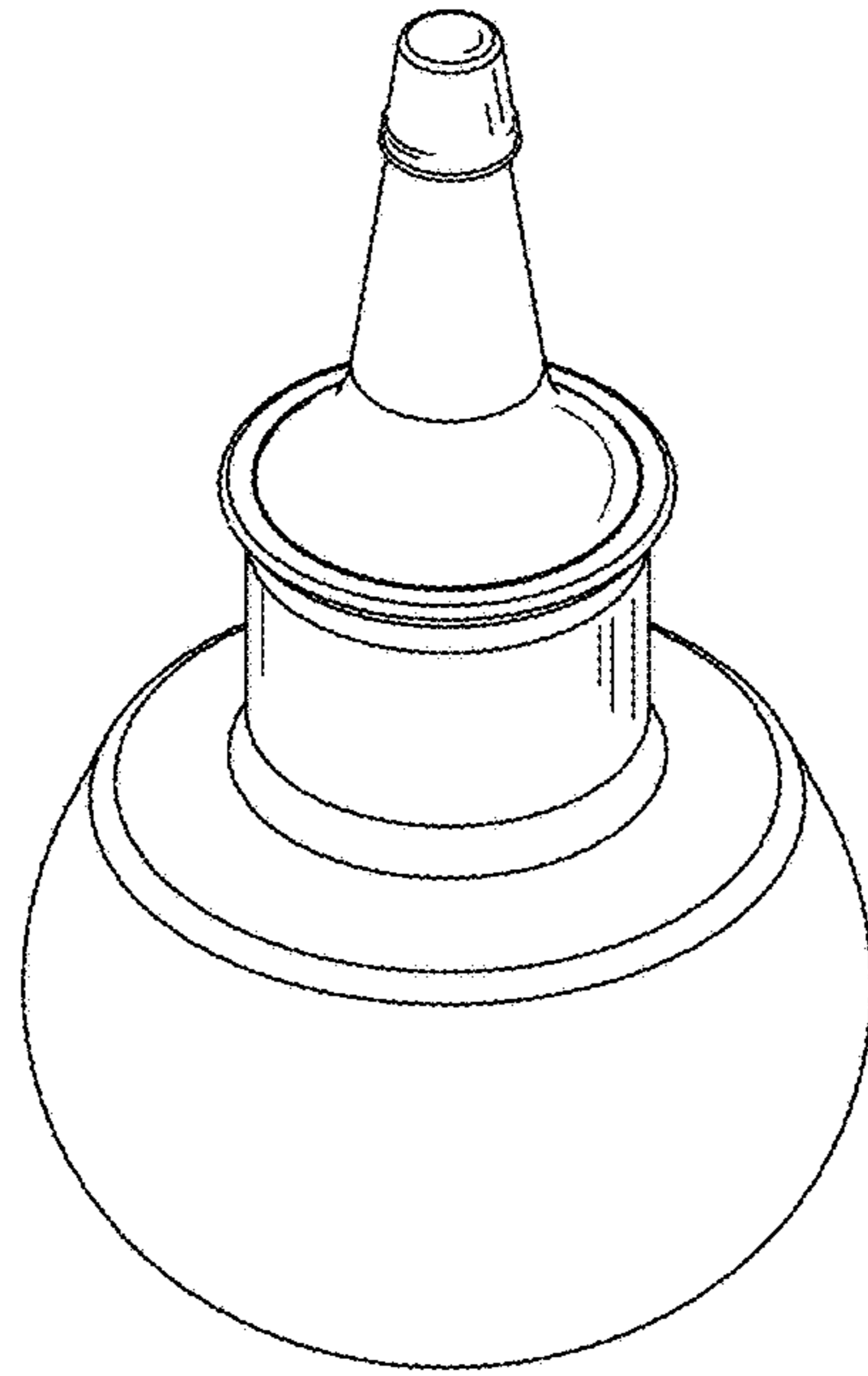


FIG. 22

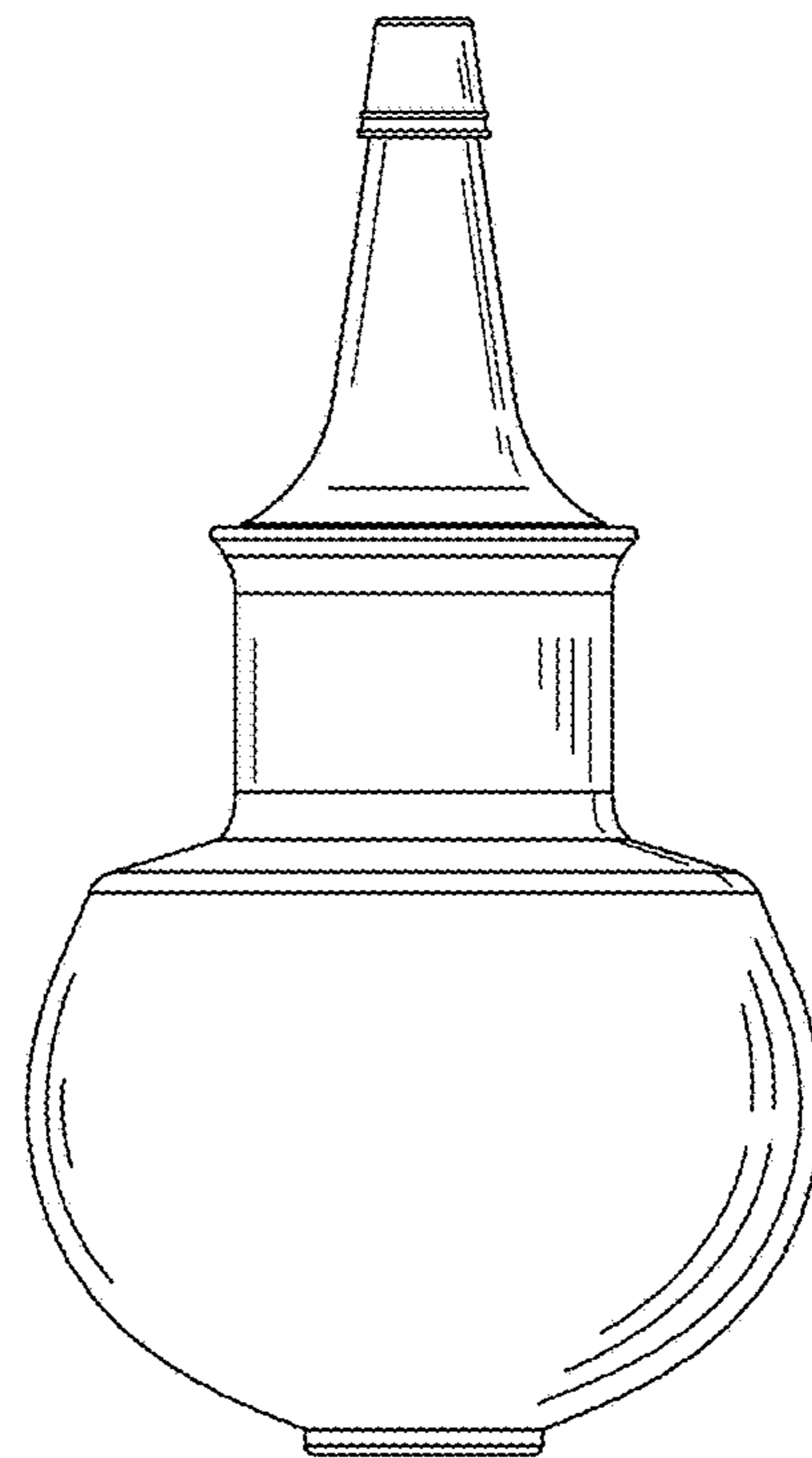


FIG. 23

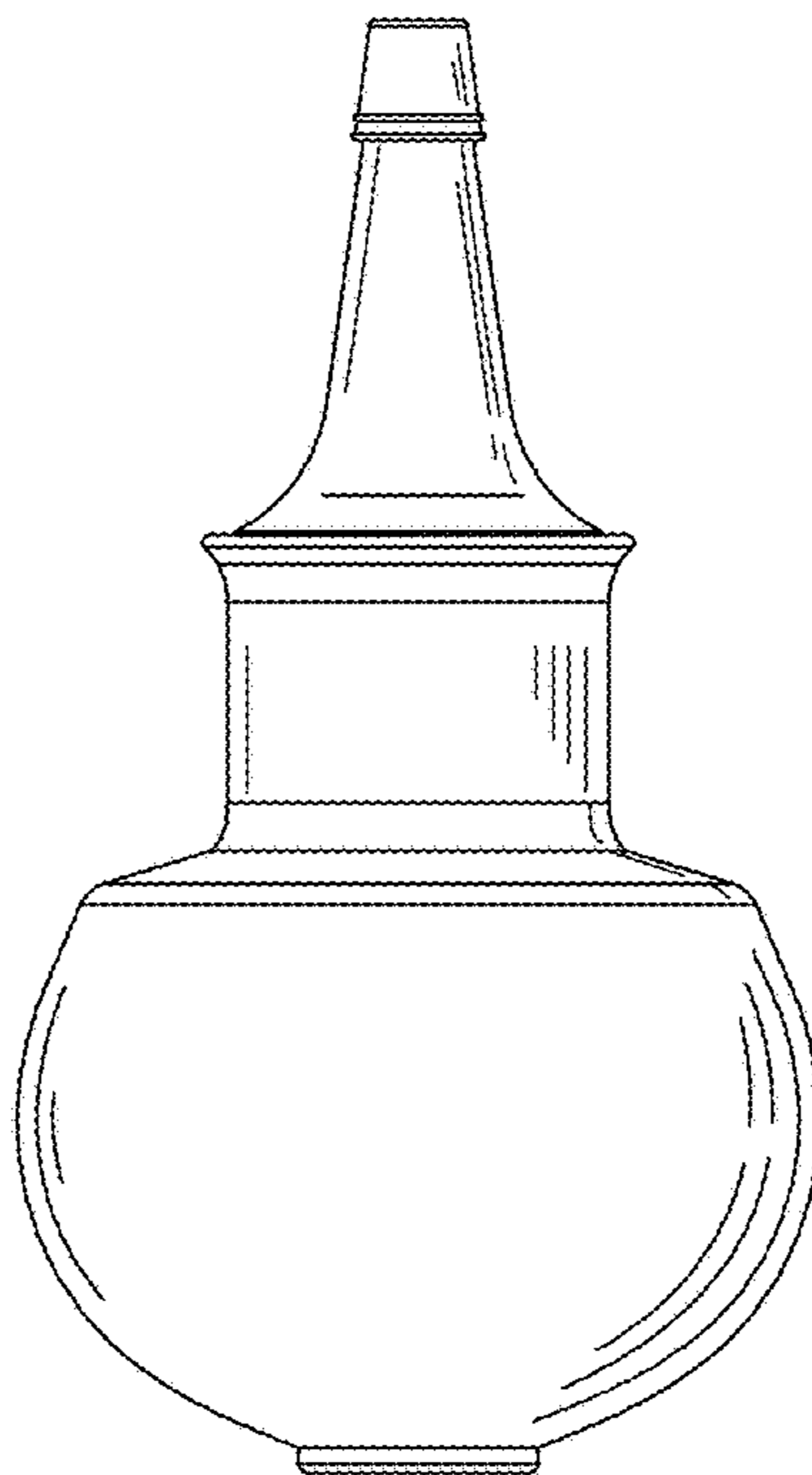


FIG. 24

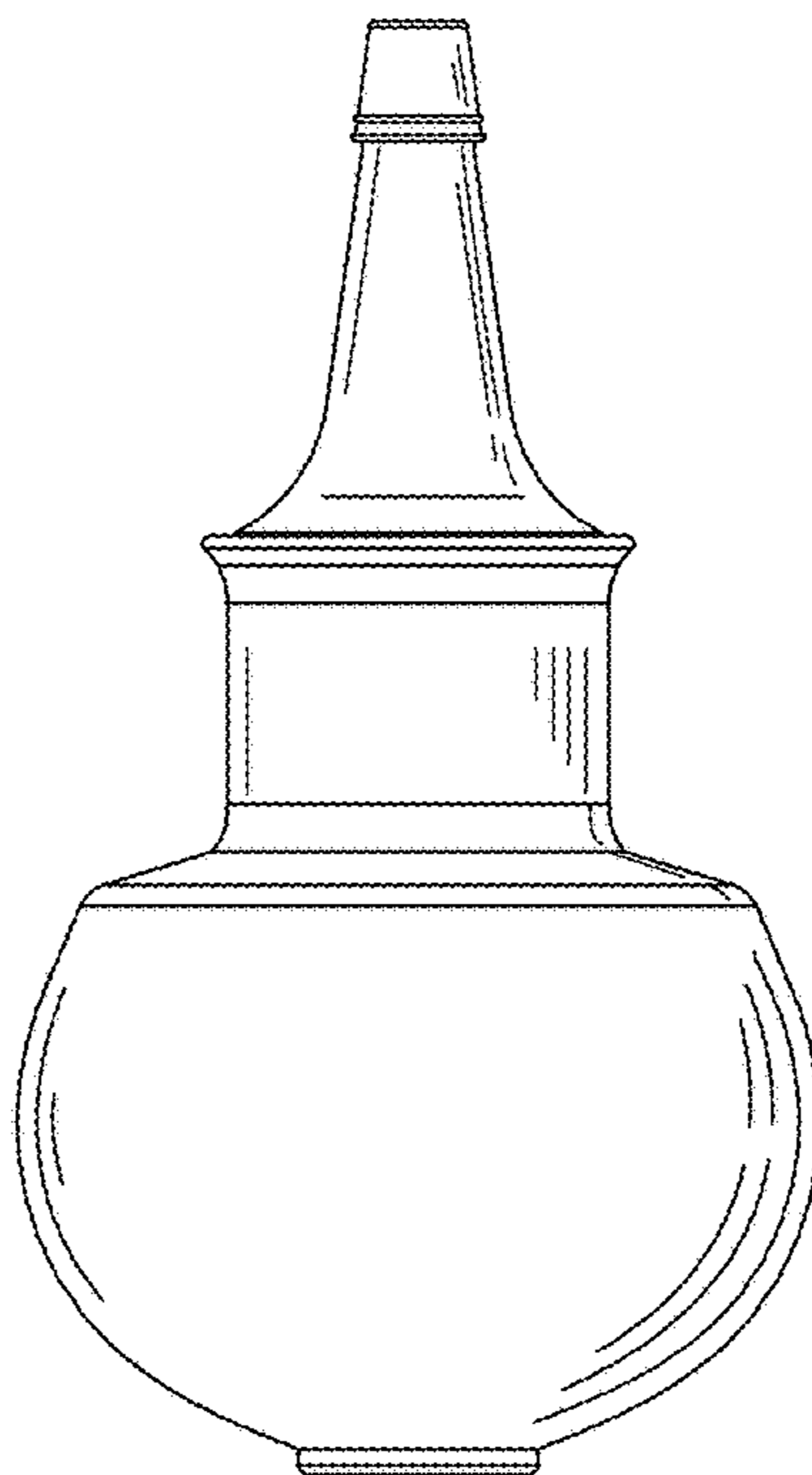


FIG. 25

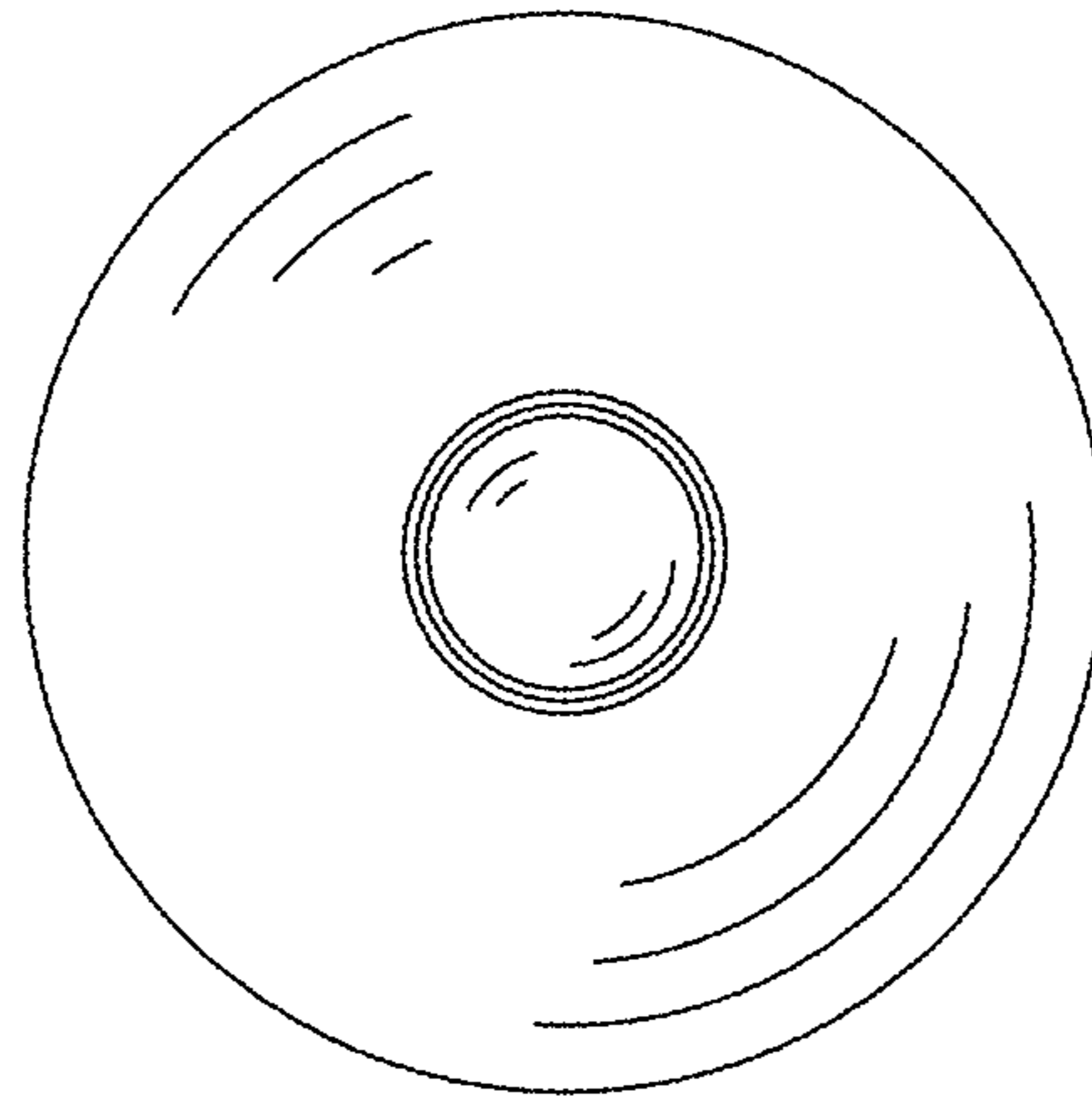


FIG. 26

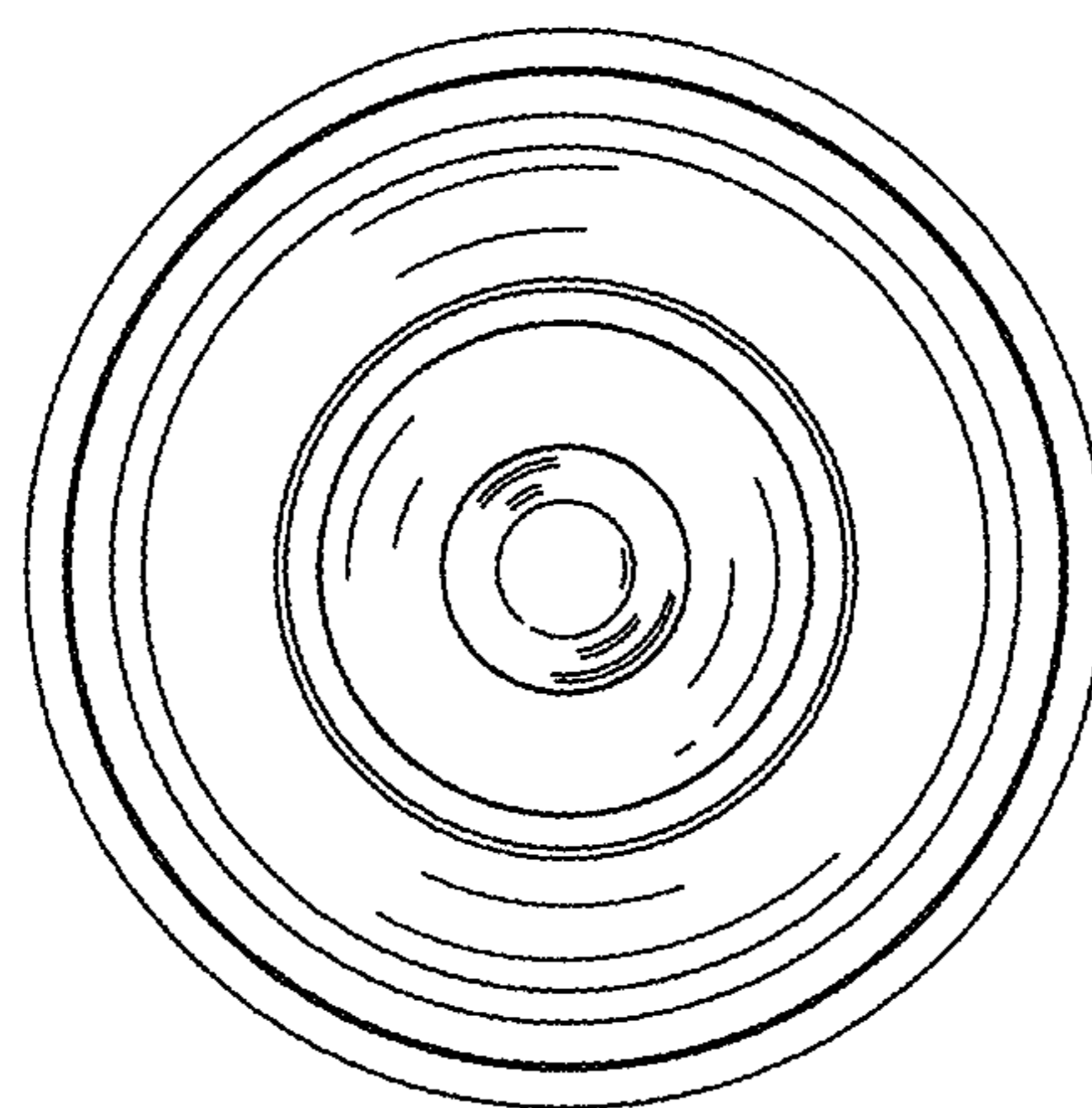


FIG. 27

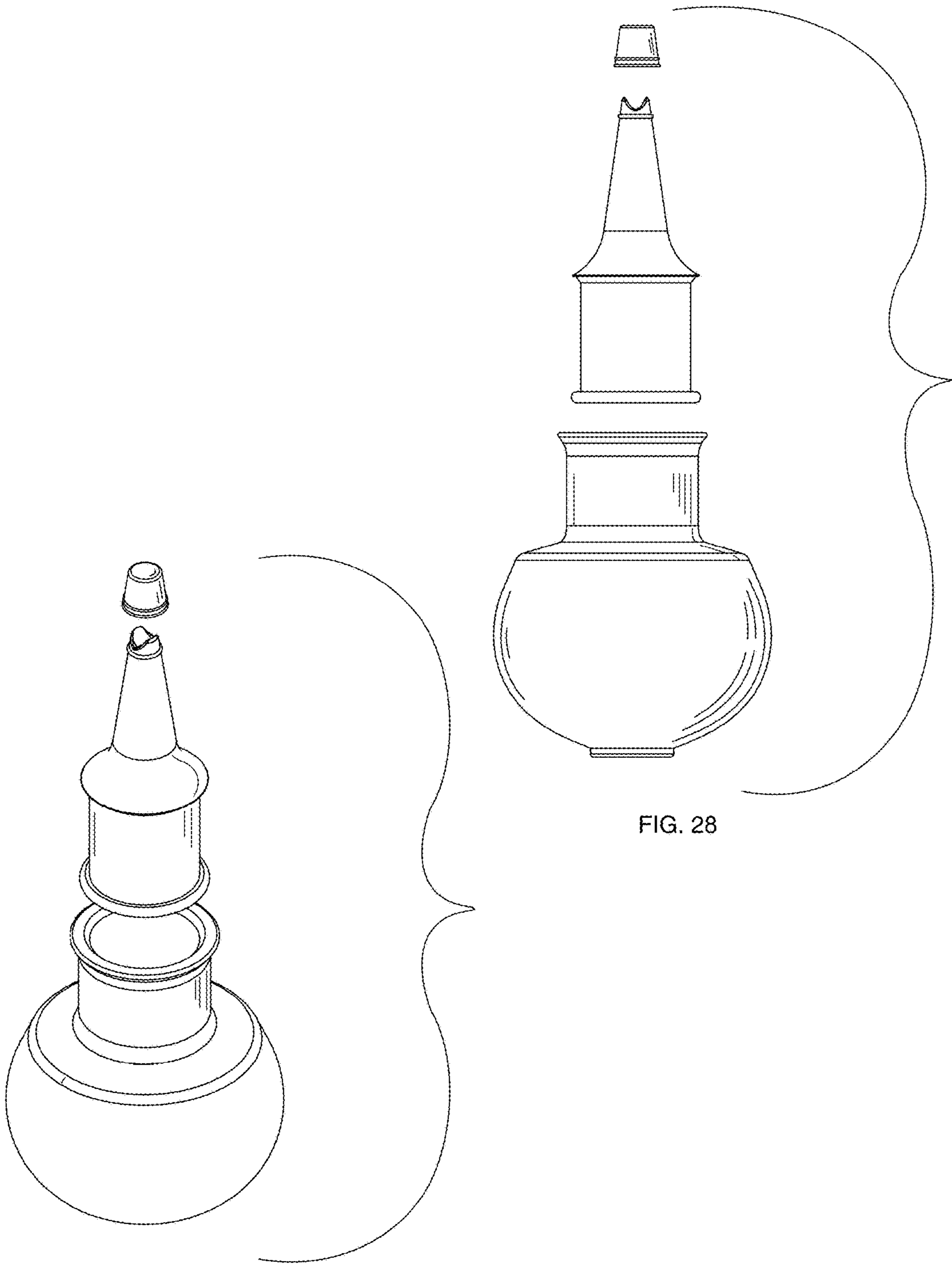


FIG. 29

FIG. 28