



US00D777531S

(12) **United States Design Patent**
Joseph et al.

(10) **Patent No.:** **US D777,531 S**
(45) **Date of Patent:** **** Jan. 31, 2017**

(54) **KNIFE BLOCK**

(71) Applicant: **JOSEPH JOSEPH LTD**, London (GB)

(72) Inventors: **Antony Joseph**, London (GB); **Oliver Craig**, London (GB); **Oliver Chambers**, London (GB)

(73) Assignee: **Joseph Joseph Ltd.**, London (GB)

(**) Term: **14 Years**

(21) Appl. No.: **29/517,573**

(22) Filed: **Feb. 13, 2015**

(30) **Foreign Application Priority Data**

Sep. 10, 2014 (EM) 002534651-0001

(51) **LOC (10) Cl.** **07-99**

(52) **U.S. Cl.**
USPC **D7/637**

(58) **Field of Classification Search**
USPC D7/631, 637-641; D9/443, 530, 783;
D13/107, 108, 184, 170; D14/204, 214,
D14/217, 432-434; D19/75, 81-85;
76/82, 84, 86; 211/13.1, 60.1, 70, 70.6,
211/70.7; 248/37.3, 37.6; 451/552
CPC A47F 5/16; A47F 7/00; A47G 21/00;
A47G 21/14; B26B 3/00; B26B 27/00
See application file for complete search history.

(56) **References Cited**

U.S. PATENT DOCUMENTS

4,509,651 A * 4/1985 Prindle A47G 21/14
211/70.6
D426,202 S * 6/2000 Klinker D14/432
D439,669 S * 3/2001 Grunstad D14/434
D444,472 S * 7/2001 Russell D14/434
D445,339 S * 7/2001 Bazlur D9/538

D476,659 S * 7/2003 Ying D14/434
6,854,186 B2 * 2/2005 Basden A47G 21/14
248/37.3
D546,839 S * 7/2007 Hyncek D14/434
D583,802 S * 12/2008 Pincek D14/214
D690,162 S * 9/2013 Staton D7/510

OTHER PUBLICATIONS

Kaufmann Mercantile Walnut Cutting Board, announced Mar. 2013, [online], site visited Jun. 6, 2016. Available from Internet, <URL: <http://www.farmgirlgourmet.com>>.*

Turbo Air Sandwich/Salad Unit, announced Jun. 2013, [online], site visited Jun. 6, 2016. Available from Internet, <URL: <http://www.turboairinc.com>>.*

* cited by examiner

Primary Examiner — Ian Simmons

Assistant Examiner — Janice Lim

(74) *Attorney, Agent, or Firm* — Millen White Zelano & Branigan, P.C.

(57) **CLAIM**

The ornamental design for a knife block, as shown and described.

DESCRIPTION

FIG. 1 is a top perspective view of a knife block, showing our new design.

FIG. 2 is another top perspective view thereof.

FIG. 3 is a front view thereof.

FIG. 4 is a side view thereof.

FIG. 5 is a rear view thereof.

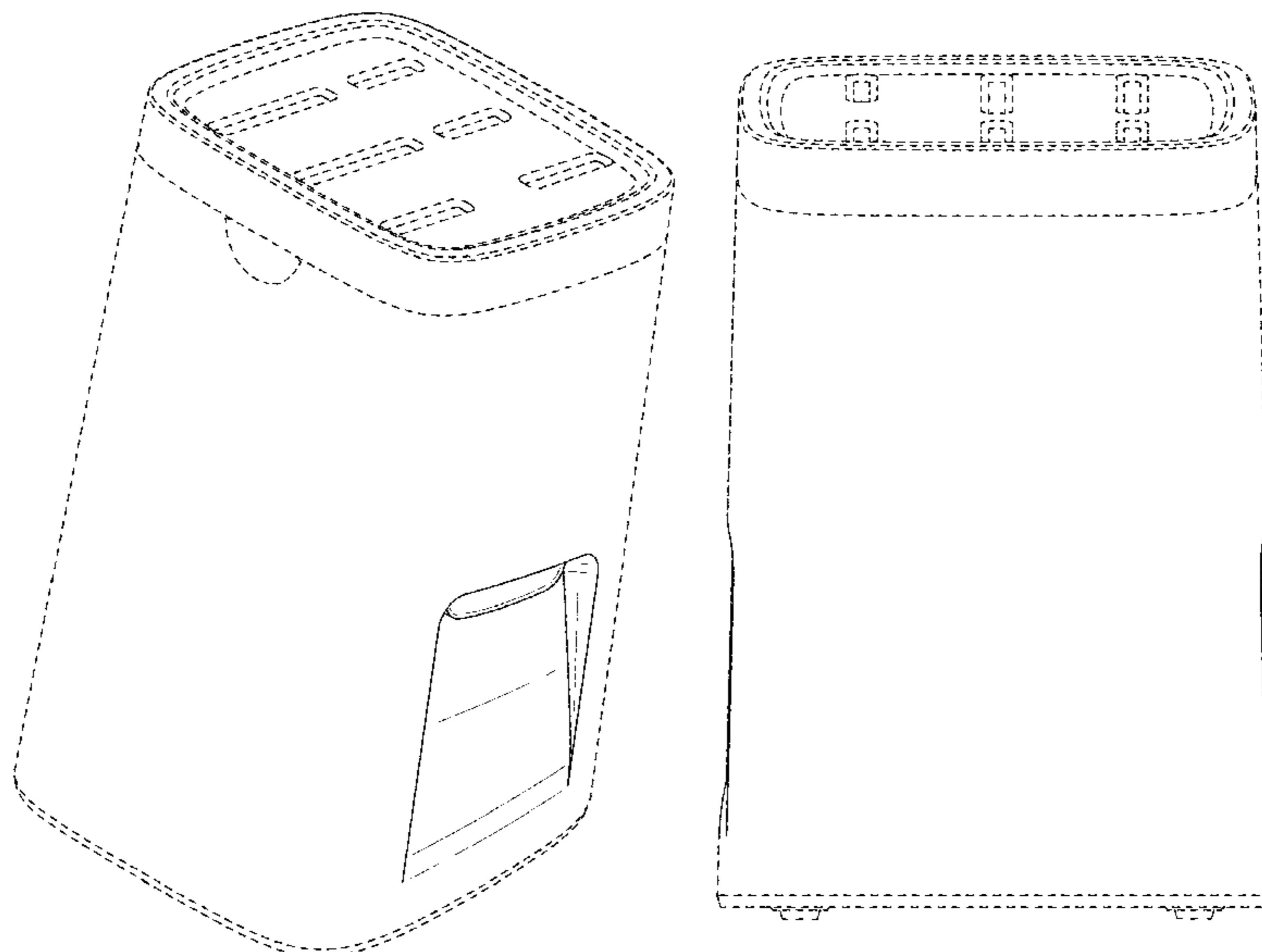
FIG. 6 is an opposite side view thereof.

FIG. 7 is a top plan view thereof; and,

FIG. 8 is a bottom plan view thereof.

The broken lines portions show unclaimed subject matter only and form no part of the claimed design.

1 Claim, 8 Drawing Sheets



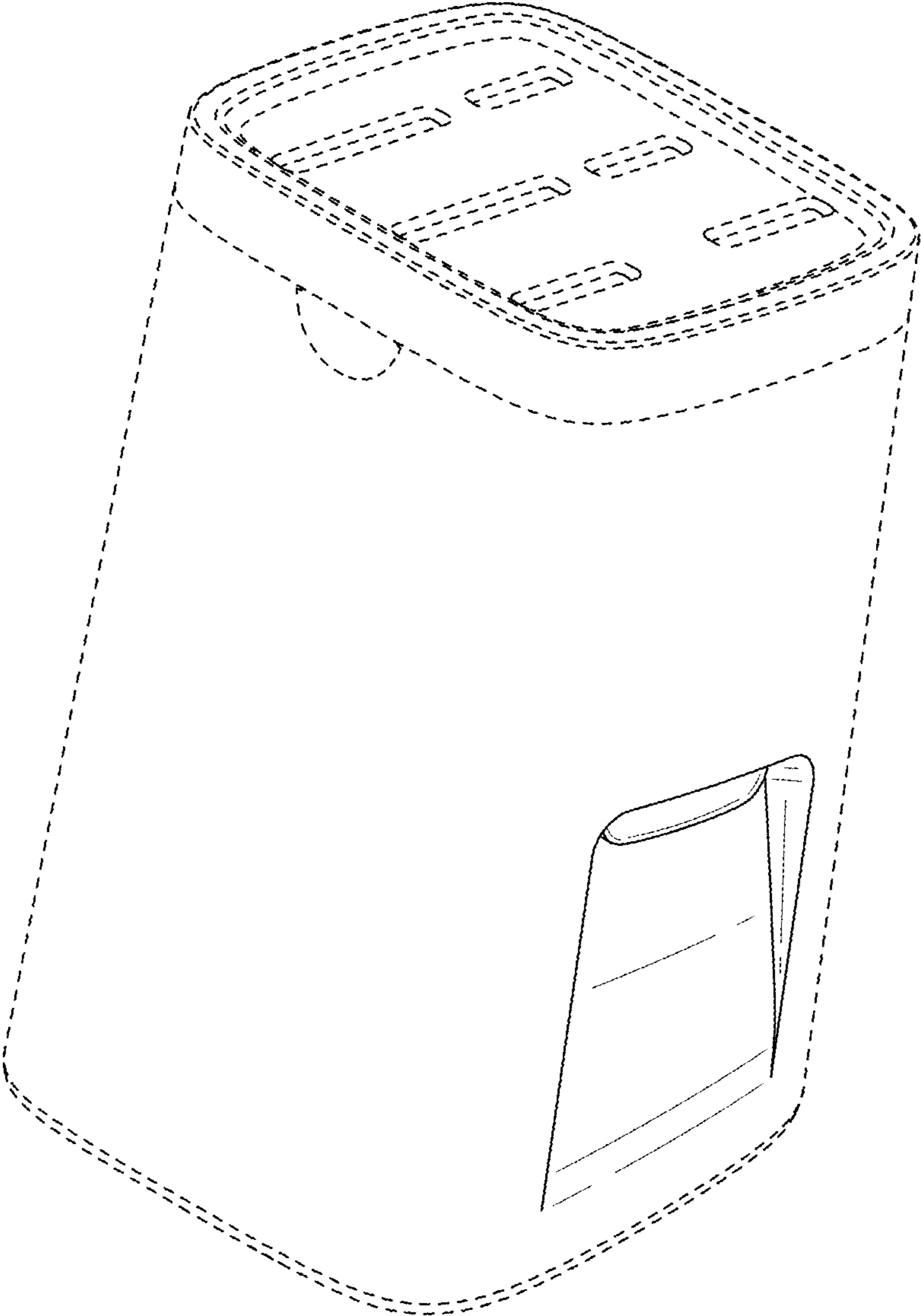


FIG. 1

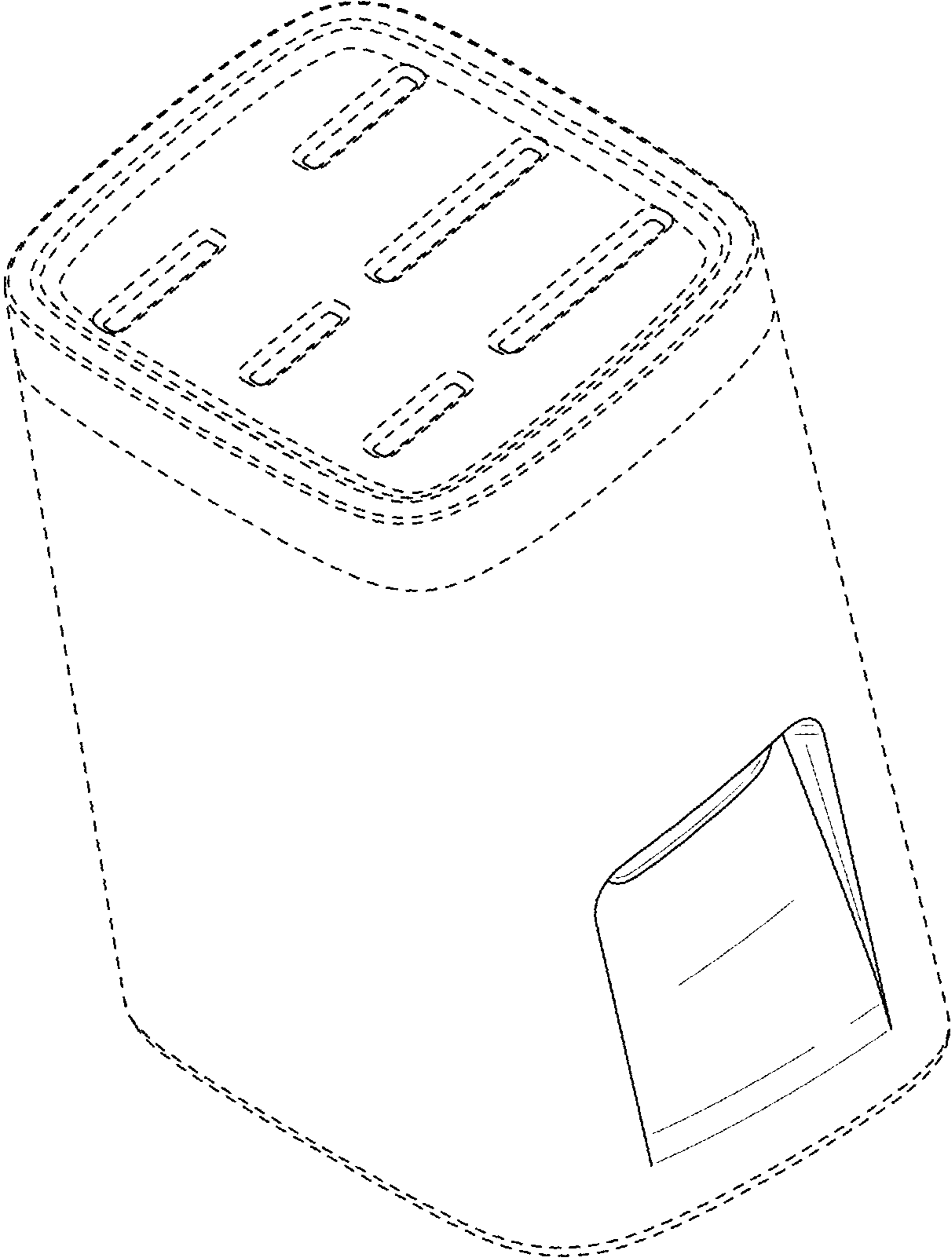


FIG. 2

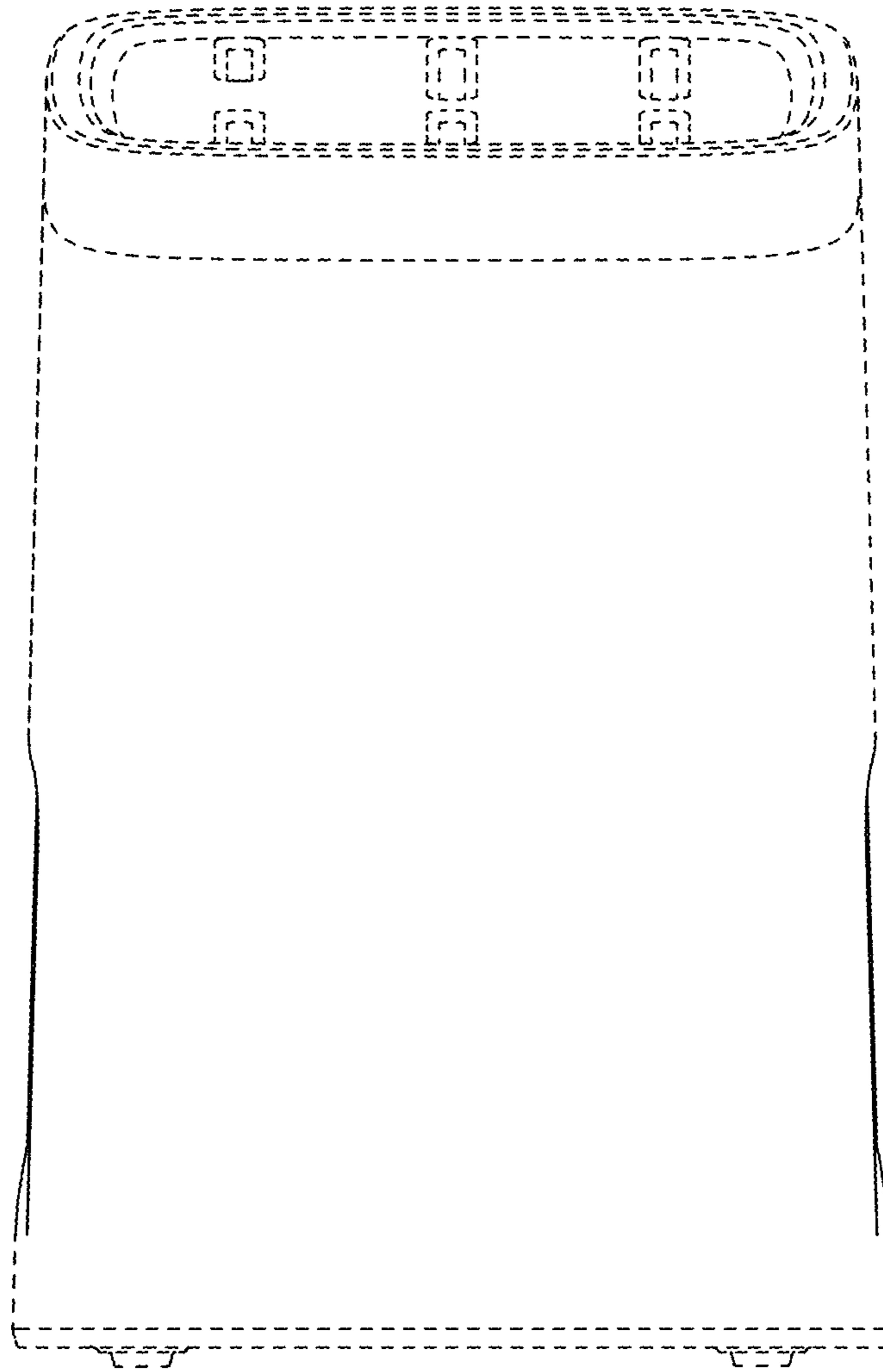


FIG. 3

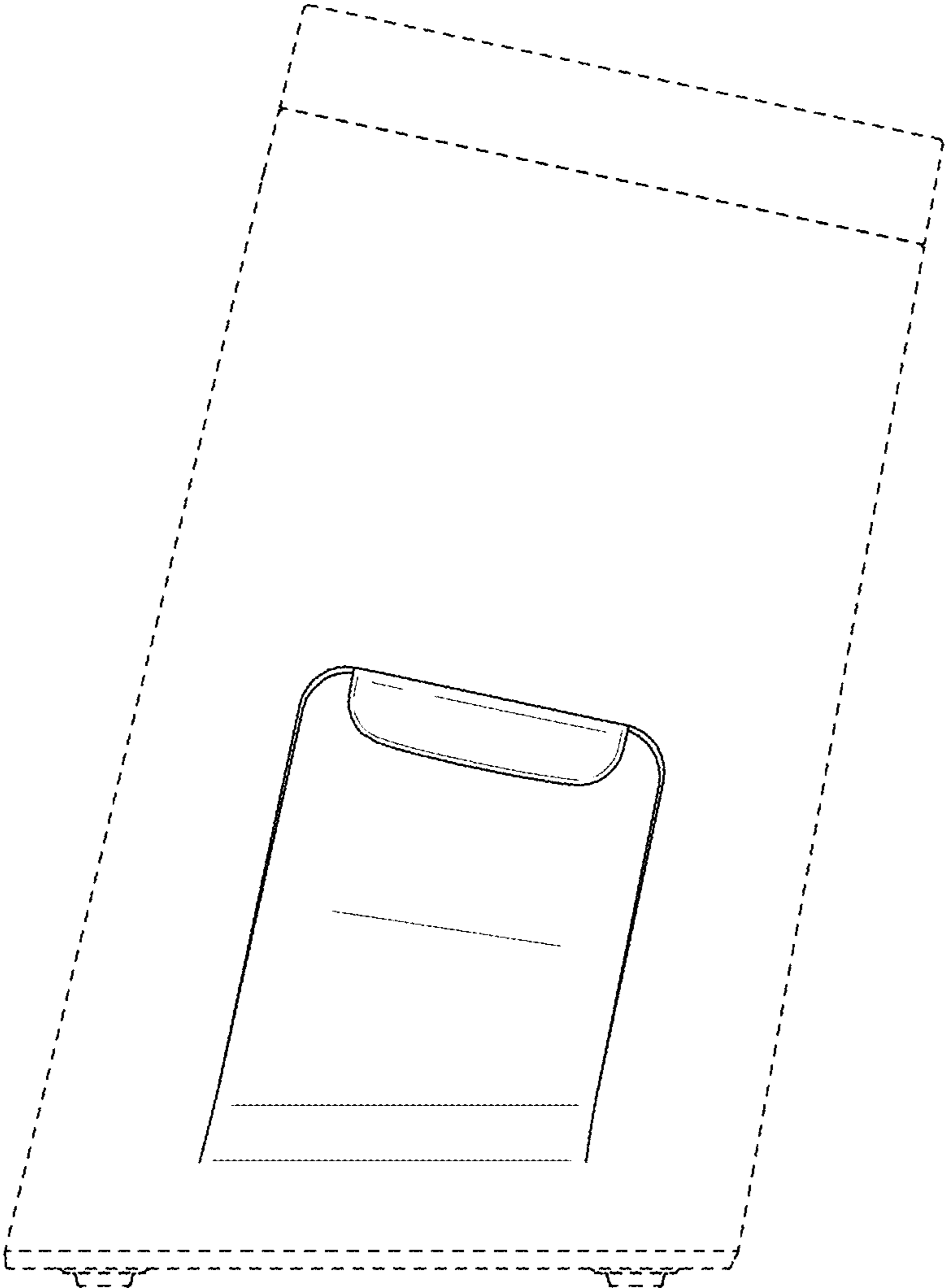


FIG. 4

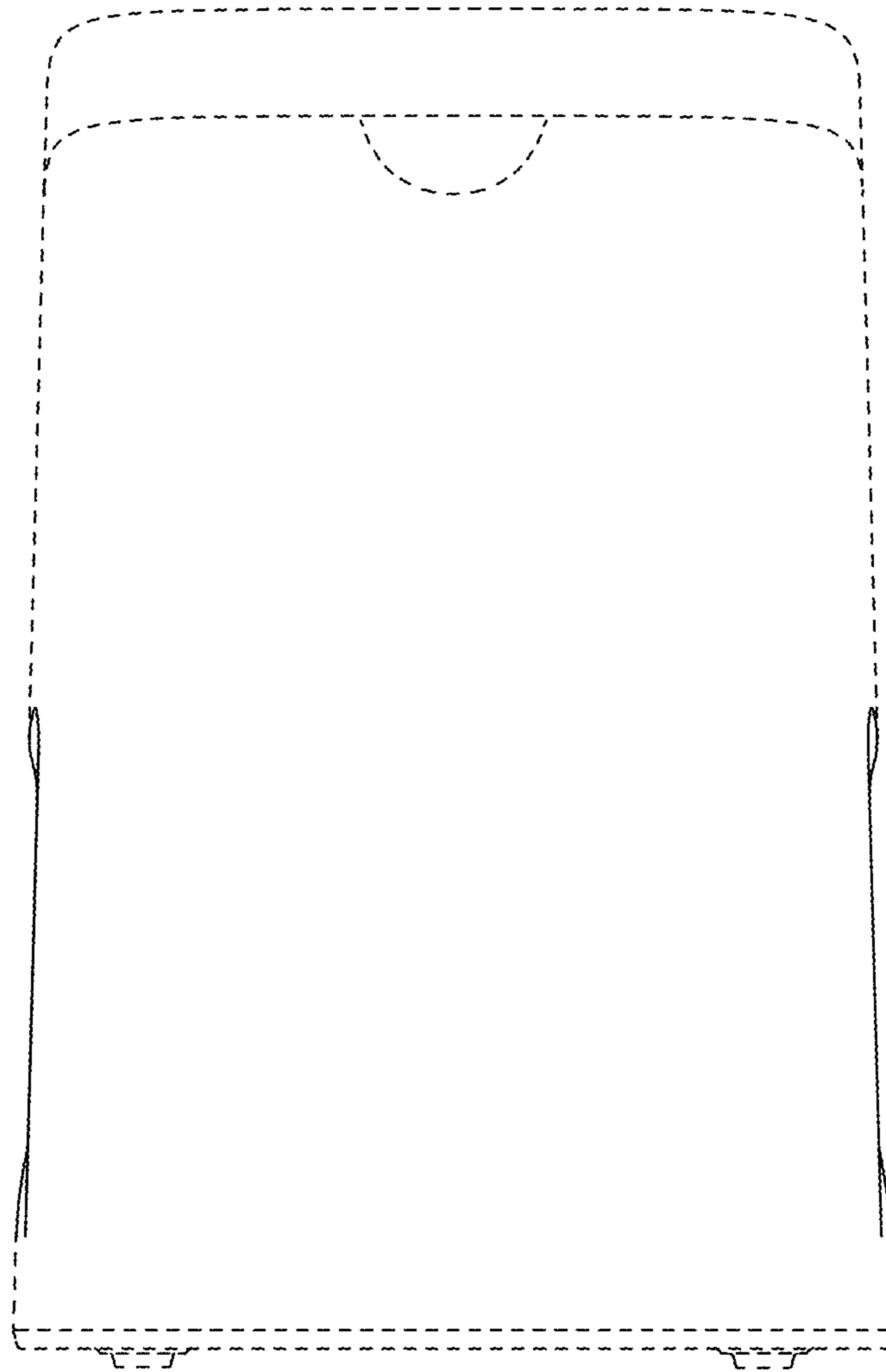


FIG. 5

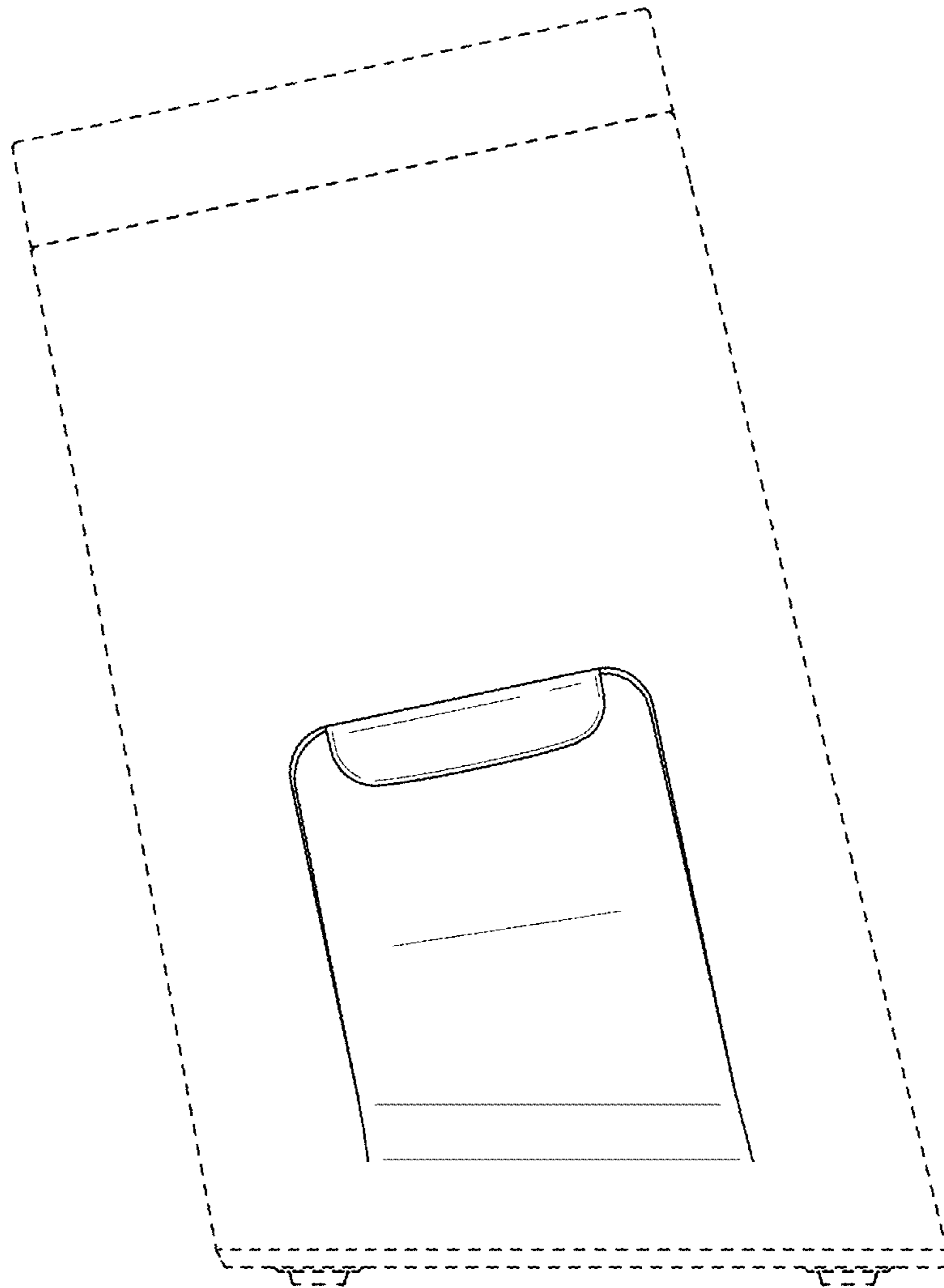


FIG. 6

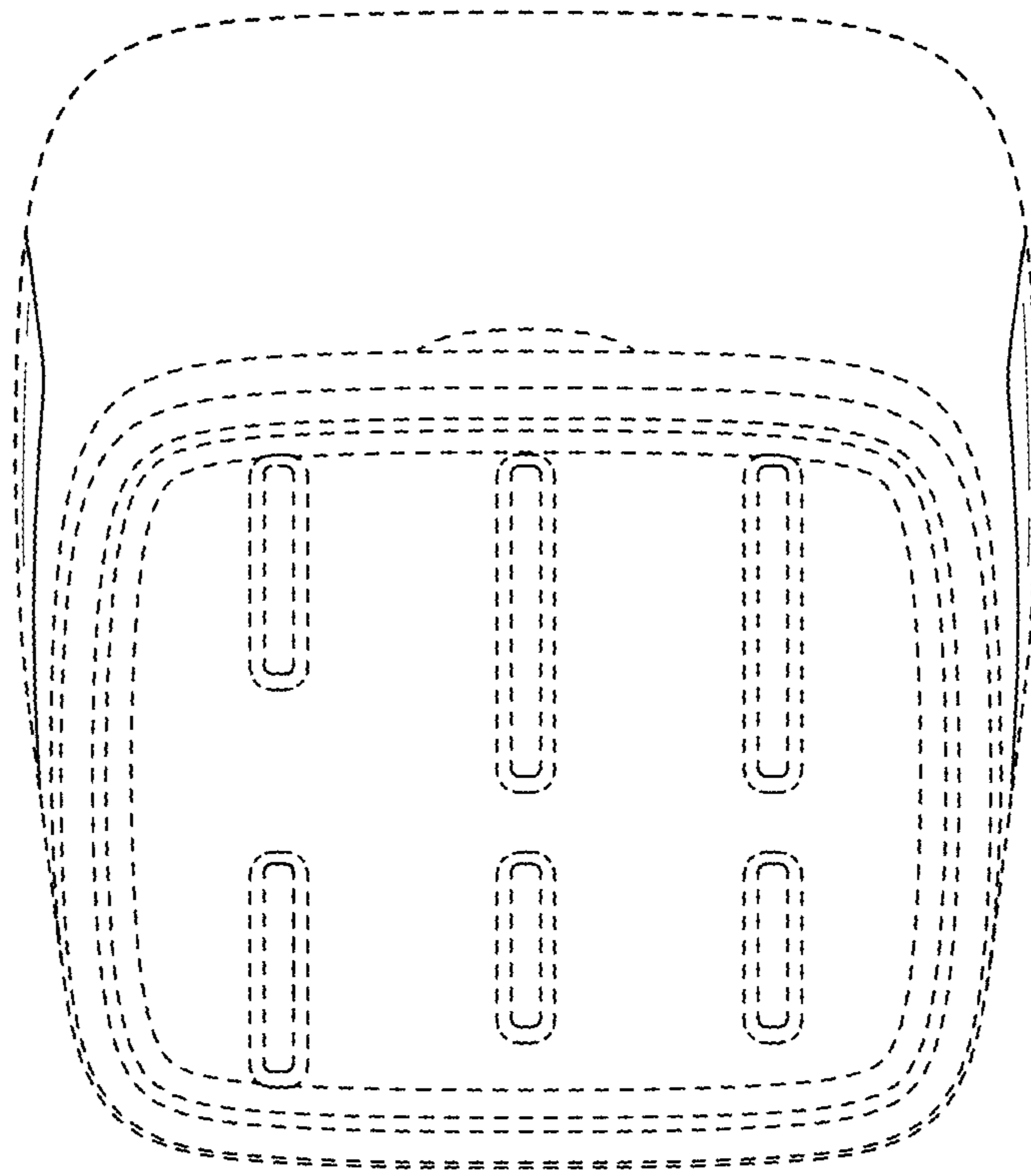


FIG. 7

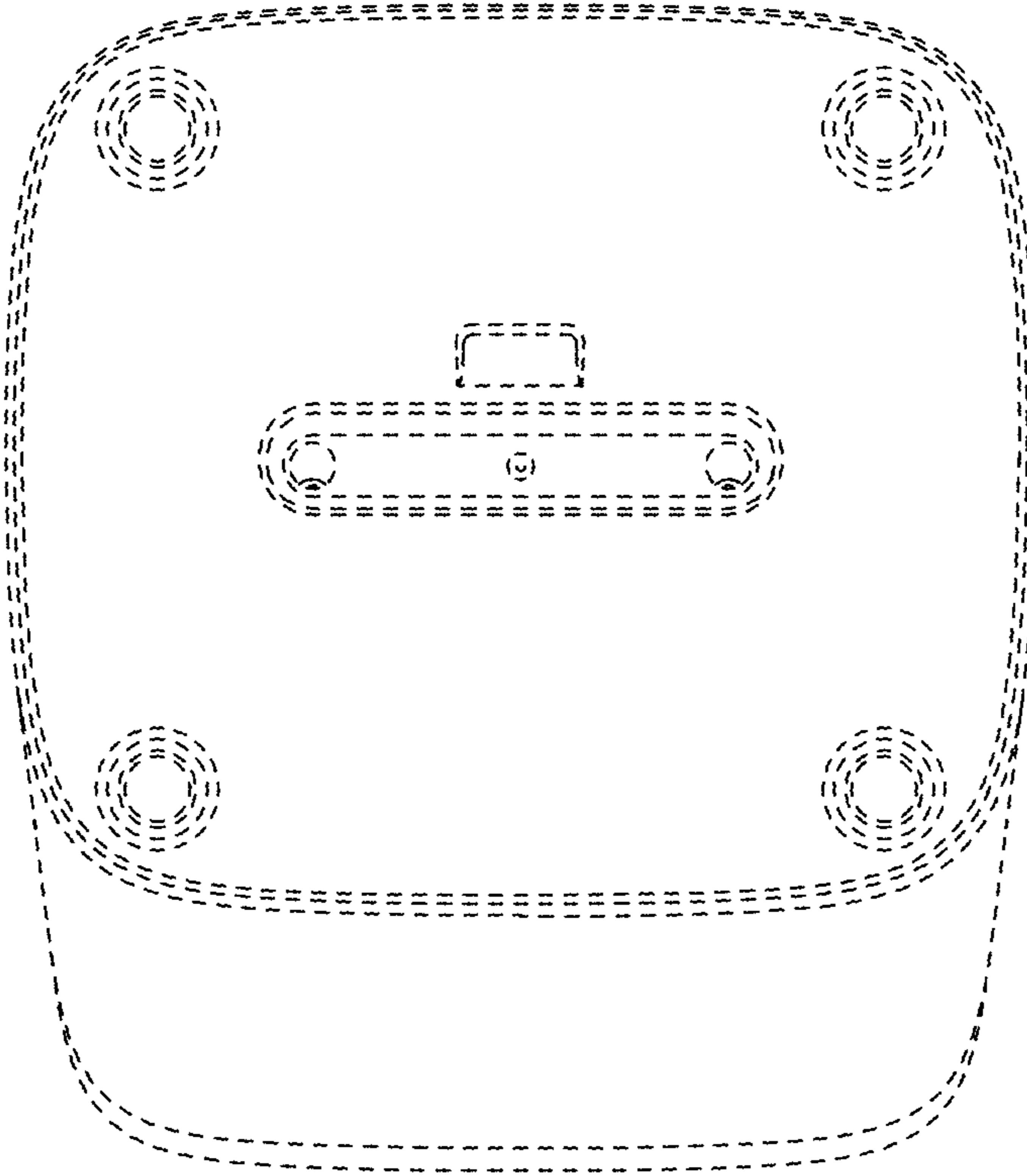


FIG. 8