



US00D777530S

(12) **United States Design Patent**  
**Marret**

(10) **Patent No.:** **US D777,530 S**

(45) **Date of Patent:** **\*\* Jan. 31, 2017**

(54) **CONTAINER WITH LATCH**

(71) Applicant: **MON BENTO**, Clermont-Ferrand (FR)

(72) Inventor: **Fabien Marret**, Central (HK)

(73) Assignee: **MON BENTO**, Clermont-Ferrand (FR)

(\*\*) Term: **14 Years**

(21) Appl. No.: **29/512,400**

(22) Filed: **Dec. 18, 2014**

(30) **Foreign Application Priority Data**

Jun. 20, 2014 (EP) ..... 002487033-0002

(51) **LOC (10) Cl.** ..... **07-01**

(52) **U.S. Cl.**  
USPC ..... **D7/629**

(58) **Field of Classification Search**  
USPC ..... D7/629, 602, 630, 538-542, 601;  
D9/415-419, 424-432  
CPC ... B65D 1/26; B65D 43/0206; B65D 43/0214;  
B65D 43/00; B65D 1/00; B65D  
1/22; B65D 1/32; B65D 1/14; B65D 1/24;  
B65D 1/34; B65D 3/00; B65D  
3/02; B65D 3/28; B65D 5/00; B65D  
5/0085; B65D 5/009; B65D 5/18; B65D  
7/00; B65D 7/02; B65D 11/00; B65D  
11/02; B65D 11/10; B65D 39/00; A47J  
47/02; A47J 47/08; A47J 47/10; A47G  
19/00; A47G 19/32  
See application file for complete search history.

(56) **References Cited**

**U.S. PATENT DOCUMENTS**

D115,160 S \* 6/1939 Stopa ..... D15/89  
D163,649 S \* 6/1951 Smoot ..... D28/8  
D269,249 S \* 6/1983 Cillario ..... D9/424

D269,313 S \* 6/1983 Swett ..... D7/505  
D345,305 S \* 3/1994 Host ..... D9/423  
D418,749 S \* 1/2000 Chang ..... D7/602  
D481,910 S \* 11/2003 Kim ..... D7/629  
D526,857 S \* 8/2006 Littmann ..... D7/629  
D527,227 S \* 8/2006 Bertulis ..... D7/629  
D534,423 S \* 1/2007 Tanner ..... D9/426  
D547,130 S \* 7/2007 de Groote ..... D7/609  
D563,174 S \* 3/2008 O'Neil ..... D7/360  
D566,484 S \* 4/2008 George ..... D3/294  
D577,549 S \* 9/2008 Plante ..... D7/538  
D600,979 S \* 9/2009 Chen ..... D7/538  
D601,383 S \* 10/2009 Shah ..... D7/538

(Continued)

*Primary Examiner* — Ian Simmons

*Assistant Examiner* — Shannon Morgan

(74) *Attorney, Agent, or Firm* — Stephen J. Weyer, Esq.;  
Stites & Harbison, PLLC.

(57) **CLAIM**

The ornamental design for a container with latch, as shown and described.

**DESCRIPTION**

FIG. 1 is a perspective view taken from the top, front, and left side of the container with latch of the present invention. FIG. 2 is a front elevation view of the container with latch of FIG. 1.

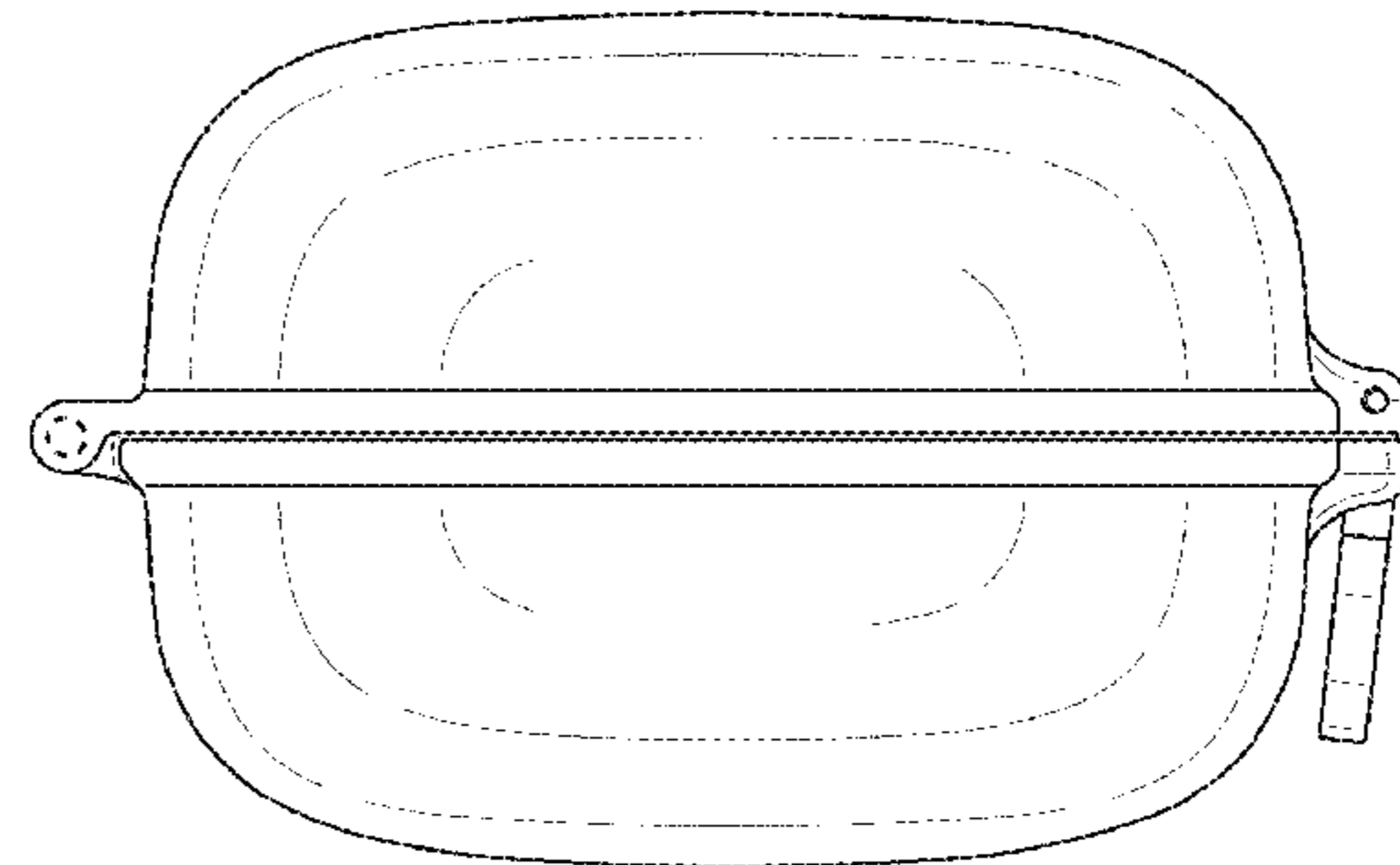
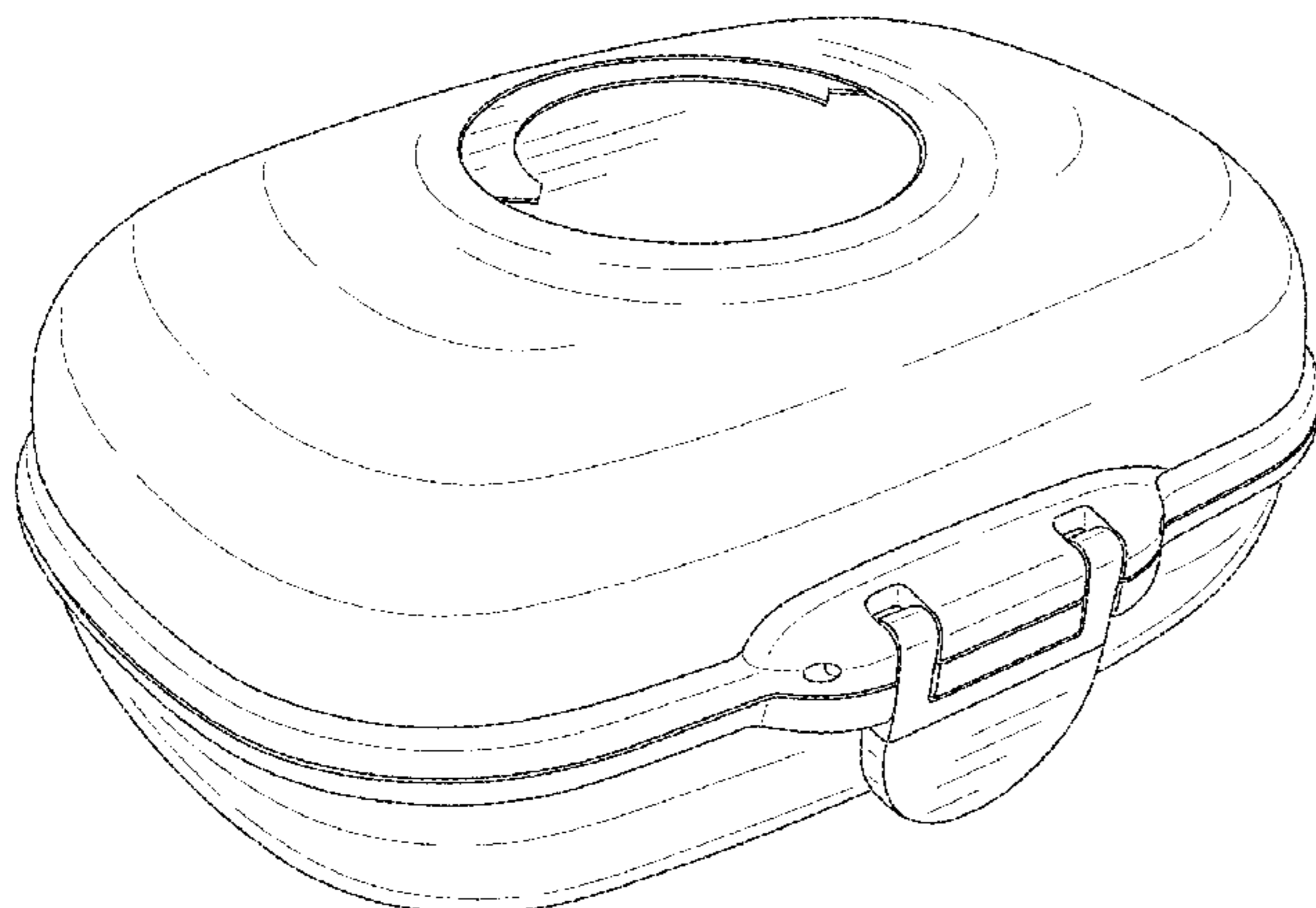
FIG. 3 is a left side elevation view of the container with latch of FIG. 1, the opposite side being a mirror image thereof. FIG. 4 is a rear elevation view of the container with latch of FIG. 1.

FIG. 5 is a top plan view of the container with latch of FIG. 1; and,

FIG. 6 is a bottom plan view of the container with latch of FIG. 1.

The broken lines shown in FIGS. 3-6 represent portions of the container with latch that form no part of the claimed design.

**1 Claim, 6 Drawing Sheets**



(56)

**References Cited**

U.S. PATENT DOCUMENTS

D608,592	S	*	1/2010	Curtin	.....	D7/392.1
D617,149	S	*	6/2010	Olivari	.....	D7/629
D623,515	S	*	9/2010	Gordon	.....	D9/432
D628,021	S	*	11/2010	Curtin	.....	D7/629
D642,868	S	*	8/2011	Shah	.....	D7/538
D649,407	S	*	11/2011	Neuhaus	.....	D7/609
D651,476	S	*	1/2012	Hauser	.....	D7/629
D653,915	S	*	2/2012	George	.....	D7/629
D660,092	S	*	5/2012	Kyung	.....	D7/629
D688,920	S	*	9/2013	Manley	.....	D7/629
D692,281	S	*	10/2013	George	.....	D7/629
D708,913	S	*	7/2014	Ng	.....	D7/629
D733,503	S	*	7/2015	Bagley	.....	D7/629
D736,569	S	*	8/2015	Bronwasser	.....	D7/629
D741,114	S	*	10/2015	Weernink	.....	D7/629
D741,665	S	*	10/2015	Bagley	.....	D7/629
D743,751	S	*	11/2015	Stokke	.....	D7/629
2006/0124648	A1	*	6/2006	Croft	.....	B65D 1/24 220/521

\* cited by examiner

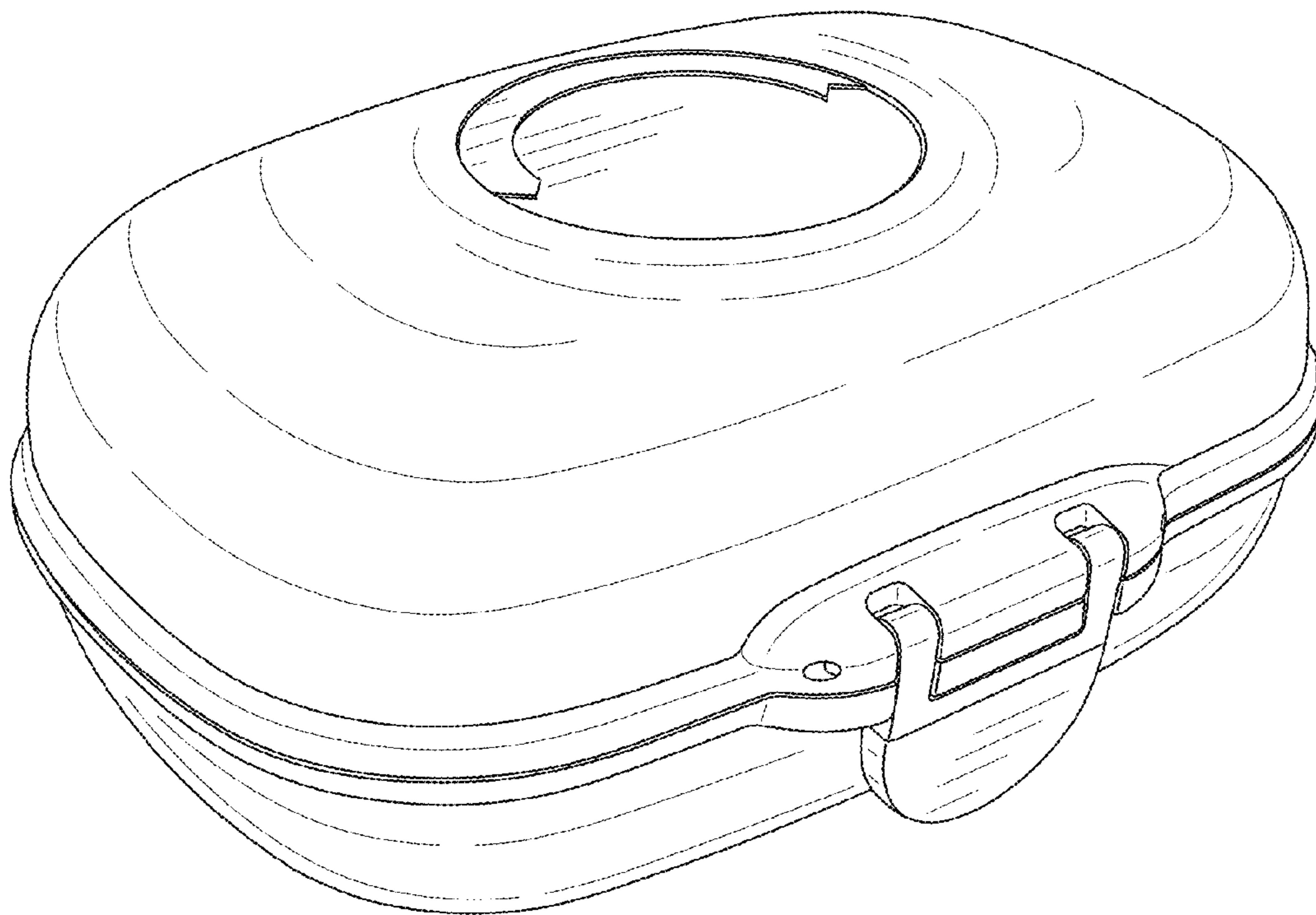


FIG. 1

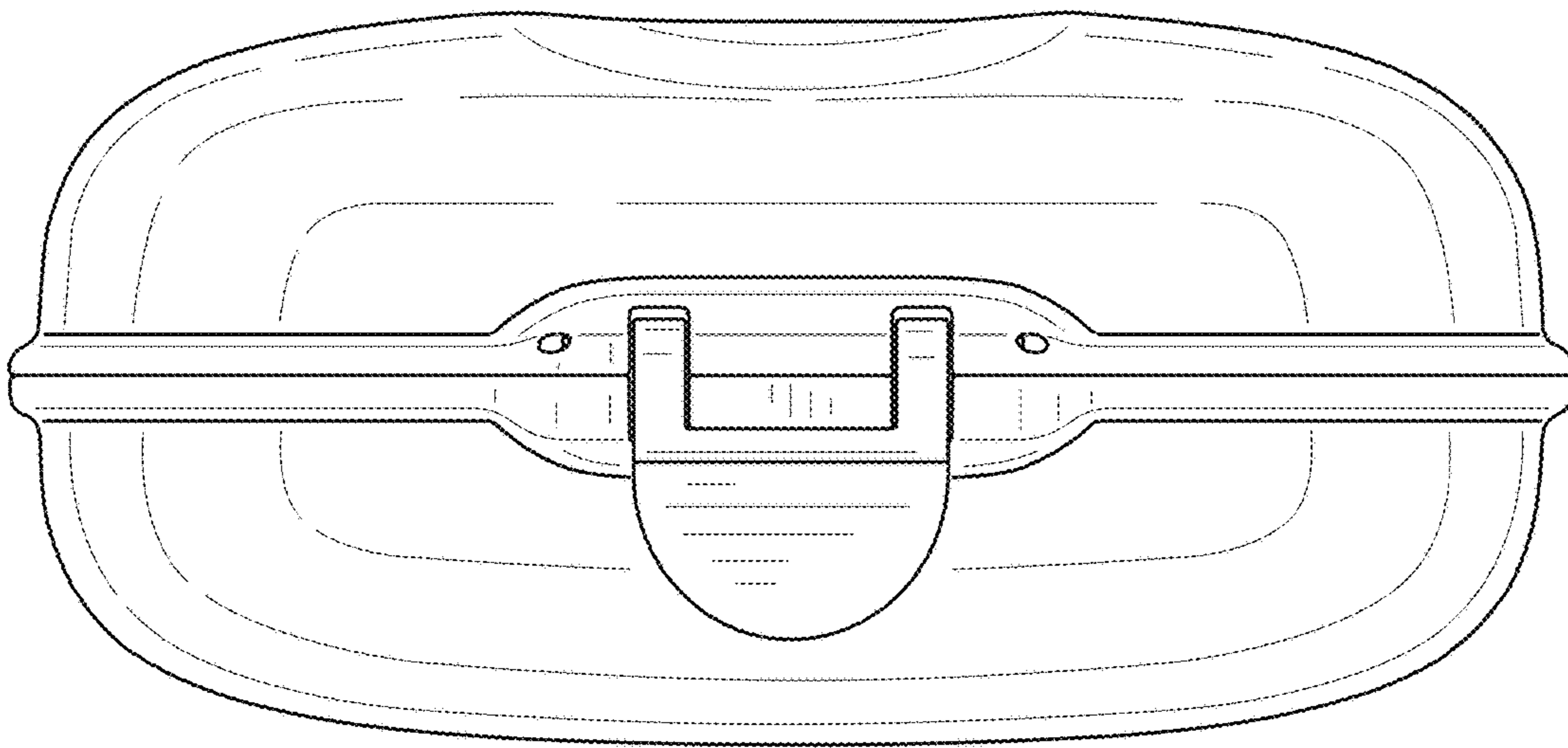


FIG. 2

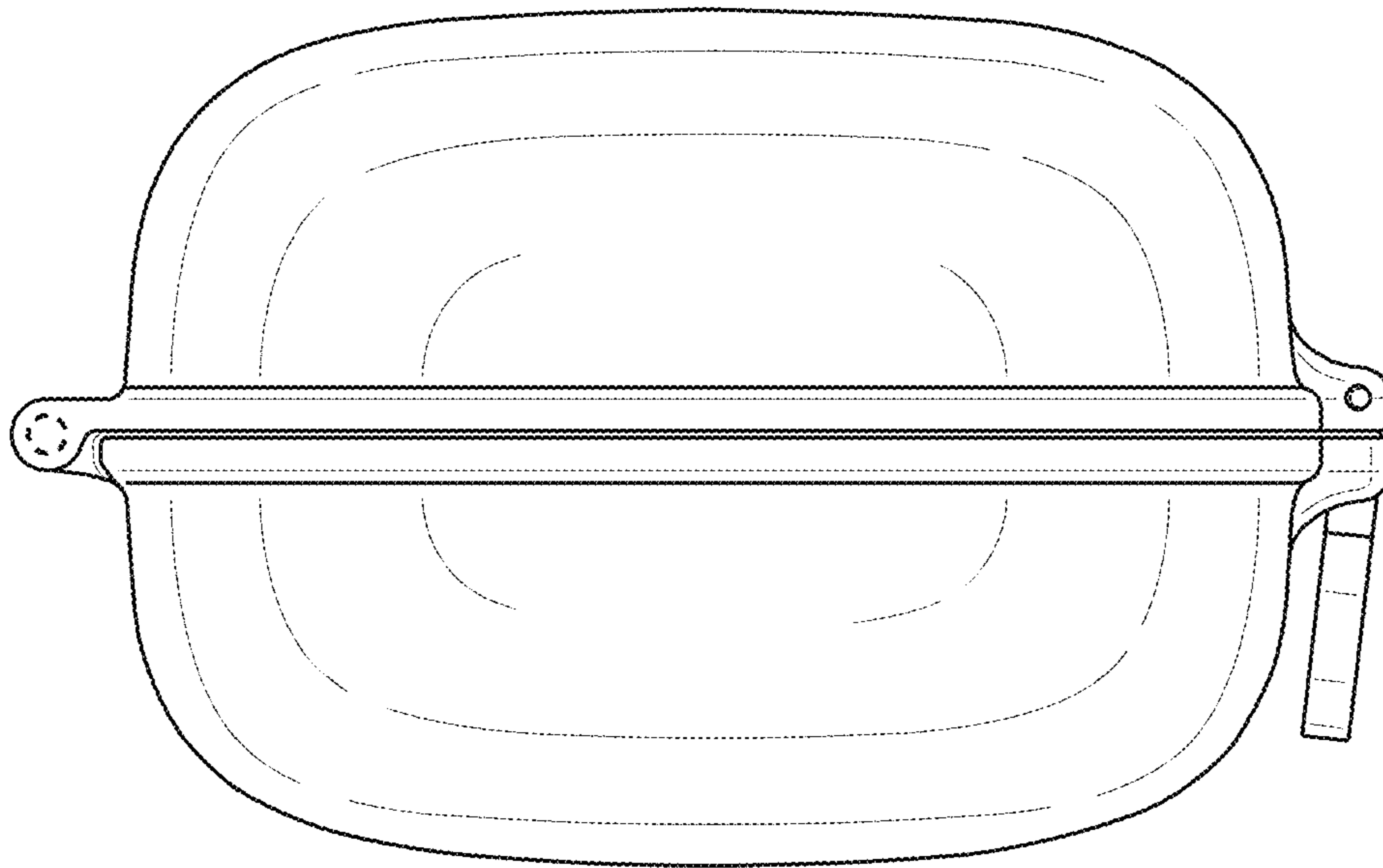


FIG. 3

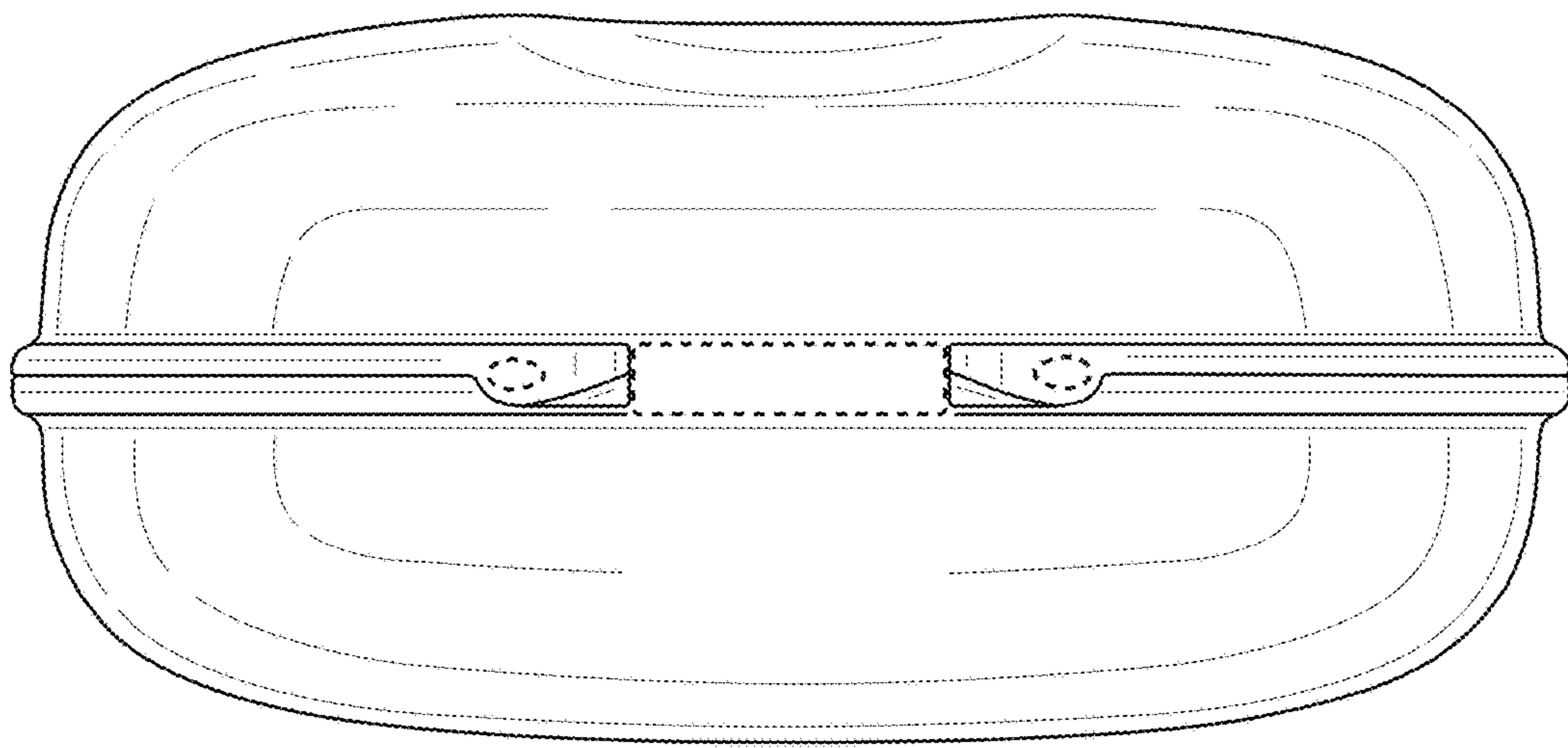


FIG. 4

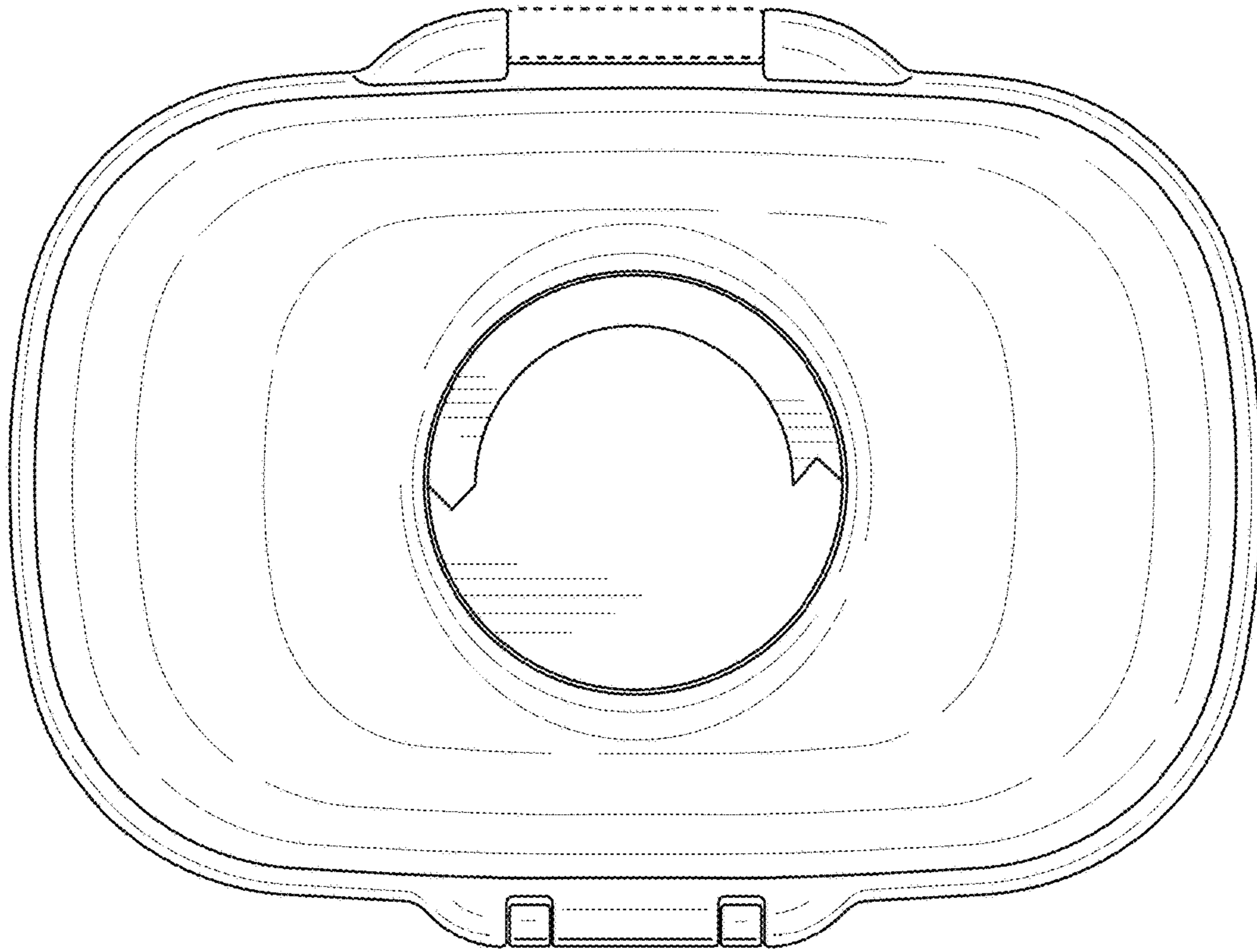


FIG. 5

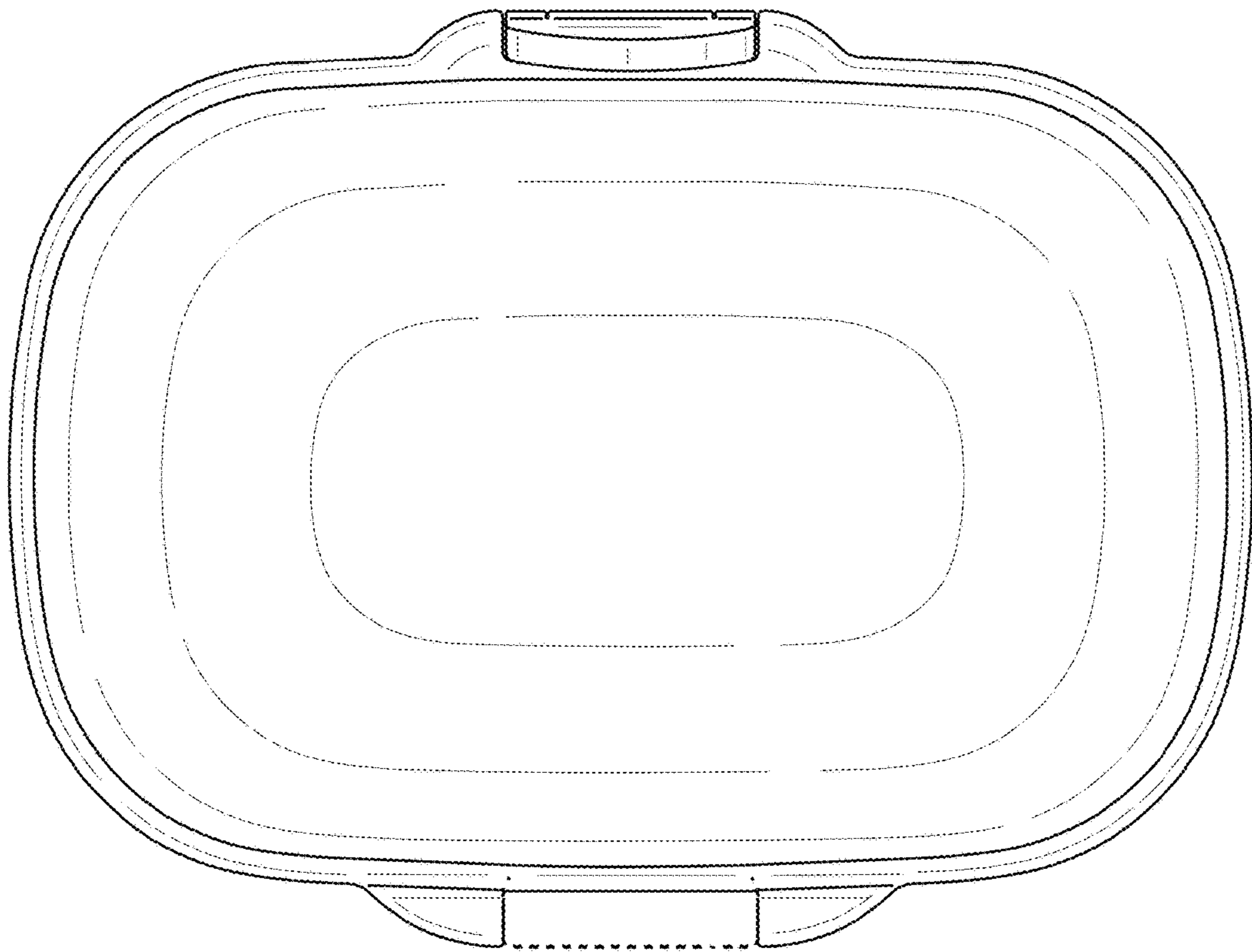


FIG. 6



UNITED STATES PATENT AND TRADEMARK OFFICE  
**CERTIFICATE OF CORRECTION**

PATENT NO. : D777,530 S  
APPLICATION NO. : 29/512400  
DATED : January 31, 2017  
INVENTOR(S) : Marret et al.

Page 1 of 1

It is certified that error appears in the above-identified patent and that said Letters Patent is hereby corrected as shown below:

On the Title Page

Please correct:

**“(30) Foreign Application Priority Data**

June 20, 2014 (EP).....002487033-0002”

To:

**-- (30) Foreign Application Priority Data**

June 20, 2014 (EM).....002487033-0002 --

Signed and Sealed this  
Thirtieth Day of May, 2017



Michelle K. Lee  
*Director of the United States Patent and Trademark Office*