



US00D777529S

(12) **United States Design Patent**  
**Kellow, Jr.**

(10) **Patent No.:** **US D777,529 S**

(45) **Date of Patent:** **\*\* Jan. 31, 2017**

(54) **HOLDER**

(71) Applicant: **Bethrick, Inc.**, Slinger, WI (US)

(72) Inventor: **Richard A. Kellow, Jr.**, Slinger, WI (US)

(73) Assignee: **Bethrick, Inc.**, Slinger, WI (US)

(\*\*) Term: **15 Years**

(21) Appl. No.: **29/528,637**

(22) Filed: **May 29, 2015**

(51) **LOC (10) Cl.** ..... **07-06**

(52) **U.S. Cl.**  
USPC ..... **D7/624.1**

(58) **Field of Classification Search**  
USPC ..... D7/601, 602, 619.1, 620, 701, 708.1,  
D7/624.1, 624.2; D3/202, 229; D12/419,  
D12/420; 220/737; 228/309.1, 310, 311.2,  
228/313; 297/188.14, 188.18  
CPC ..... A47B 55/00; A47B 55/02; A47B 73/00;  
A47B 73/002; A47B 73/004; A47B  
73/006; A47B 73/008; A47B  
69/00; A47G 23/0266; B65D  
81/18; B65D 81/3876; B65D 81/3886  
See application file for complete search history.

(56) **References Cited**

**U.S. PATENT DOCUMENTS**

D507,938 S *	8/2005	Lutzker	.....	D7/619.1
D523,185 S *	6/2006	Oliphant	.....	D30/129
D667,277 S *	9/2012	Belitz	.....	D7/619.1
D667,698 S *	9/2012	Tupy	.....	D7/619.1
D679,552 S	4/2013	Housley et al.		
D679,553 S	4/2013	Williams et al.		
D704,512 S *	5/2014	Kellow, Jr.	.....	D7/553.8
D716,003 S *	10/2014	Brown	.....	D30/129
D742,698 S *	11/2015	Kellow, Jr.	.....	D7/553.8

D750,939 S *	3/2016	Kellow, Jr.	.....	D7/557
2003/0098310 A1 *	5/2003	McGee	.....	A01K 5/0114 220/574.3
2015/0008231 A1 *	1/2015	Kellow, Jr.	.....	A47G 19/065 220/575

**OTHER PUBLICATIONS**

U.S. Appl. No. 29/485,016, filed Mar. 14, 2014, Kellow, Jr., Richard A.  
U.S. Appl. No. 29/527,145, filed May 15, 2015, Kellow, Jr., Richard A.  
Turtlebacks, Screenshot of Product Collections, retrieved from the internet at: <http://turtlebacks.com/collections/all>, on May 29, 2015, 2 pages.

\* cited by examiner

*Primary Examiner* — Keli L Hill

(74) *Attorney, Agent, or Firm* — Foley & Lardner LLP

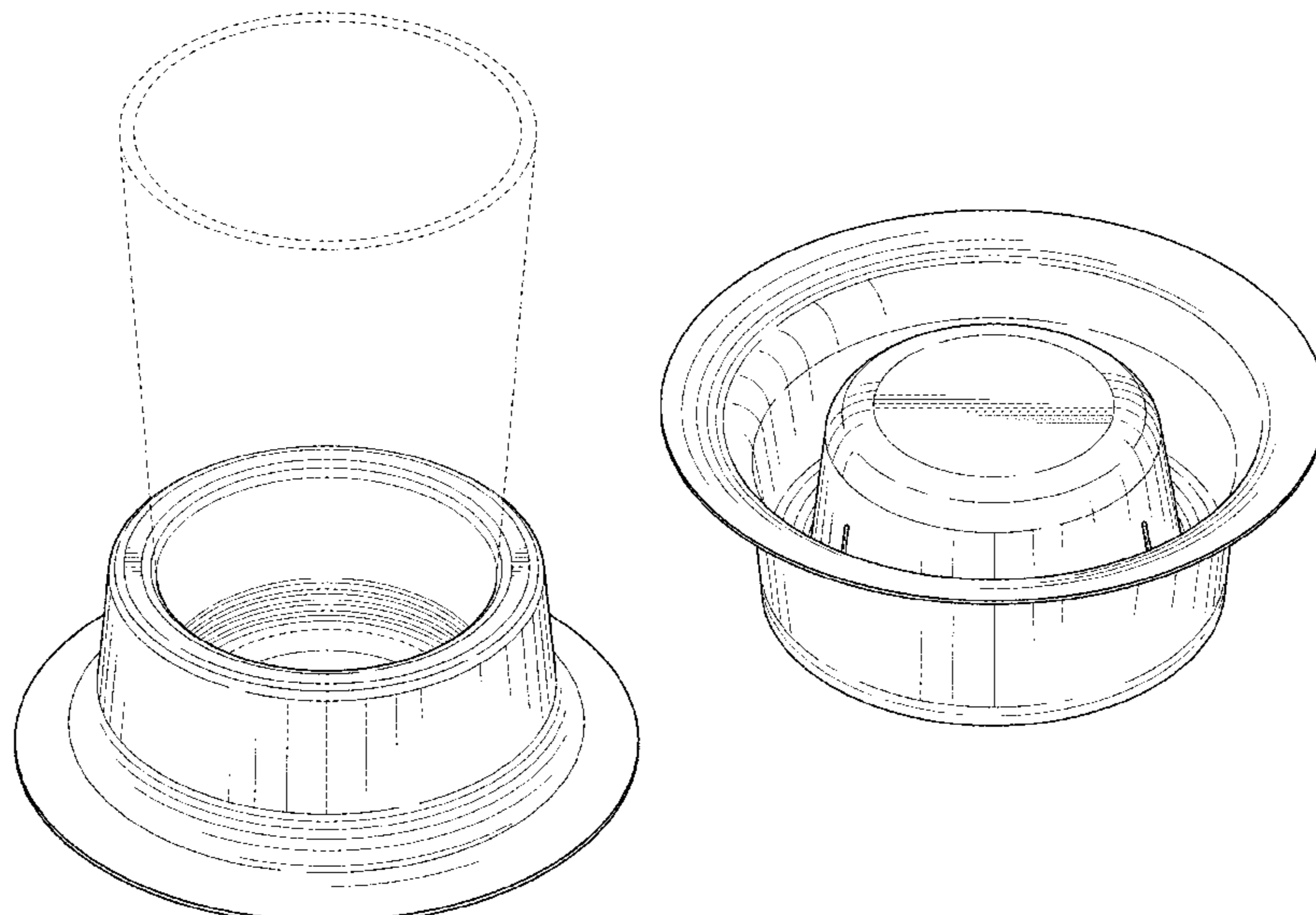
(57) **CLAIM**

I claim the ornamental design for a holder, as shown and described.

**DESCRIPTION**

FIG. 1 is a front perspective view from above of the claimed design including a beverage container as unclaimed background, according to one embodiment;  
FIG. 2 is a front perspective view of the claimed design of FIG. 1;  
FIG. 3 is a bottom perspective view of the claimed design of FIG. 1;  
FIG. 4 is a top view of the claimed design of FIG. 1;  
FIG. 5 is a bottom view of the claimed design of FIG. 1;  
FIG. 6 is a front view of the claimed design of FIG. 1, wherein the left, right, and rear views are identical to the front view; and,  
FIG. 7 is a section view of the claimed design along line 7-7 of FIG. 5.  
The broken lines in the drawings are for illustrative purposes only and form no part of the claimed design.

**1 Claim, 4 Drawing Sheets**



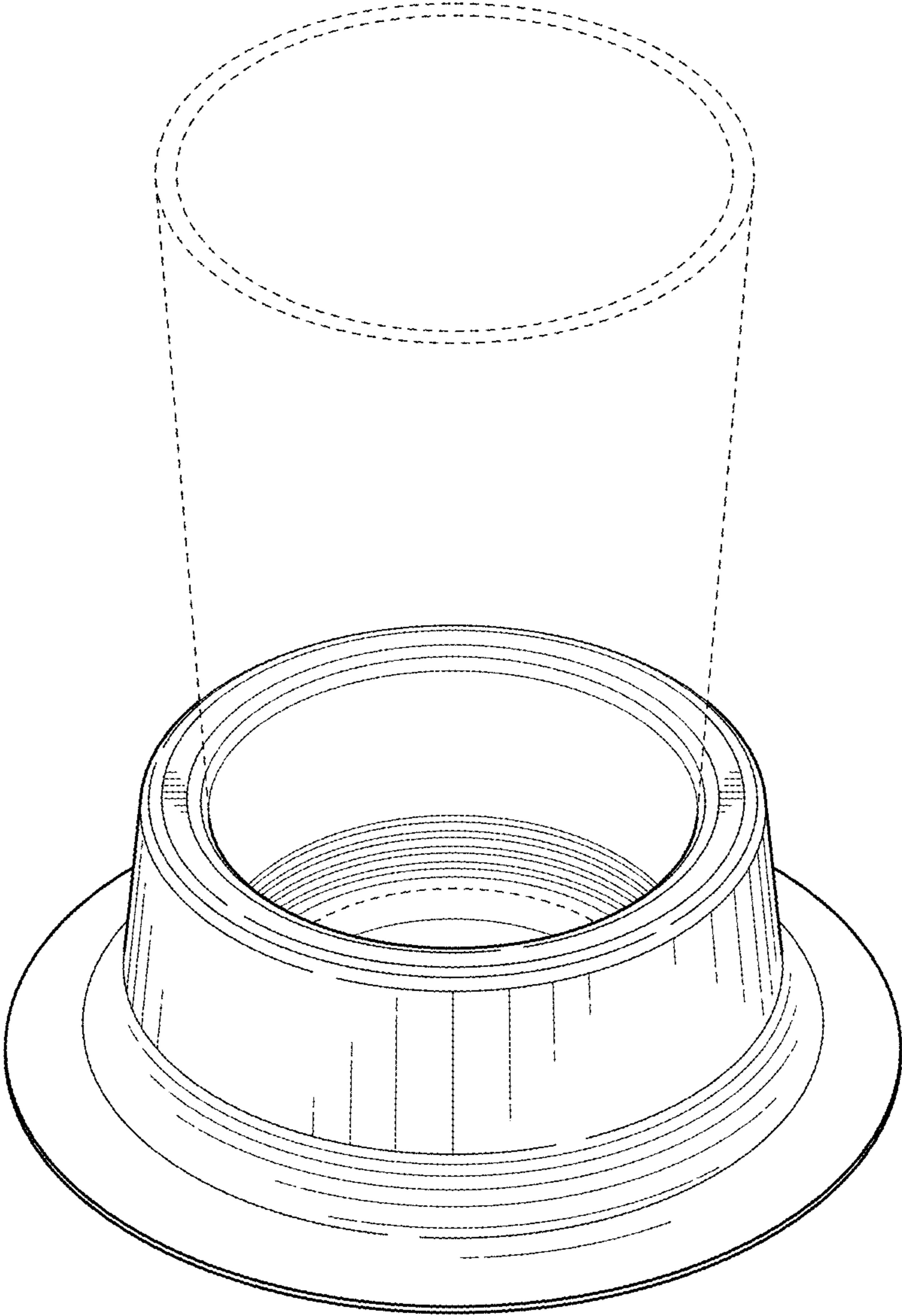


FIG. 1

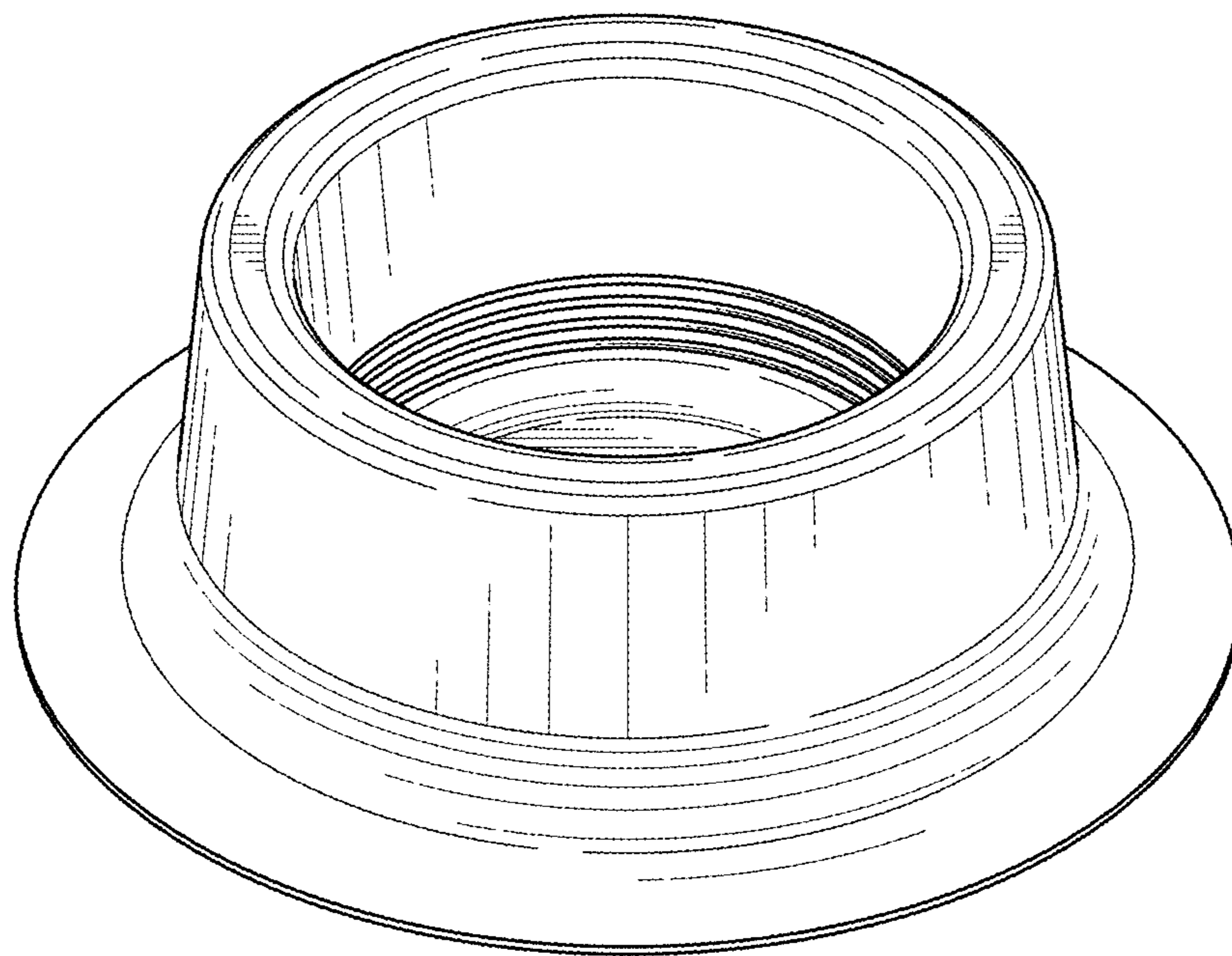


FIG. 2

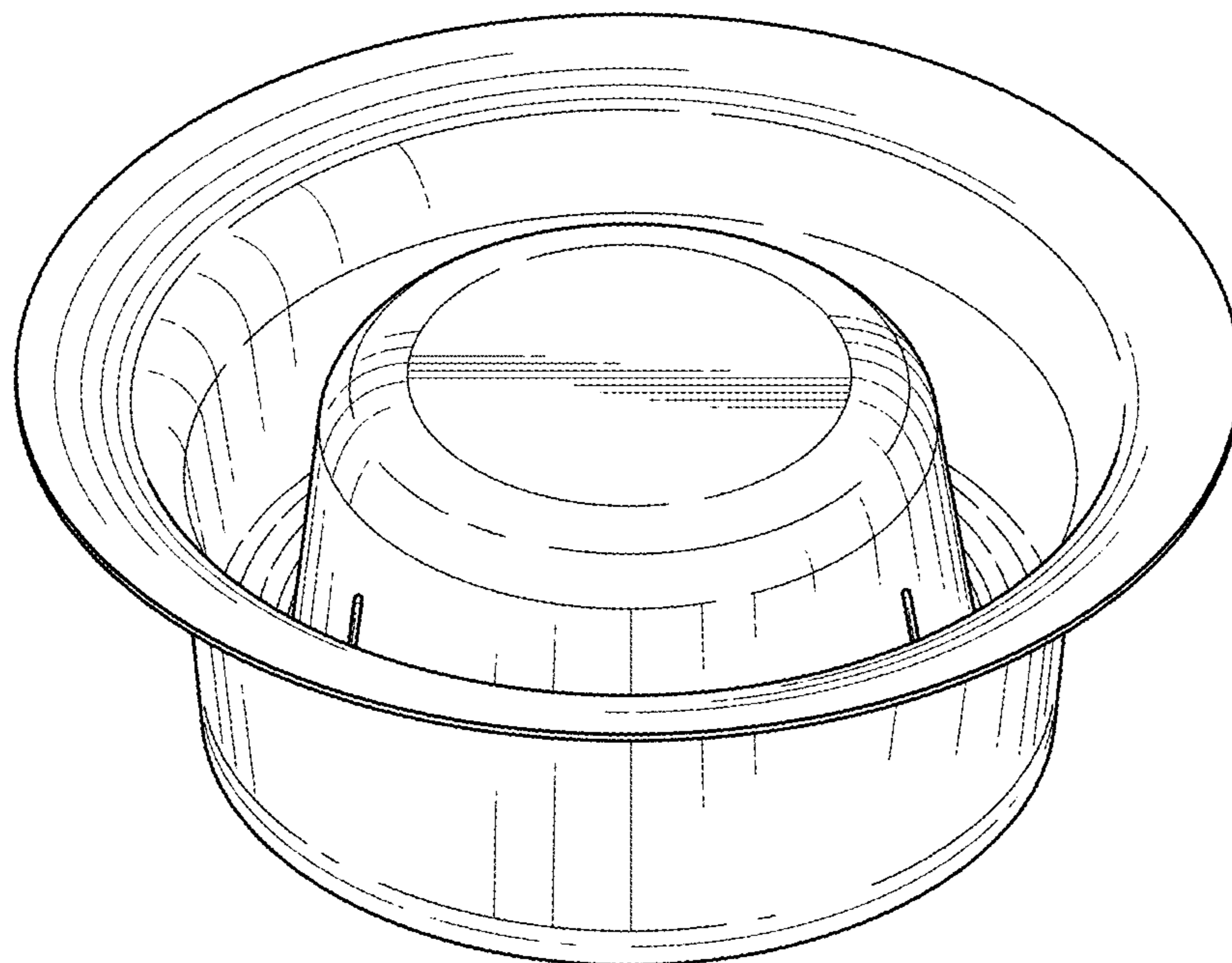


FIG. 3

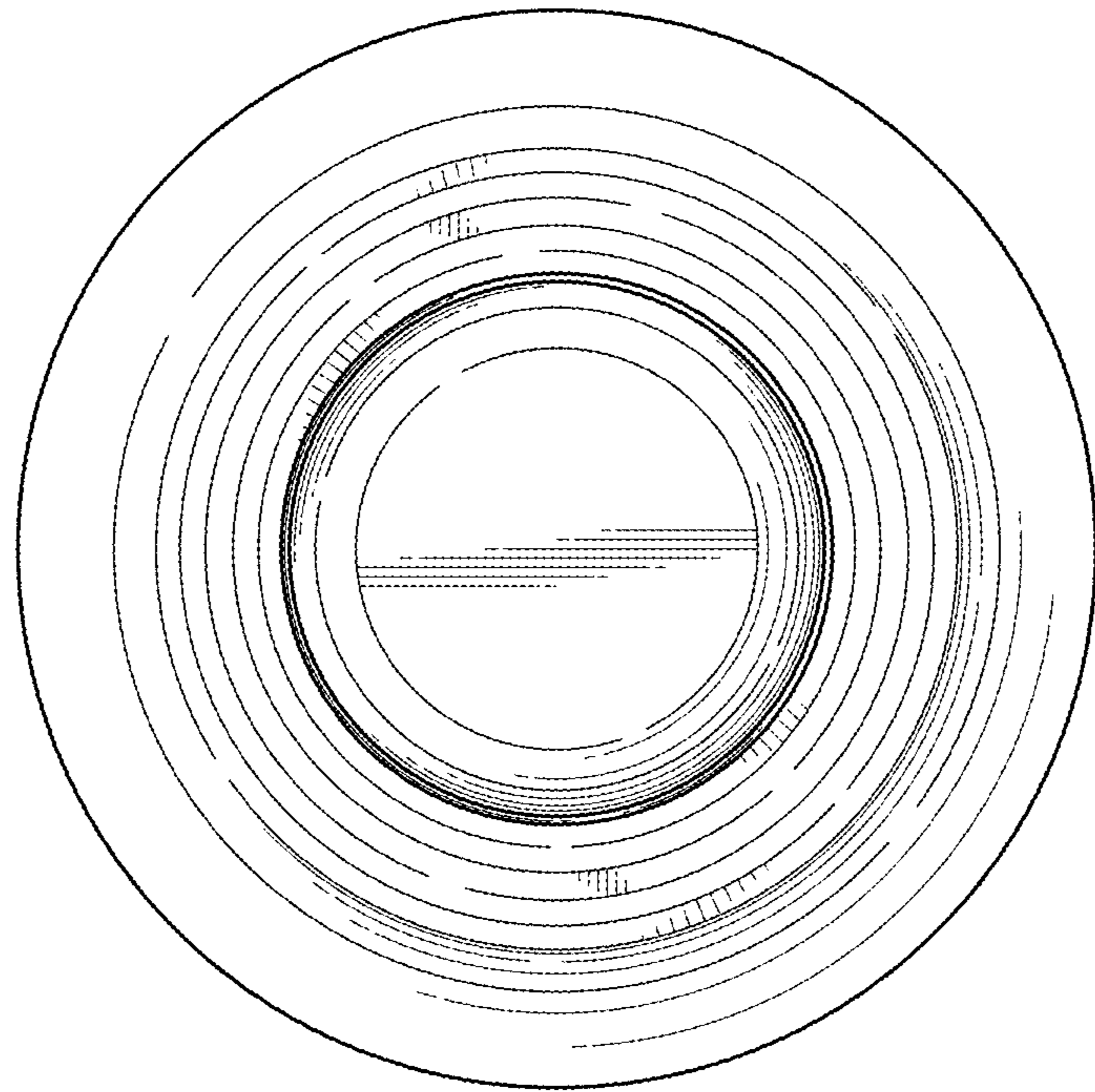


FIG. 4

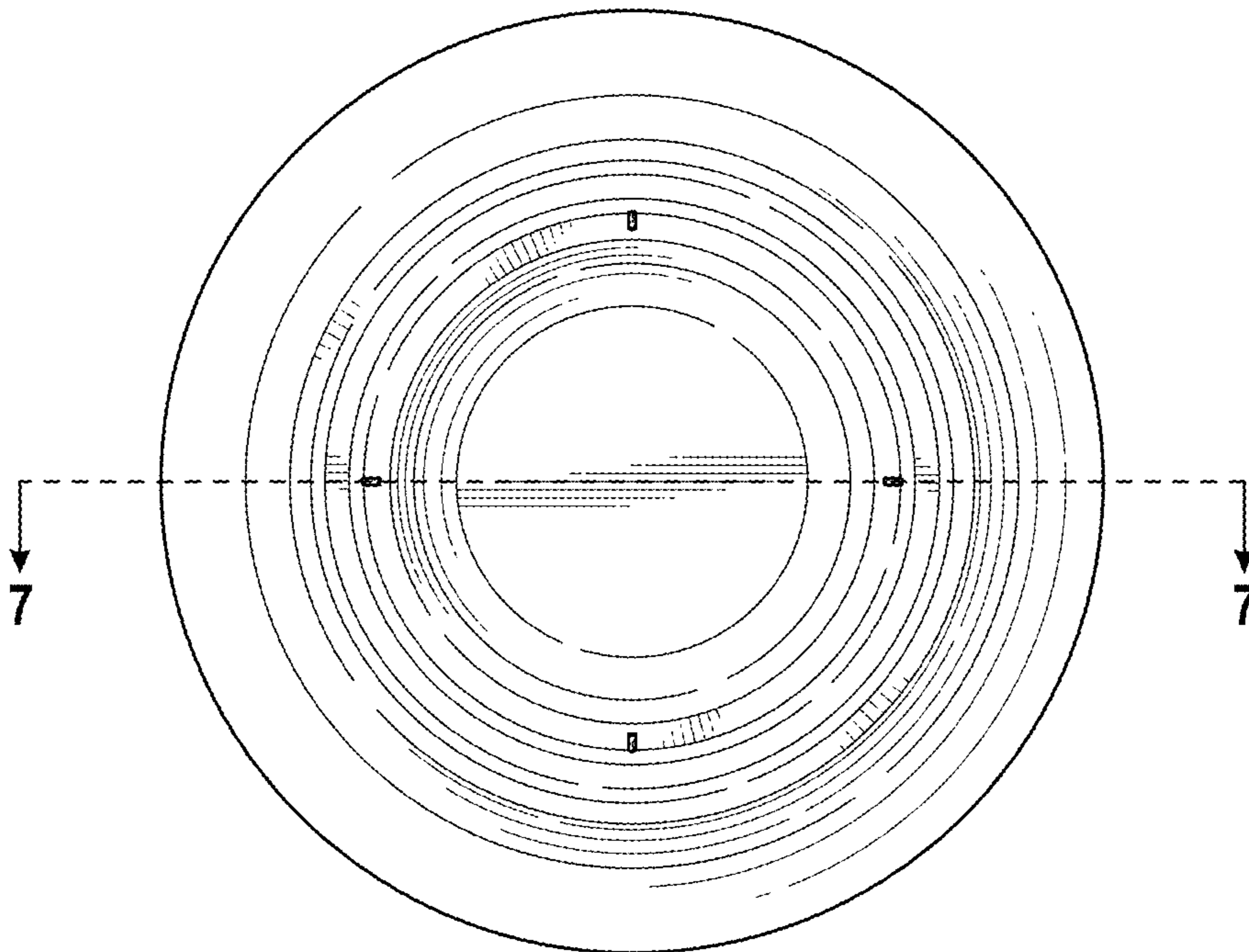


FIG. 5

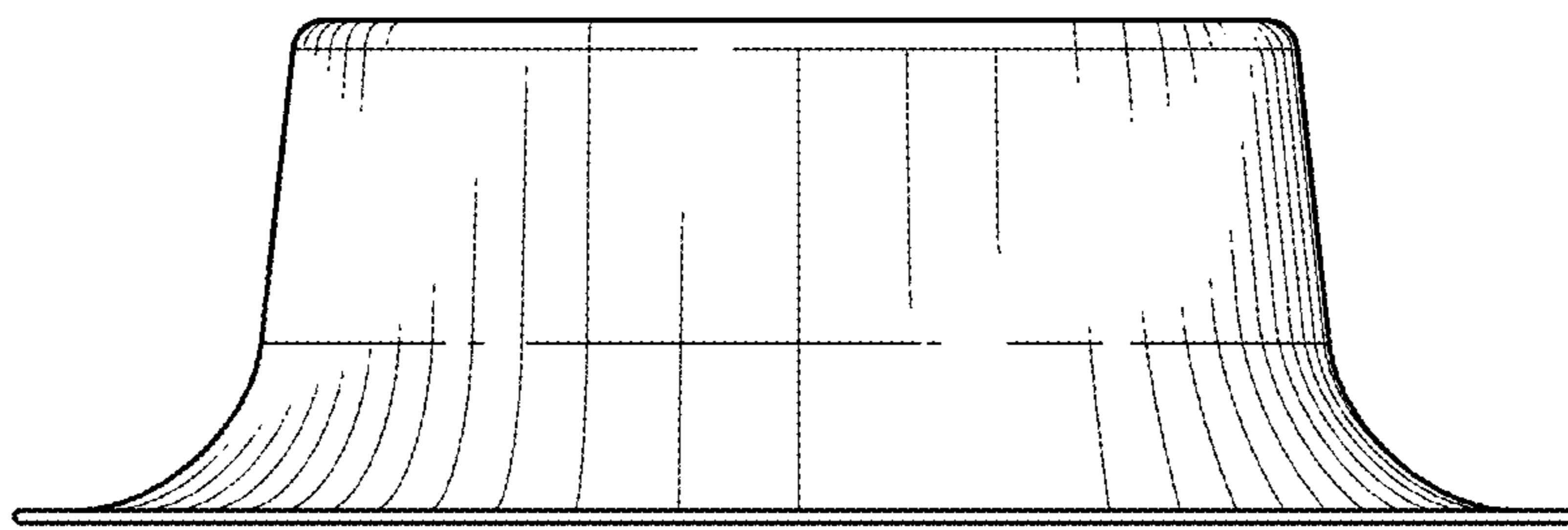


FIG. 6

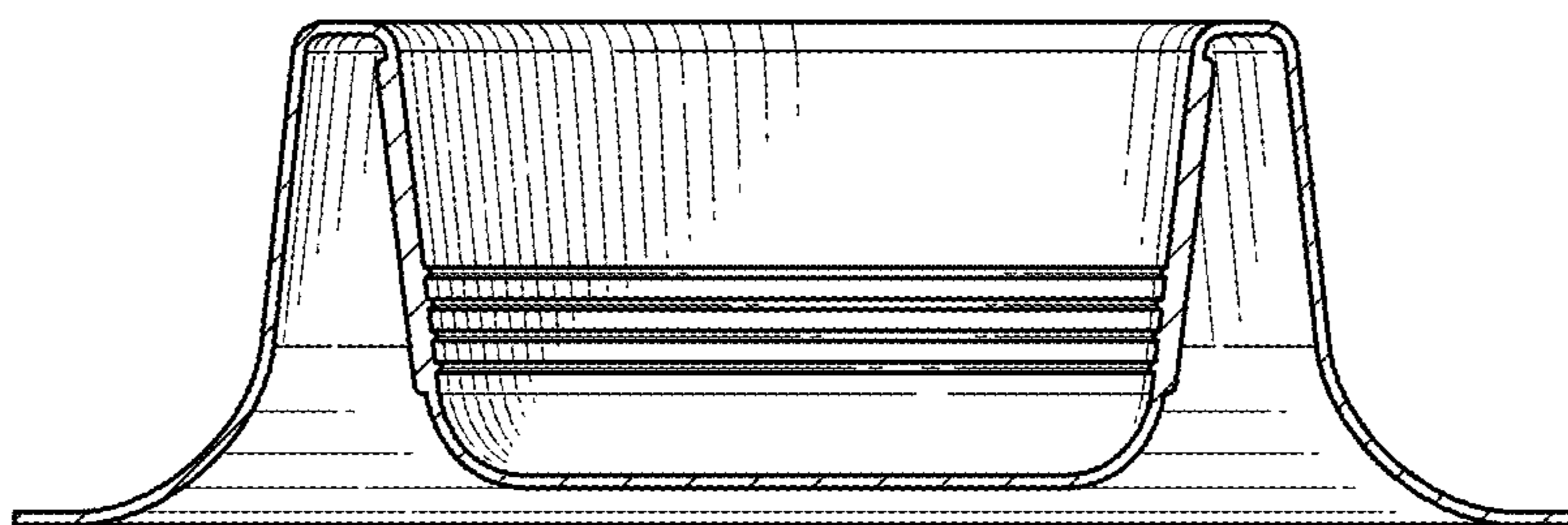


FIG. 7