



US00D777528S

(12) **United States Design Patent** (10) **Patent No.:** **US D777,528 S**  
**Landphere** (45) **Date of Patent:** **\*\* Jan. 31, 2017**

- (54) **MOUNTABLE SUBSTRATE HAVING DUAL CUP HOLDERS**
- (71) Applicant: **MyFastEddy, LLC**, Los Altos, CA (US)
- (72) Inventor: **Edward A. Landphere**, Los Altos, CA (US)
- (73) Assignee: **MYFASTEDDY, LLC**, Los Altos, CA (US)

D514,896 S *	2/2006	Wickenhauser	.....	D7/619.1
D516,393 S	3/2006	Wickenhauser		
D563,177 S *	3/2008	Bergin	.....	D7/620
D574,197 S *	8/2008	Bergin	.....	D7/620
D604,564 S	11/2009	Walter		
D650,639 S *	12/2011	Freese	.....	D7/620
D721,544 S *	1/2015	Hollander	.....	D7/620
D721,545 S *	1/2015	Hollander	.....	D7/620
D735,636 S *	8/2015	Wragg	.....	D12/419
D737,504 S *	8/2015	Chen	.....	D27/183

- (\*\*) Term: **15 Years**
- (21) Appl. No.: **29/538,506**
- (22) Filed: **Sep. 3, 2015**
- (51) **LOC (10) Cl.** ..... **07-06**
- (52) **U.S. Cl.**  
USPC ..... **D7/620; D12/419**
- (58) **Field of Classification Search**  
USPC ..... D7/601, 602, 619.1, 620, 701, 708.1;  
D3/202, 229; D12/419, 420; 220/737;  
228/309.1, 310, 311.2, 313; 297/188.14,  
297/188.18  
CPC ..... A47B 55/00; A47B 55/02; A47B 73/00;  
A47B 73/002; A47B 73/004; A47B  
73/006; A47B 73/008; A47B  
69/00; A47G 23/0266; B65D  
81/18; B65D 81/3876; B65D 81/3886  
See application file for complete search history.

**OTHER PUBLICATIONS**

Landphere, Notice-of-Allowance, U.S. Appl. No. 29/538,507, Sep. 13, 2016, 8 pgs.  
Landphere, Notice-of-Allowance, U.S. Appl. No. 29/538,505, Sep. 12, 2016, 9 pgs.

\* cited by examiner

*Primary Examiner* — Keli L Hill  
(74) *Attorney, Agent, or Firm* — Morgan, Lewis & Bockius LLP

(57) **CLAIM**

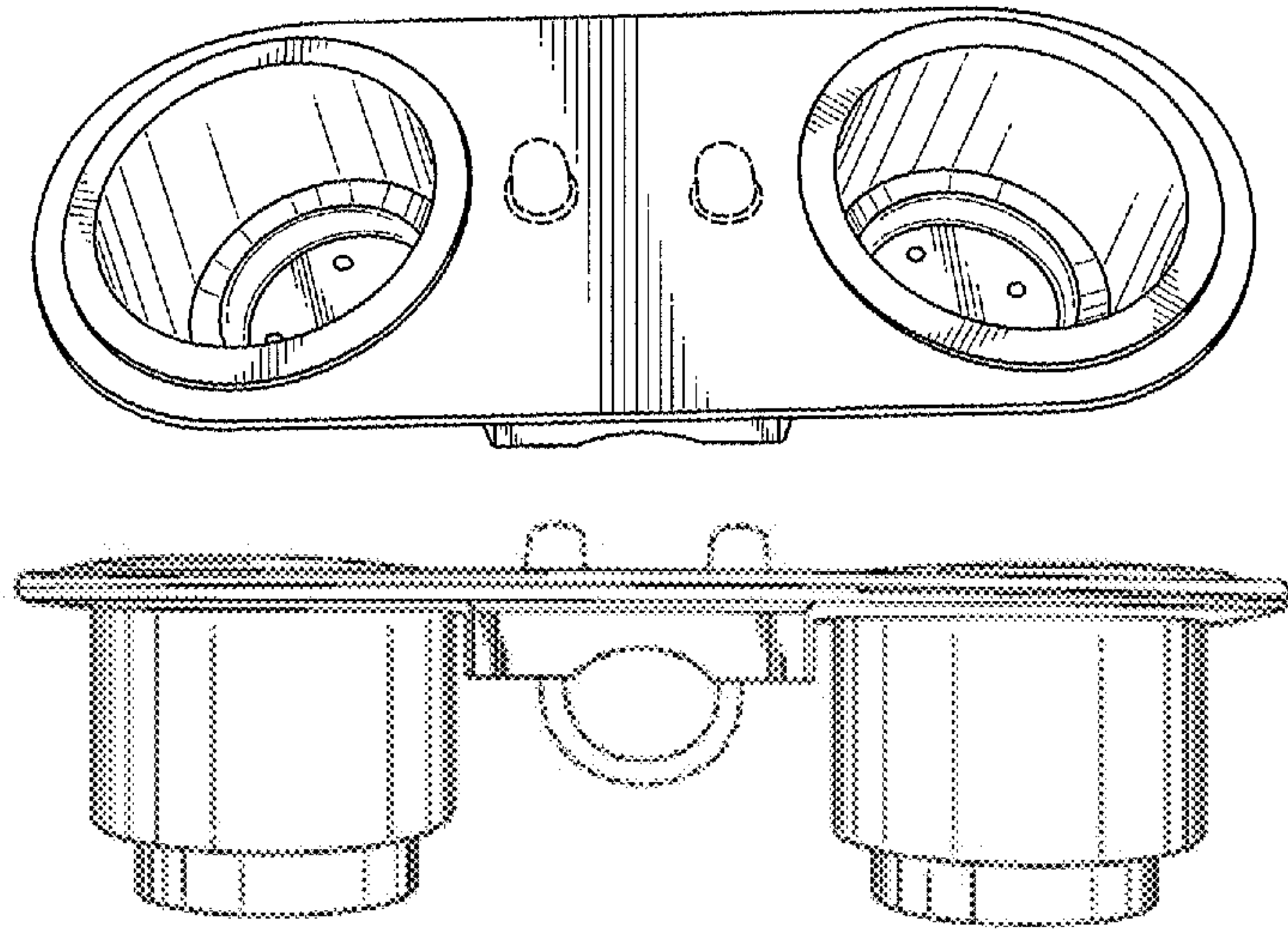
The ornamental design for a mountable substrate having dual cup holders, as shown and described.

**DESCRIPTION**

FIG. 1 is a perspective view of a mountable substrate having dual cup holders, embodying my new design;  
FIG. 2 is a bottom plan view thereof;  
FIG. 3 is a top plan view thereof;  
FIG. 4 is a first side elevation view thereof; and,  
FIG. 5 is a second side elevation view thereof.  
The new design of the mountable substrate having dual cup holders is symmetrical.  
The broken lines shown are included for the purpose of illustrating portions of the mountable substrate having dual cup holders that form no part of the claim.

**1 Claim, 3 Drawing Sheets**

- (56) **References Cited**  
U.S. PATENT DOCUMENTS  
D307,824 S \* 5/1990 Warren ..... D12/420  
D322,512 S \* 12/1991 Andrykovitz ..... D12/420  
D396,780 S \* 8/1998 Villarreal, Jr. .... D7/608  
D400,678 S \* 11/1998 Clark ..... D34/27  
D425,012 S \* 5/2000 Bergin ..... D12/419  
D478,860 S \* 8/2003 Young ..... D12/419  
D485,529 S \* 1/2004 Schoenberger ..... D12/419



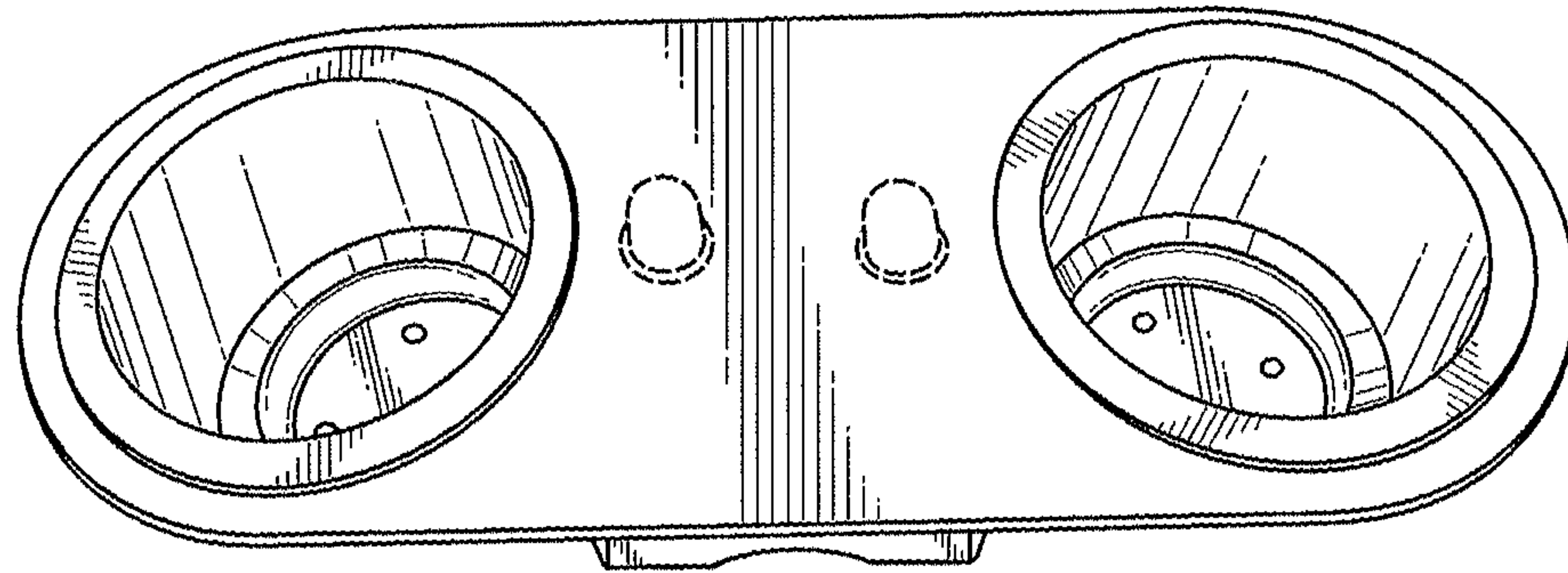


FIG. 1

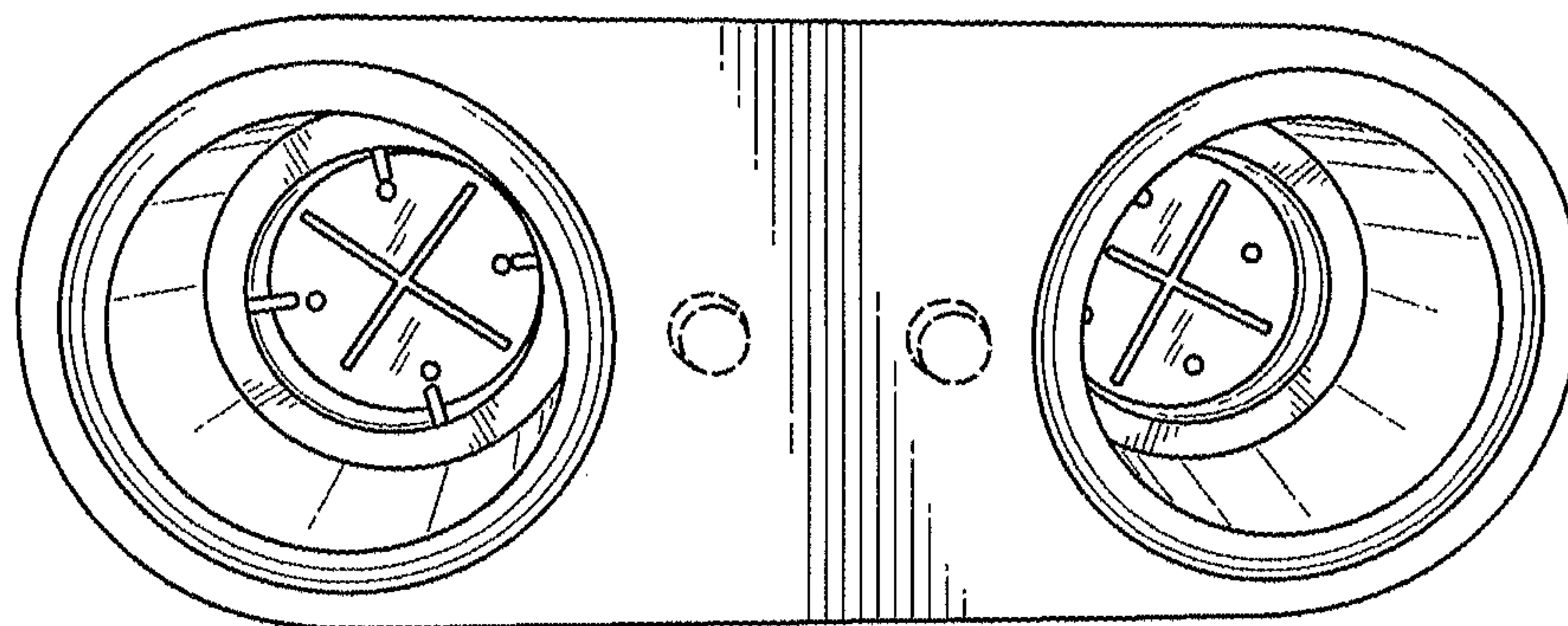


FIG. 2

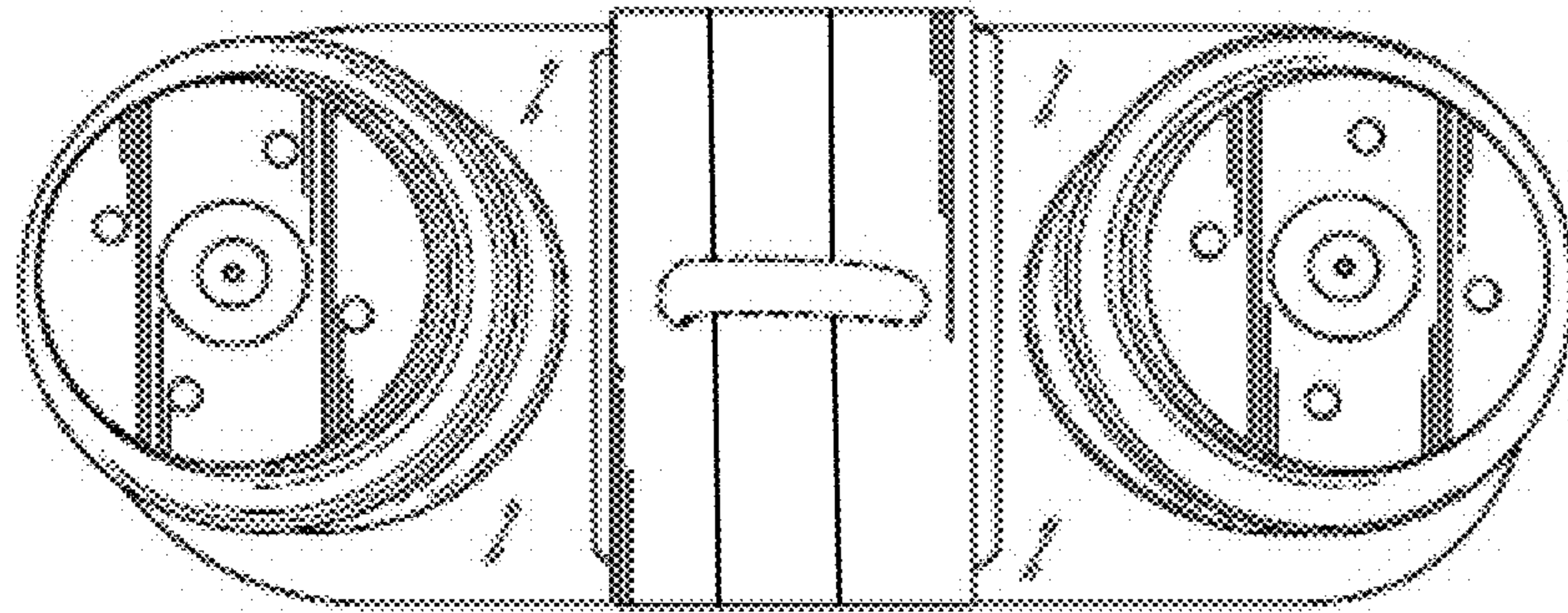


FIG. 3

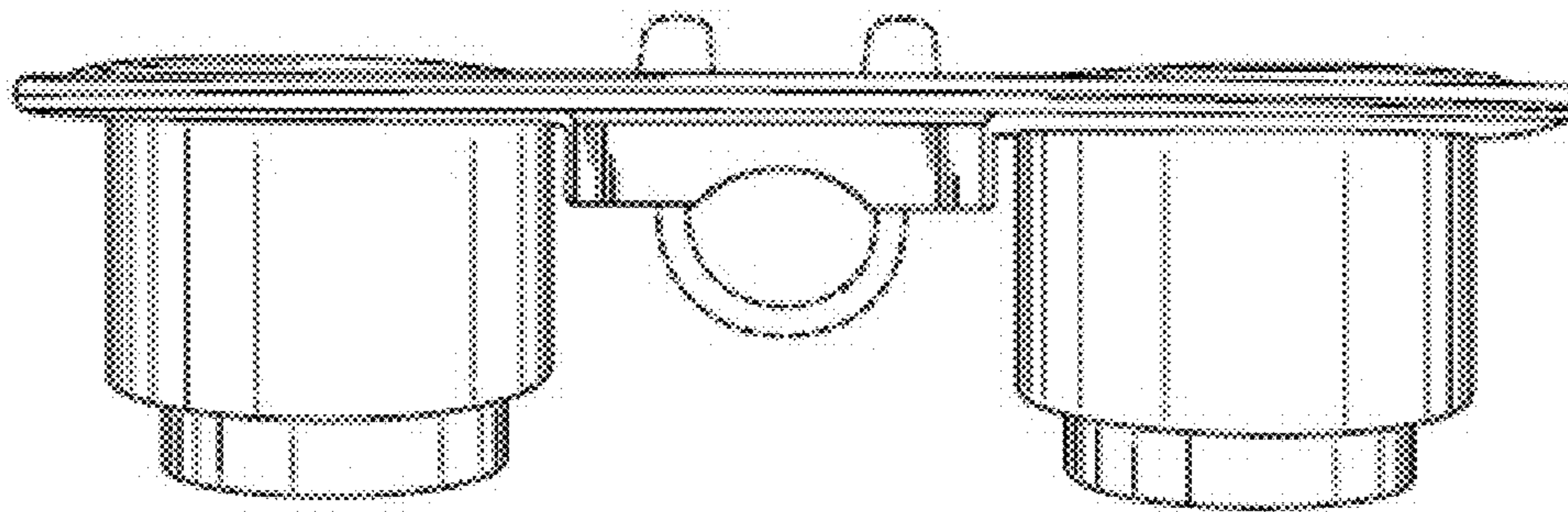


FIG. 4



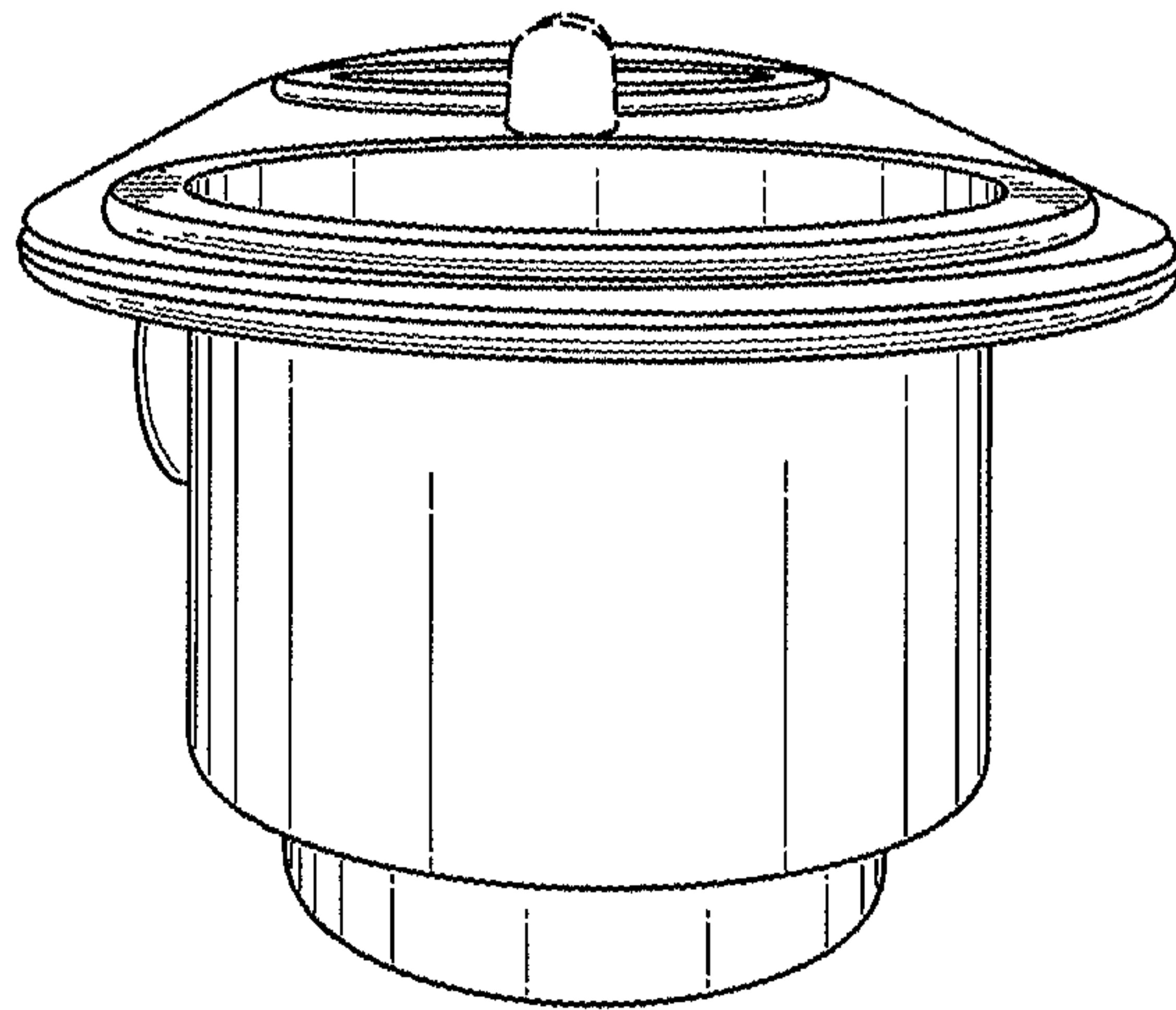


FIG. 5