

US00D777527S

(12) **United States Design Patent** (10) **Patent No.:** **US D777,527 S**
Landphere (45) **Date of Patent:** **** Jan. 31, 2017**

- (54) **MOUNTABLE SUBSTRATE HAVING A CUP HOLDER AND A SMOKING APPARATUS KEEPER**
- (71) Applicant: **MyFastEddy, LLC**, Los Altos, CA (US)
- (72) Inventor: **Edward A. Landphere**, Los Altos, CA (US)
- (73) Assignee: **MYFASTEDDY, LLC**, Los Altos, CA (US)
- (**) Term: **15 Years**
- (21) Appl. No.: **29/538,505**
- (22) Filed: **Sep. 3, 2015**
- (51) **LOC (10) Cl.** **07-06**
- (52) **U.S. Cl.**
USPC **D7/620; D27/183; D12/419**
- (58) **Field of Classification Search**
USPC D7/601, 602, 619.1, 620, 701, 708.1; D3/202, 229; D12/419, 420; 220/737; 228/309.1, 310, 311.2, 313; 297/188.14, 297/188.18; D27/103, 135, 138, 172, 183
CPC A47B 55/00; A47B 55/02; A47B 73/00; A47B 73/002; A47B 73/004; A47B 73/006; A47B 73/008; A47B 69/00; A47G 23/0266; B65D 81/18; B65D 81/3876; B65D 81/3886
See application file for complete search history.

(56) **References Cited**

U.S. PATENT DOCUMENTS

D307,824 S	5/1990	Warren	
D322,512 S	12/1991	Andrykovitz	
D396,780 S *	8/1998	Villarreal, Jr.	D7/608
D400,678 S *	11/1998	Clark	D34/27
D425,012 S *	5/2000	Bergin	D12/419
D478,860 S	8/2003	Young	
D485,529 S	1/2004	Schoenberger	
D514,896 S *	2/2006	Wickenhauser	D7/619.1

D516,393 S	3/2006	Wickenhauser	
D563,177 S *	3/2008	Bergin	D7/620
D574,197 S *	8/2008	Bergin	D7/620
D604,564 S	11/2009	Walter	
D650,639 S	12/2011	Freese et al.	
D721,544 S *	1/2015	Hollander	D7/620
D721,545 S	1/2015	Hollander	
D735,636 S	8/2015	Wragg	
D737,504 S *	8/2015	Chen	D27/183

OTHER PUBLICATIONS

Landphere, Notice-of-Allowance, U.S. Appl. No. 29/538,507, Sep. 13, 2016, 8 pgs.
Landphere, Notice-of-Allowance, U.S. Appl. No. 29/538,506, Sep. 12, 2016, 9 pgs.

* cited by examiner

Primary Examiner — Keli L Hill

(74) *Attorney, Agent, or Firm* — Morgan, Lewis & Bockius LLP

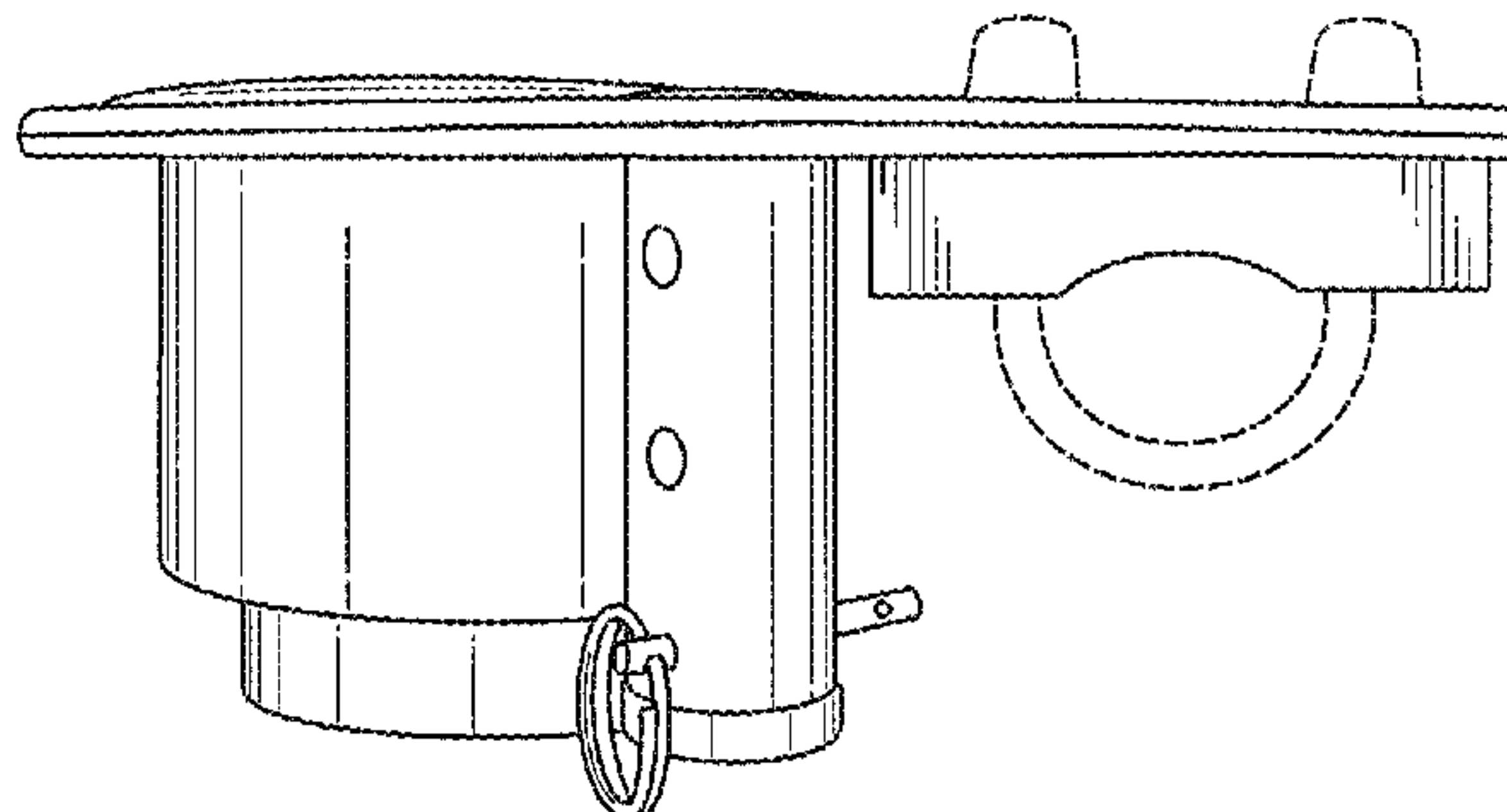
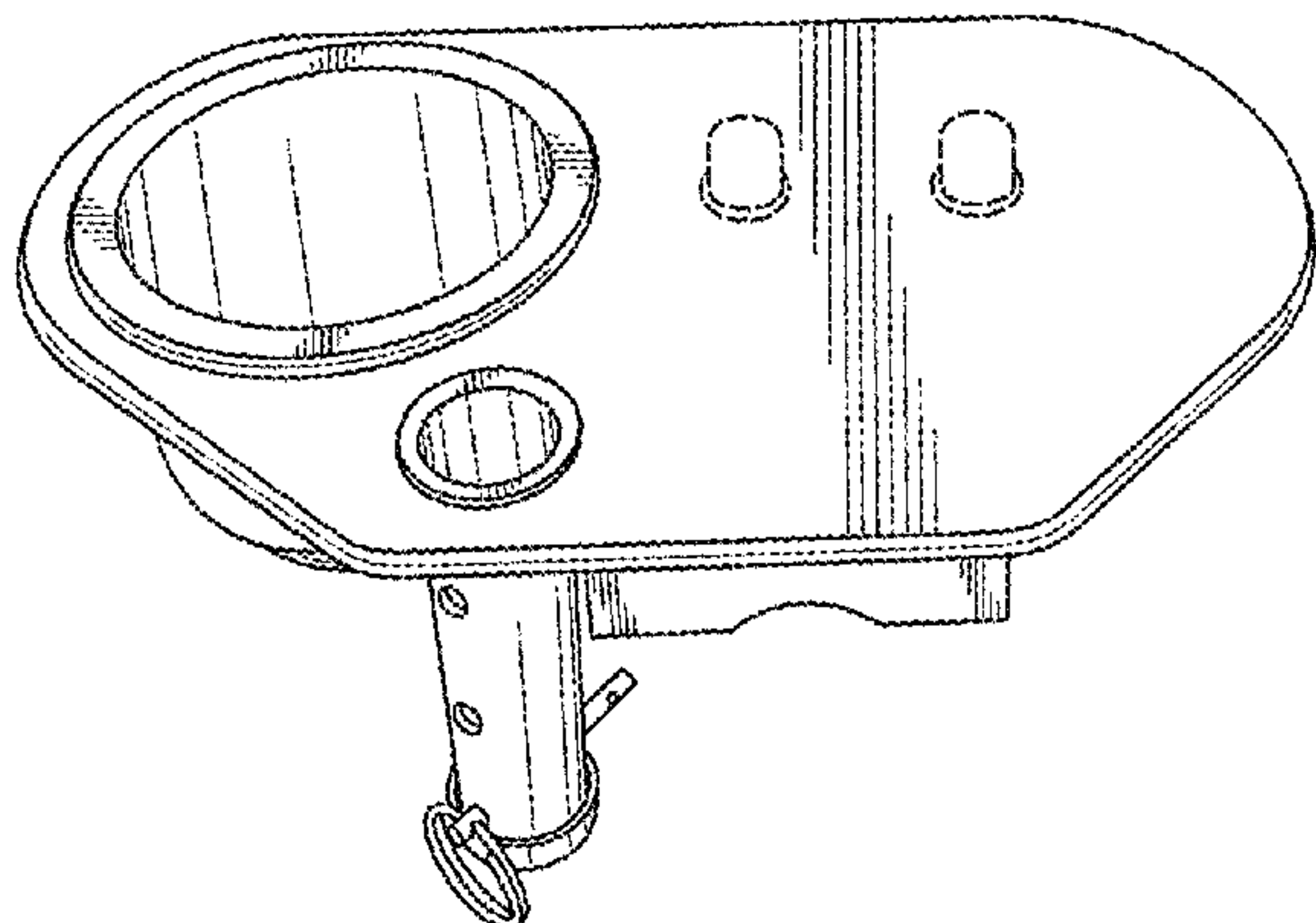
(57) **CLAIM**

The ornamental design for a mountable substrate having a cup holder and a smoking apparatus keeper, as shown and described.

DESCRIPTION

FIG. 1 is a perspective view of a mountable substrate having a cup holder and a smoking apparatus keeper, embodying my new design;
FIG. 2 is a top plan view thereof;
FIG. 3 is a bottom plan view thereof;
FIG. 4 is a first side elevation view thereof;
FIG. 5 is a second side elevation view thereof;
FIG. 6 is a third side elevation view thereof; and,
FIG. 7 is a fourth side elevation view thereof.
The broken lines shown are included for the purpose of illustrating portions of the mountable substrate having a cup holder and a smoking apparatus keeper that form no part of the claim.

1 Claim, 7 Drawing Sheets



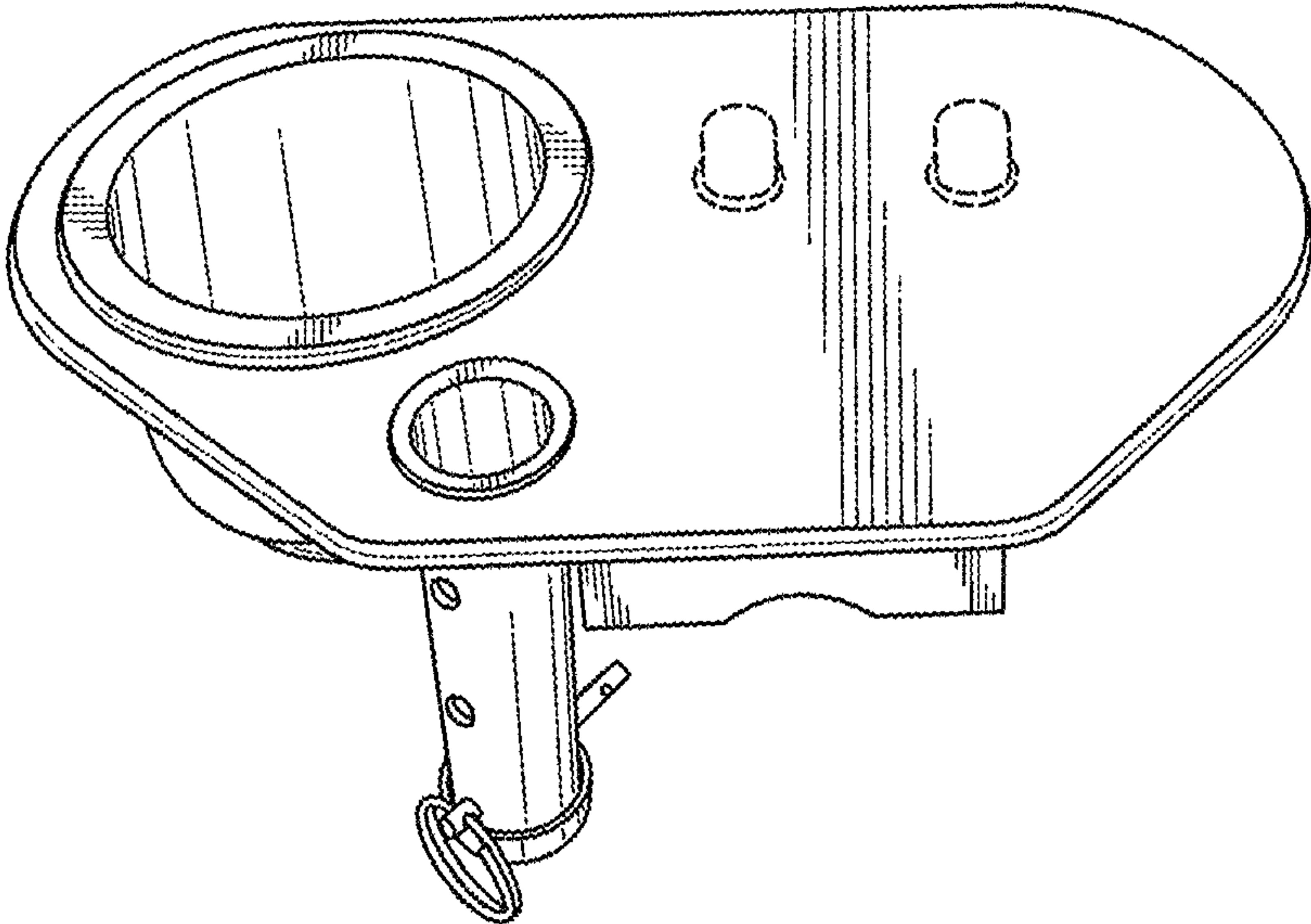


FIG. 1

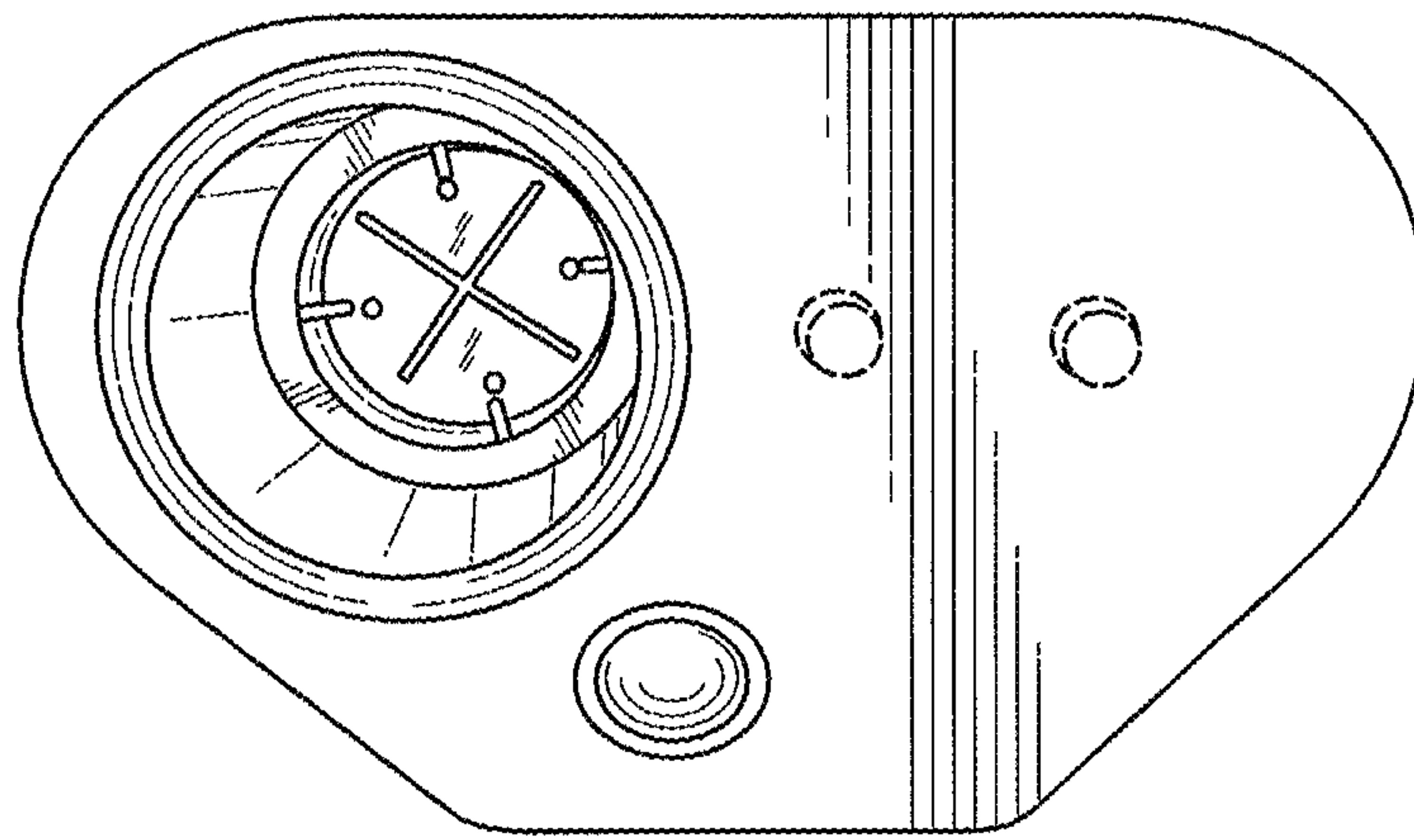


FIG. 2

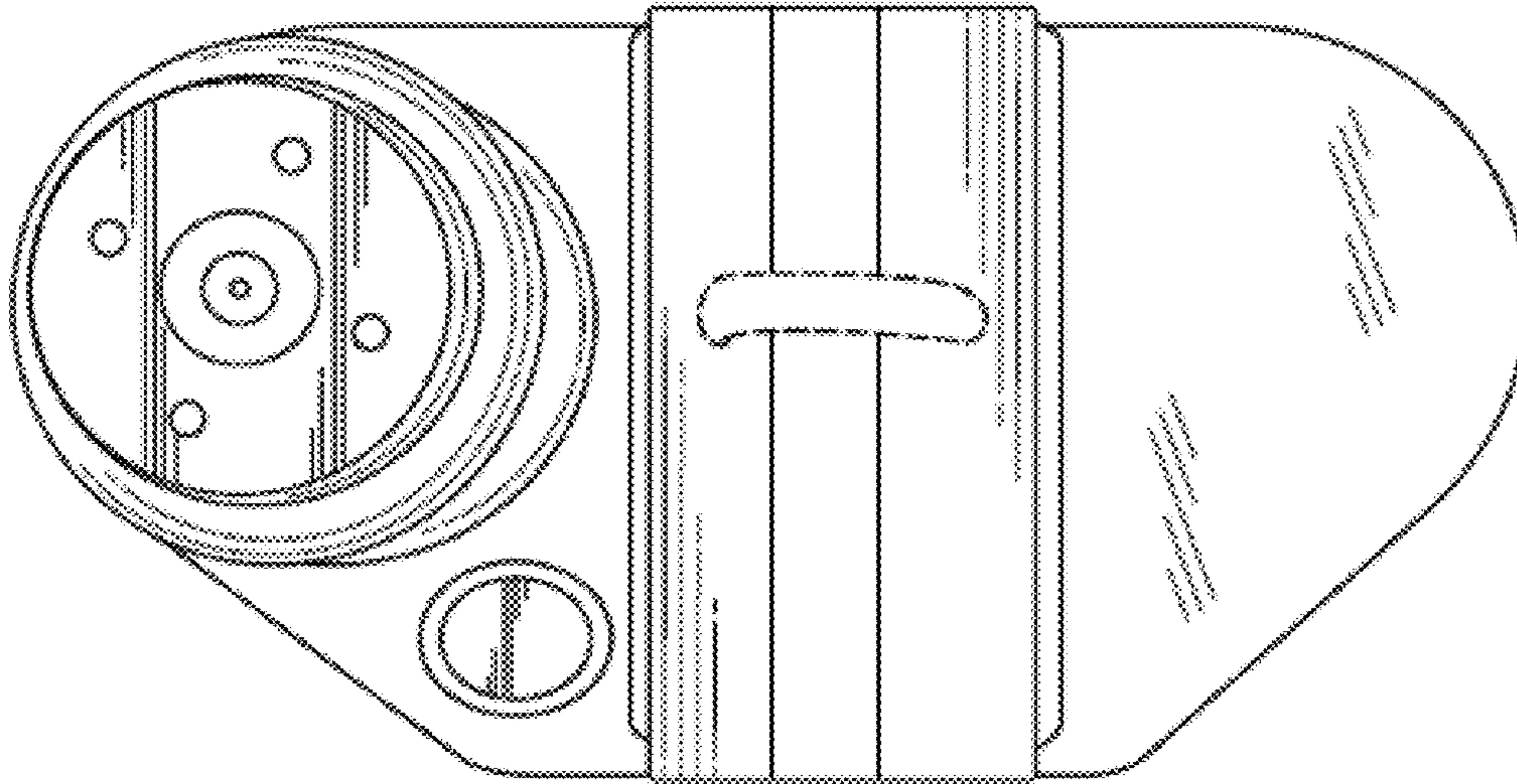


FIG. 3

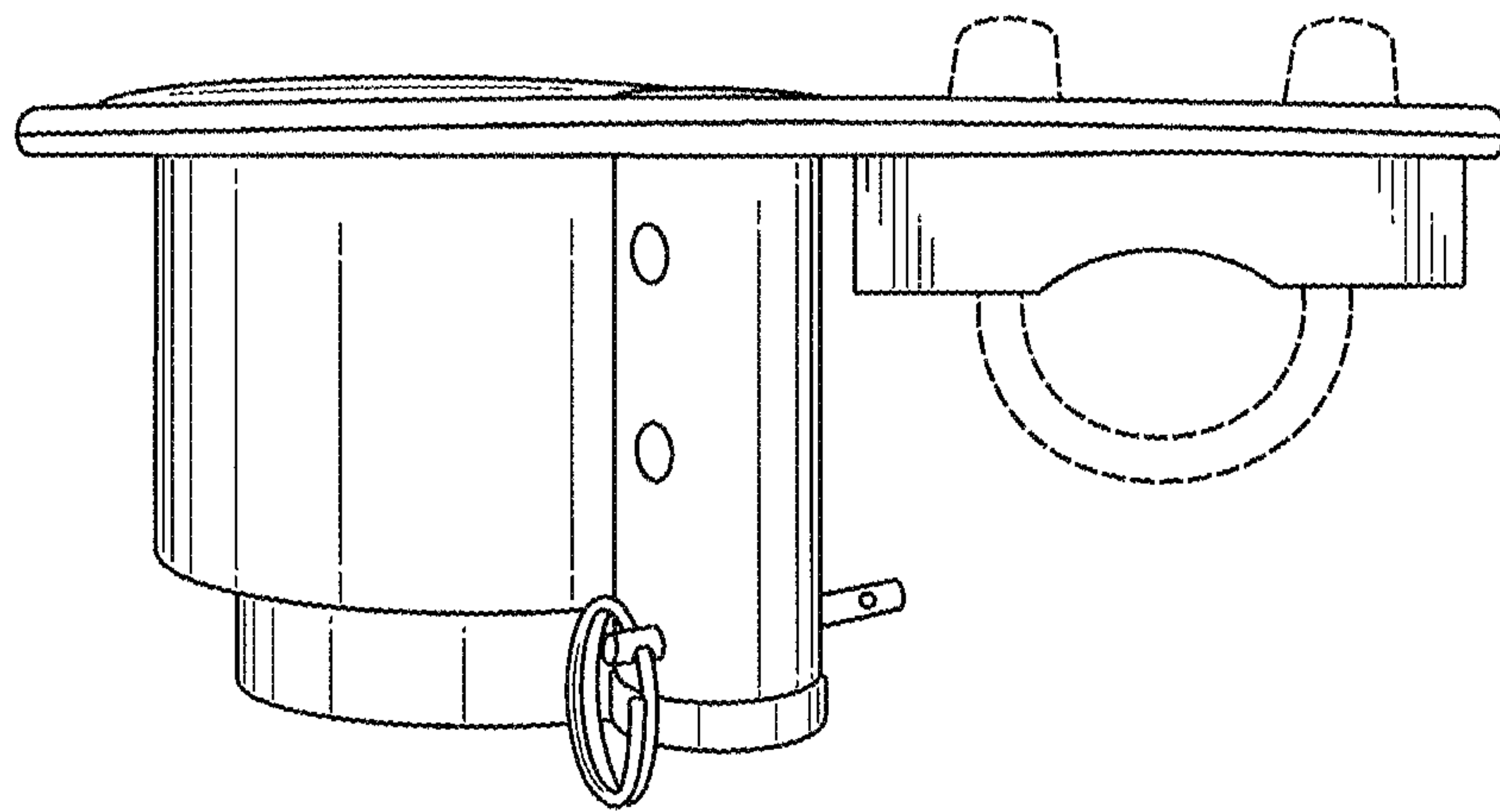


FIG. 4

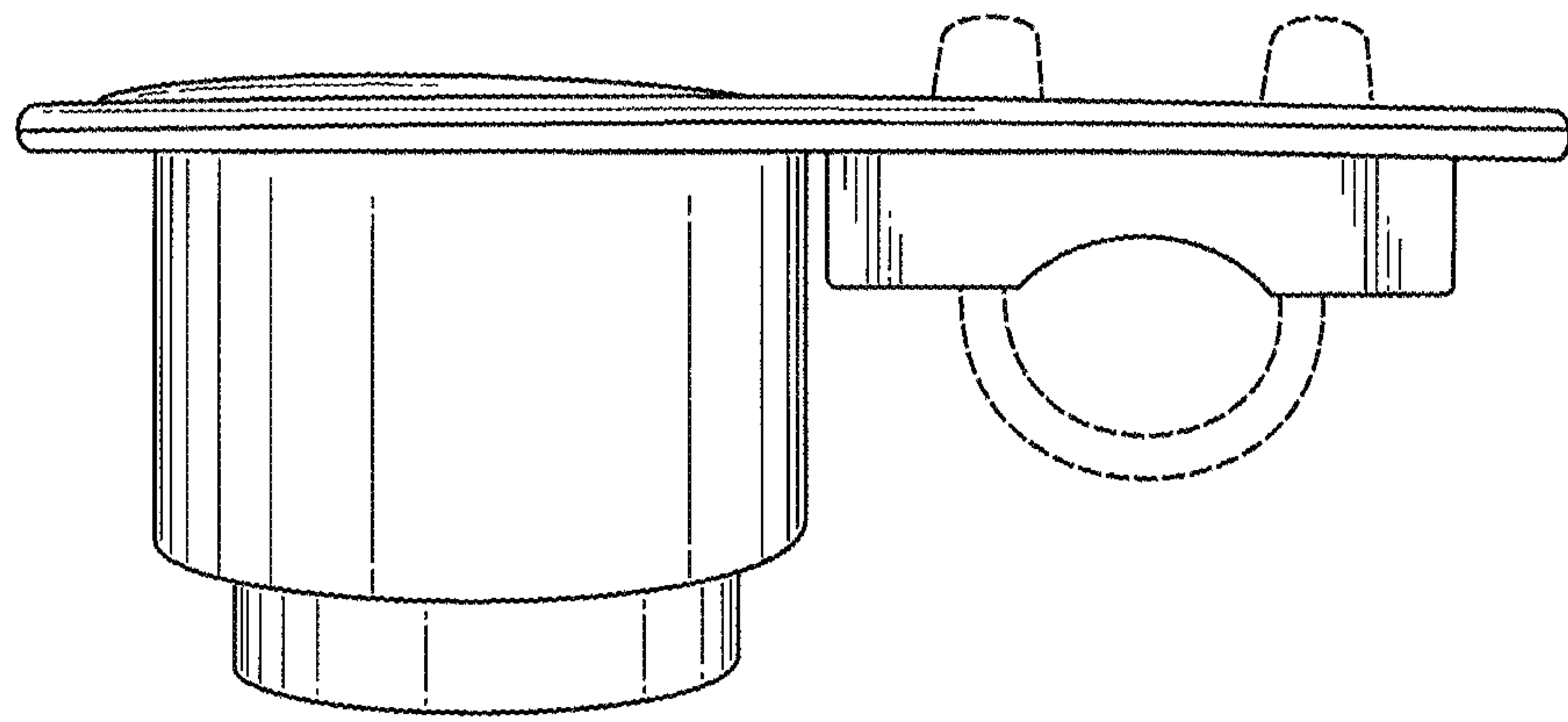


FIG. 5

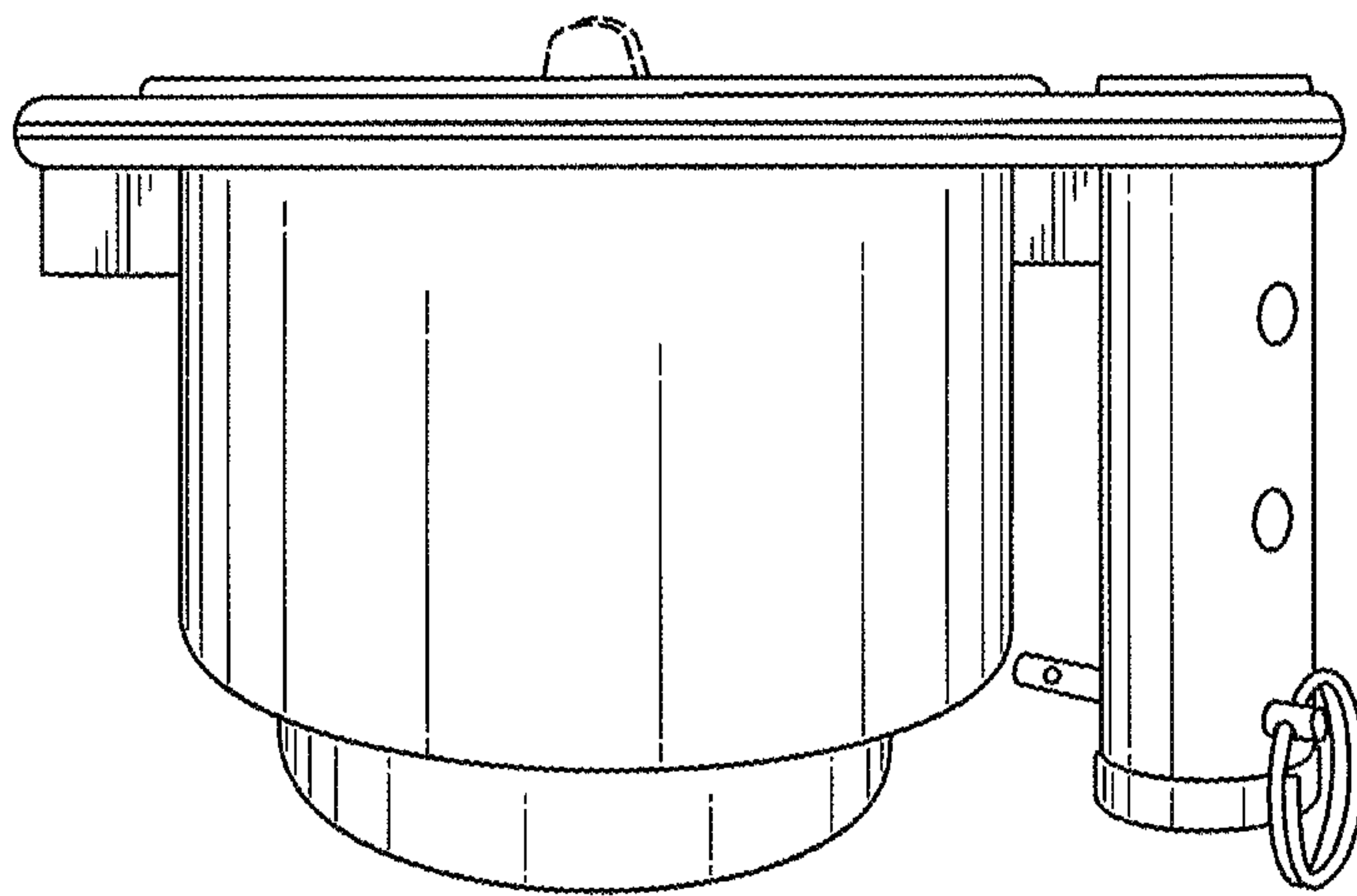


FIG. 6

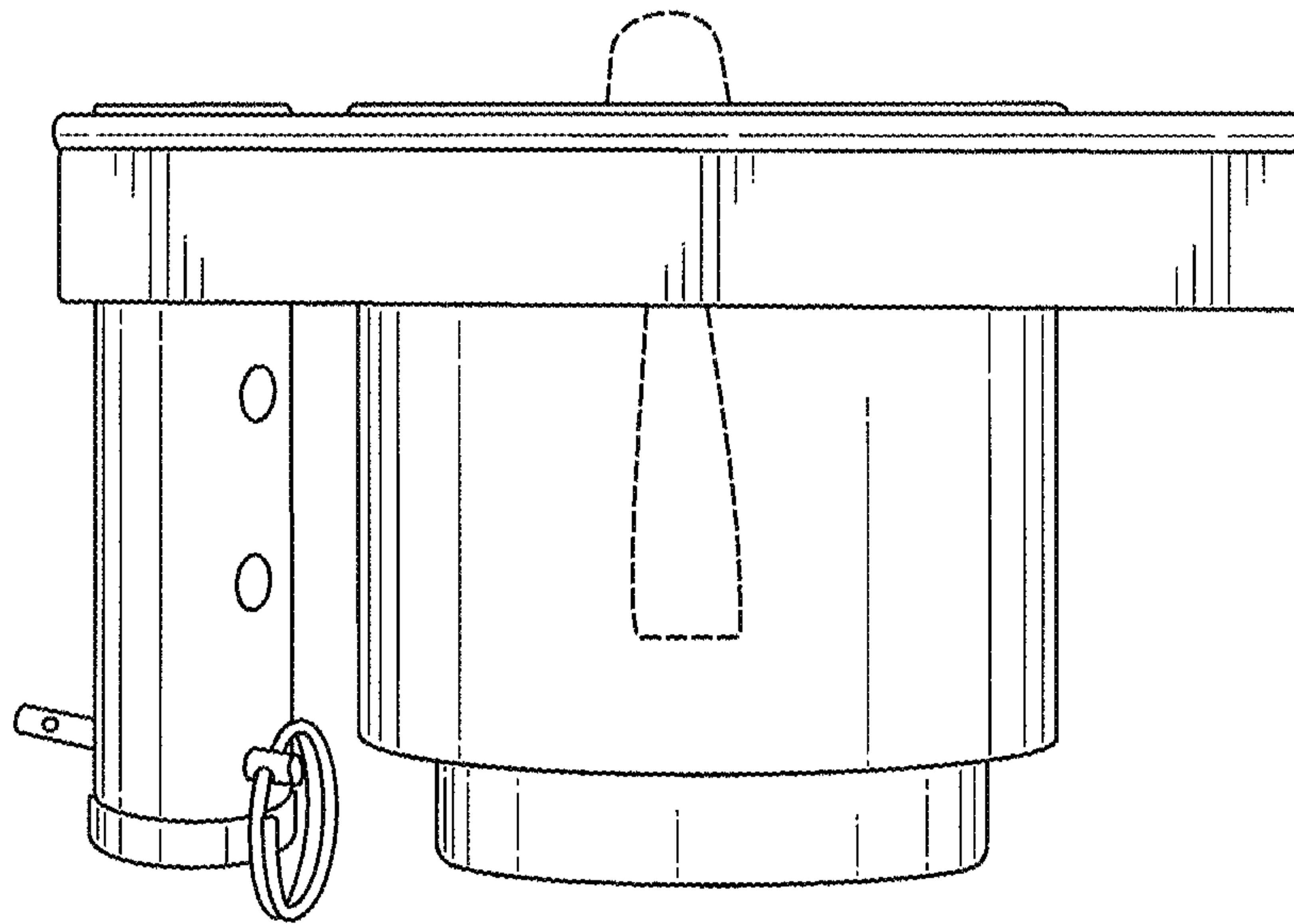


FIG. 7