



US00D777526S

(12) **United States Design Patent**  
**Polack et al.**

(10) **Patent No.:** **US D777,526 S**  
(45) **Date of Patent:** **\*\* Jan. 31, 2017**

(54) **BEVERAGE HOLDER**

(71) Applicant: **Next Level Enterprises, LLC**, Denver, CO (US)

(72) Inventors: **Aaron Michael Polack**, Denver, CO (US); **Lawrence Joseph Witt**, Denver, CO (US); **Jeffrey Steel**, Carlstadt, NJ (US); **Chris Suess**, Carlstadt, NJ (US); **Vincent Sposito**, Carlstadt, NJ (US); **Carl Cetera**, Carlstadt, NJ (US)

(73) Assignee: **Next Level Enterprises, LLC**, Denver, CO (US)

(\*\*) Term: **15 Years**

(21) Appl. No.: **29/534,431**

(22) Filed: **Jul. 28, 2015**

(51) **LOC (10) Cl.** ..... **07-06**

(52) **U.S. Cl.**  
USPC ..... **D7/619.1**

(58) **Field of Classification Search**  
USPC ..... D7/601, 602, 619.1, 620, 701, 708.1, D7/608; D3/202, 229; D12/419, 420; 220/737; 228/309.1, 310, 311.2, 313; 297/188.14, 297/188.18; D9/455  
CPC ..... A47B 55/00; A47B 55/02; A47B 73/00; A47B 73/002; A47B 73/004; A47B 73/006; A47B 73/008; A47B 69/00; A47G 23/0266; B65D 81/18; B65D 81/3876; B65D 81/3886  
See application file for complete search history.

(56) **References Cited**

**U.S. PATENT DOCUMENTS**

3,574,957 A 4/1971 Bello-Bridick  
5,025,748 A 6/1991 Pettis  
D375,230 S \* 11/1996 Bezella ..... D7/624.1

D429,968 S \* 8/2000 Frankel ..... D7/608  
D455,052 S \* 4/2002 Gullickson ..... D7/619.1  
D455,320 S \* 4/2002 Edelstein ..... D7/619.1  
D455,612 S \* 4/2002 Gullickson ..... D7/619.1  
D478,479 S \* 8/2003 Garvin ..... D7/620  
7,000,801 B2 2/2006 Rodriguez  
7,040,623 B2 5/2006 Poffenberger  
D593,371 S \* 6/2009 Karam ..... D7/624.2  
7,628,315 B2 12/2009 Duncan  
7,891,665 B1 2/2011 Nathanson

(Continued)

**OTHER PUBLICATIONS**

U.S. Appl. No. 13/372,516, filed Oct. 13, 2011, Polack, et al.

*Primary Examiner* — Keli L Hill

(74) *Attorney, Agent, or Firm* — Rocky Mountain Patent, LLC

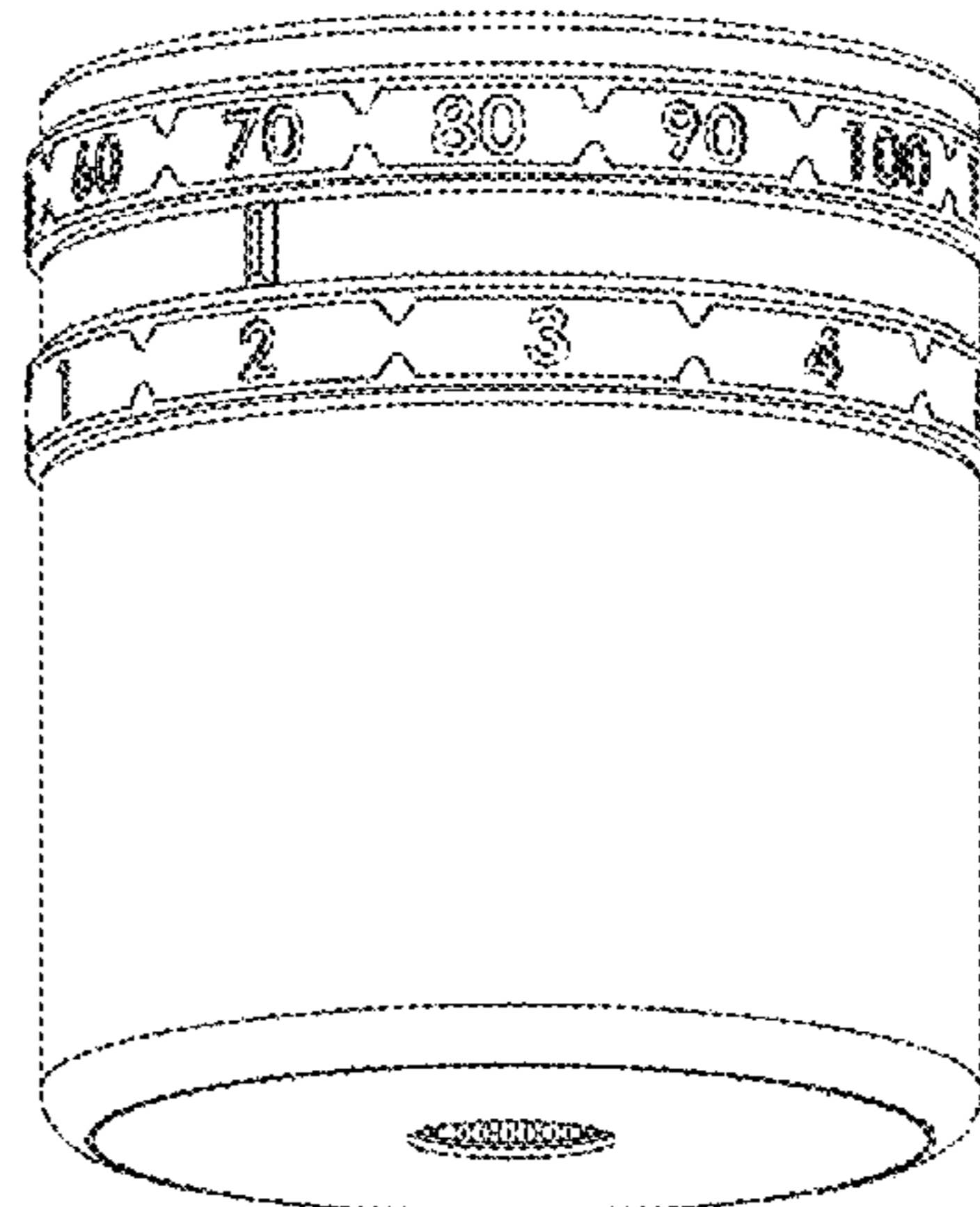
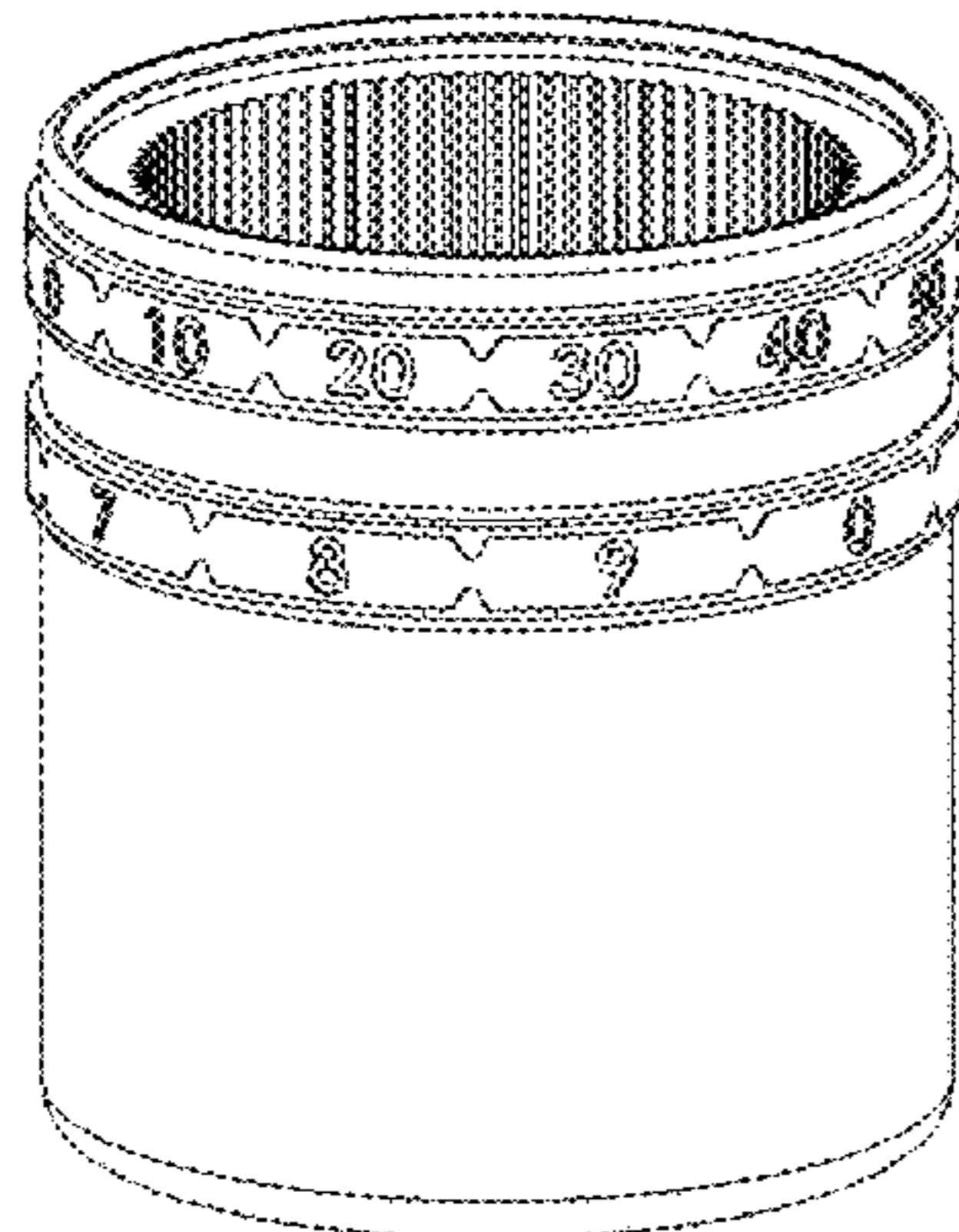
(57) **CLAIM**

The ornamental design for a beverage holder, as shown and described.

**DESCRIPTION**

FIG. 1. Top perspective view of one angle of the beverage holder.  
FIG. 2. Top perspective view of a second angle of the beverage holder.  
FIG. 3. Side view of one angle of the beverage holder.  
FIG. 4. Side view of a second angle of the beverage holder.  
FIG. 5. Side view of a third angle of the beverage holder.  
FIG. 6. Side view of a fourth angle of the beverage holder.  
FIG. 7. Top view of the beverage holder.  
FIG. 8. Bottom view of the beverage holder.  
FIG. 9. Bottom perspective view of one angle of the beverage holder; and,  
FIG. 10. Bottom perspective view of a second angle of the beverage holder.

**1 Claim, 5 Drawing Sheets**



(56)

**References Cited**

U.S. PATENT DOCUMENTS

8,251,247	B1 *	8/2012	Breckner .....	A47G 23/0241 220/592.16
D752,397	S *	3/2016	Seiders .....	D7/608
2008/0023913	A1	1/2008	Gormally et al.	
2008/0099423	A1	5/2008	Koch	
2008/0164270	A1	7/2008	Puerini et al.	
2008/0285621	A1	11/2008	Rowen	
2012/0091158	A1 *	4/2012	Polack .....	A63B 71/0672 220/739

\* cited by examiner

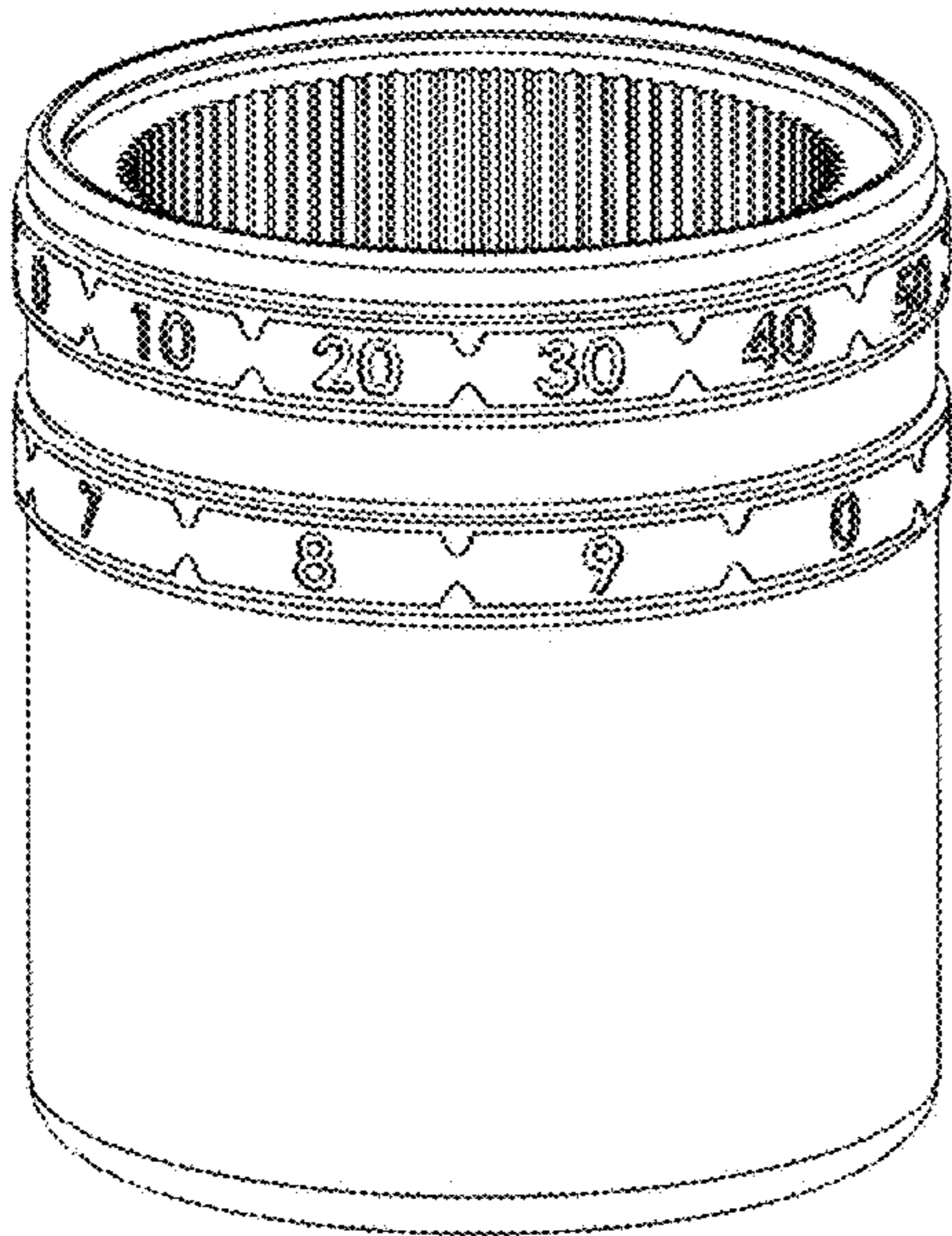


FIG. 1

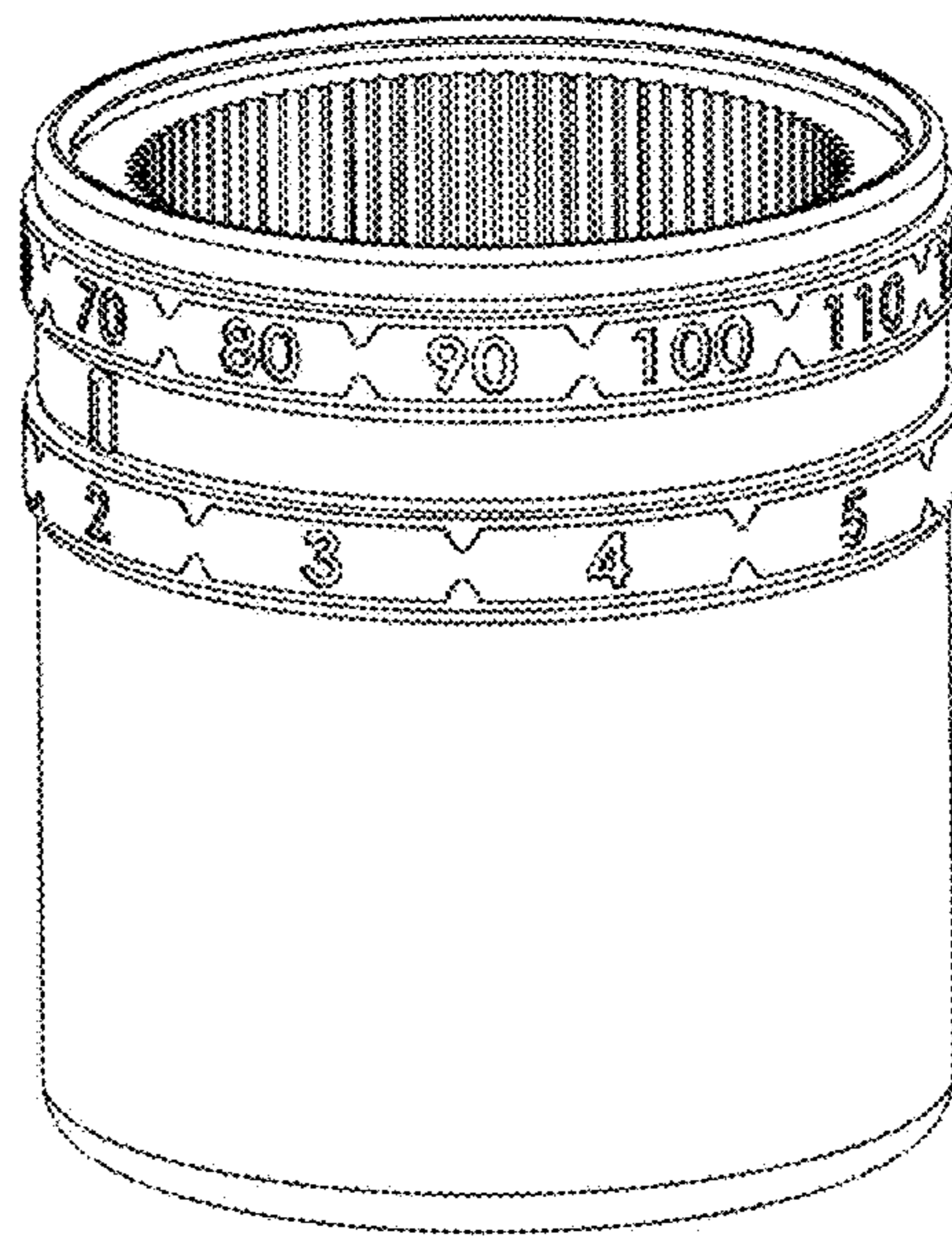


FIG. 2

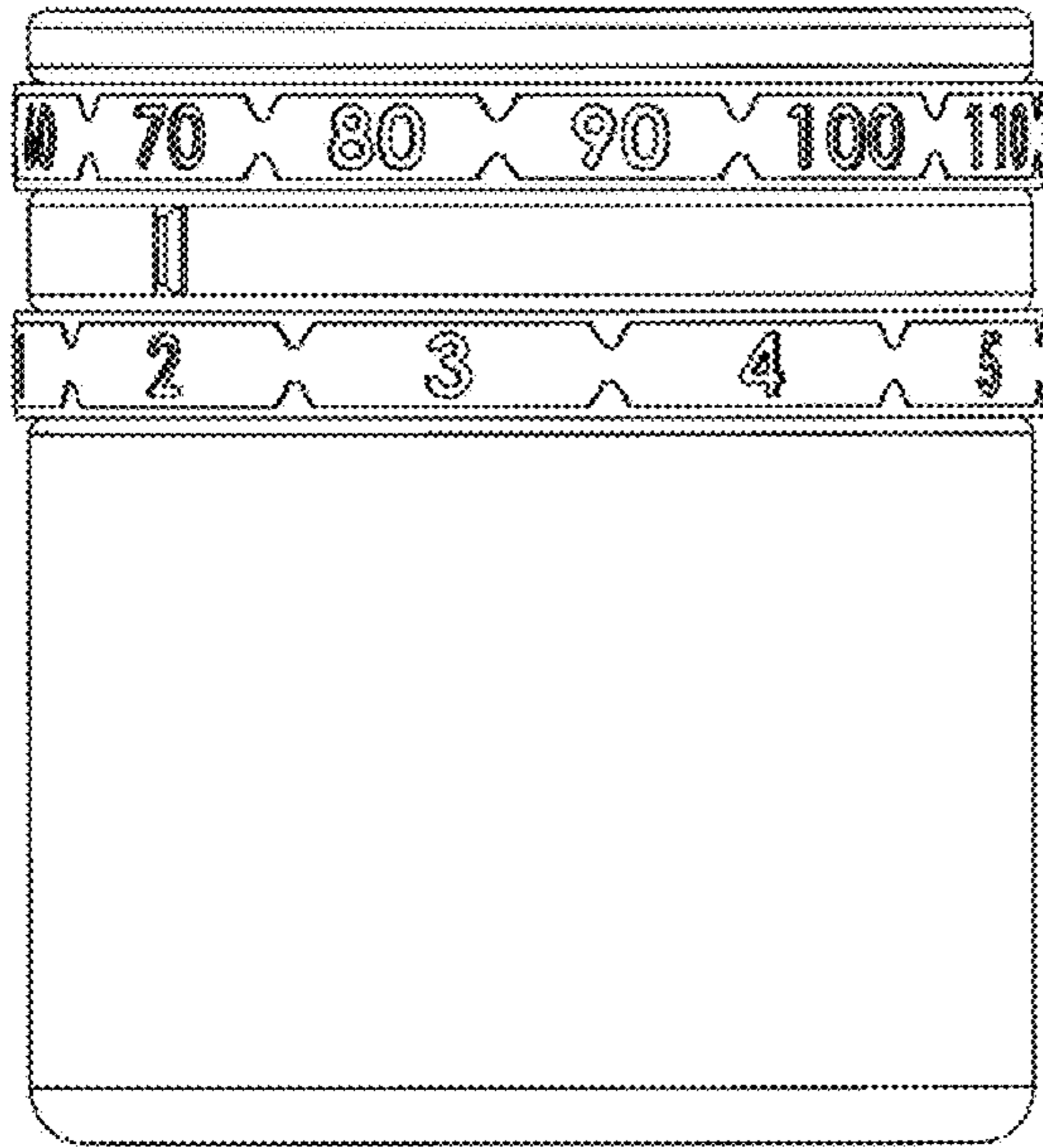


FIG. 3

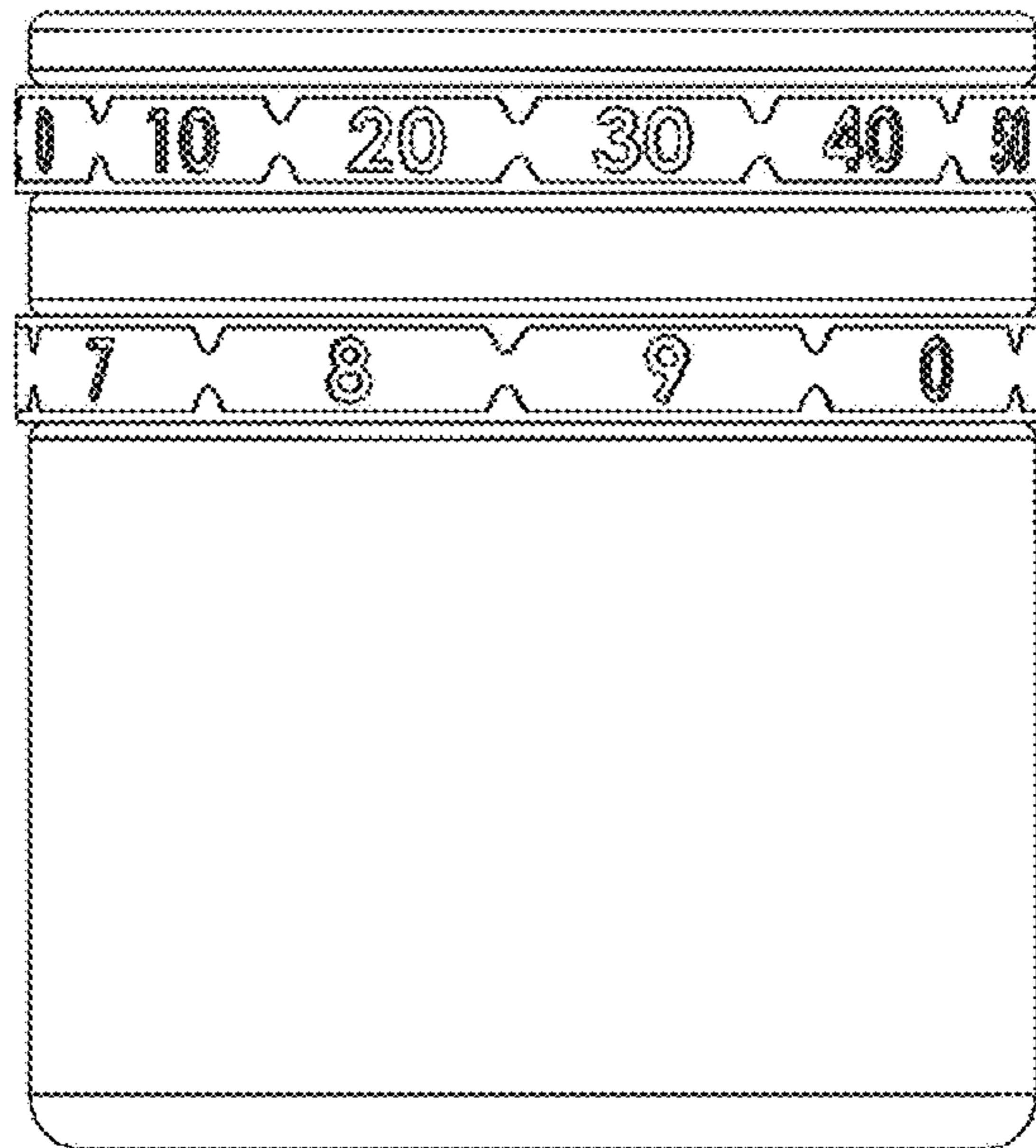


FIG. 4

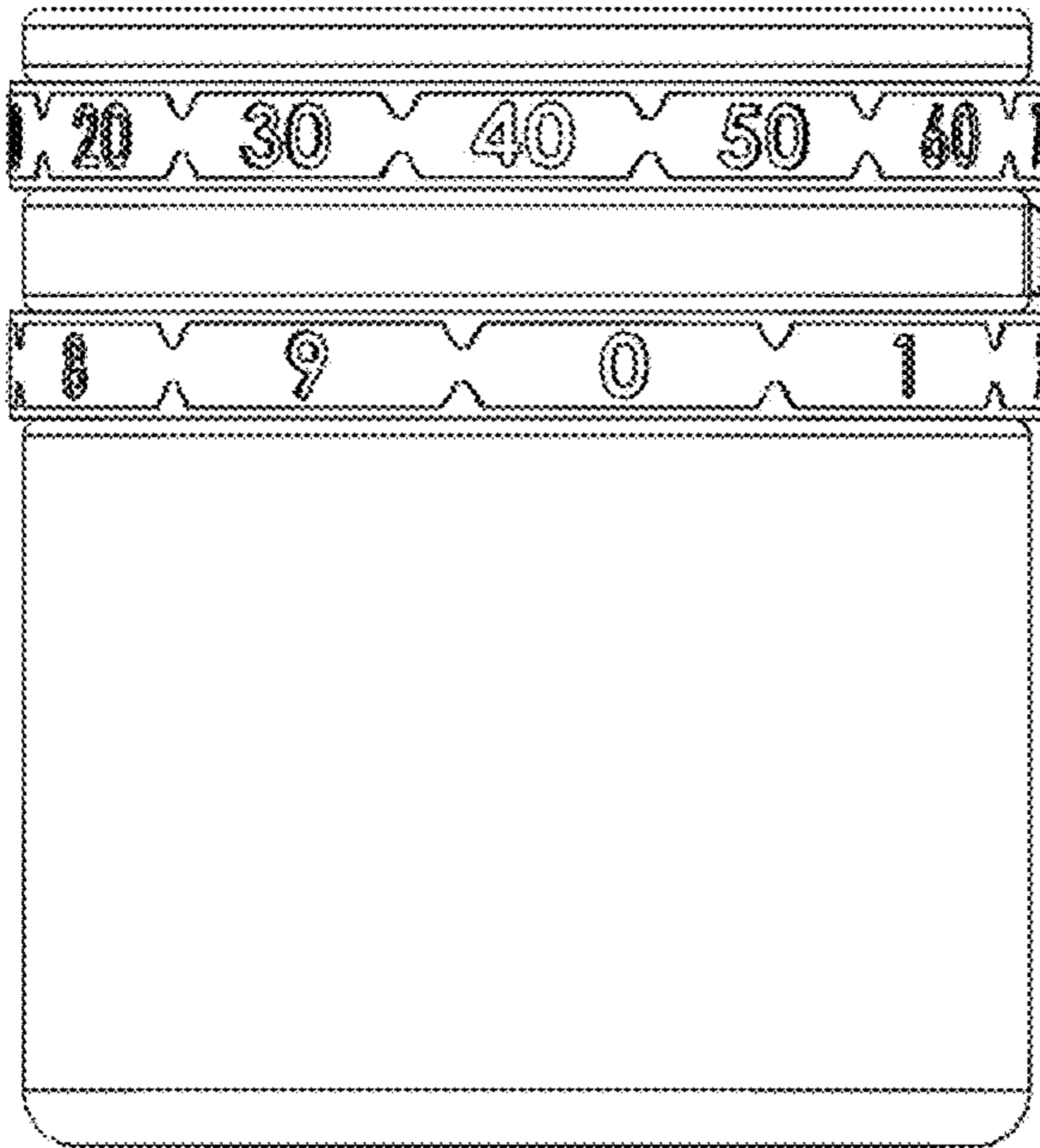


FIG. 5

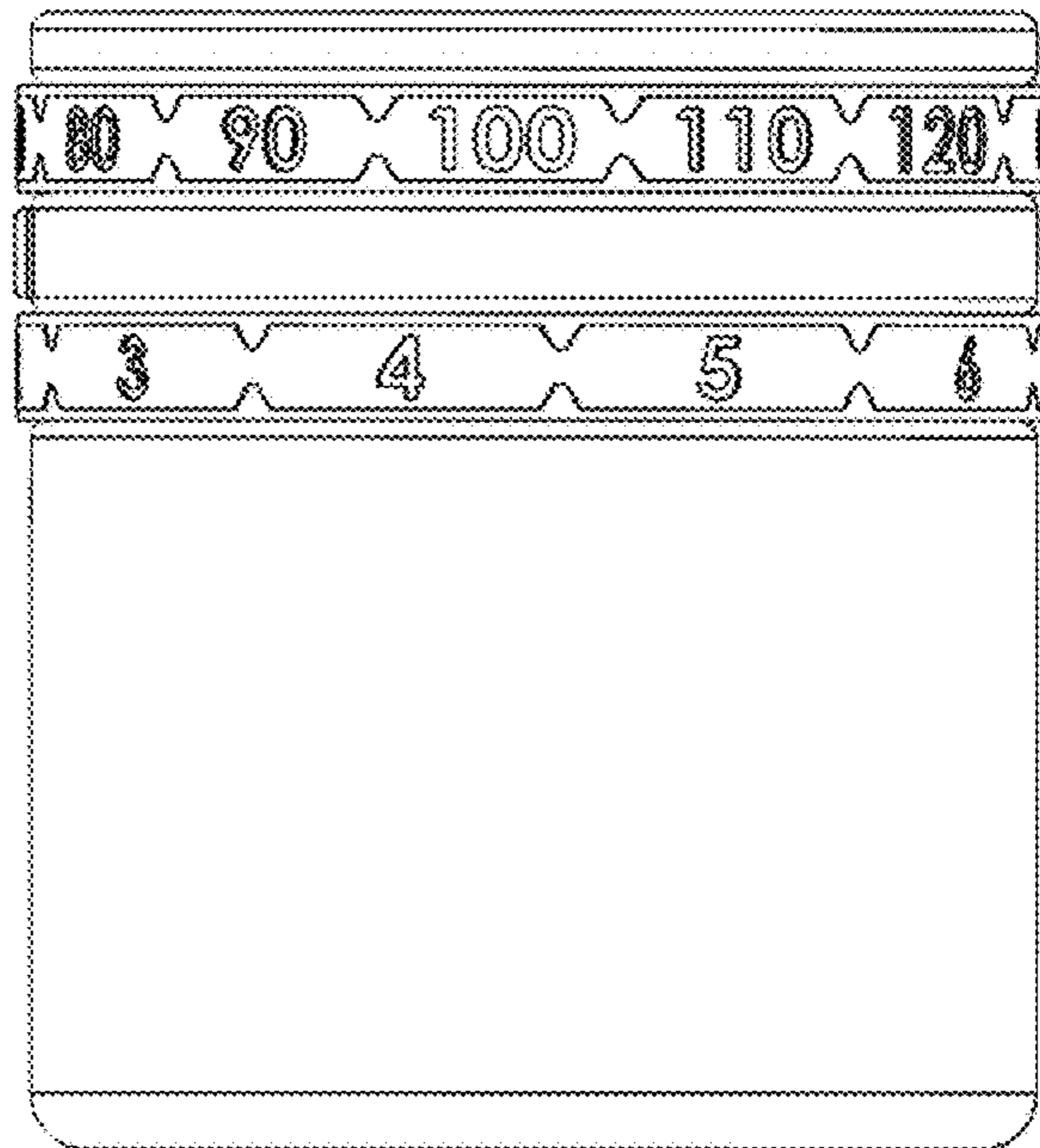


FIG. 6

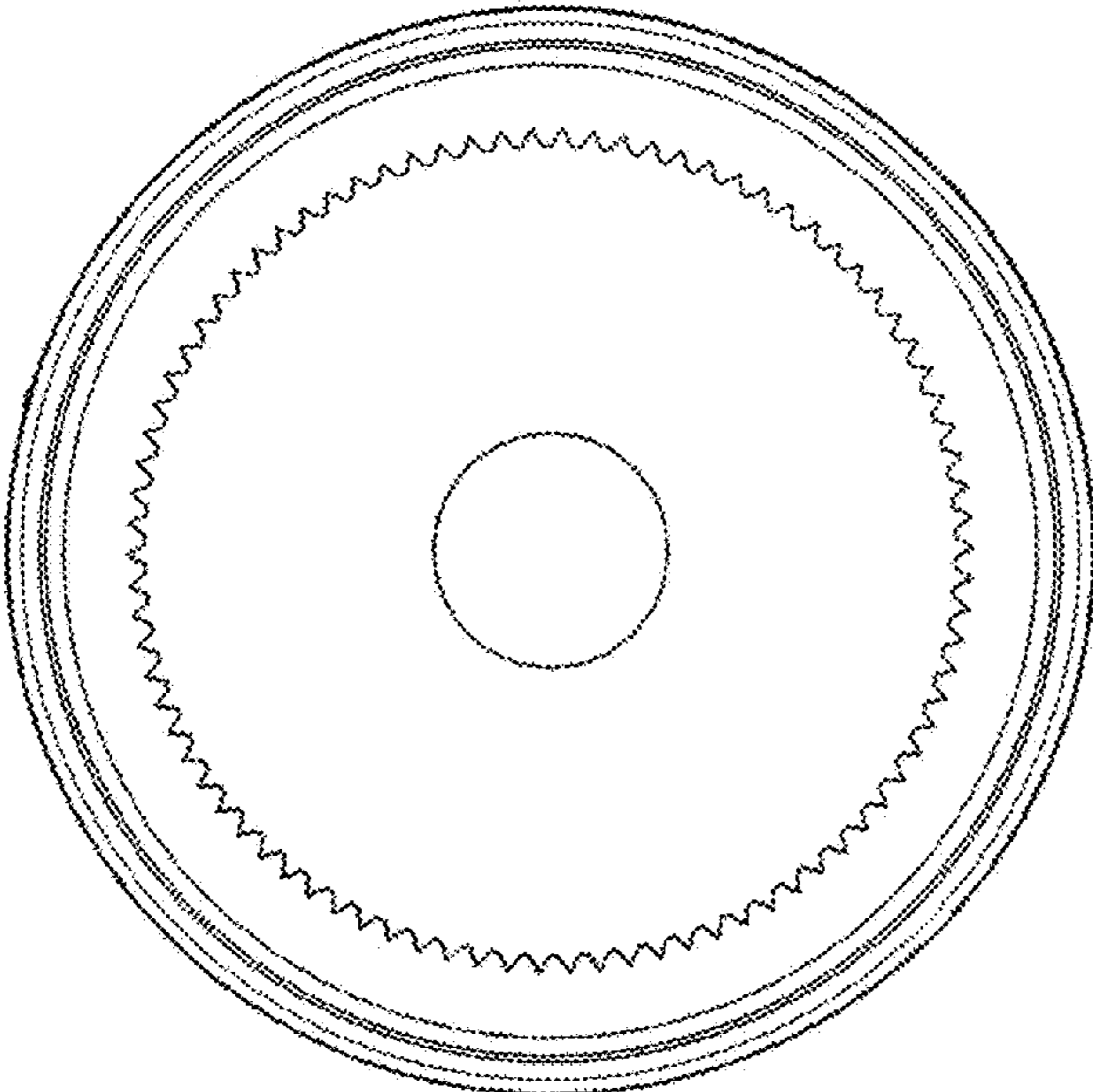


FIG. 7

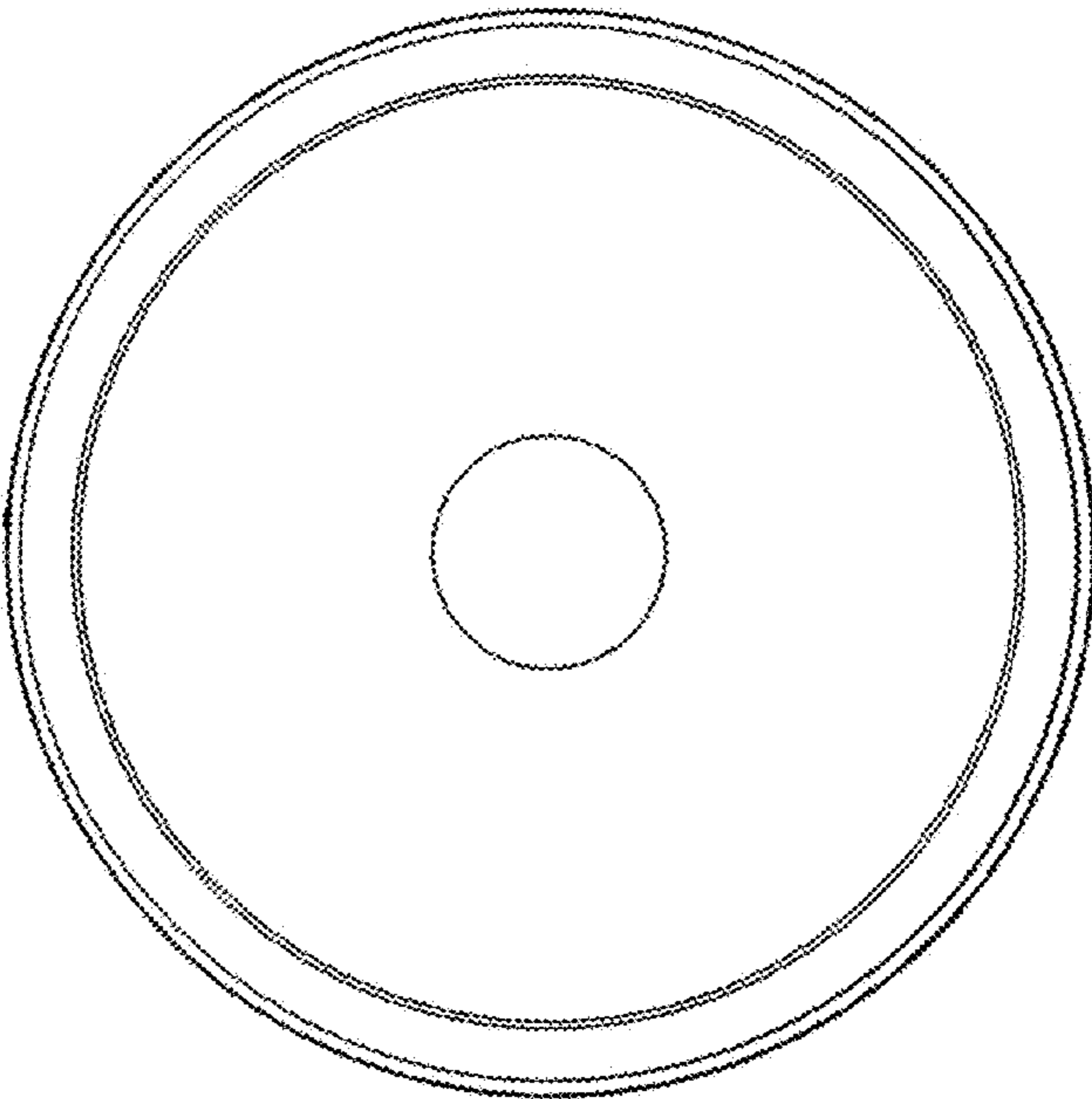


FIG. 8

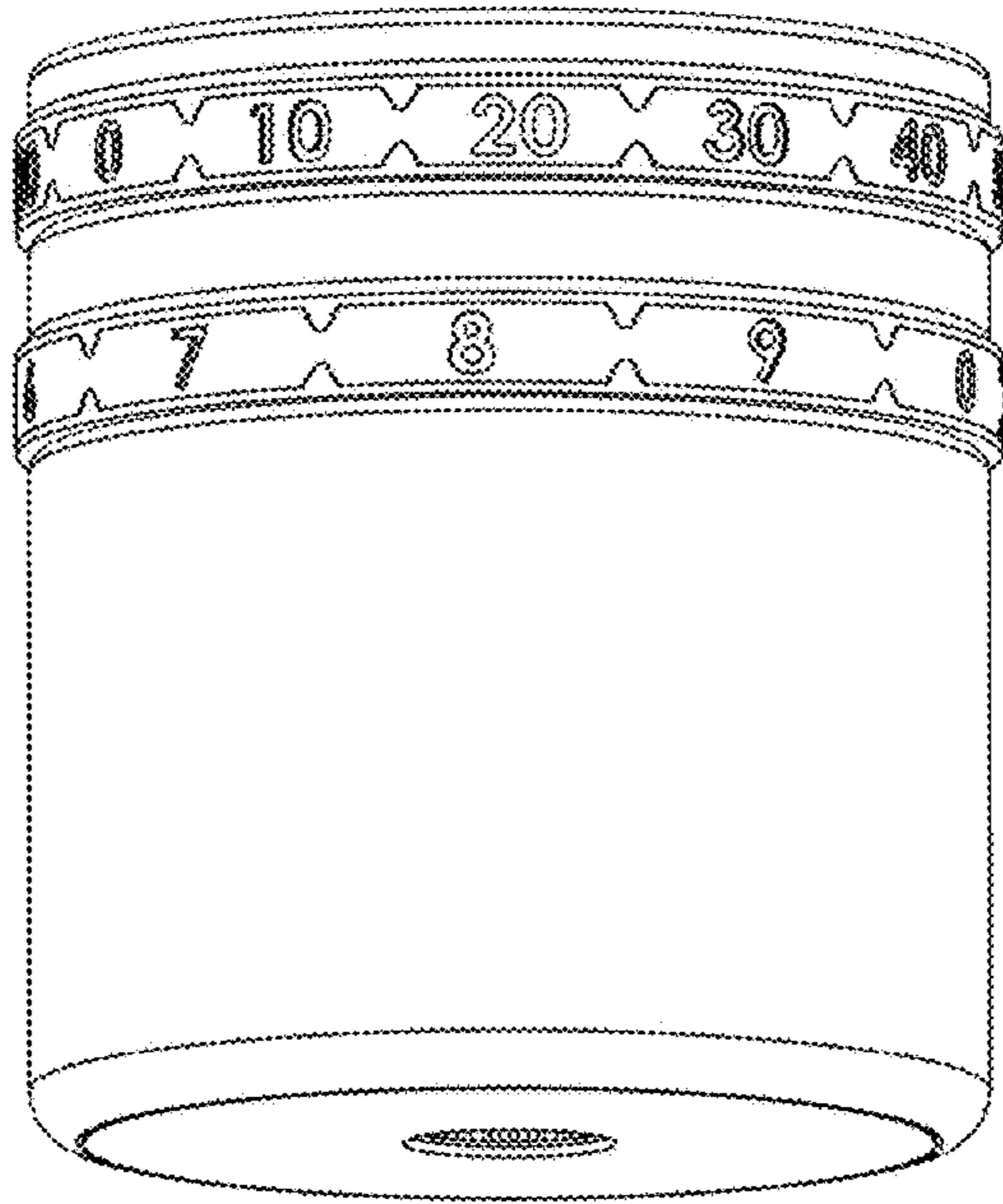


FIG. 9

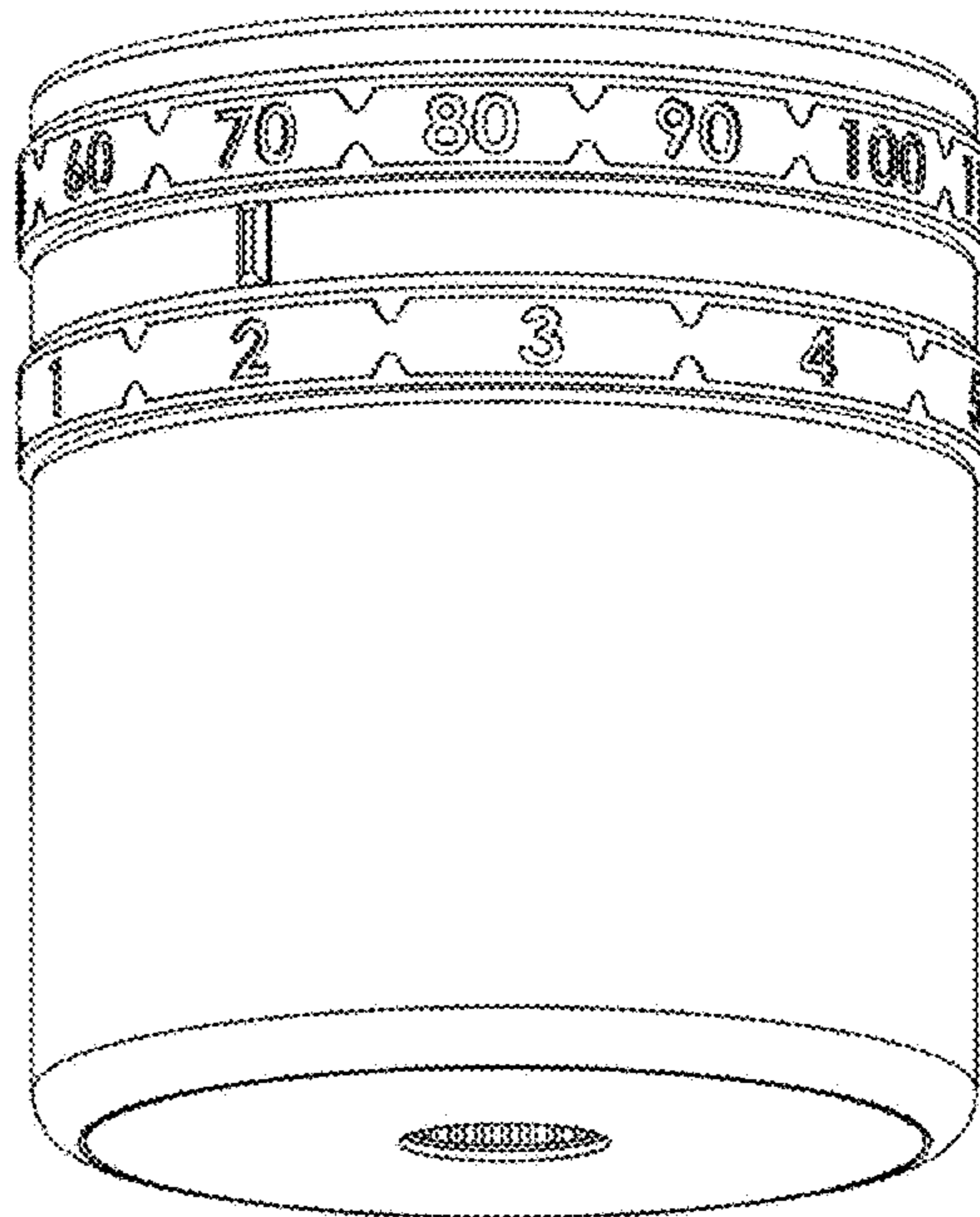


FIG. 10