



US00D777523S

(12) **United States Design Patent**  
**Beers**

(10) **Patent No.:** **US D777,523 S**

(45) **Date of Patent:** **\*\* Jan. 31, 2017**

- (54) **SEASONING DISPENSER**
- (71) Applicant: **Catherine Beers**, Sedona, AZ (US)
- (72) Inventor: **Catherine Beers**, Sedona, AZ (US)
- (\*\*) Term: **14 Years**
- (21) Appl. No.: **29/457,633**
- (22) Filed: **Jun. 12, 2013**
- (51) **LOC (10) Cl.** ..... **07-06**
- (52) **U.S. Cl.**  
USPC ..... **D7/594**
- (58) **Field of Classification Search**  
USPC ..... D7/594, 590, 591, 592, 593, 595, 596,  
D7/597, 598, 599, 600, 300, 300.1, 300.2,  
D7/301, 302, 303, 304, 305, 312, 316,  
D7/317, 318, 319, 321, 322, 589, 601,  
D7/602, 613, 702, 703, 628, 629, 637,  
D7638, 639, 368, 669, 309, 310, 311;  
D22/103, 104, 105, 108; 42/54, 7, 2, 5, 8;  
D9/600, 601, 614, 615, 616, 617, 621,  
D9/680, 716, 719, 503, 505, 504;  
D21/567-575  
CPC ..... A47G 19/24; A47G 19/00; A47G 19/12;  
A47G 19/122; A47G 19/125; A47G  
19/127; A47G 19/18; A47G 19/20; A47G  
19/14; A47G 19/32; A47G 19/34; A47J  
42/34  
See application file for complete search history.

(56) **References Cited**

**U.S. PATENT DOCUMENTS**

- D1,930 S \* 4/1864 Moore ..... 42/71.01
- D2,027 S \* 1/1865 Hickcox ..... D22/104
- D7,933 S \* 12/1874 Richards ..... D22/104
- D13,815 S \* 3/1883 Ritchel ..... D21/574
- D13,816 S \* 3/1883 Ritchel ..... D21/575
- D19,090 S \* 5/1889 Harrington et al. .... D22/105
- 438,139 A \* 10/1890 Blackmer ..... F41C 3/06  
42/54
- D37,941 S \* 4/1906 Rogers ..... D19/80
- 907,315 A \* 12/1908 Cowing ..... F41C 3/06  
42/54

- 1,133,235 A \* 3/1915 Paprian ..... A63H 27/14  
446/39
- 1,467,918 A \* 9/1923 Bixler ..... F41C 3/06  
42/54

(Continued)

**OTHER PUBLICATIONS**

Train passenger carrying 99p plastic toy gun, [online], published on Nov. 24, 2011, retrieved on Dec. 31, 2015. Retrieved from, <URL: <http://www.dailymail.co.uk/news/article-2065791/Train-passenger-carrying-99p-plastic-toy-gun-Tasered-times-armed-police.html>>, 1 page.\*

*Primary Examiner* — Ian Simmons  
*Assistant Examiner* — Shannon Morgan  
(74) *Attorney, Agent, or Firm* — Buckingham, Doolittle & Burroughs, LLC

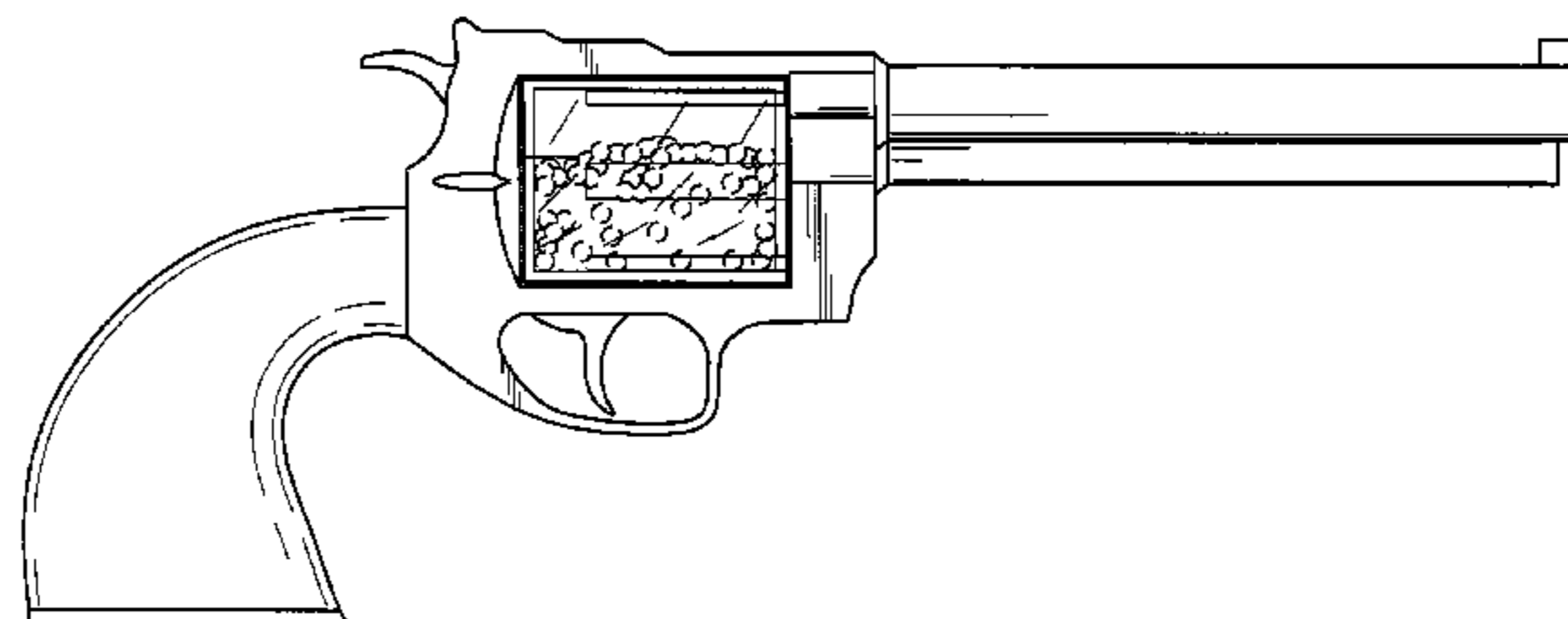
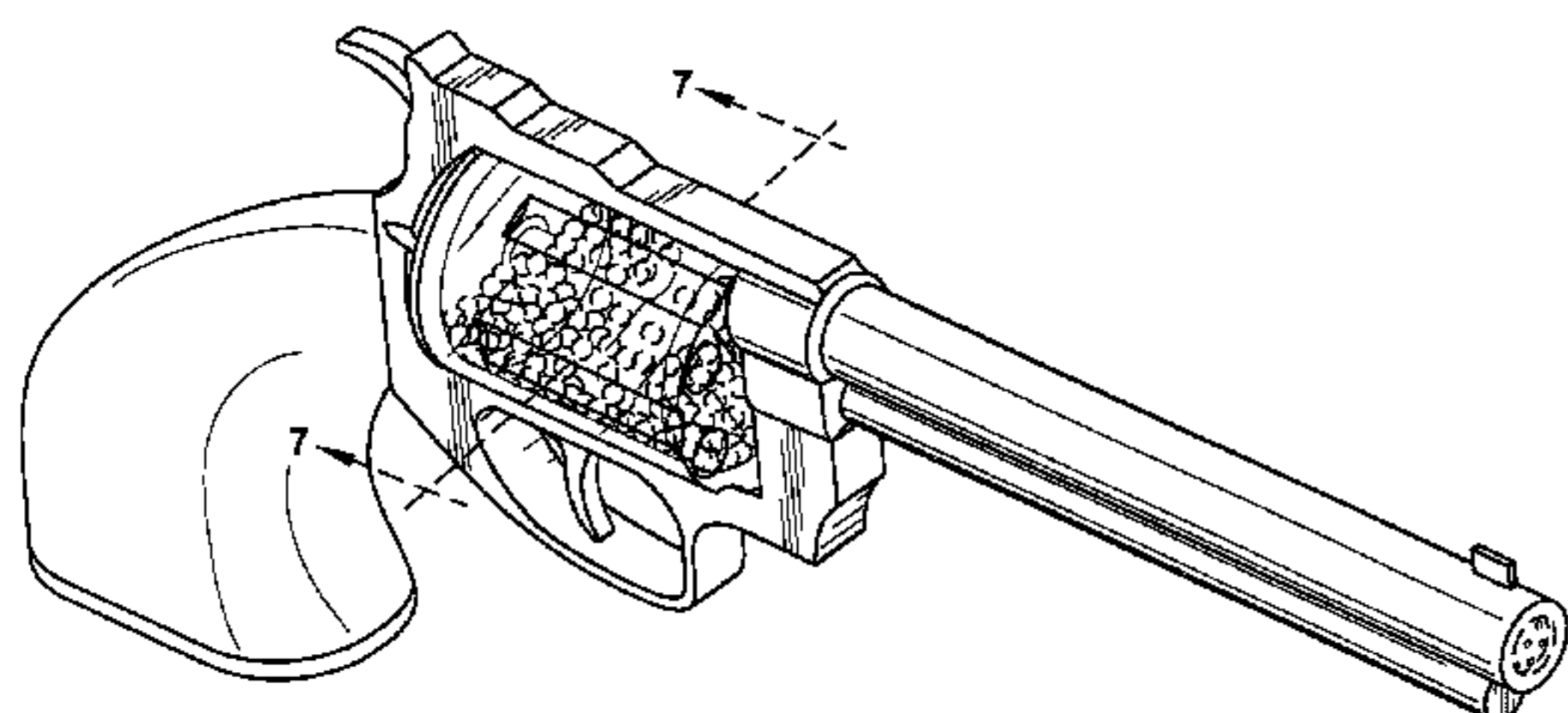
(57) **CLAIM**

I claim the ornamental design for a seasoning dispenser, as shown and described.

**DESCRIPTION**

FIG. 1 is a perspective view of the seasoning dispenser showing my new design;  
FIG. 2 is a left side elevational view thereof;  
FIG. 3 is a top plan view thereof;  
FIG. 4 is a bottom plan view thereof;  
FIG. 5 is a rear side elevational view thereof;  
FIG. 6 is a front side elevational view thereof;  
FIG. 7 is a sectional view of the seasoning dispenser taken along line 7-7 of FIG. 1;  
FIG. 8 is an exploded left side elevational thereof; and,  
FIG. 9 is another left side elevational view.  
The broken lines showing peppercorns in FIGS. 1-4 and 6-9, batteries in FIG. 8, and a dispenser holder and second seasoning dispenser containing salt in FIG. 9 are for purpose of illustrating environment, and form no part of the claimed design.

**1 Claim, 7 Drawing Sheets**



(56)

References Cited

U.S. PATENT DOCUMENTS

1,488,046 A *	3/1924	Hartman	.....	F41C 3/06	42/54	3,624,946 A *	12/1971	Cagnoni	.....	F41C 3/04	42/54
D71,190 S *	10/1926	Kelly	.....	D22/104		D239,113 S *	3/1976	Findlay	.....	D22/104	
1,718,247 A *	6/1929	McWhirter	.....	F41C 3/06	42/54	D239,282 S *	3/1976	Kennedy et al.	.....	D22/104	
1,729,917 A *	10/1929	Webb	.....	F41B 7/025	124/18	D239,771 S *	5/1976	Parisi	.....	D22/104	
1,868,312 A *	7/1932	Coventry	.....	F41B 7/025	124/18	3,999,320 A *	12/1976	Zaubzer	.....	F41C 3/04	42/1.08
D93,819 S *	11/1934	Frisbie	.....	D21/574		4,573,244 A	3/1986	Holcomb et al.			
D132,661 S *	6/1942	Brubaker	.....	D21/574		4,619,064 A *	10/1986	Stolz	.....	F41C 9/00	42/54
D138,566 S *	8/1944	Bollmeier	.....	D21/574		D289,126 S	4/1987	Holcomb et al.			
D138,595 S *	8/1944	Jack	.....	42/65		4,697,749 A	10/1987	Holcomb et al.			
2,382,514 A *	8/1945	Smith	.....	F41B 7/006	124/27	D296,349 S *	6/1988	Ruger	.....	D22/104	
D167,396 S *	8/1952	Eigen	.....	D21/575		D297,344 S *	8/1988	Ruger	.....	D22/104	
D167,429 S *	8/1952	Sewell	.....	D21/574		5,050,480 A *	9/1991	Knight, Jr.	.....	F41A 5/06	42/7
D173,426 S *	11/1954	Gurtov	.....	D17/12		5,199,655 A	4/1993	Yang			
2,774,513 A *	12/1956	Miller	.....	A47G 19/24	222/39	D380,351 S *	7/1997	Jeppesen	.....	D7/597	
D205,365 S *	7/1966	Ferri et al.	.....	D21/574		5,730,374 A	3/1998	Wu			
D212,751 S *	11/1968	Ruger	.....	D22/104		5,988,543 A	11/1999	Wu			
D218,631 S *	9/1970	Hyter	.....	D21/574		D428,467 S *	7/2000	Petrosyan	.....	D22/100	
D221,451 S *	8/1971	Hewett	.....	472/51		6,568,616 B1	5/2003	Tang			
						6,616,076 B2	9/2003	Wong			
						6,676,052 B2	1/2004	Wu			
						6,948,671 B2	9/2005	Wu			
						D576,453 S	9/2008	Kavanaugh			
						D581,742 S *	12/2008	Krus	.....	D7/591	
						D636,031 S *	4/2011	Torre	.....	D21/573	

\* cited by examiner

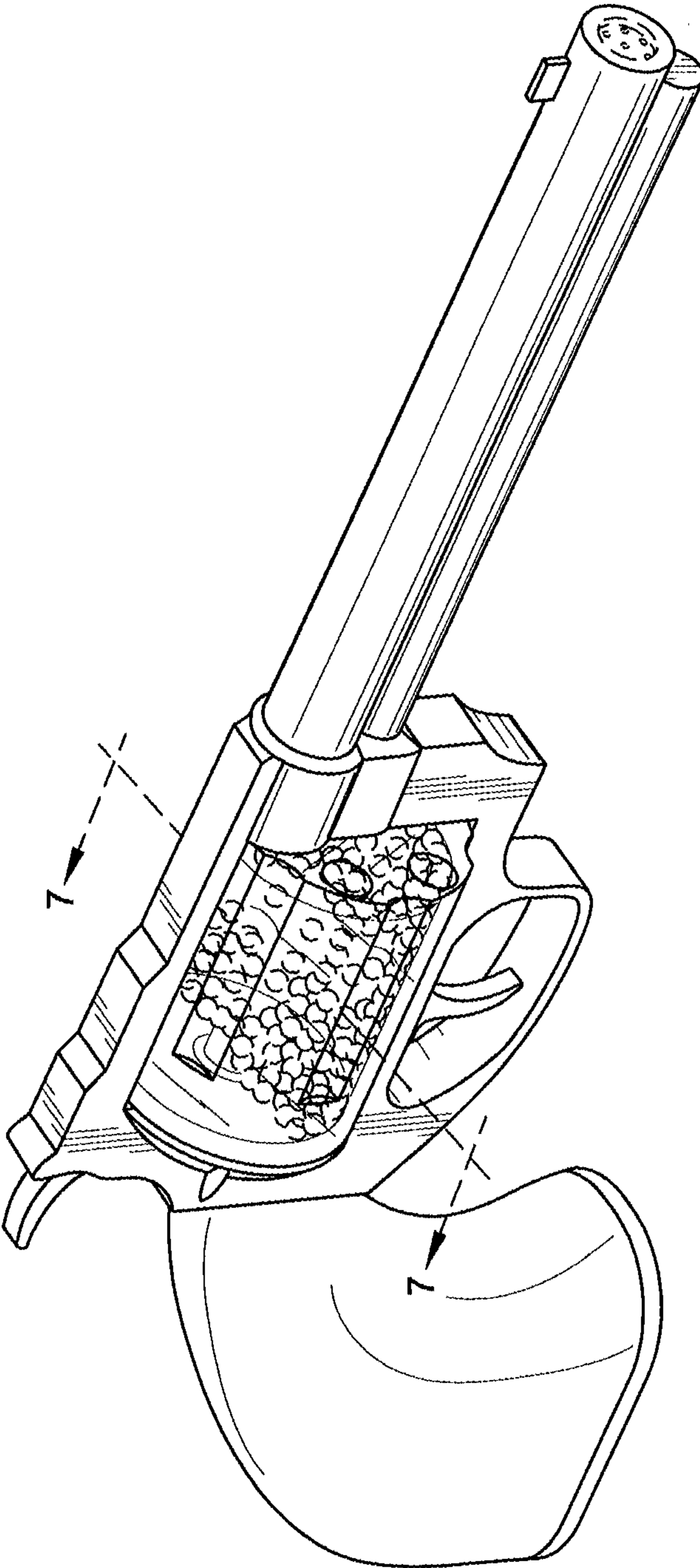


FIG. 1

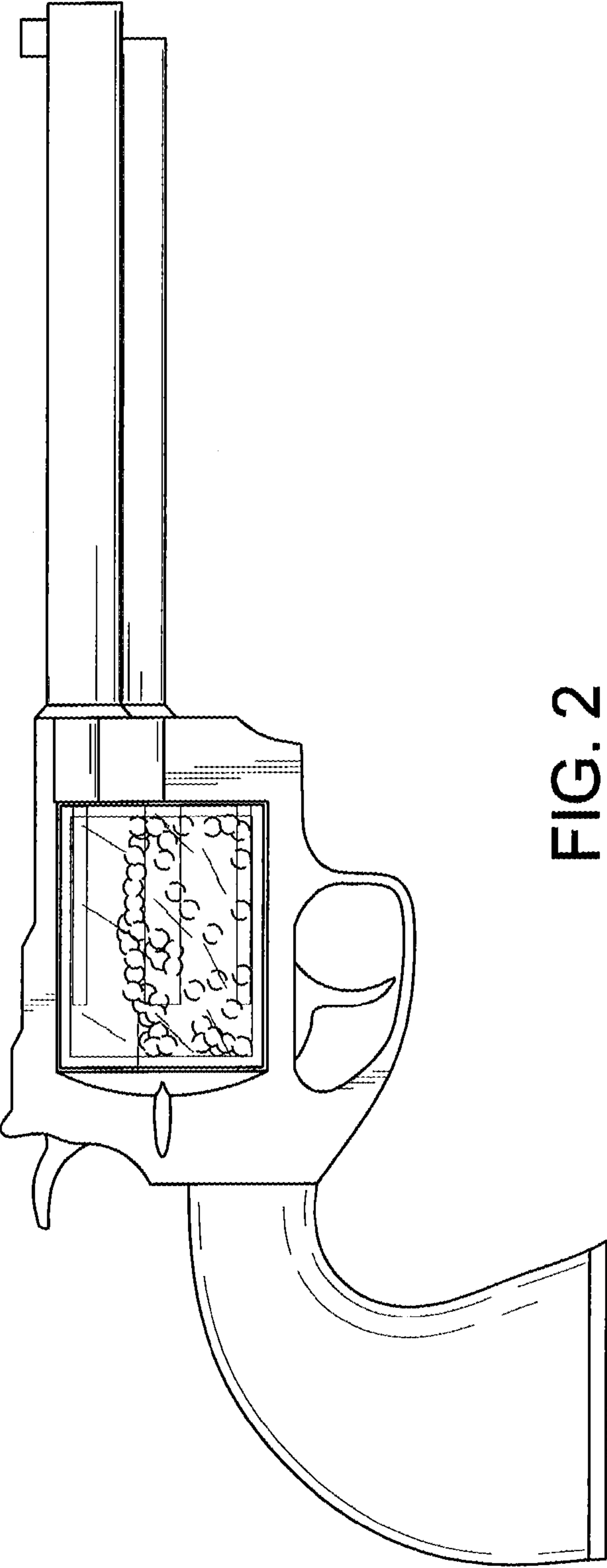


FIG. 2

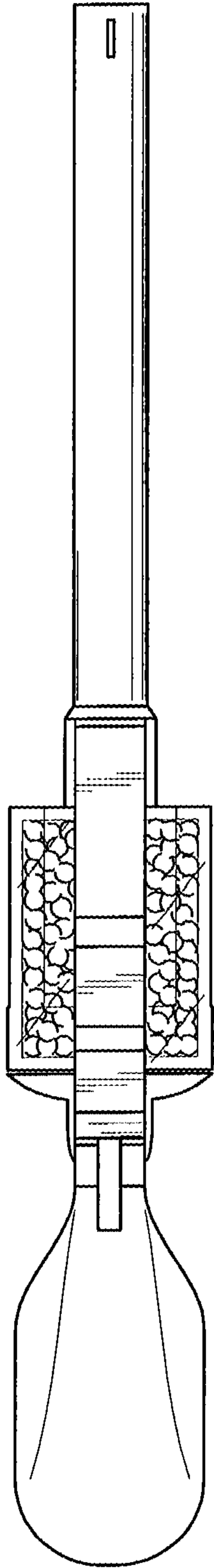


FIG. 3

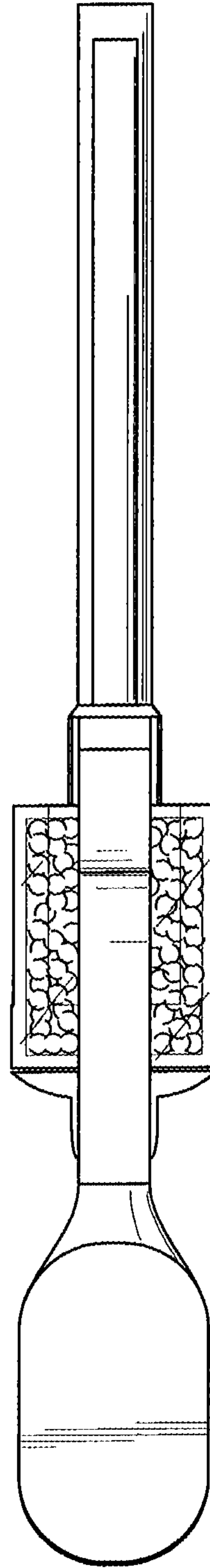


FIG. 4

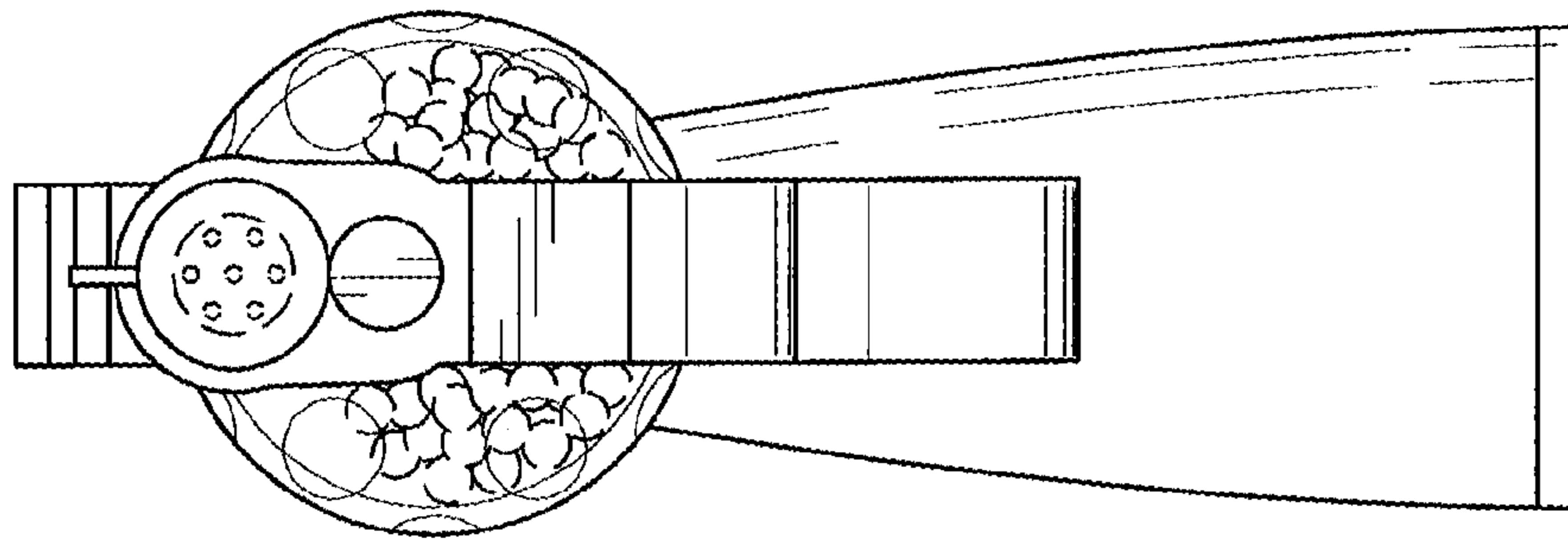


FIG. 6

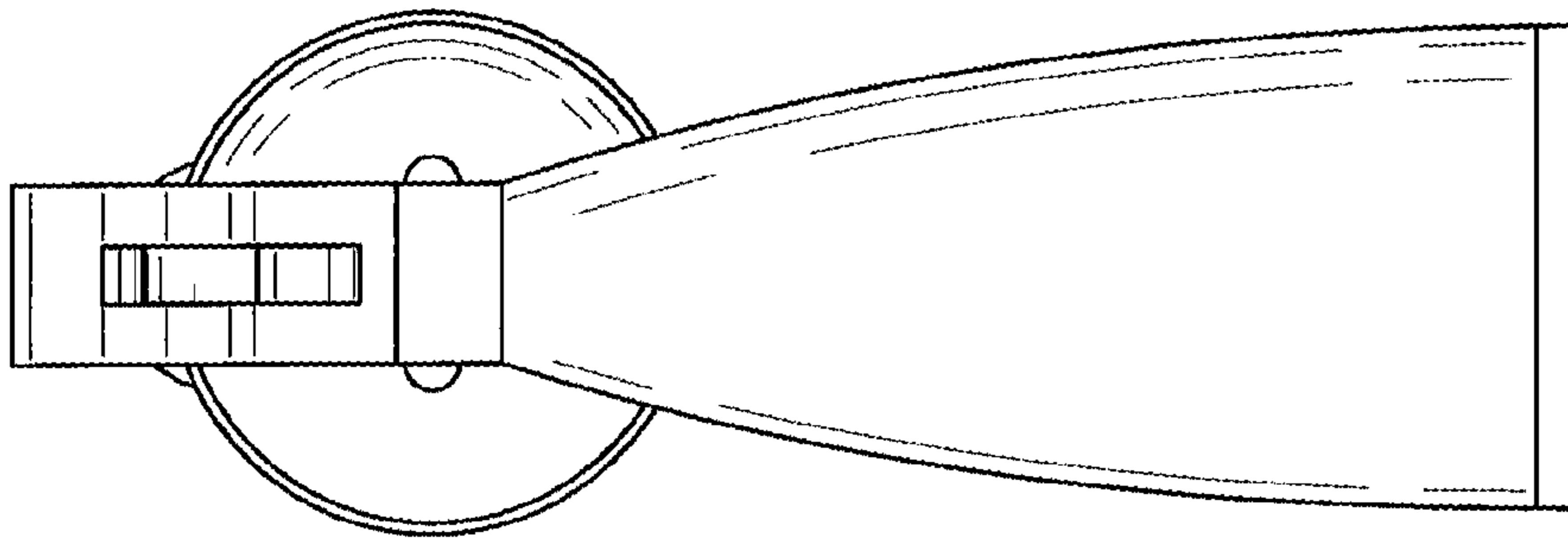


FIG. 5

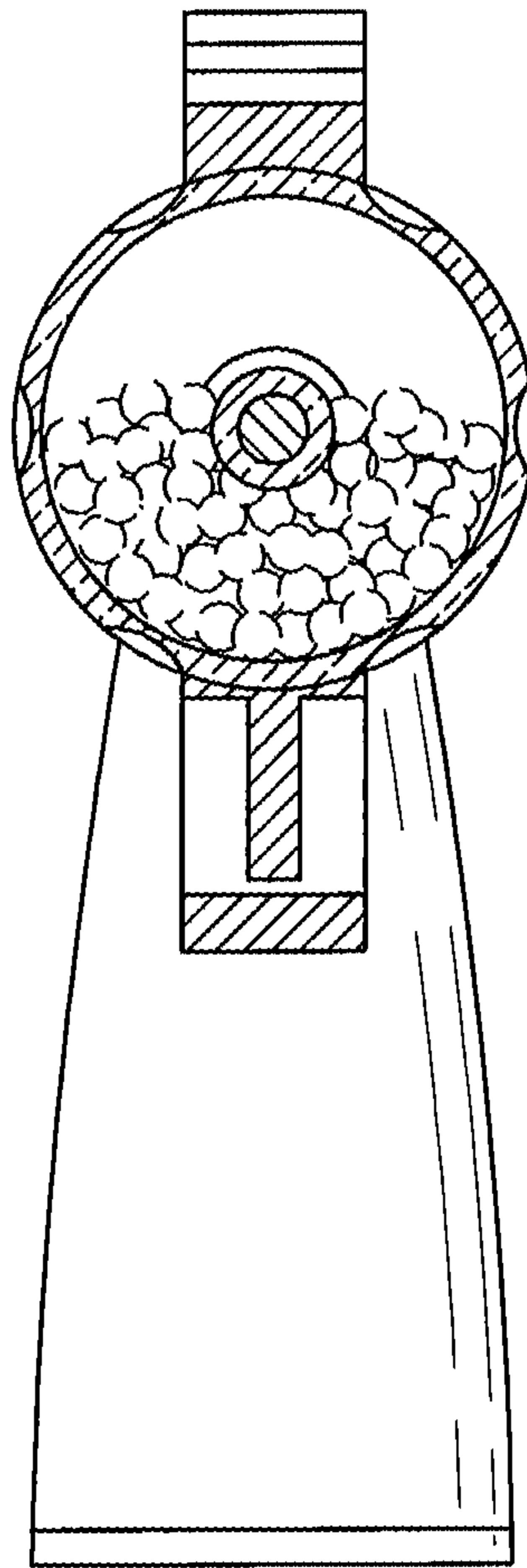


FIG. 7

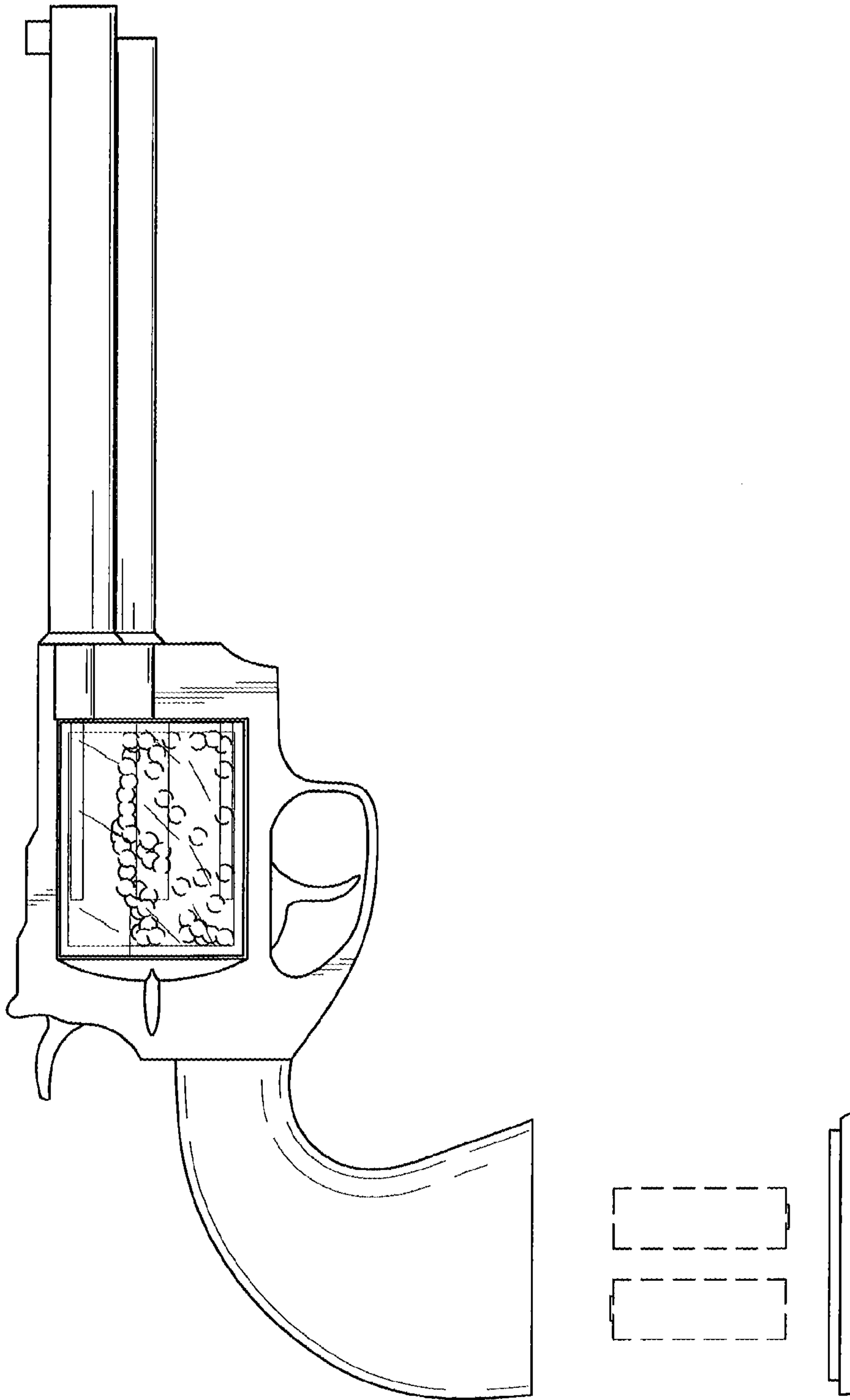


FIG. 8



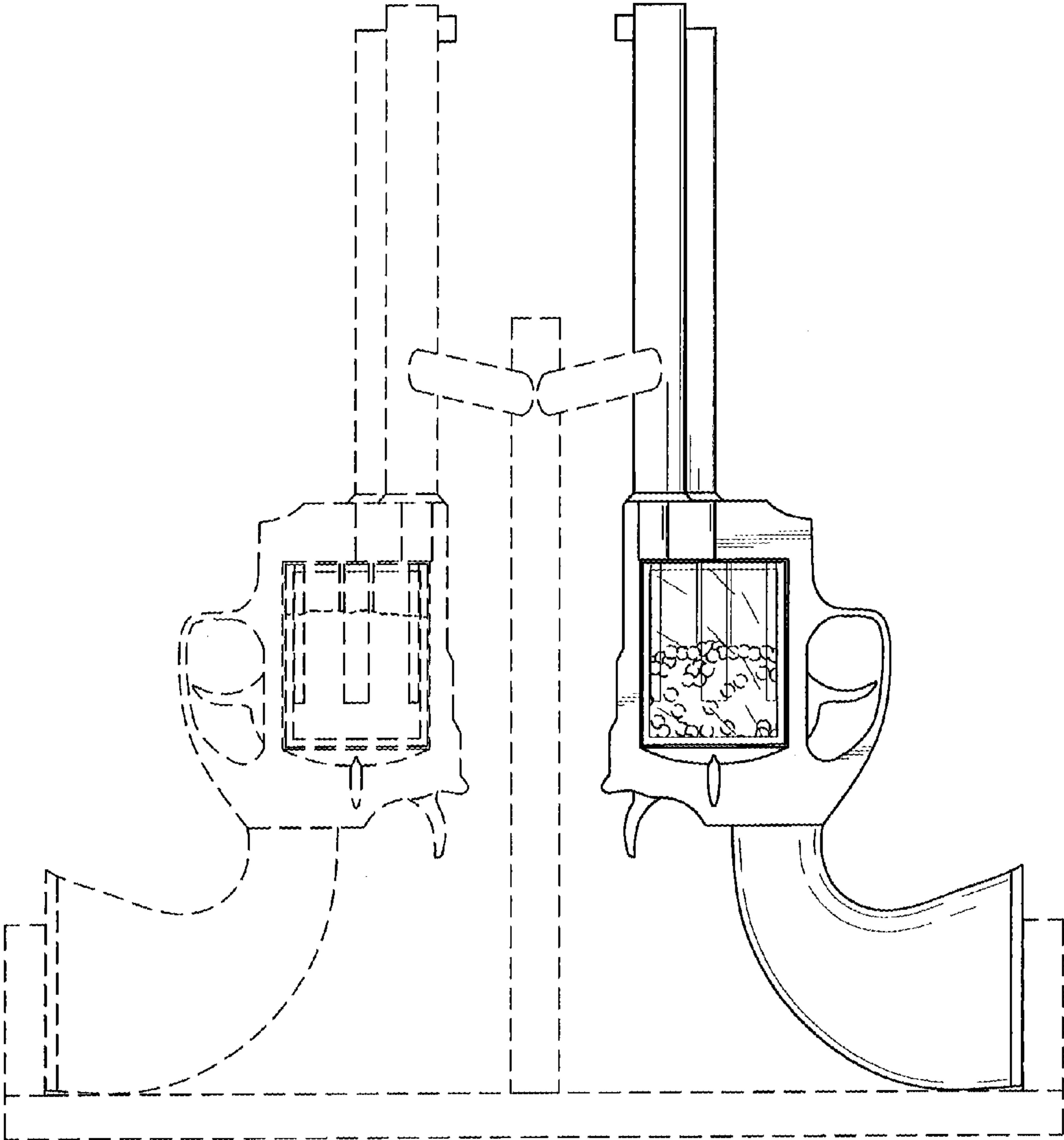


FIG. 9