



US00D777520S

(12) **United States Design Patent**
Singlaub

(10) **Patent No.:** **US D777,520 S**

(45) **Date of Patent:** **** Jan. 31, 2017**

- (54) **BEVERAGE CONTAINER**
- (71) Applicant: **Hannovation, LLC**, Bend, OR (US)
- (72) Inventor: **Niki Singlaub**, Bend, OR (US)
- (73) Assignee: **Hydaway, LLC**, Bend, OR (US)
- (**) Term: **15 Years**
- (21) Appl. No.: **29/530,634**
- (22) Filed: **Jun. 18, 2015**
- (51) **LOC (10) Cl.** **07-01**
- (52) **U.S. Cl.**
USPC **D7/532; D7/523; D7/512**
- (58) **Field of Classification Search**
USPC D7/500, 501, 505, 507, 509, 510, 511,
D7/512, 523, 532, 534, 608, 607, 550.1,
D7/553.1, 553.2, 554.3, 555, 669, 667;
D9/414, 430, 431, 740, 759, 756, 440,
D9/551, 556, 559, 562, 569, 504, 503,
D9/447; D3/203.3, 203.2, 205, 283, 202,
D3/288, 903, 901; D28/77, 83, 4; D19/77,
D19/92, 81, 90, 95, 65, 102, 103, 105,
D19/106, 107, 109; D6/301; 215/388;
220/703, 669, 667, 62.12, 592.16, 592.17,
220/666; D24/197
CPC .. A47G 19/30; A47G 19/022; A47G 23/0608;
A47G 23/0633; A47G 23/06; A47G
2019/2277; A45F 2003/205; B65D
21/086; B65D 1/0292; Y10S 215/90
See application file for complete search history.

- 3,270,905 A * 9/1966 Kroekel B21D 51/24
220/581
- 3,353,700 A * 11/1967 Kalina B65D 7/04
220/6
- 3,434,589 A 3/1969 Valtri
- 3,471,058 A * 10/1969 Latham B65D 21/086
190/107
- 3,939,888 A 2/1976 Scarnato
- D242,416 S * 11/1976 Achenbach D7/532
- D243,816 S * 3/1977 Achenbach D7/532
- D330,993 S * 11/1992 Robbins, III D7/510
- 5,310,072 A * 5/1994 Matusovsky A47G 23/0216
220/23.83
- 5,439,128 A 8/1995 Fishman
- 5,447,110 A * 9/1995 Brown B65D 1/0292
141/114
- 5,573,129 A * 11/1996 Nagata B65D 1/0292
215/382
- 5,584,413 A * 12/1996 Jung B65D 1/0292
215/382
- D388,509 S * 12/1997 Hsiao D23/328
- D394,212 S 5/1998 Mazda
- D397,930 S 9/1998 Mazda
- D397,931 S 9/1998 Mazda

(Continued)

Primary Examiner — Marianne Pandozzi
Assistant Examiner — Jae Liang
(74) *Attorney, Agent, or Firm* — Antoinette M Tease

(57) **CLAIM**

The ornamental design for a beverage container, as shown and described.

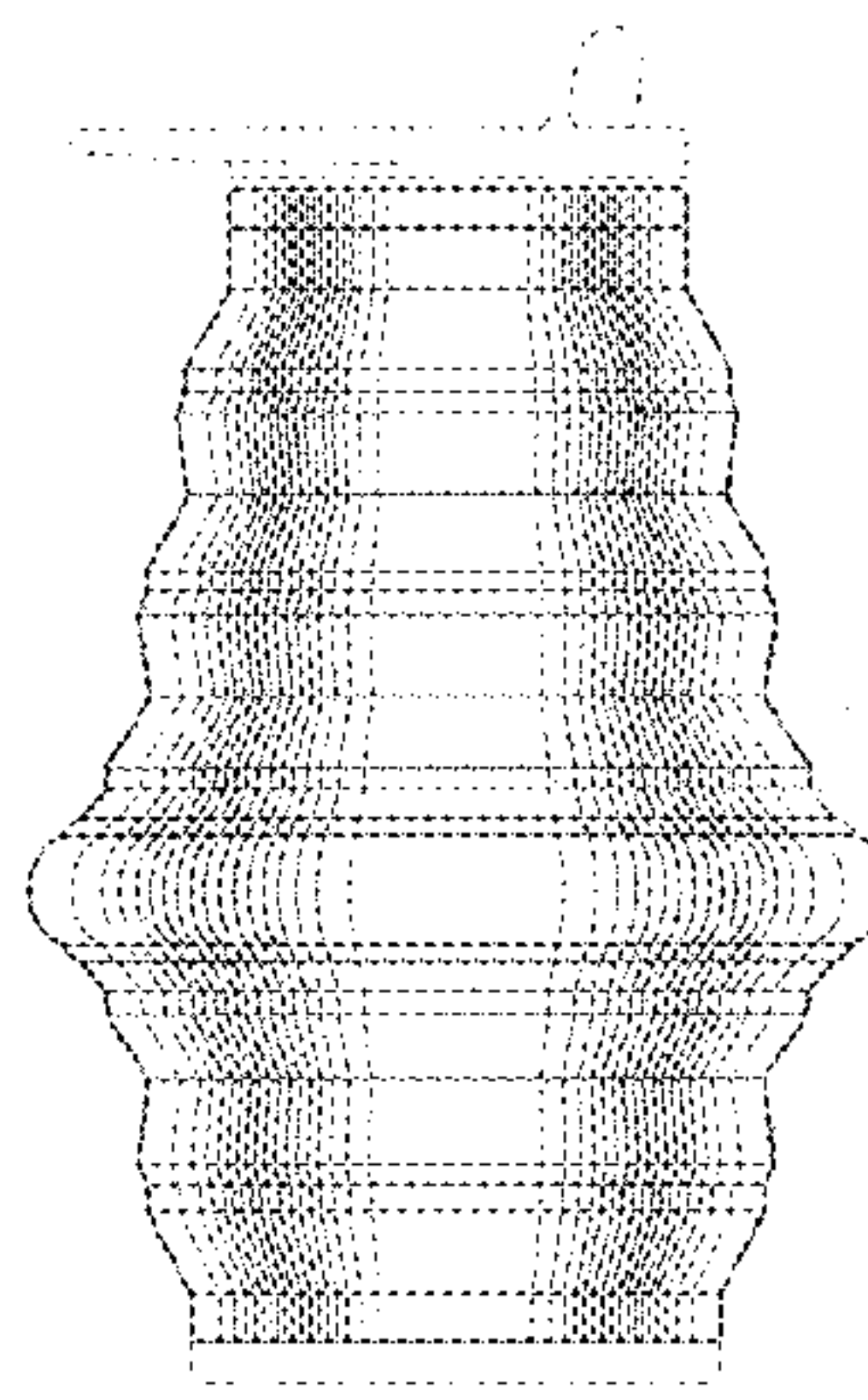
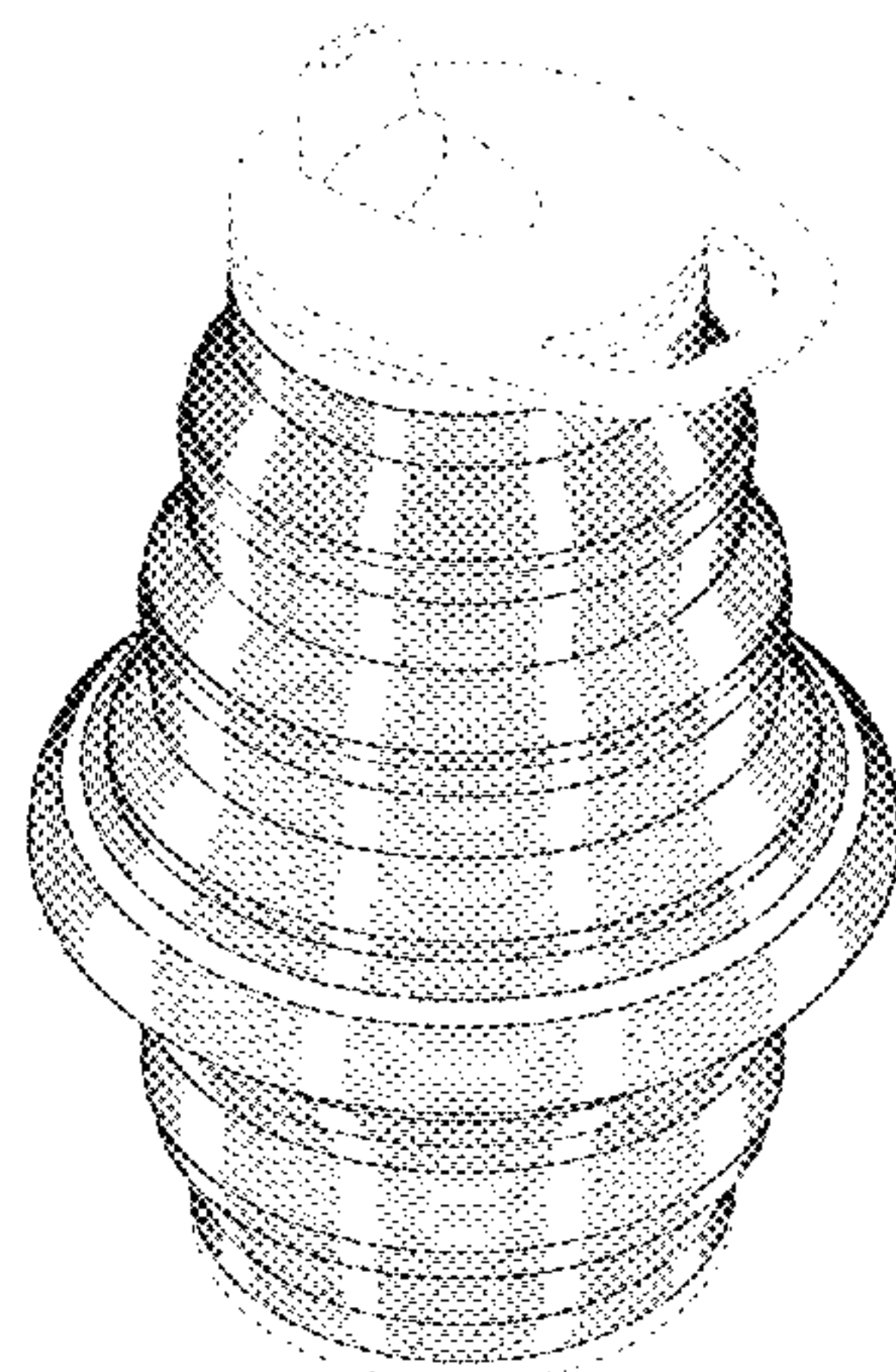
DESCRIPTION

FIG. 1 is a top perspective view of a beverage container showing my new design;
FIG. 2 is a bottom perspective view thereof;
FIG. 3 is a top view thereof;
FIG. 4 is a bottom view thereof;
FIG. 5 is a first side view thereof;
FIG. 6 is a second side view thereof;
FIG. 7 is a front view thereof; and,
FIG. 8 is a rear view thereof.

(Continued)

(56) **References Cited**
U.S. PATENT DOCUMENTS

- 781,939 A * 2/1905 Fulton B65D 88/02
138/30
- 2,410,010 A * 10/1946 Brant B01D 23/28
210/314
- D154,999 S * 8/1949 Eratico D9/503
- 3,143,429 A * 8/1964 Swanson A61J 9/005
215/11.3



The broken lines in the drawing depict portions of the beverage container that form no part of the claimed design.

1 Claim, 3 Drawing Sheets

(56)

References Cited

U.S. PATENT DOCUMENTS

D397,932 S 9/1998 Mazda
 D397,933 S 9/1998 Mazda
 D432,359 S * 10/2000 Madden-Askew D7/532
 D483,225 S 12/2003 Gain
 6,666,329 B1 * 12/2003 Charbonneau A61J 7/0046
 206/218
 6,811,051 B2 * 11/2004 Higuchi B65D 1/165
 220/666
 D503,073 S * 3/2005 Lapsker D7/523
 D544,303 S * 6/2007 Strepkoff D7/512

D608,161 S 1/2010 Olivari
 7,654,402 B2 * 2/2010 Kusuma B65D 21/086
 220/666
 D614,446 S * 4/2010 King D7/507
 7,819,263 B1 10/2010 DiCarlo-Nelson
 8,118,182 B1 * 2/2012 Licari A45F 3/20
 215/11.1
 D664,003 S * 7/2012 Nagoya D7/400
 D675,482 S * 2/2013 Heggstad D7/400
 8,485,388 B2 * 7/2013 Tuan A47G 19/12
 206/218
 8,556,099 B2 * 10/2013 Perlman A45F 3/20
 206/217
 8,887,942 B2 * 11/2014 Miksovsky A45F 3/20
 206/218
 9,044,082 B2 * 6/2015 Kusuma A45F 3/20
 D756,705 S * 5/2016 Abrams D7/510
 2010/0140294 A1 6/2010 Bourguignon et al.
 2012/0152885 A1 6/2012 Munoz
 2012/0227860 A1 9/2012 Jeremiah
 2013/0277364 A1 10/2013 Kusuma et al.

* cited by examiner

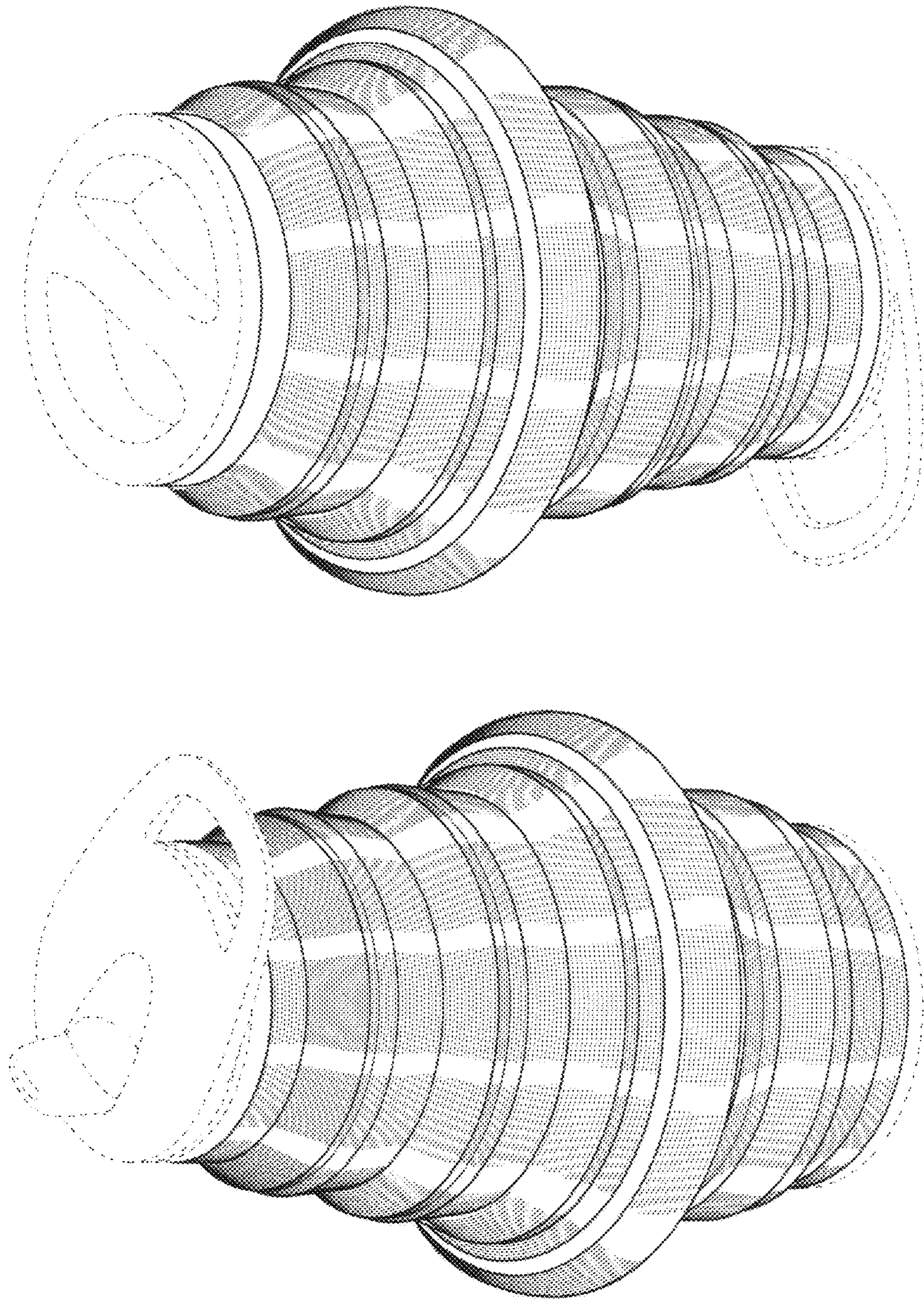


Fig. 2

Fig. 1

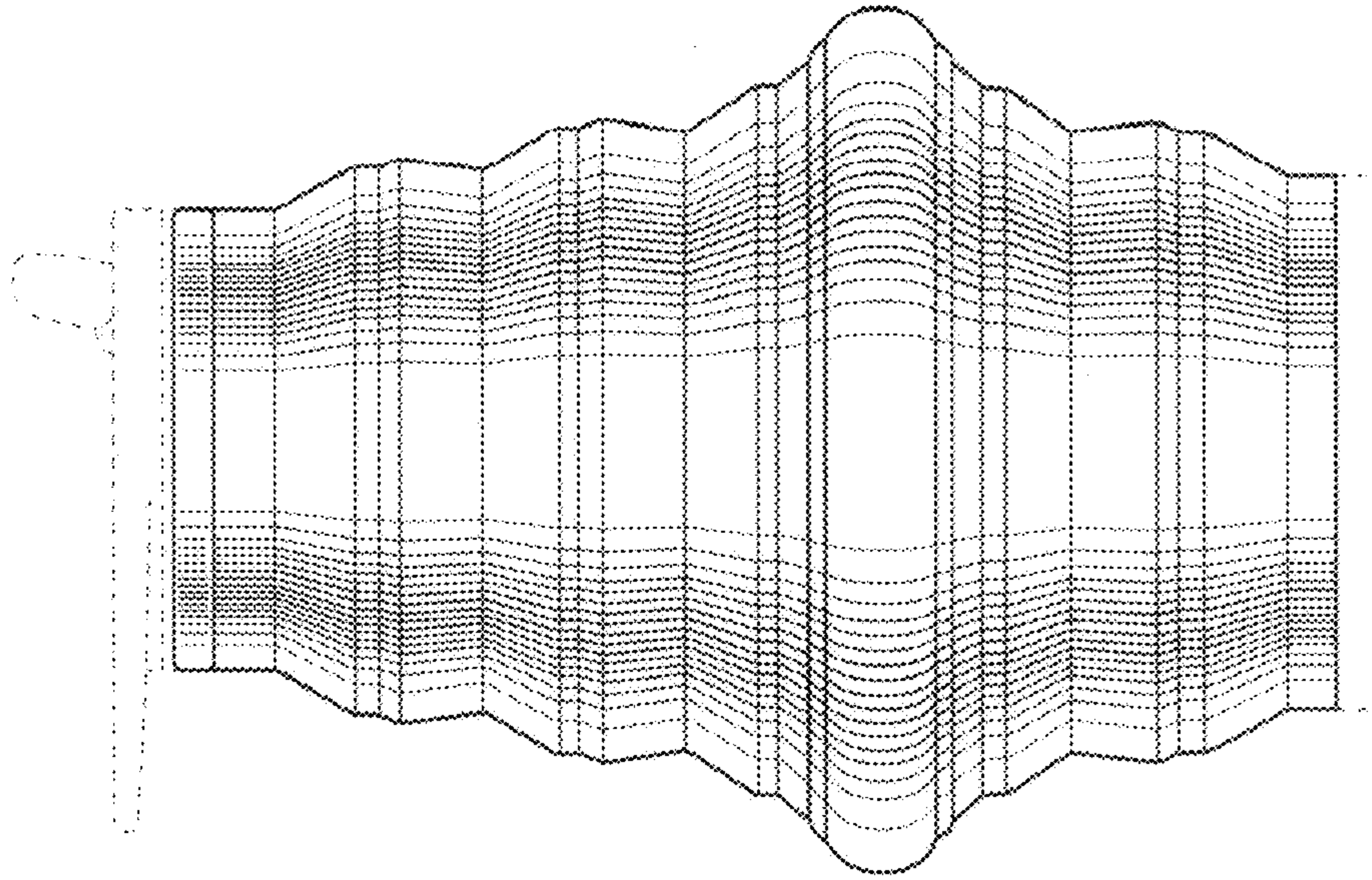


Fig. 5

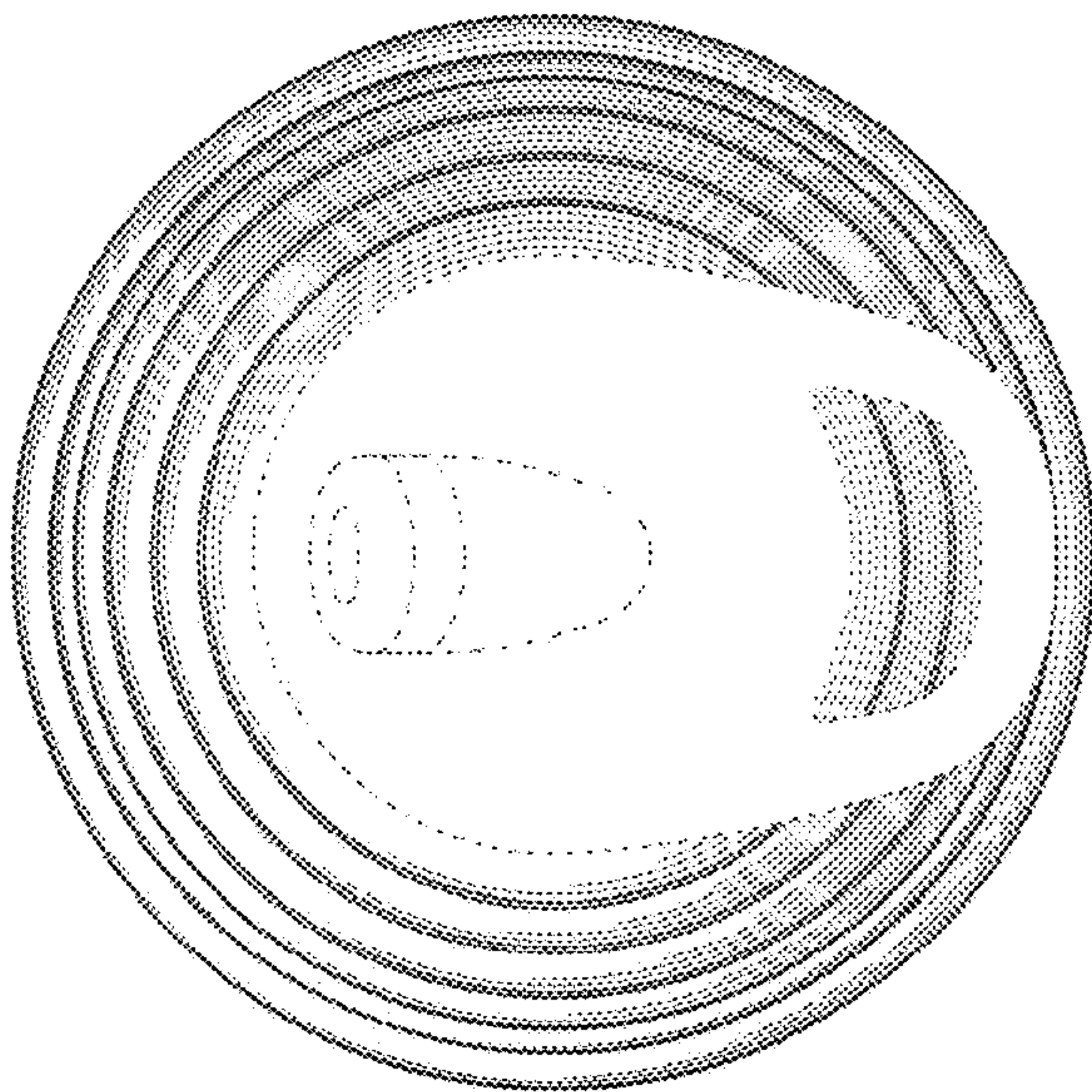


Fig. 3

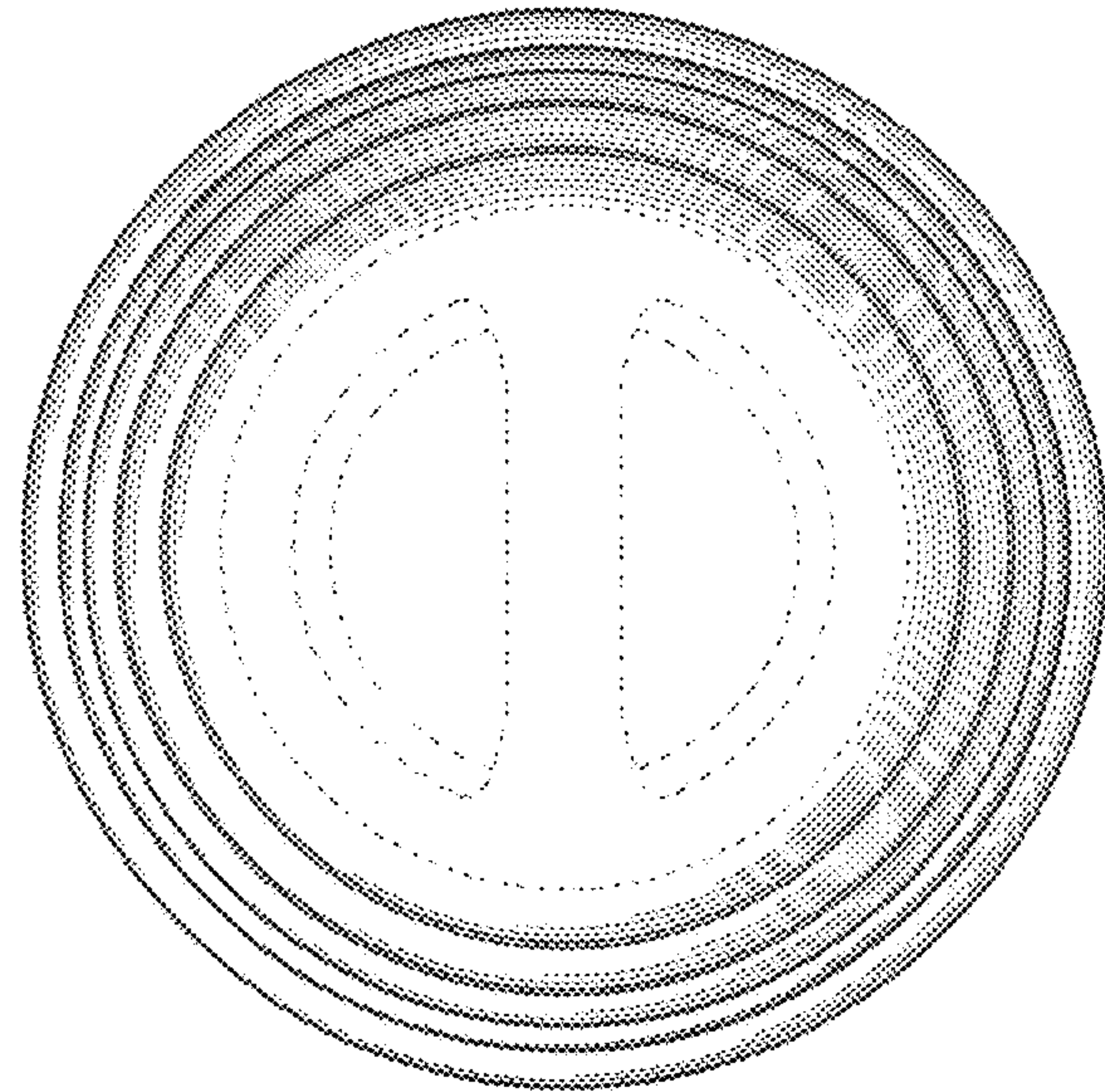


Fig. 4

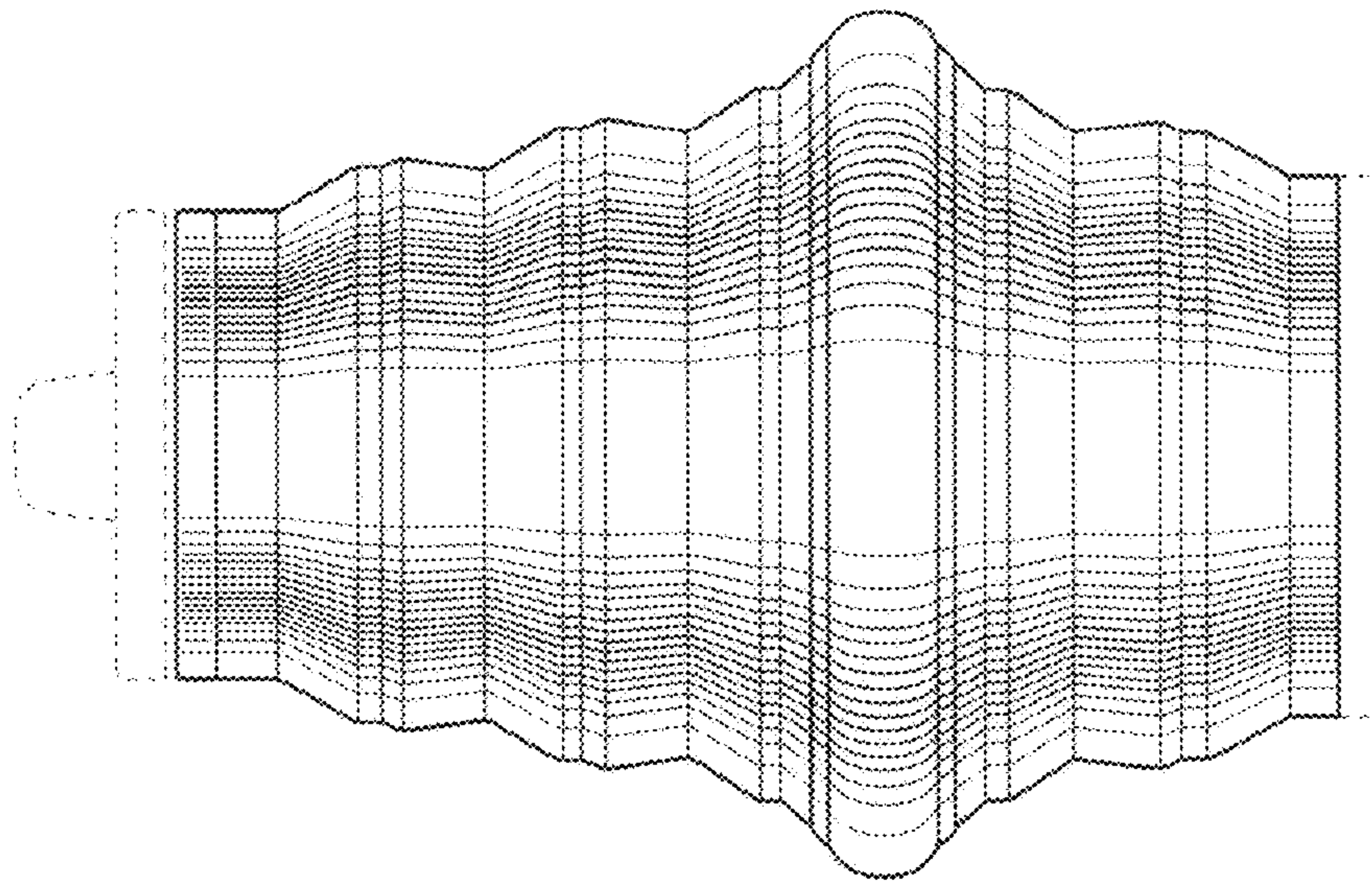


Fig. 8

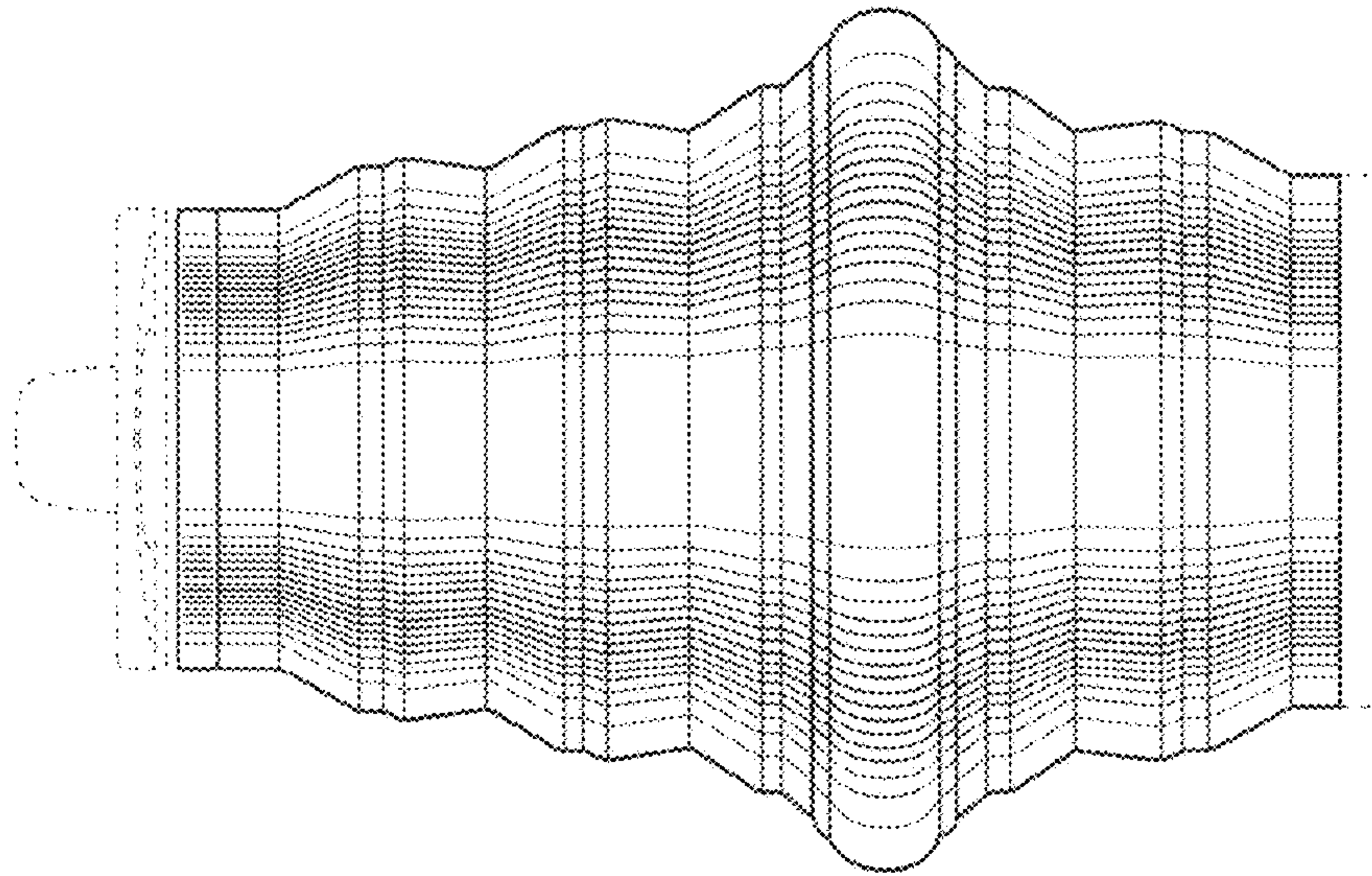


Fig. 7

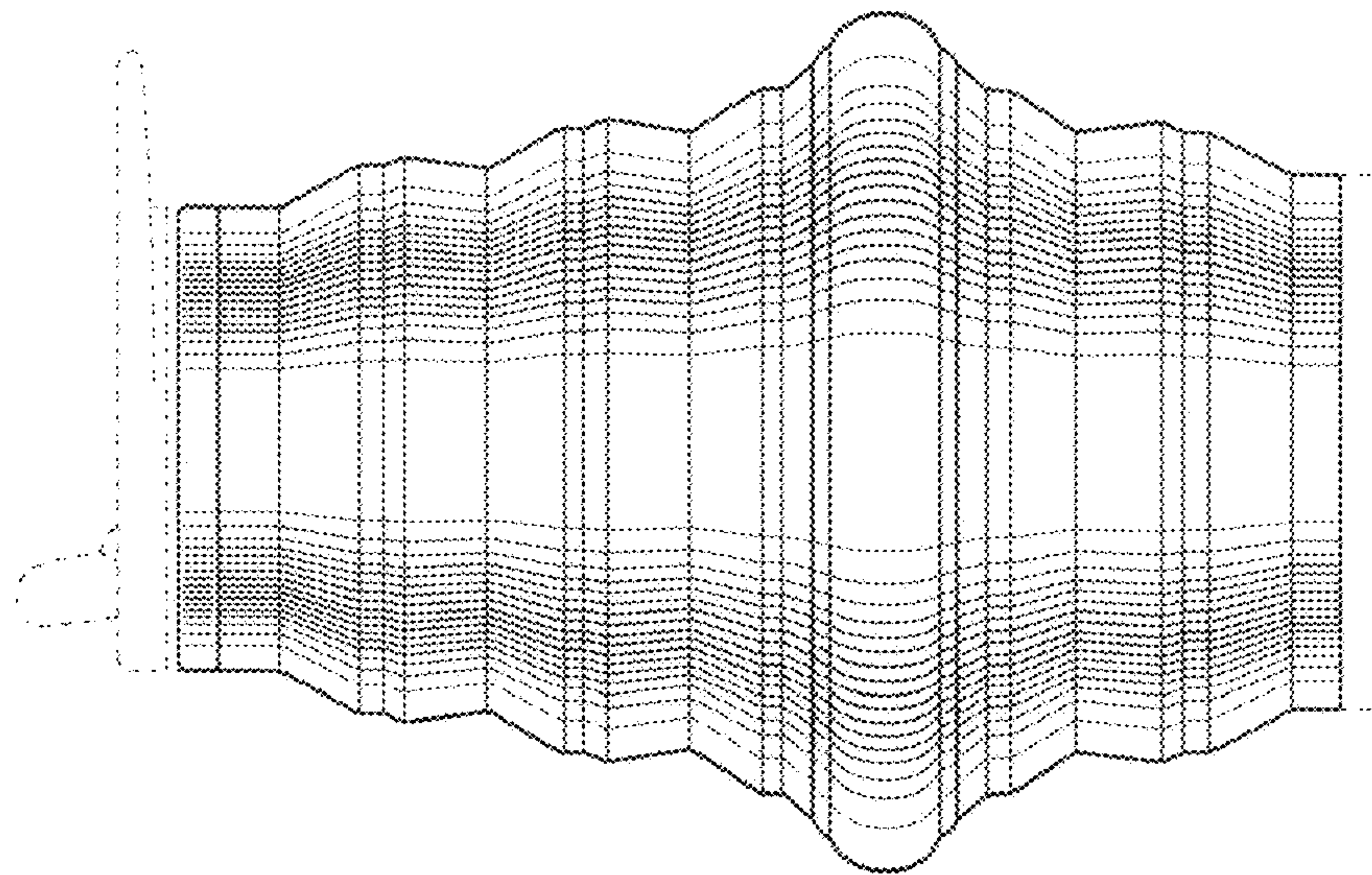


Fig. 6