



US00D777516S

(12) **United States Design Patent**
Hunsaker

(10) **Patent No.:** **US D777,516 S**

(45) **Date of Patent:** **** Jan. 31, 2017**

(54) **FIRE BASKET FOR SMOKER**
(71) Applicant: **D. Mark Hunsaker**, City of Columbia,
MO (US)
(72) Inventor: **D. Mark Hunsaker**, City of Columbia,
MO (US)

3,499,399 A * 3/1970 Kaufmann A47J 37/079
126/25 B
D374,371 S * 10/1996 Hall McDonald D7/332
6,059,849 A * 5/2000 Lewis A23B 4/052
44/530
D497,772 S * 11/2004 Bodum D7/417
2013/0004633 A1 * 1/2013 McMaster A23B 4/052
426/314
2014/0299005 A1 * 10/2014 Vinett A23B 4/052
99/482
2015/0132456 A1 * 5/2015 Cohen A23B 4/052
426/312

(**) Term: **14 Years**
(21) Appl. No.: **29/509,361**

* cited by examiner

(22) Filed: **Nov. 17, 2014**
(51) **LOC (10) Cl.** **07-02**
(52) **U.S. Cl.**
USPC **D7/417**
(58) **Field of Classification Search**
USPC D7/331-337, 352-358, 416, 417; 126/25 R,
126/9 R, 40, 38, 50, 9 B, 29, 30
CPC A47J 33/00; A47J 37/079; A47J 37/0704;
A47J 37/0786; A47J 37/0763; A47J
2037/0777; F24B 1/202; A23B
4/052; A23B 4/044

Primary Examiner — Susan Bennett Hattan
Assistant Examiner — Brett Miller
(74) *Attorney, Agent, or Firm* — Charles McCluskey

See application file for complete search history.

(57) **CLAIM**

The ornamental design for a fire basket for smoker, as shown and described.

DESCRIPTION

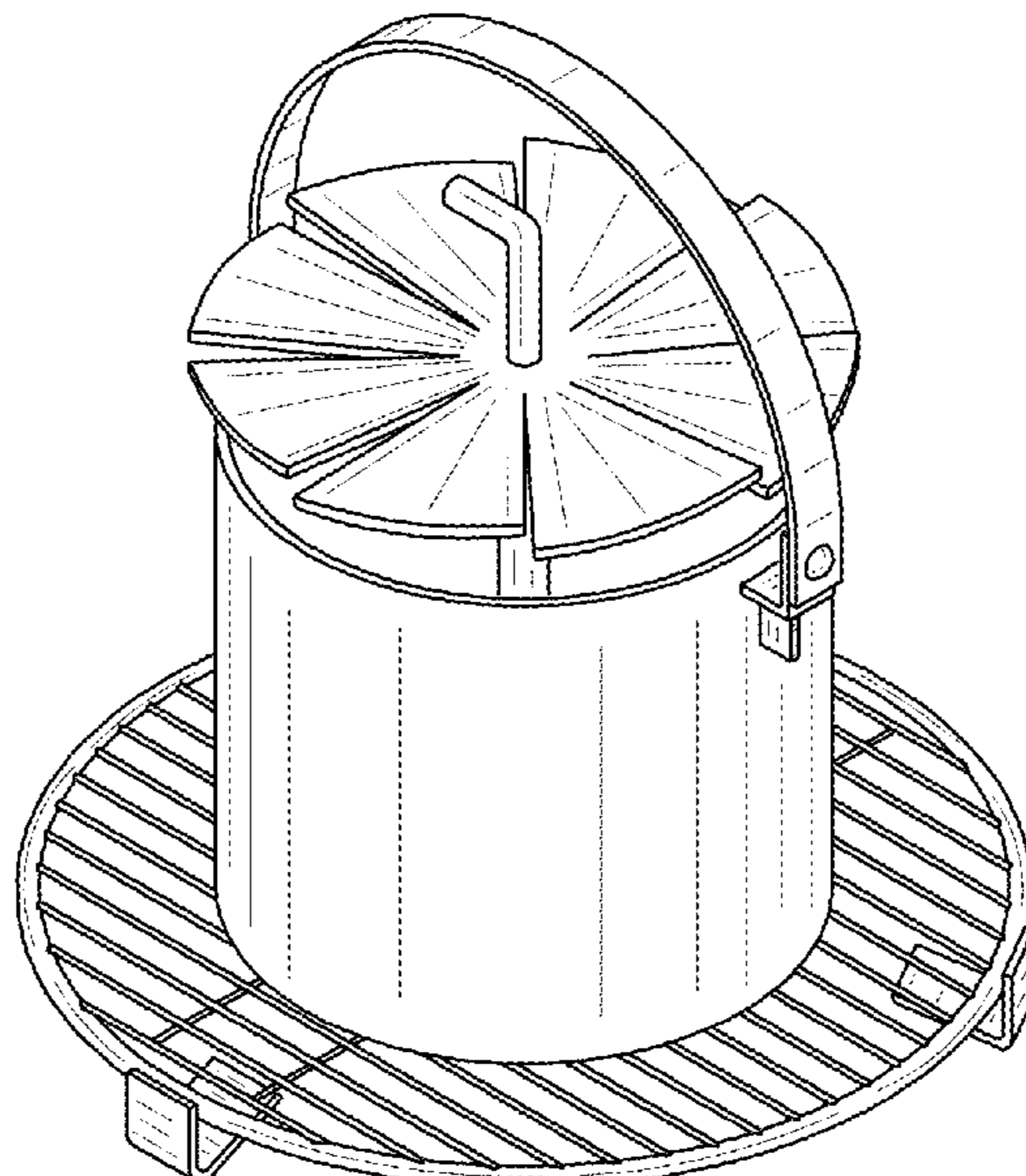
FIG. 1 is a perspective view;
FIG. 2 is a front view;
FIG. 3 is a back view;
FIG. 4 is a left side view;
FIG. 5 is a right side view;
FIG. 6 is a top view;
FIG. 7 is a bottom view;
FIG. 8 is an exploded view;
FIG. 9 is a sectional view view taken along 9-9 in FIG. 8;
and,
FIG. 10 is a perspective view of the invention in use.
The broken lines depict environment and form no part of the claim.

(56) **References Cited**

U.S. PATENT DOCUMENTS

1,966,945 A * 7/1934 Bowers F23H 13/00
126/25 B
3,093,129 A * 6/1963 Pickard, Jr. F24B 1/202
126/65
3,112,716 A * 12/1963 Knight A47J 37/079
126/168
3,116,704 A * 1/1964 Byars, Sr. A47J 37/079
126/162
3,216,379 A * 11/1965 Durfee A47J 37/079
126/163 R
3,228,319 A * 1/1966 Miller A47J 37/0718
126/25 R

1 Claim, 6 Drawing Sheets



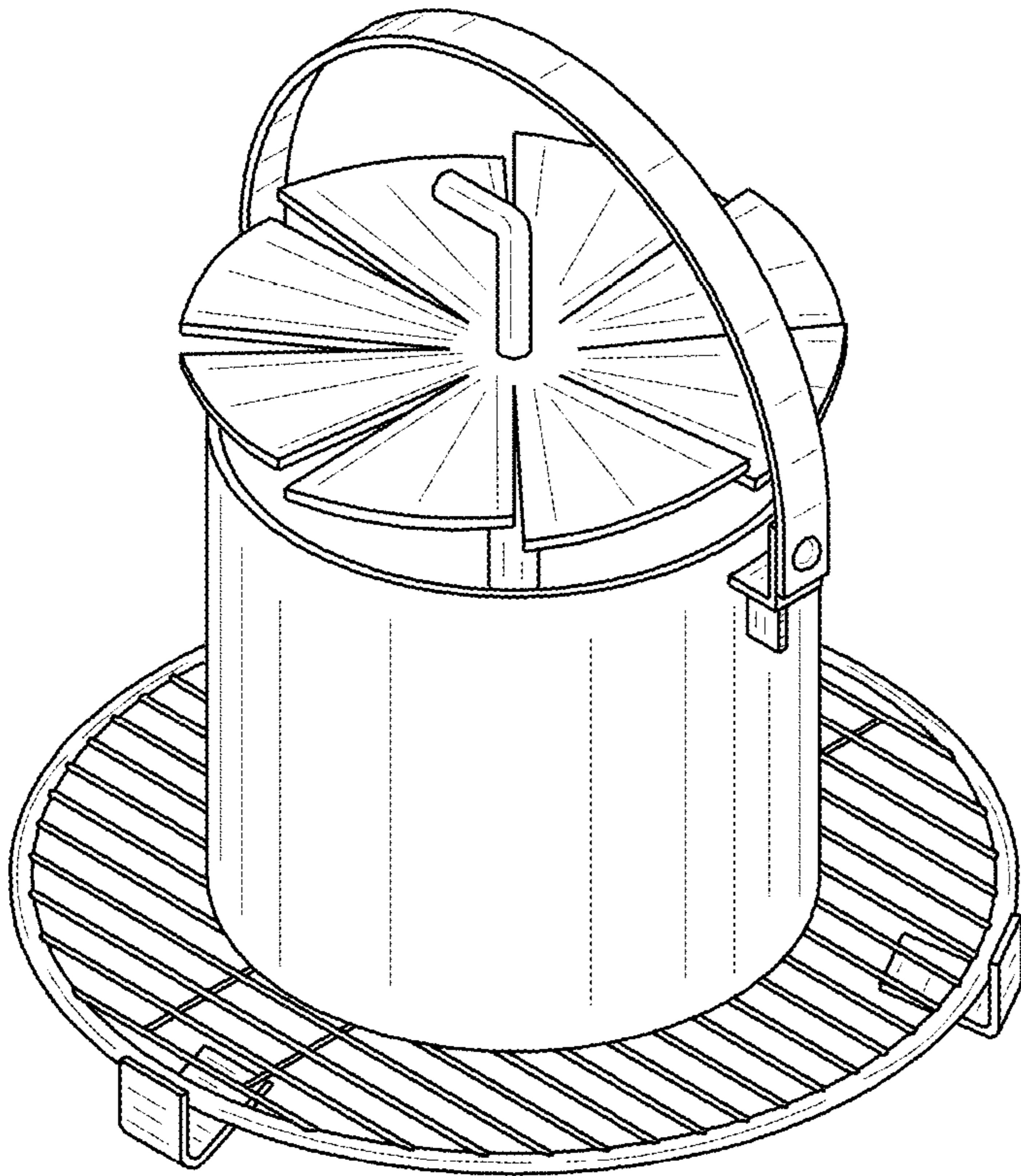


FIG. 1

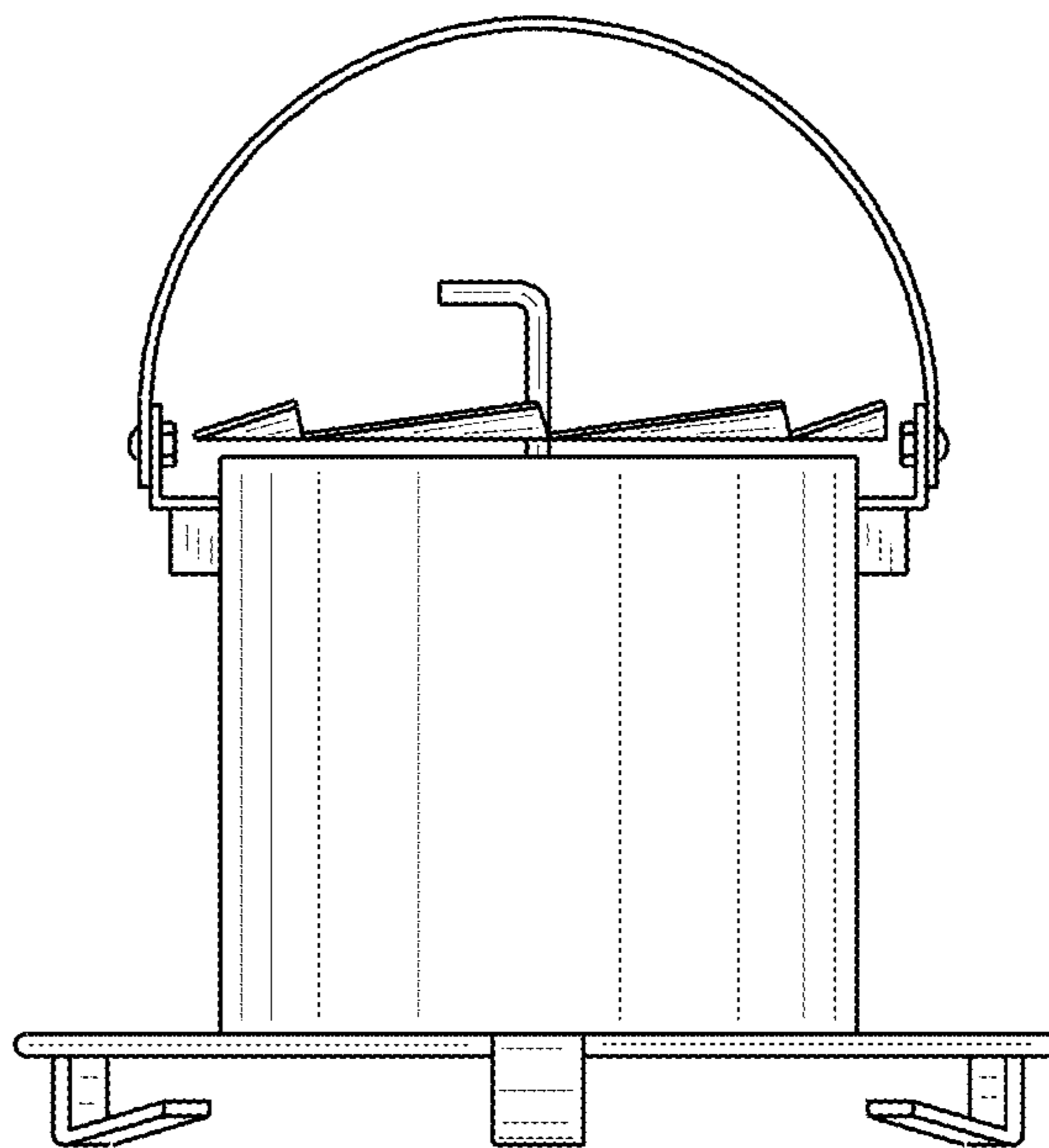


FIG. 2

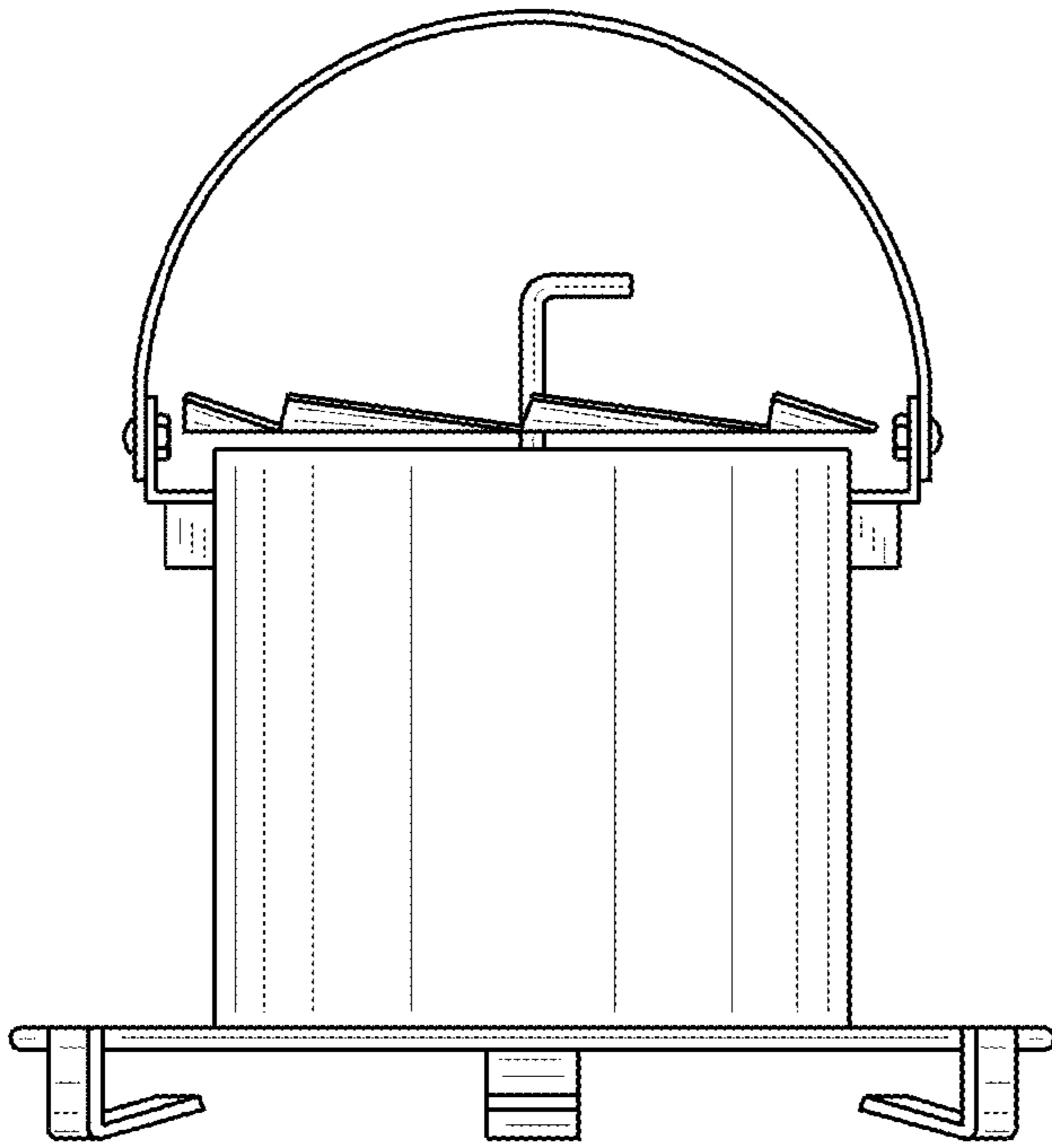


FIG. 3

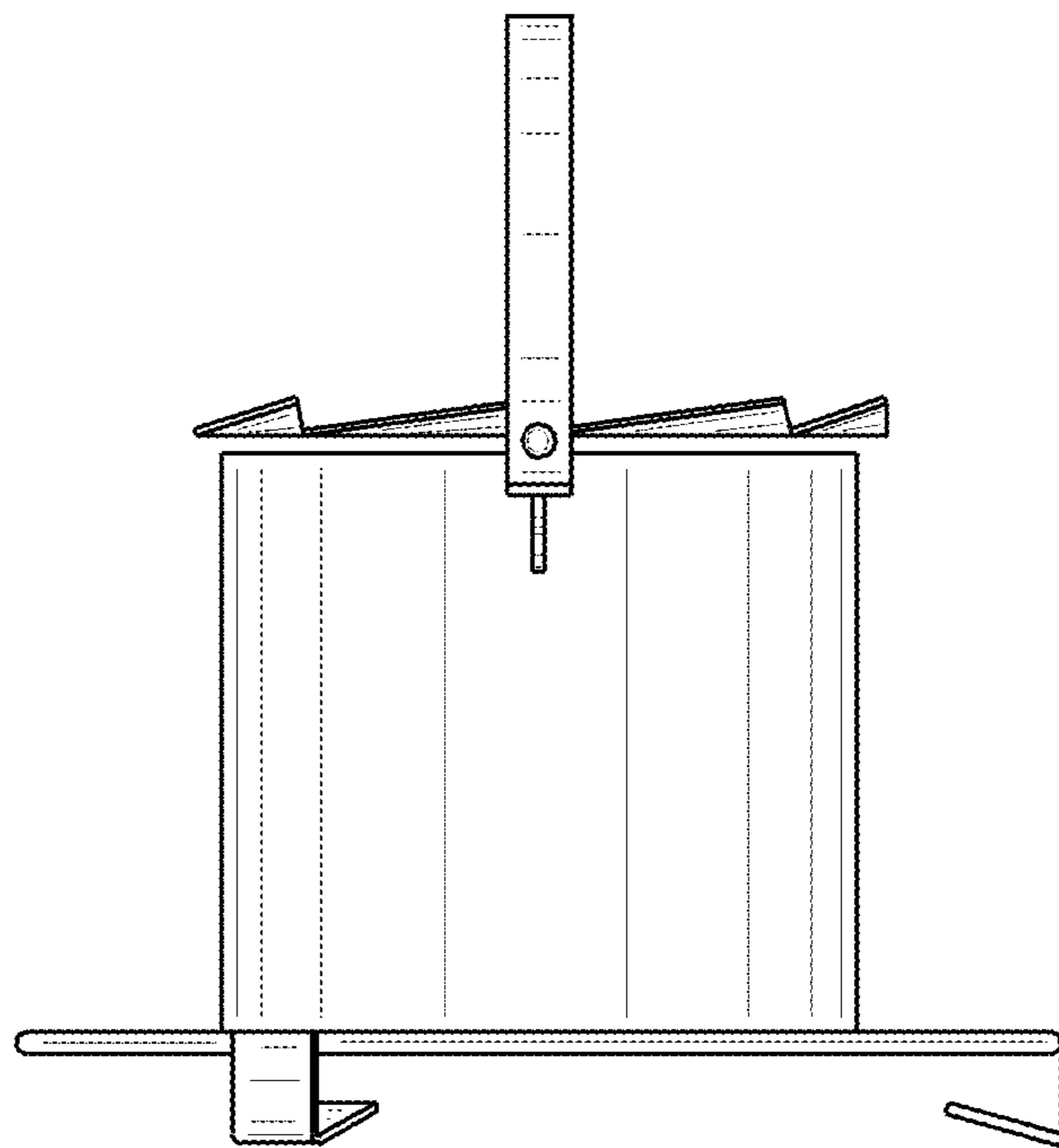


FIG. 4

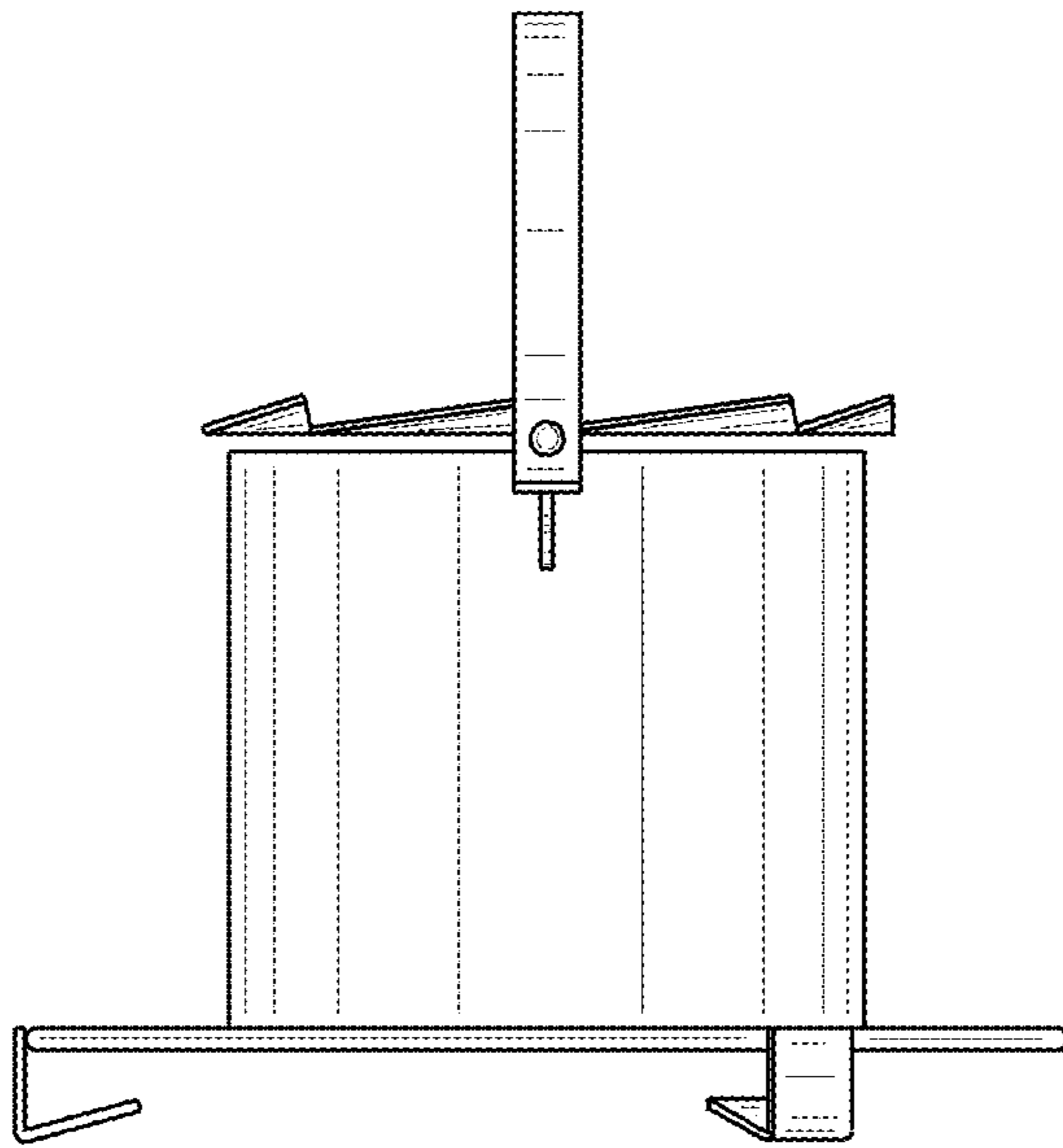


FIG. 5

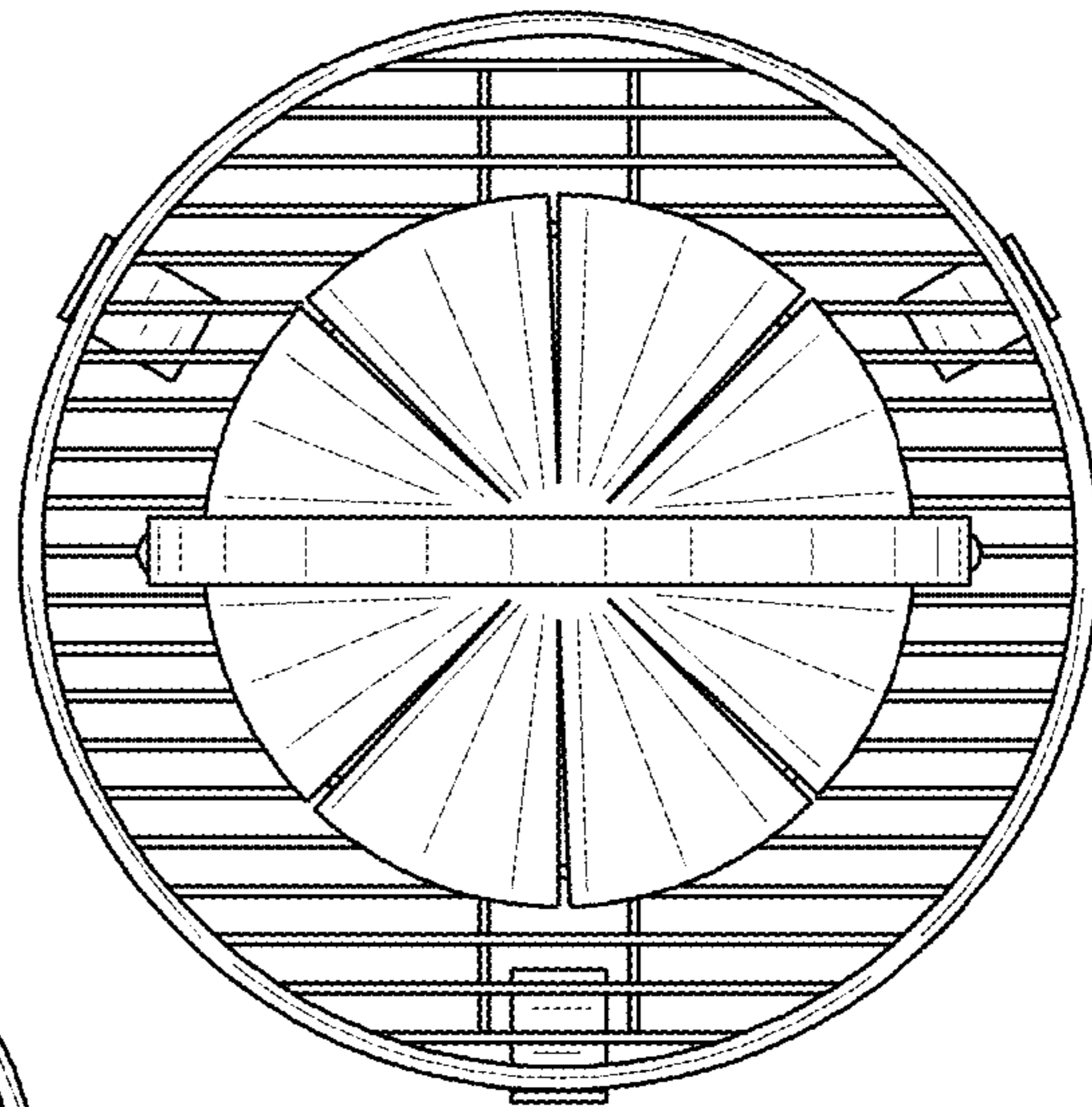


FIG. 6

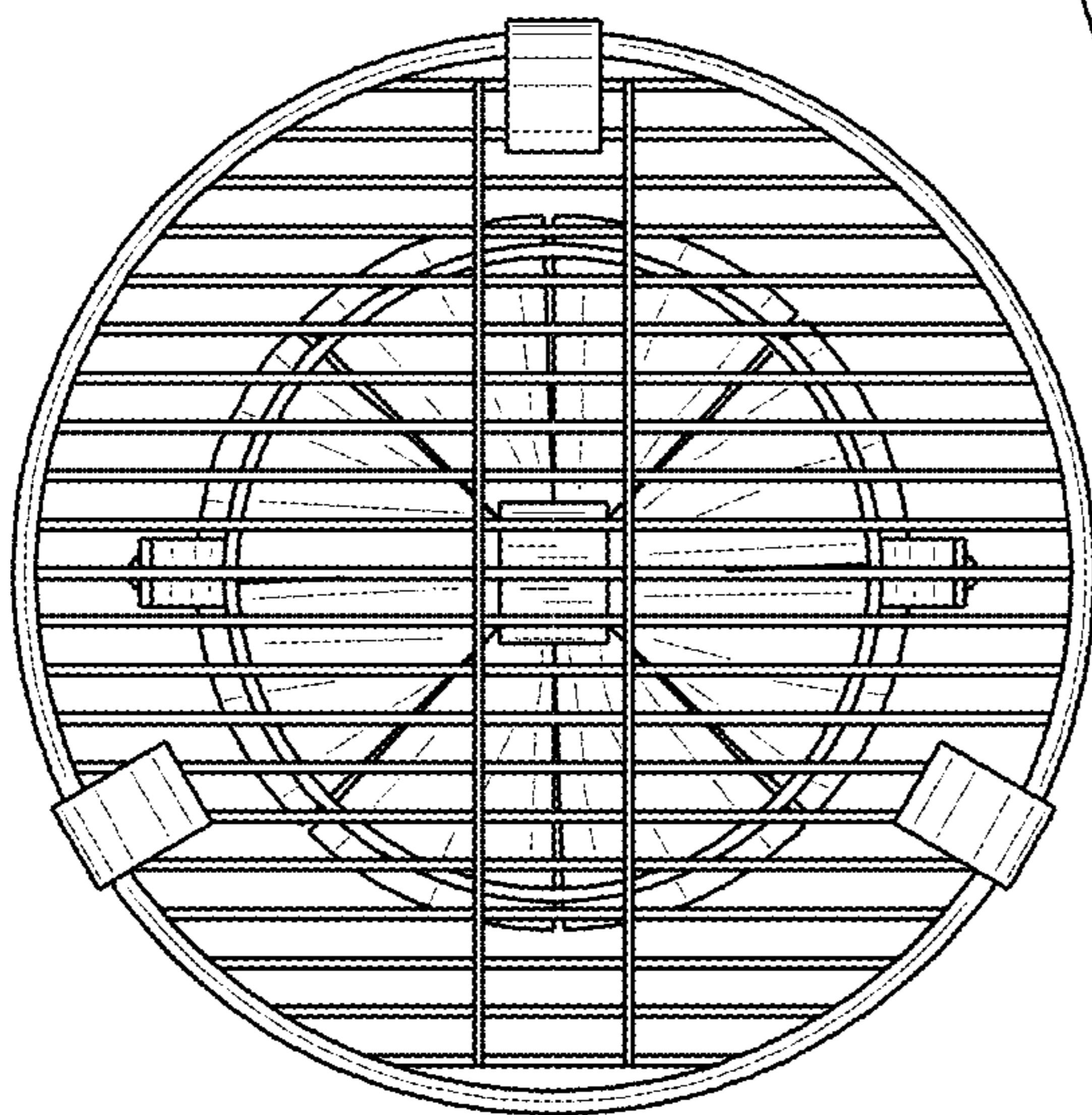


FIG. 7

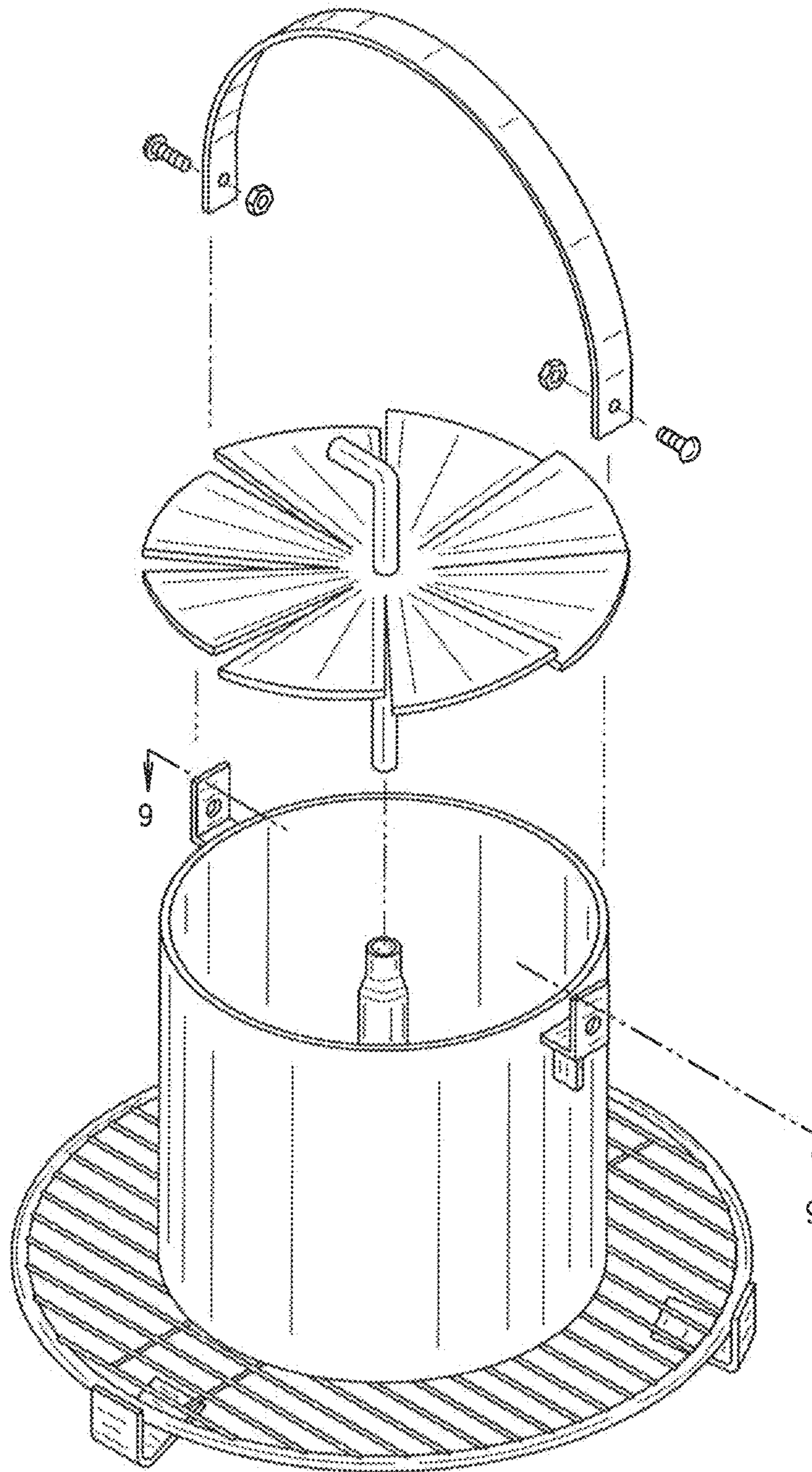


FIG. 8

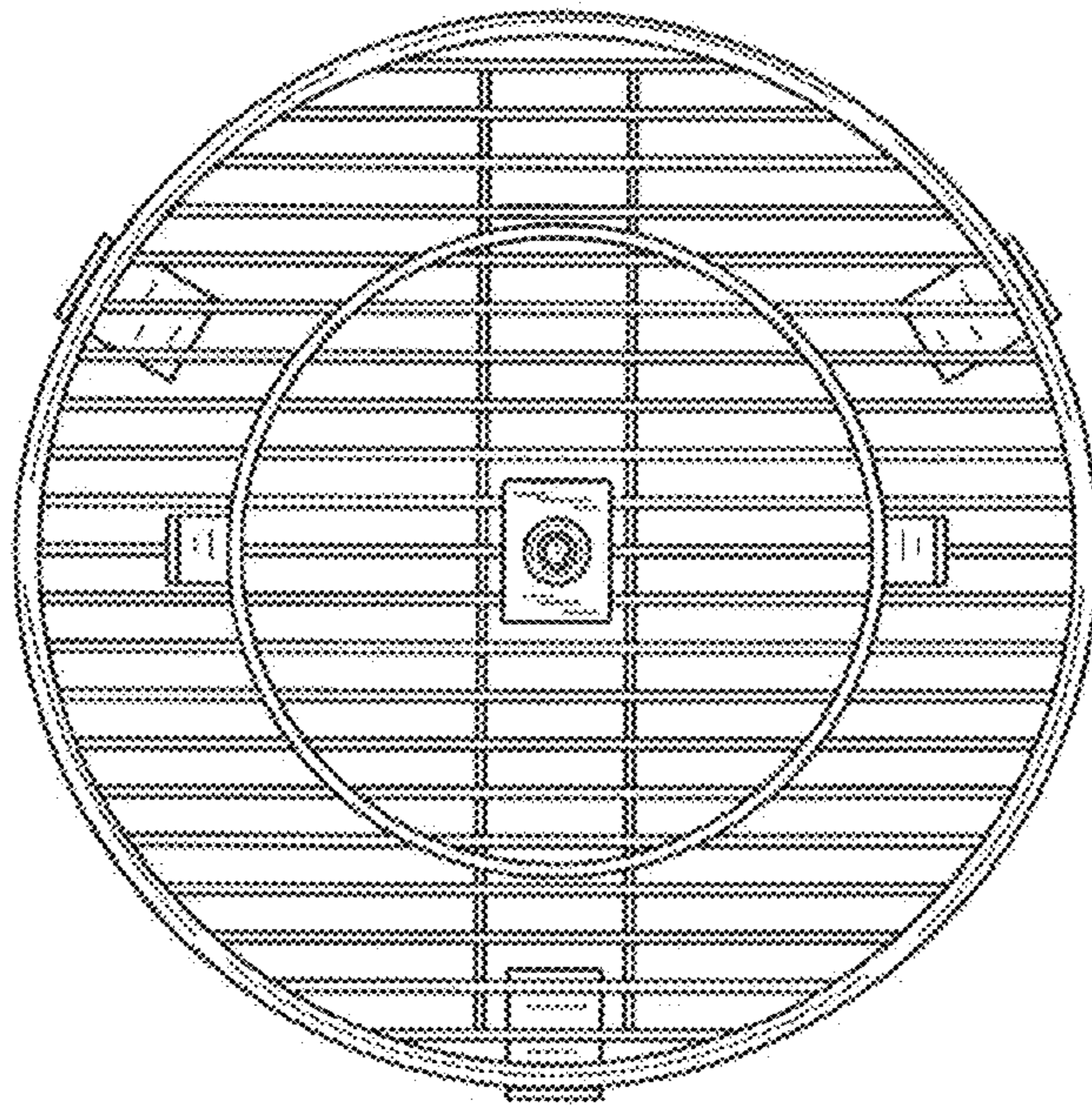


FIG. 9

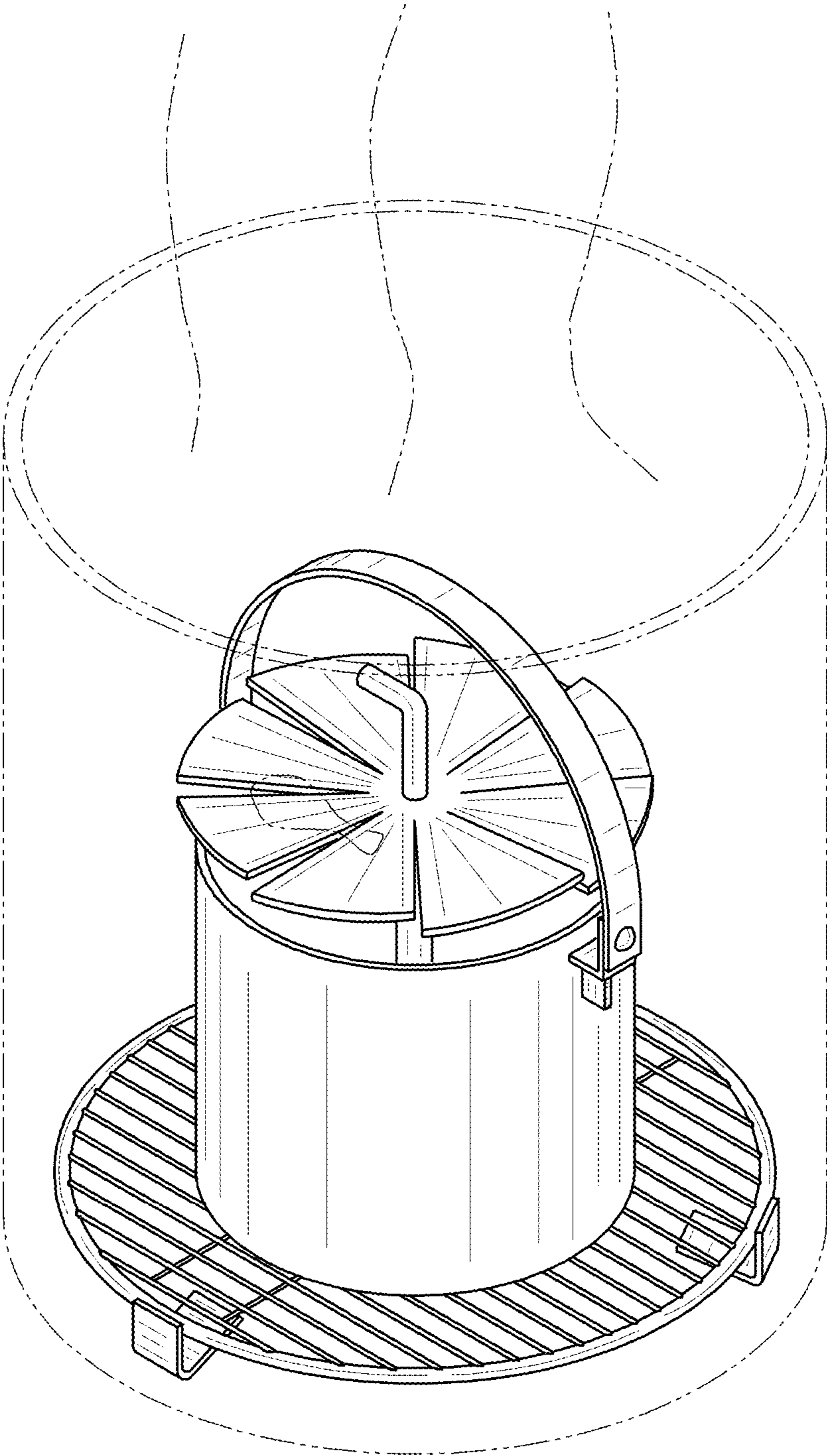


FIG. 10