



US00D777515S

(12) **United States Design Patent** (10) **Patent No.:** **US D777,515 S**
Potter et al. (45) **Date of Patent:** **** Jan. 31, 2017**

(54) **BLENDER CONTAINER**
(71) Applicant: **SharkNinja Operating LLC**, Newton, MA (US)
(72) Inventors: **Daniel Stephen Potter**, Seabrook, NH (US); **Michael Joseph Smith**, Arlington, MA (US); **Devin Joseph Coakley**, Bellingham, MA (US); **Bryan deBlois**, Canton, CT (US)

D553,433 S * 10/2007 Picozza D7/413
D557,978 S * 12/2007 Bodum D7/397
D645,301 S * 9/2011 Tse D7/376
D661,548 S * 6/2012 Brinckerhoff D7/376
D679,543 S * 4/2013 Repac D7/376
D694,582 S * 12/2013 Norland D7/376
D694,583 S * 12/2013 Norland D7/376
D705,606 S * 5/2014 Coakley D7/376
D731,234 S * 6/2015 Weaden D7/376
D745,317 S * 12/2015 Dichraff D7/376
2006/0018189 A1* 1/2006 Chang Chien A47J 43/0727
366/205

(73) Assignee: **SHARKNINJA OPERATING LLC**, Newton, MA (US)

* cited by examiner

(**) Term: **14 Years**

Primary Examiner — Ricky Pham

(74) Attorney, Agent, or Firm — Cantor Colburn LLP

(21) Appl. No.: **29/496,429**

(22) Filed: **Jul. 11, 2014**

(51) **LOC (10) Cl.** **31-00**

(52) **U.S. Cl.**
USPC **D7/413; D7/376; D7/378; D7/386; D7/412**

(58) **Field of Classification Search**
USPC D7/372, 376–386, 399, 412–413, 602, D7/629, 665–666, 669, 679, 693–694
CPC A21C 1/02; A21C 1/04; A23N 1/00; A23N 1/02; A47J 43/04; A47J 43/25; A47J 43/27; A47J 43/042; A47J 43/044; A47J 43/046; A47J 43/075; A47J 43/0722; A47J 43/0727; B01F 3/00; B01F 3/0807; B01F 3/0853; B01F 13/0059; B01F 13/0064; B02C 1/08; B02C 2/04; B02C 4/42; B02C 4/142; B02C 4/143; B02C 4/423; B02C 13/1835; B02C 5/10; B02C 5/12; B02C 5/14; B02C 5/16
See application file for complete search history.

(57) **CLAIM**

The ornamental design for a blender container, as shown and described.

DESCRIPTION

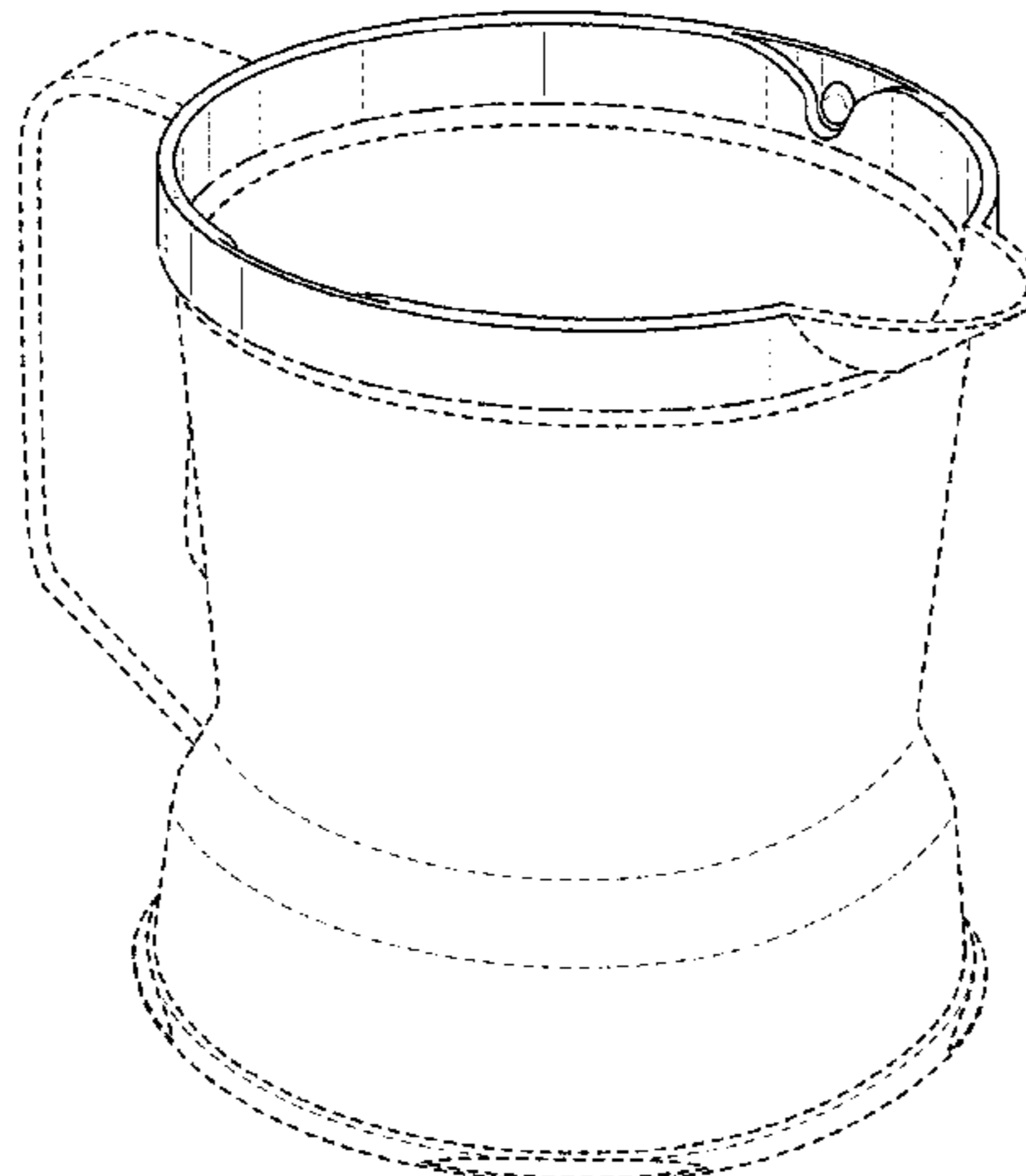
FIG. 1 is a top, front, left side perspective view of a blender container showing our new design; FIG. 2 is a front elevational view thereof; FIG. 3 is a rear elevational view thereof; FIG. 4 is a left side elevational view thereof; FIG. 5 is a right side elevational view thereof; FIG. 6 is a top plan view thereof; FIG. 7 is a bottom plan view thereof; and, FIG. 8 is a top, front, right side perspective view thereof. The broken lines of FIGS. 1-8 represent unclaimed portions of the blender container and form no part of the claimed design. The dash-dot-dash broken lines of FIGS. 1-5 and 8 represent unclaimed portions of the blender container and form no part of the claimed design, and define boundaries of the claimed design.

(56) **References Cited**

U.S. PATENT DOCUMENTS

D484,357 S * 12/2003 Seum D7/378
D537,674 S * 3/2007 Davenport D7/378

1 Claim, 8 Drawing Sheets



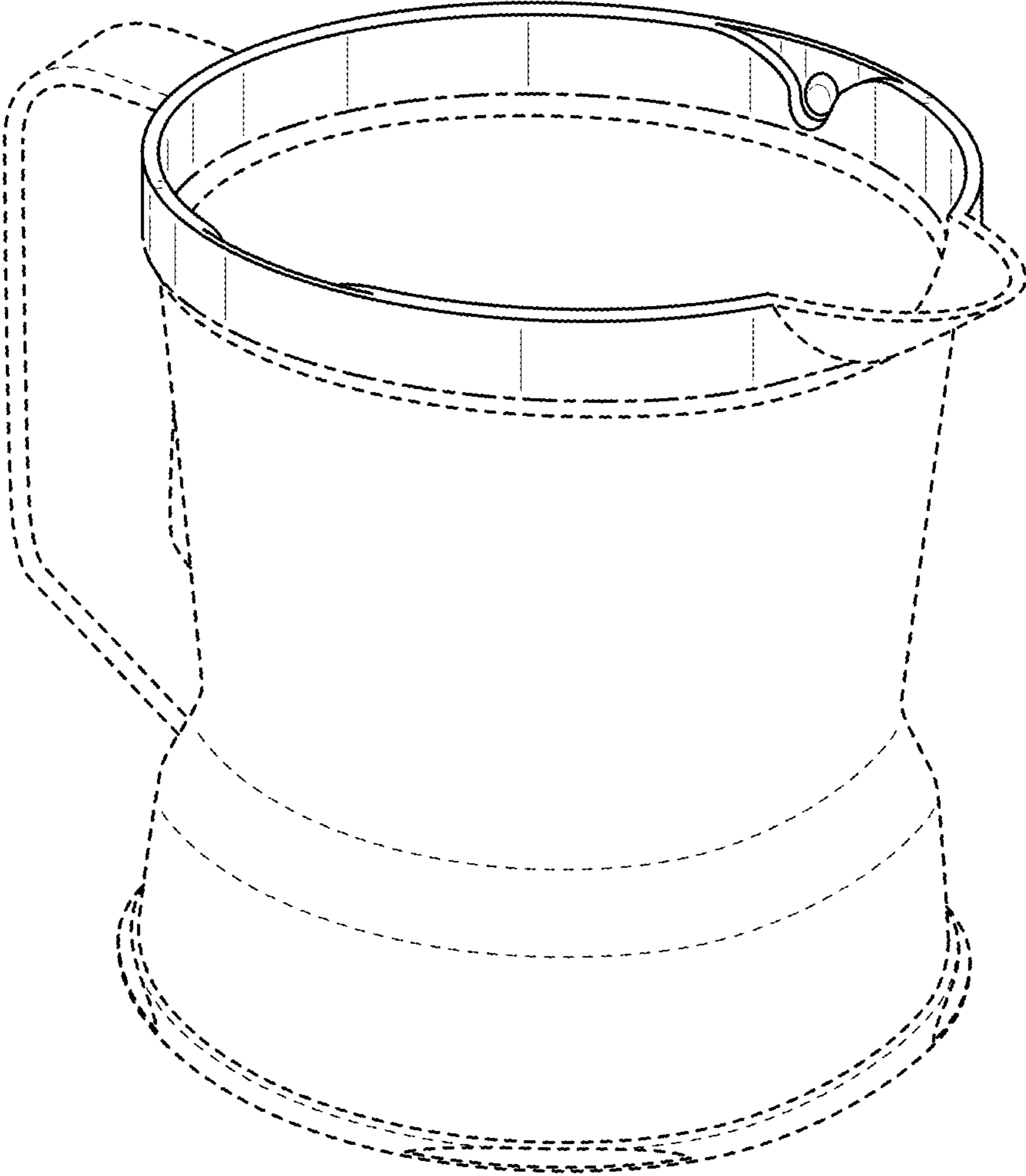


FIG. 1

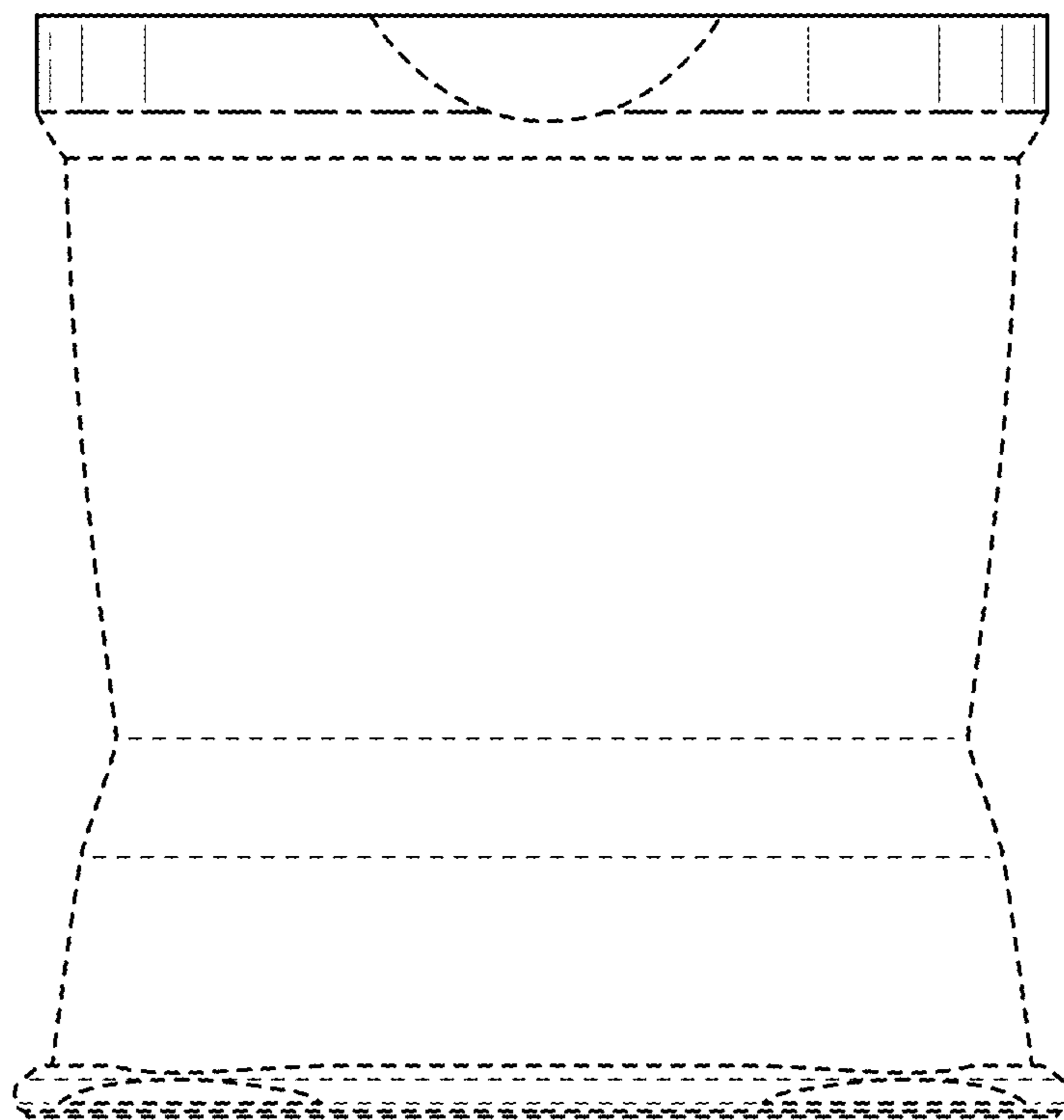


FIG. 2

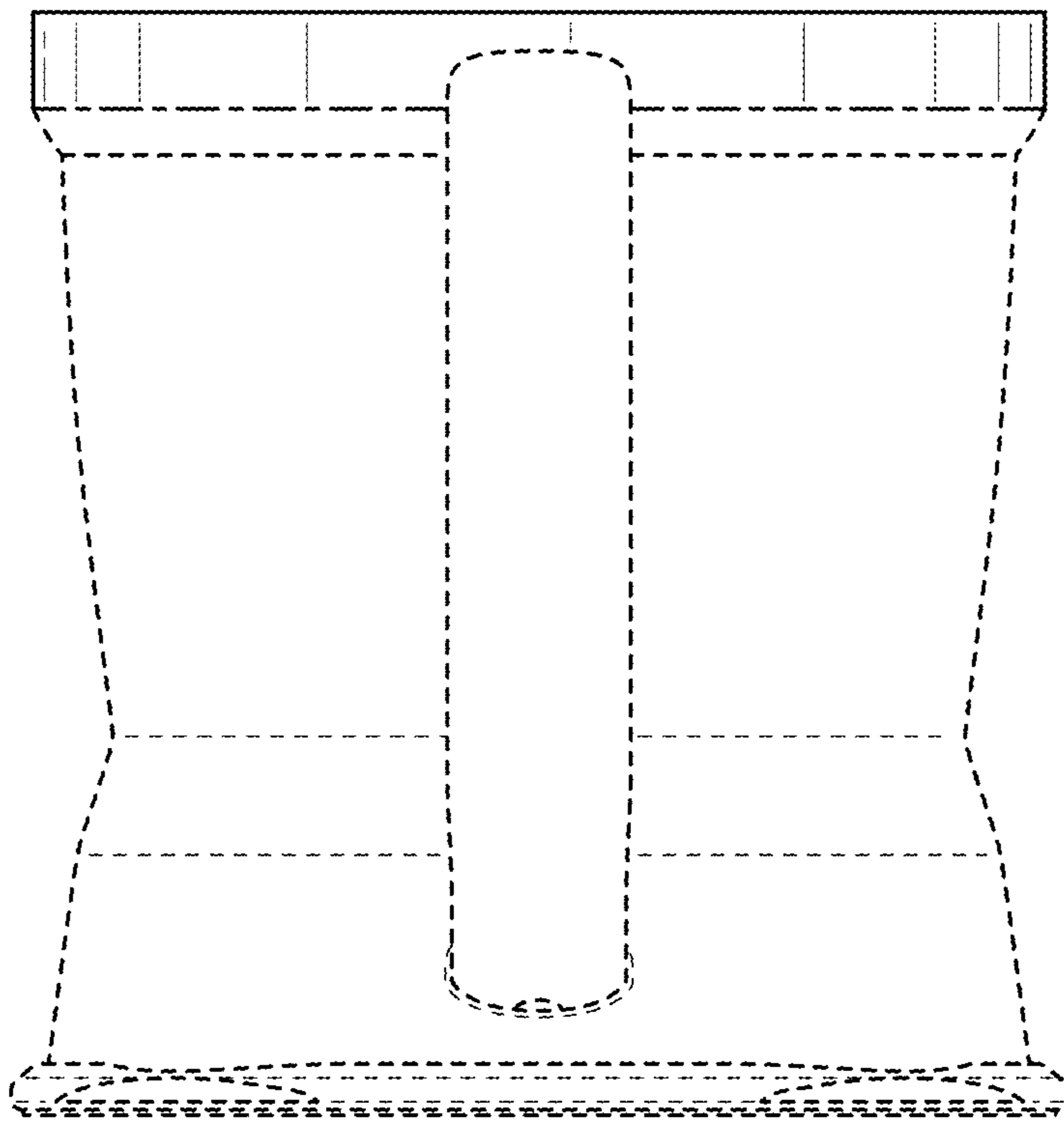


FIG. 3

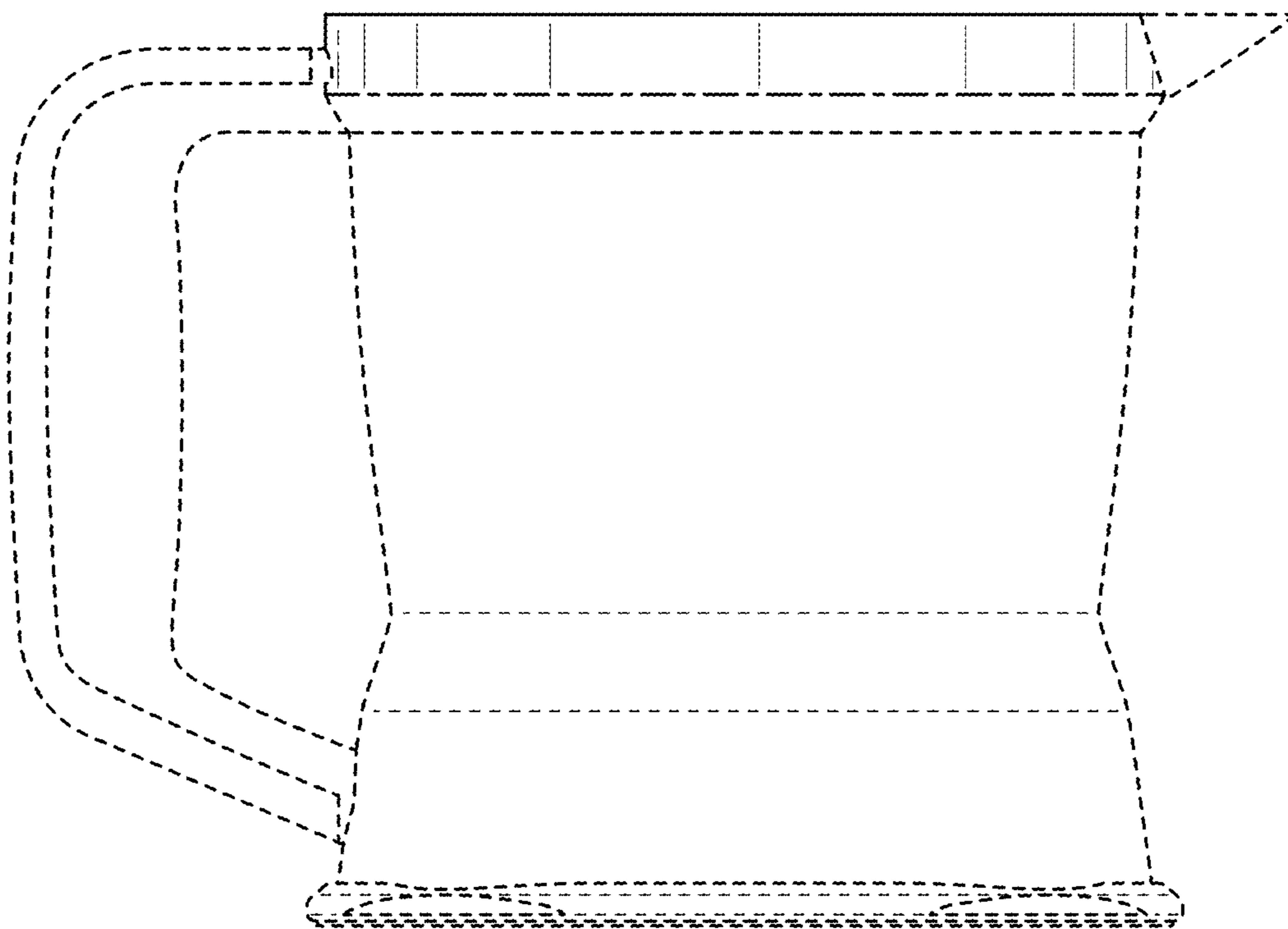


FIG. 4

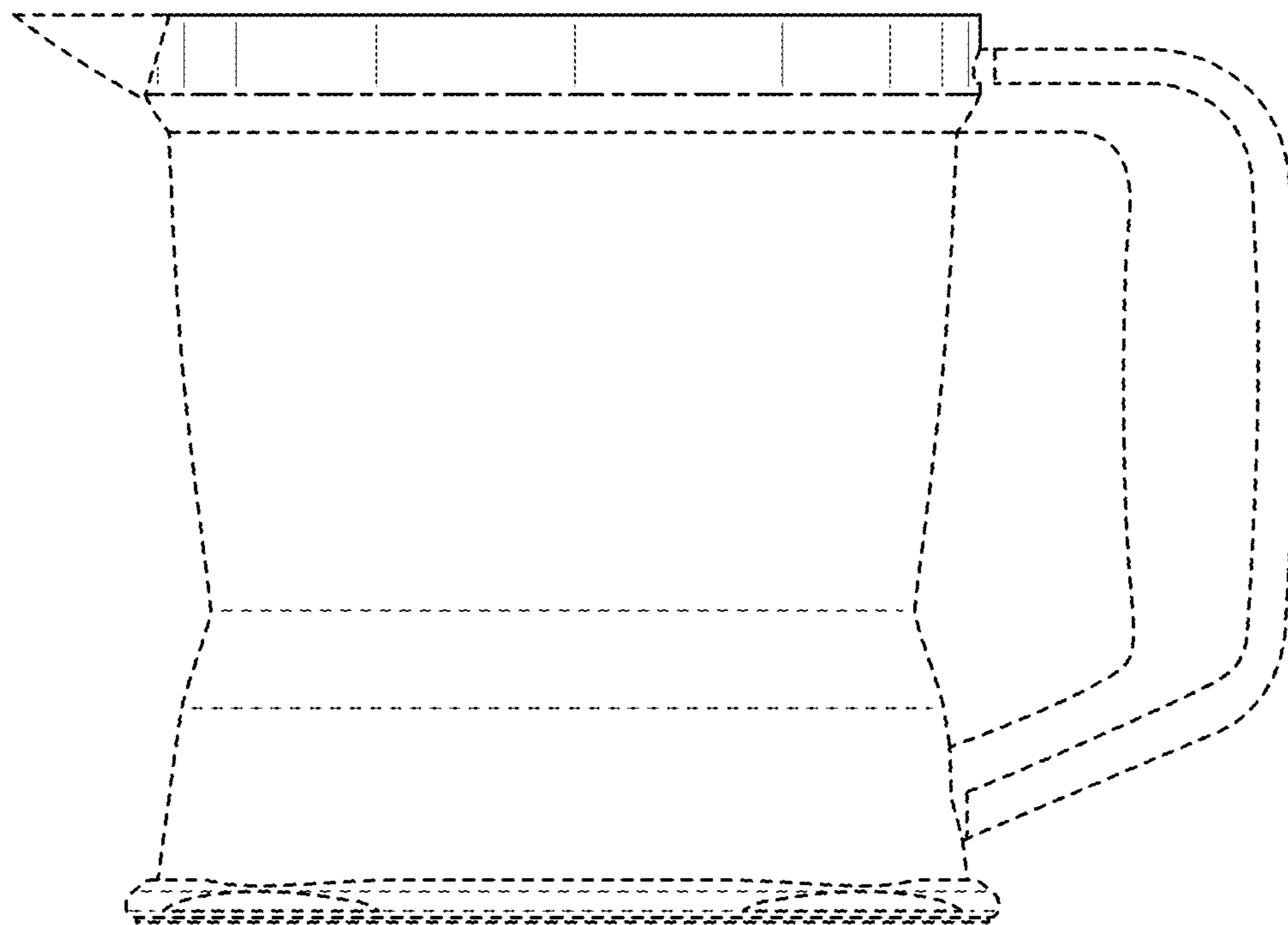


FIG. 5

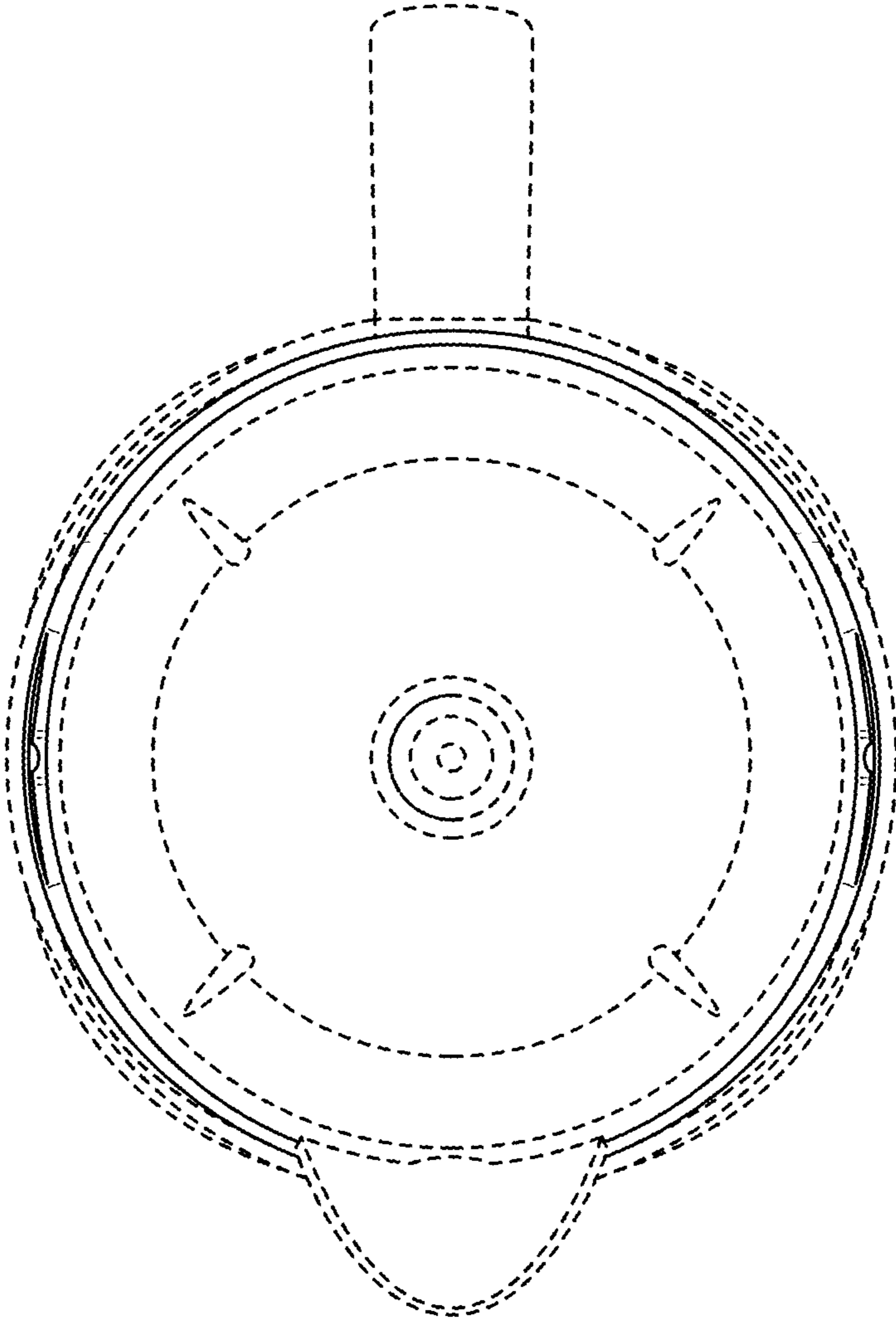


FIG. 6

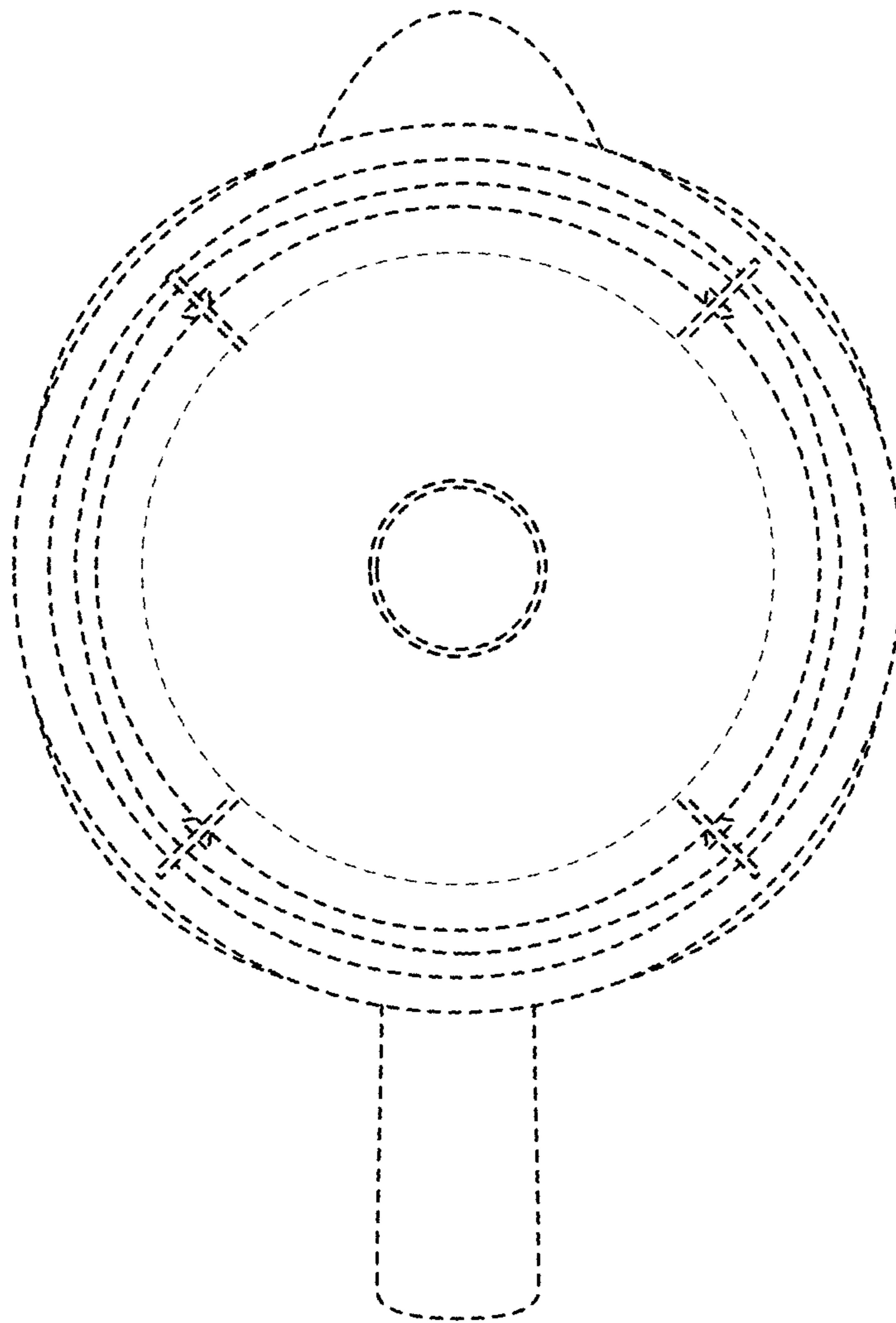


FIG. 7

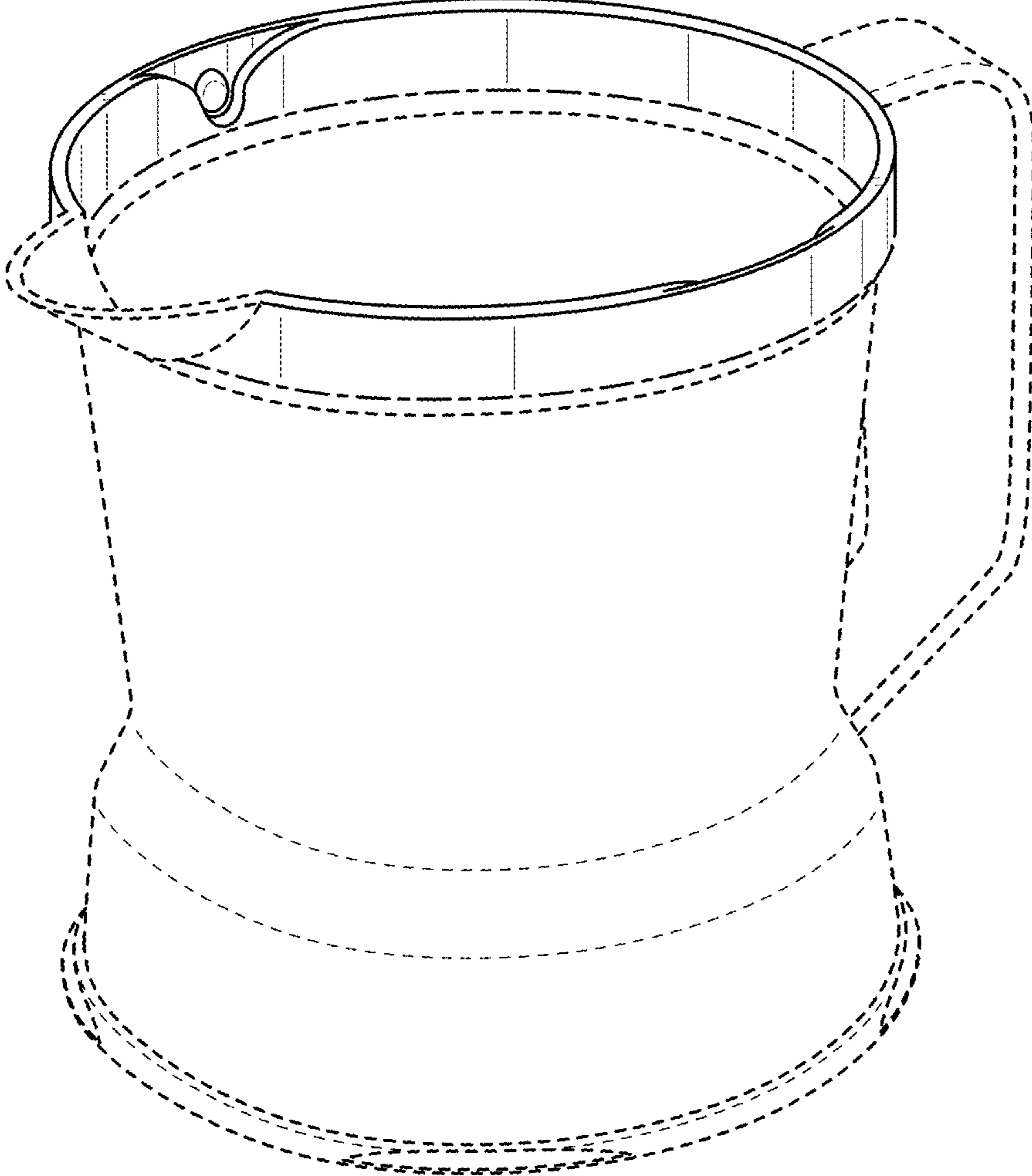


FIG. 8