



US00D777509S

(12) **United States Design Patent** (10) **Patent No.:** **US D777,509 S**
Lee (45) **Date of Patent:** **** Jan. 31, 2017**

- (54) **UTENSIL HANDLE**
- (71) Applicant: **Robinson Home Products Inc.,**
Williamsville, NY (US)
- (72) Inventor: **Stuart Harvey Lee,** Forest Hills, NY
(US)
- (73) Assignee: **Robinson Home Products Inc.,**
Williamsville, NY (US)
- (**) Term: **14 Years**
- (21) Appl. No.: **29/524,052**
- (22) Filed: **Apr. 16, 2015**
- (51) **LOC (10) Cl.** **07-02**
- (52) **U.S. Cl.**
USPC **D7/395**
- (58) **Field of Classification Search**
USPC D7/354–358, 359–361, 391, 393, 401.2,
D7/402, 405, 406, 649, 682; D8/107, 300,
D8/307; 16/110 R, 114 R, 118, 121, 309,
16/311, 312, 315, 320, 430, 431, 441;
74/548, 553, 558.5; 200/18, 61.8,
200/336–338, 564–570; 220/573.1–573.5,
220/752, 753, 755, 759, 912
CPC A47J 45/06; A47J 45/061; A47J 45/62;
A47J 45/08; A47J 45/085; B65D 25/2802;
B65D 25/2882; B65D 25/2885; B65D
25/2888; B65D 25/2894; Y10S 220/912
See application file for complete search history.

(56) **References Cited**

U.S. PATENT DOCUMENTS

- D258,486 S * 3/1981 Wallace D7/395
- D258,862 S * 4/1981 Goransson D7/395
- D271,841 S * 12/1983 Hansen D7/395
- D282,710 S * 2/1986 Vosbikian 16/DIG. 12
- D284,542 S * 7/1986 Kelly D7/395
- D287,216 S * 12/1986 Usbeck D7/395

- D294,486 S * 3/1988 Opitz D13/156
- D295,013 S * 4/1988 Vosbikian D8/10
- D309,696 S * 8/1990 Callinan D7/395
- D309,850 S * 8/1990 Callinan D7/649
- D332,385 S * 1/1993 Adams D8/107
- D421,874 S * 3/2000 Freeman D7/401.2
- D424,869 S * 5/2000 Chau D7/395
- D433,873 S * 11/2000 Yu D7/393
- D451,343 S * 12/2001 Wentland D7/395
- D454,752 S * 3/2002 deGuzman D7/401.2
- D459,943 S * 7/2002 Richied D7/395
- D459,955 S * 7/2002 King D7/688
- D460,318 S * 7/2002 Richied D7/395
- D476,525 S * 7/2003 Zemel D7/395
- D494,039 S * 8/2004 Tsai D8/107
- D496,217 S * 9/2004 Sun D7/395
- D499,932 S * 12/2004 Deglon D7/395
- D529,720 S * 10/2006 Chang D4/138
- D530,567 S * 10/2006 Timm D7/395

(Continued)

Primary Examiner — Cynthia M Chin

(74) *Attorney, Agent, or Firm* — Florek & Endres PLLC

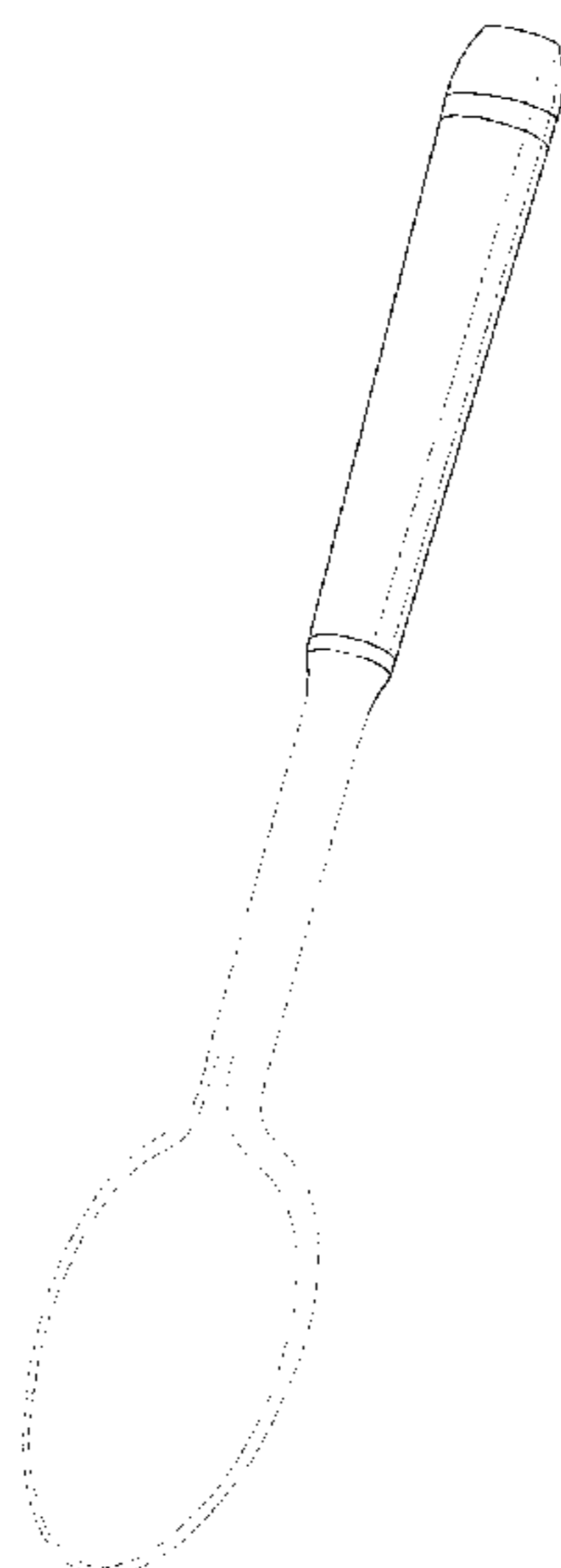
(57) **CLAIM**

I claim the ornamental design for a utensil handle, as shown and described.

DESCRIPTION

FIG. 1 is a perspective view of the utensil handle of the present invention.
 FIG. 2 is a left side elevation of the utensil handle of FIG. 1.
 FIG. 3 is a right side elevation of the utensil handle of FIG. 1.
 FIG. 4 is a rear elevation of the utensil handle of FIG. 1.
 FIG. 5 is a front elevation of the utensil handle of FIG. 1.
 FIG. 6 is a bottom plan view of the utensil handle of FIG. 1; and,
 FIG. 7 is a top plan view of the utensil handle of FIG. 1.
 The broken lines in the drawings represent unclaimed features.

1 Claim, 6 Drawing Sheets



(56)

References Cited

U.S. PATENT DOCUMENTS

D530,977 S * 10/2006 Timm D7/395
D533,401 S * 12/2006 Kallenberger D7/395
D565,348 S * 4/2008 Tetreault D7/395
D634,376 S * 3/2011 Saffaie D21/684
D663,159 S * 7/2012 Zemel D7/395
D671,815 S * 12/2012 Bauer D8/107
D678,253 S * 3/2013 Lee D14/225
D699,072 S * 2/2014 Radtke D7/401.2
D730,116 S * 5/2015 Radtke D7/401.2
D745,357 S * 12/2015 Su D8/80

* cited by examiner

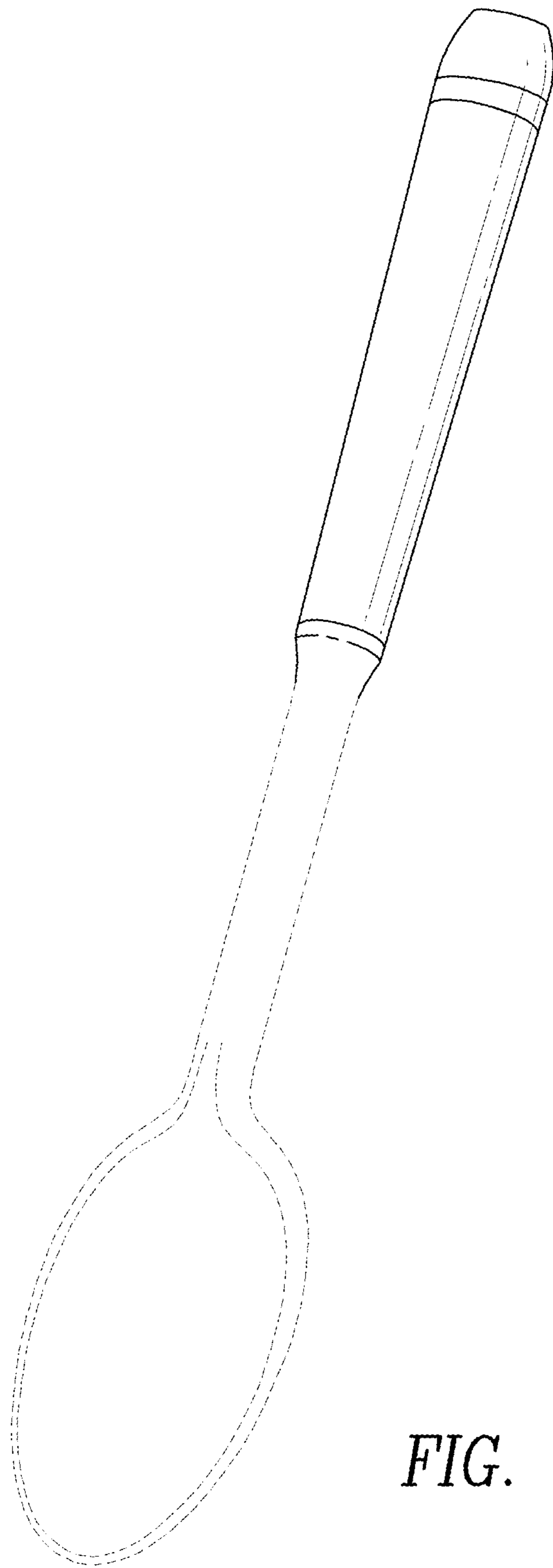


FIG. 1

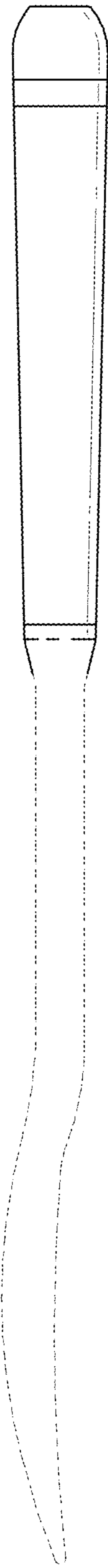


FIG. 2

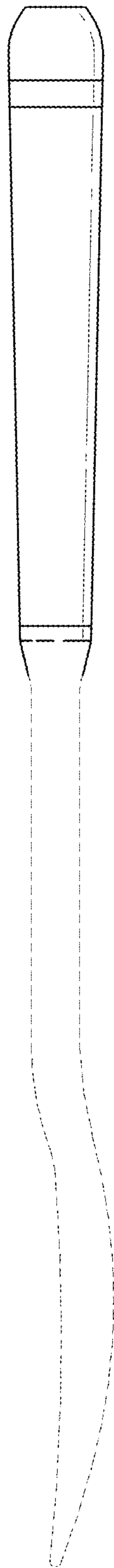


FIG. 3

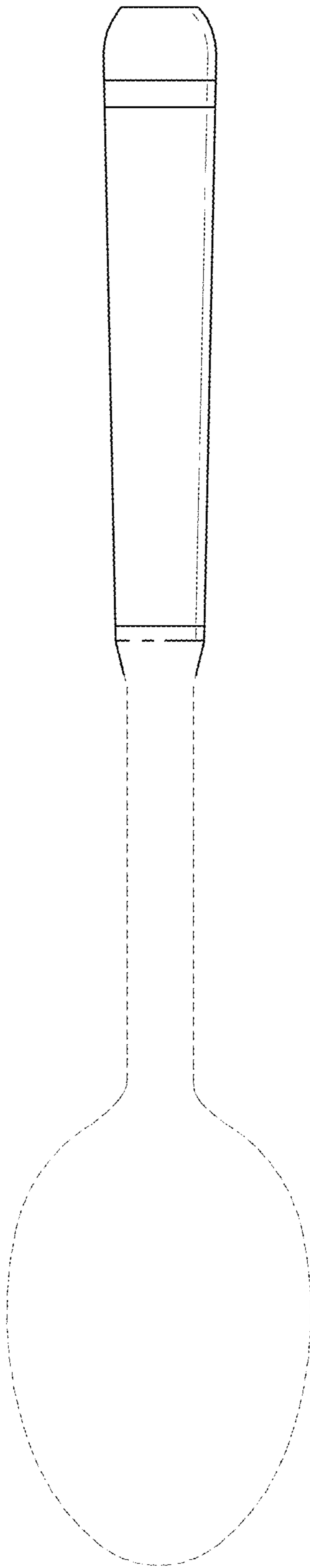


FIG. 4

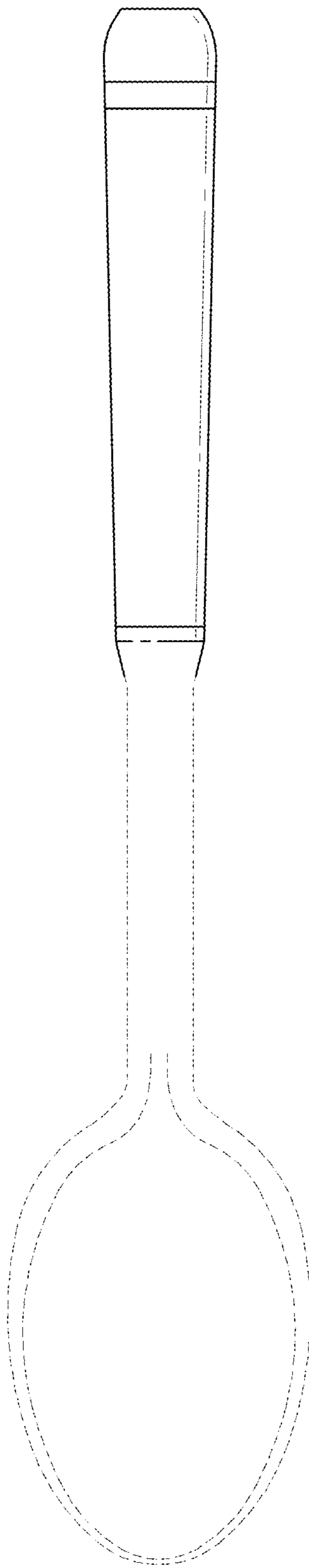


FIG. 5

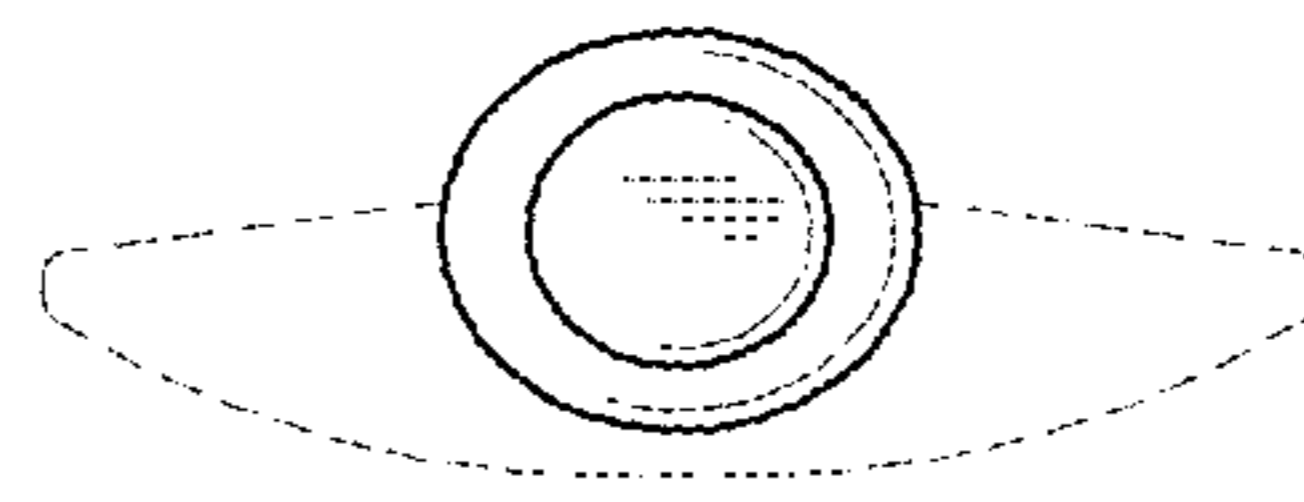


FIG. 6

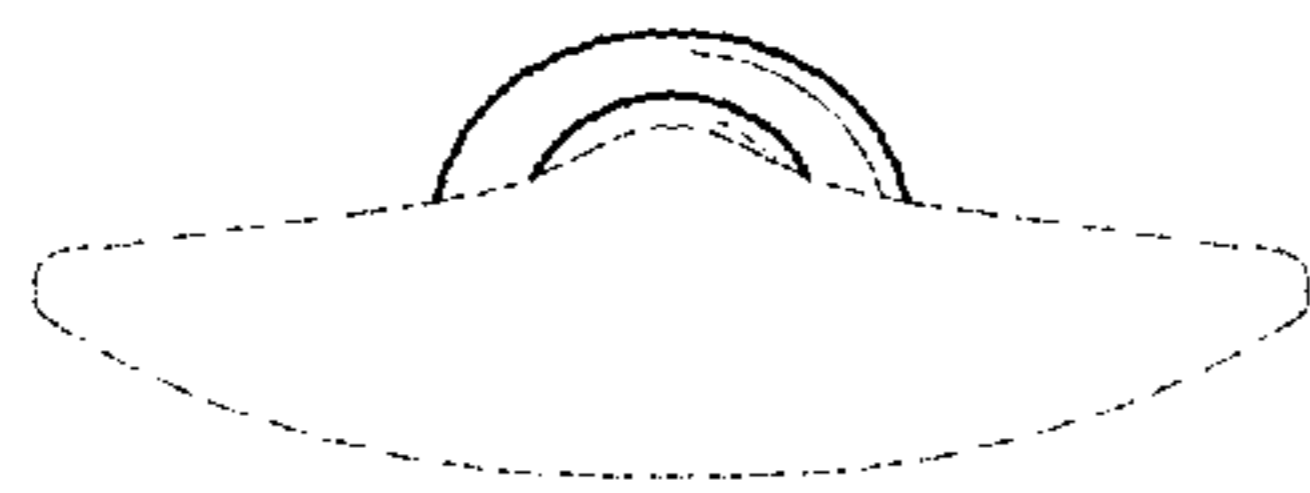


FIG. 7