



US00D777508S

(12) **United States Design Patent** (10) **Patent No.:** **US D777,508 S**
Goodwin et al. (45) **Date of Patent:** **** Jan. 31, 2017**

(54) **SPORTS BOTTLE CAP**
(71) Applicant: **Steel Technology, LLC**, Bend, OR (US)
(72) Inventors: **Brian George Goodwin**, Bend, OR (US); **Timothy Dryden Gorbold**, Bend, OR (US); **Benjamin Robert Hein**, Bend, OR (US)

D634,161 S * 3/2011 Roth D7/510
D652,256 S 1/2012 Eyal
D654,793 S 2/2012 Rosbach
D660,487 S 5/2012 Wu
D669,354 S 10/2012 Davis et al.
D669,732 S 10/2012 Hopkins et al.
D679,541 S 4/2013 Samartgis
D680,805 S 4/2013 Rosbach
D682,034 S * 5/2013 El-Saden D7/510
(Continued)

(73) Assignee: **Helen of Troy Limited**, St. Michael (BB)

OTHER PUBLICATIONS

(**) Term: **15 Years**
(21) Appl. No.: **29/554,929**
(22) Filed: **Feb. 17, 2016**

“Klean Kanteen Wide Mouth Water Bottle wiith Loop Cap”. Found online Oct. 12, 2016 at amazon.com. Page dated Dec. 5, 2009. Retrieved from https://www.amazon.com/Klean-Kanteen-Mouth-Water-Bottle/dp/B002VIZ6IU/ref=cm_cr_arp_d_product_top?ie=UTF8.*

(Continued)

Related U.S. Application Data

(63) Continuation of application No. 29/513,509, filed on Dec. 31, 2014, now Pat. No. Des. 752,916.

Primary Examiner — Robert M Spear
Assistant Examiner — Kendra L Hamilton
(74) *Attorney, Agent, or Firm* — Kolisch Hartwell, P.C.

(51) **LOC (10) Cl.** **07-01**
(52) **U.S. Cl.**

(57) **CLAIM**

USPC **D7/392.1**; D7/396.2

The ornamental design for a sports bottle cap, as shown and described.

(58) **Field of Classification Search**
USPC D7/319, 391, 392, 392.1, 393, 396.2, D7/397, 398, 509, 510, 511; D9/435, 436, D9/440, 447, 450, 503, 504, 516, 761; 215/41, 224, 329, 386, 387, 388, 392, 215/396; 220/254.8, 700, 703, 705, 710, 220/711, 715; 222/465.1, 475.1
CPC A47G 19/2272
See application file for complete search history.

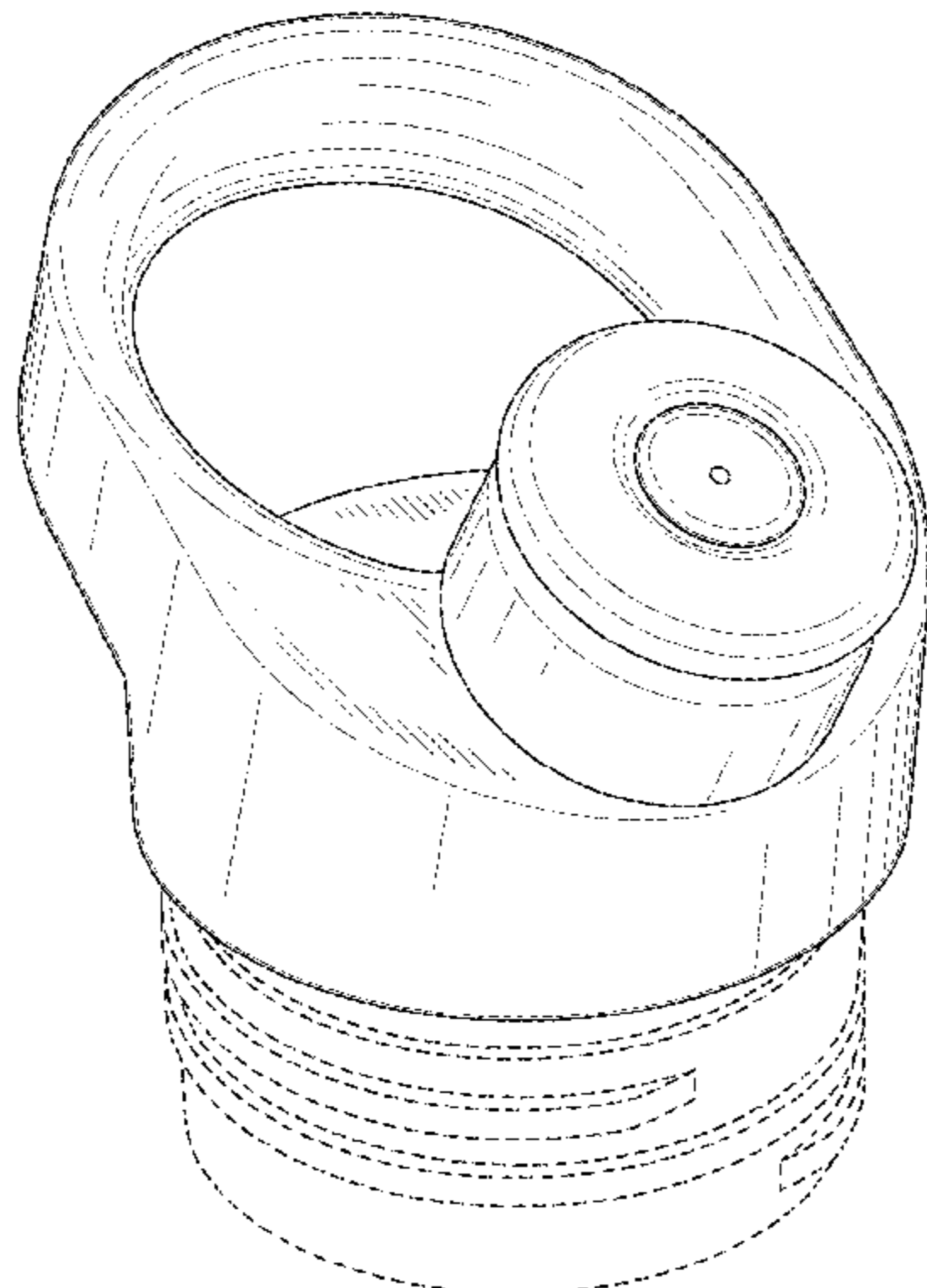
DESCRIPTION

FIG. 1 is an upper, front, and right side perspective view of a sports bottle cap showing our new design; FIG. 2 is a lower, rear, and left side perspective view thereof; FIG. 3 is a right side view thereof; FIG. 4 is a front view thereof; FIG. 5 is a left side view thereof; FIG. 6 is a rear view thereof; FIG. 7 is a top view thereof; and, FIG. 8 is a bottom view thereof. Elements of the sports bottle cap depicted using broken lines are intended to illustrate the environment of the claimed design and form no part of the claimed design.

(56) **References Cited**
U.S. PATENT DOCUMENTS

D398,478 S * 9/1998 Spencer D7/510
D497,283 S 10/2004 Groombridge
D614,440 S 4/2010 Cresswell et al.
D632,524 S 2/2011 Rosbach et al.
D633,338 S 3/2011 Rosbach et al.

1 Claim, 8 Drawing Sheets



(56)

References Cited

U.S. PATENT DOCUMENTS

D683,581	S	6/2013	Archer	
D688,912	S	9/2013	Rosbach	
D693,170	S	11/2013	Rosbach	
D702,079	S *	4/2014	Hung	D7/392.1
D704,986	S	5/2014	Manies	
D715,146	S	10/2014	Holmes	
D719,780	S	12/2014	Sullivan	
D724,895	S	3/2015	Kawase et al.	
D729,569	S *	5/2015	Herbst	D7/392
D736,562	S	8/2015	Green et al.	
D736,622	S	8/2015	Nishijima et al.	
D742,174	S *	11/2015	Roth	D7/510
D752,916	S *	4/2016	Goodwin	D7/392.1
D760,080	S *	6/2016	Gorbald	D9/443
D763,688	S *	8/2016	Breit	D9/443
D767,336	S *	9/2016	Waggoner	D7/510
D768,491	S *	10/2016	Sorensen	D7/392.1
2005/0178774	A1 *	8/2005	Howell	A47G 19/2227 220/703
2008/0078200	A1	4/2008	Roth et al.	
2014/0144870	A1 *	5/2014	Brosius	A45F 3/18 215/387

OTHER PUBLICATIONS

“Autospout Water Bottle—Lid”. Found online Oct. 12, 2016 at [contigoflorida.com](https://web.archive.org/web/20130801043704/http://www.contigoflorida.com/autospout-water-bottle-lid.html). Page dated Aug. 1, 2013. Retrieved from <https://web.archive.org/web/20130801043704/http://www.contigoflorida.com/autospout-water-bottle-lid.html>.*

“Klean Kid Kanteen Sippy Bottle Cap”. Found online Oct. 12, 2016 at [amazon.com](https://www.amazon.com/Klean-Kanteen-Sippy-Bottle-Green/dp/B009F7Y0LY/ref=cm_cr_arp_d_product_top?ie=UTF8). Page dated Jan. 4, 2013. Retrieved from https://www.amazon.com/Klean-Kanteen-Sippy-Bottle-Green/dp/B009F7Y0LY/ref=cm_cr_arp_d_product_top?ie=UTF8.*

“Bottle Cap Carabiners”. Found online Oct. 12, 2016 at [gizmodo.com](http://gizmodo.com/5933647/bottle-cap-carabiners-hang-hydration-anywhere). Page dated Aug. 10, 2012. Retrieved from <http://gizmodo.com/5933647/bottle-cap-carabiners-hang-hydration-anywhere>.*

“CamelBak eddy Insulated .6L Black”. Found online Aug. 26, 2015 at [amazon.com](http://www.amazon.com/CamelBak-eddy-Insulated-6L-Black/dp/B006ZT9E1Q/ref=cm_cr_pr_product_top?ie=UTF8). Page dated Apr. 11, 2012. Retrieved from http://www.amazon.com/CamelBak-eddy-Insulated-6L-Black/dp/B006ZT9E1Q/ref=cm_cr_pr_product_top?ie=UTF8.

“Groova Stainless .6L Water Bottle”. Found online Aug. 26, 2015 at shop.camelbak.com. Page dated Nov. 21, 2011. Retrieved from <http://shop.camelbak.com/groove-stainless-6l/d/1206>.

“Klean Kanteen: The Eco-Friendly Personal Hydration Bottle”. Found online at [earthtimes.org](http://www.earthtimes.org). Page dated Jun. 5, 2011. Retrieved from <http://www.earthtimes.org/green-blogs/green-living/klean-kanteen-the-eco-friendly-personal-hydration-bottle-05-Jun-11/>.

“New Wave Enviro Stainless Steel Water Bottle”. Found online Aug. 26, 2015 at [amazon.com](http://www.amazon.com/New-Wave-Enviro-Liter-Blue/dp/B001LNUE4W/ref=cm_cr_pr_product_top?ie=UTF8). Page dated Jan. 9, 2006. Retrieved from http://www.amazon.com/New-Wave-Enviro-Liter-Blue/dp/B001LNUE4W/ref=cm_cr_pr_product_top?ie=UTF8.

Sep. 10, 2015, Office action from the U.S. Patent and Trademark Office in U.S. Appl. No. 29/513,509, which is another application of applicant Steel Technology, LLC.

Jan. 13, 2016, Office action from the Taiwanese Patent Office in Taiwan Patent Application No. 104303506, which is a foreign application that shares the same priority as this U.S. application.

* cited by examiner

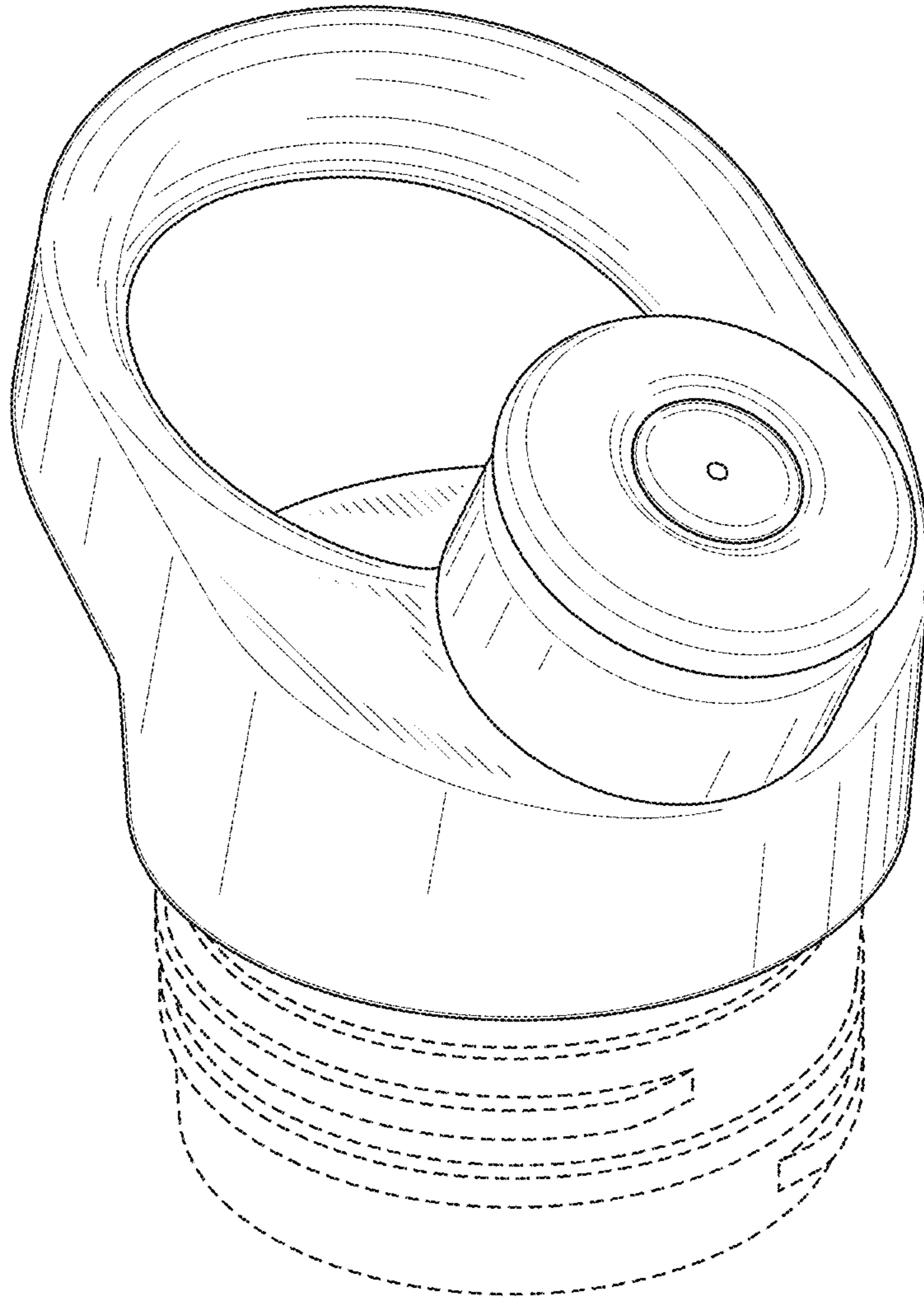


FIG. 1

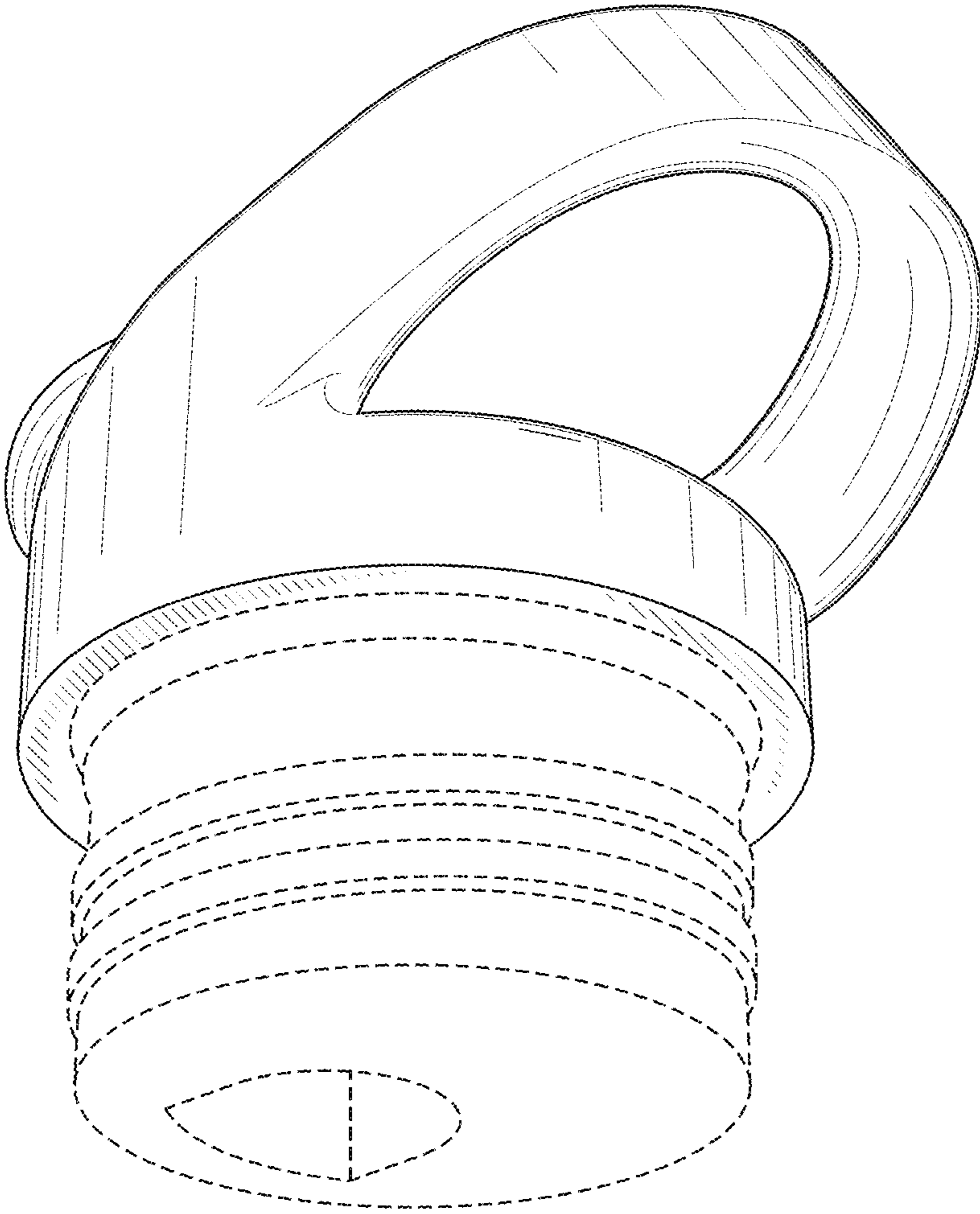


FIG. 2

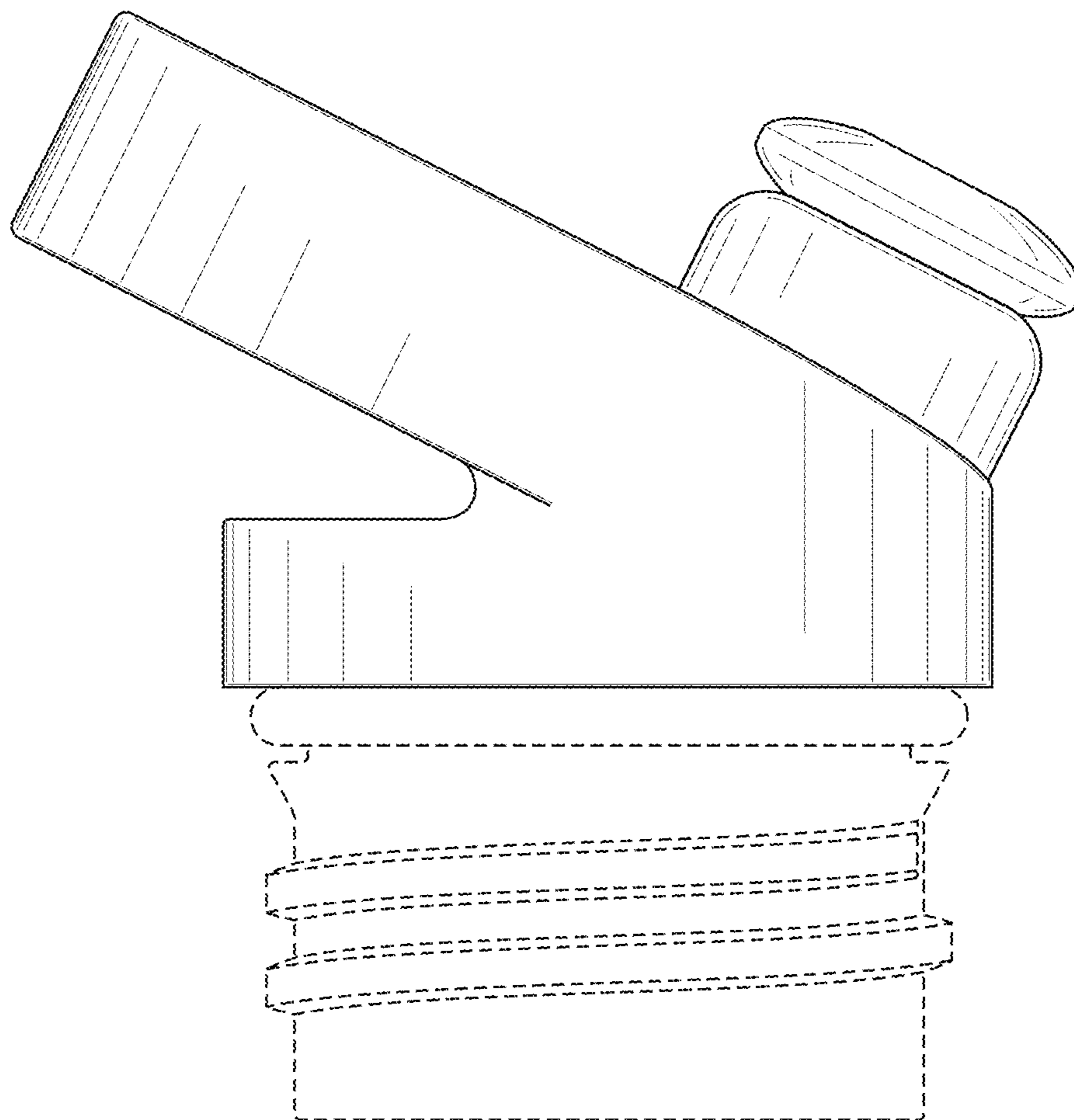


FIG. 3

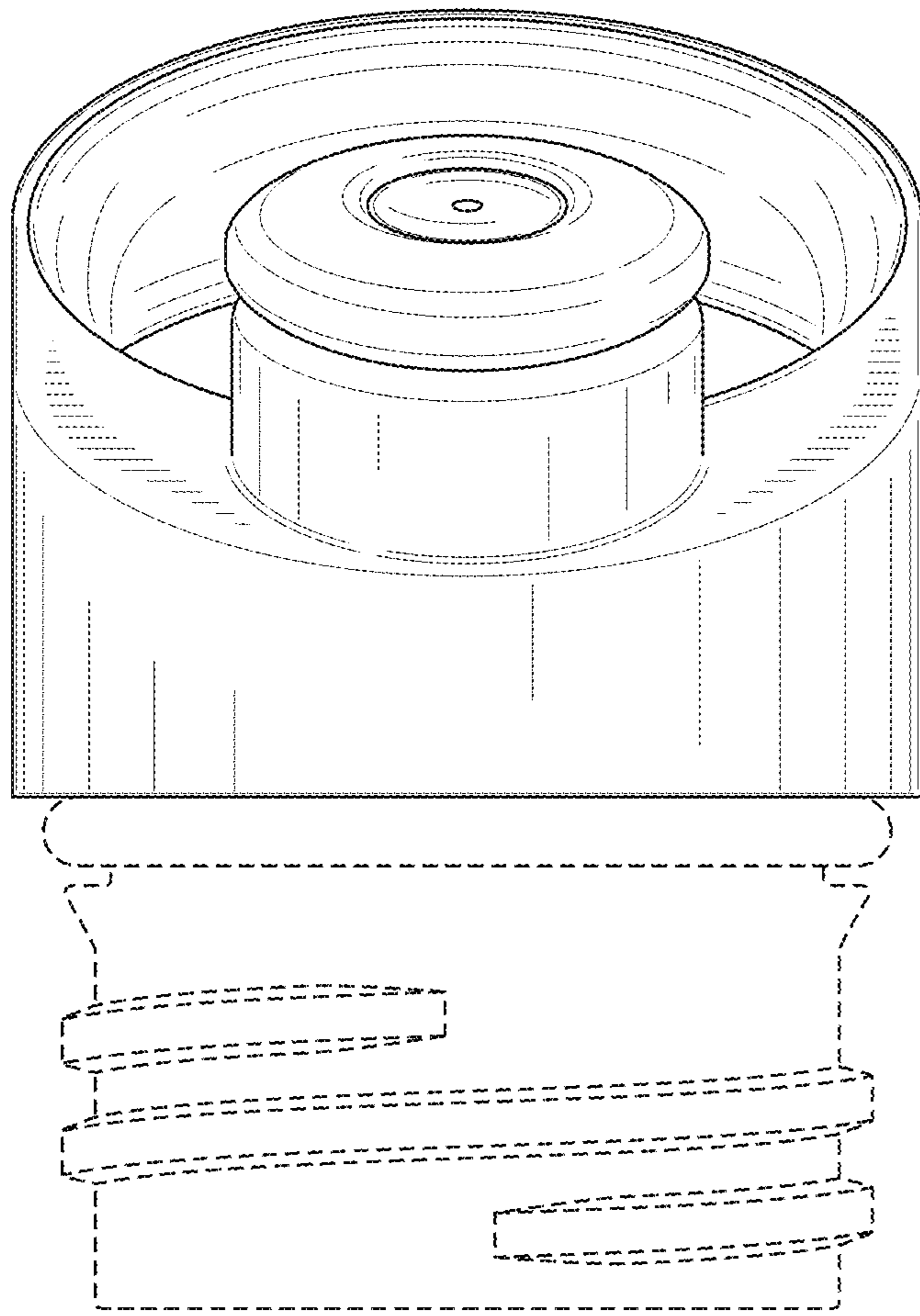


FIG. 4

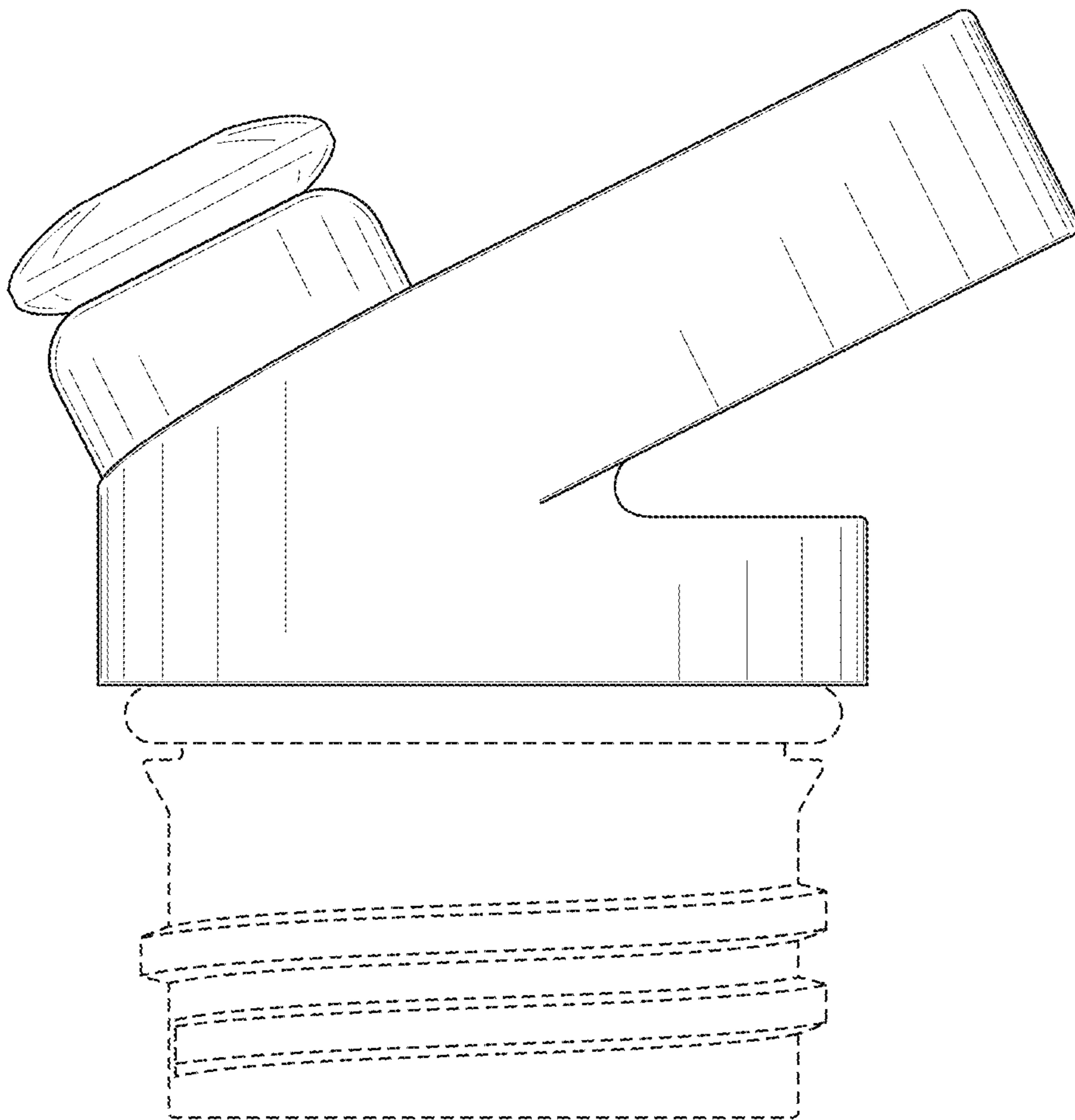


FIG. 5

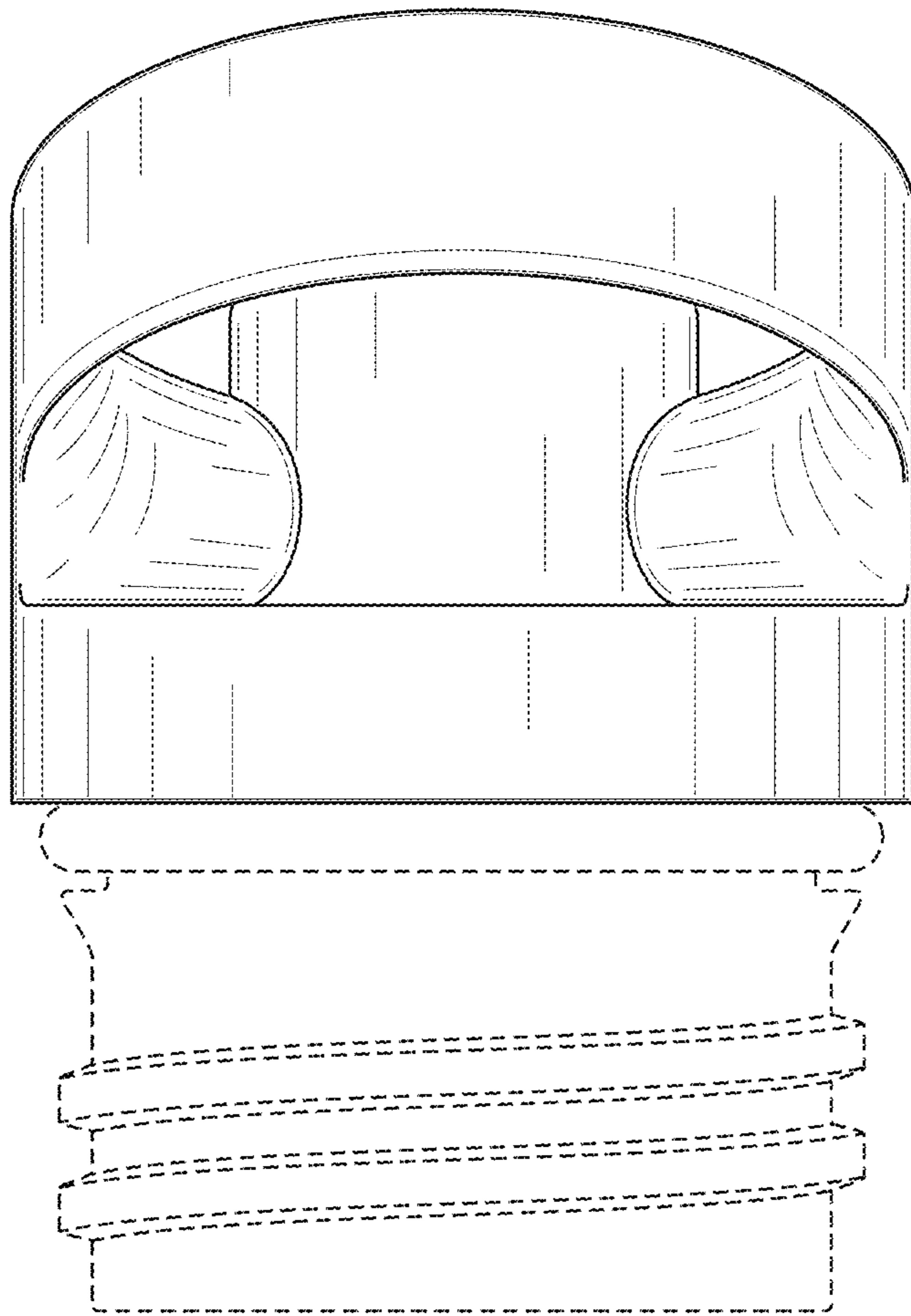


FIG. 6

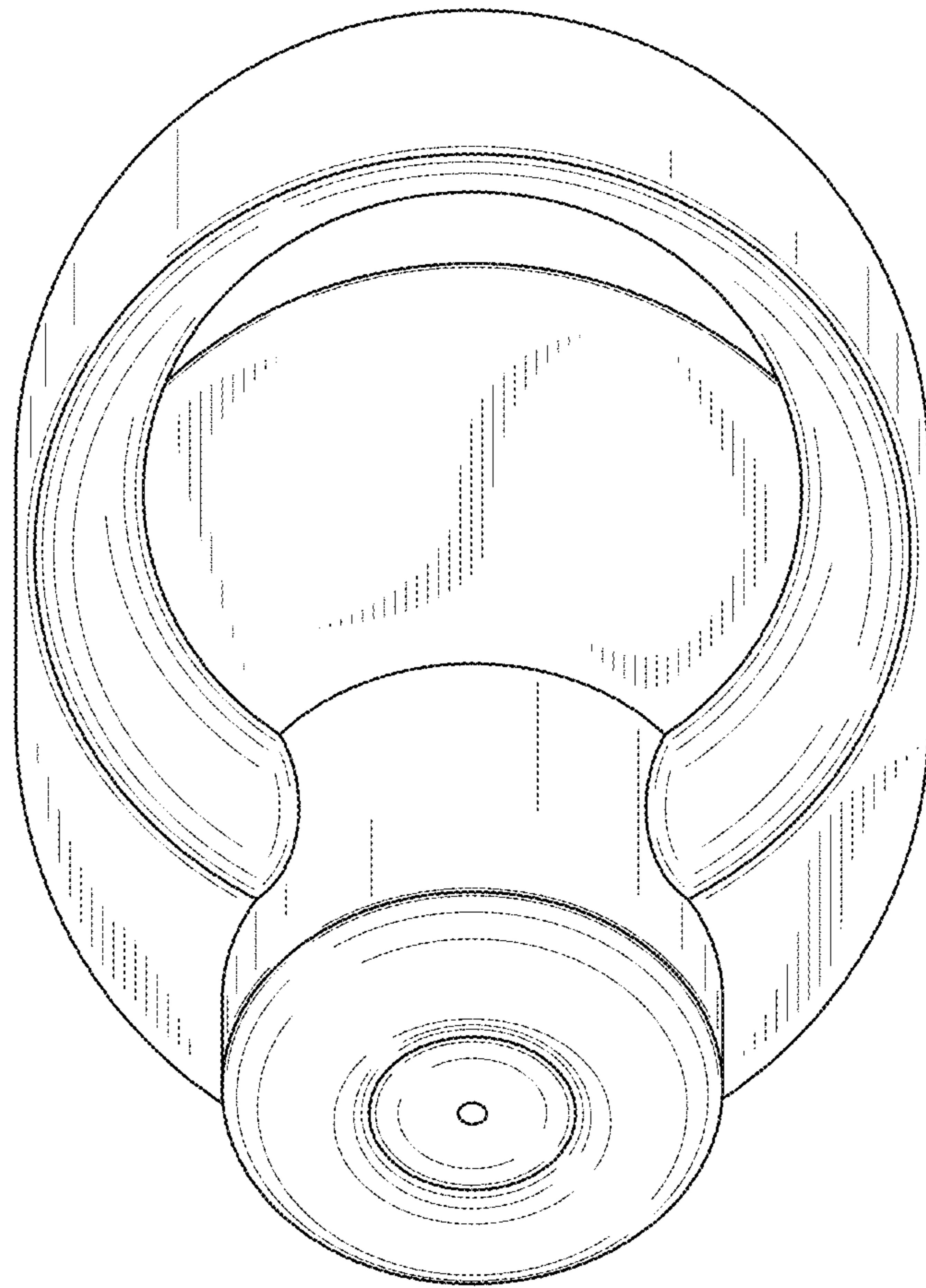


FIG. 7

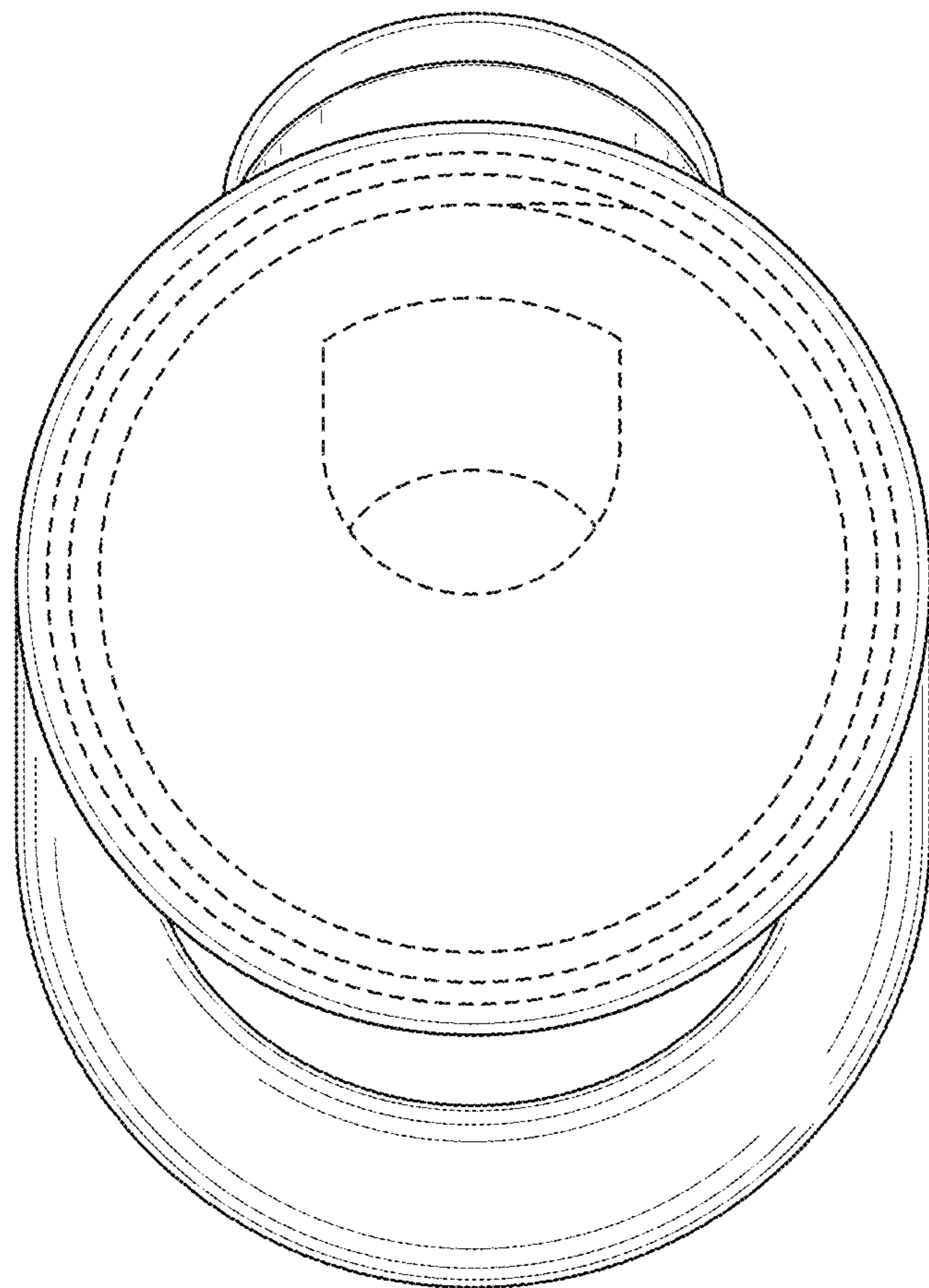


FIG. 8