



US00D777506S

(12) **United States Design Patent** (10) **Patent No.:** **US D777,506 S**  
**Mirchandani et al.** (45) **Date of Patent:** **\*\* Jan. 31, 2017**

(54) **ROUND PAN**

(71) Applicants: **Keith Mirchandani**, Fairfield, NJ (US);  
**Mo-Tsan Tsai**, Shenzhen (CN)

(72) Inventors: **Keith Mirchandani**, Fairfield, NJ (US);  
**Mo-Tsan Tsai**, Shenzhen (CN)

(73) Assignees: **TRISTAR PRODUCTS, INC.**,  
Fairfield, NJ (US); **KE M.O. HOUSE**  
**CO., LTD.**, Shenzhen (CN)

(\*\*) Term: **15 Years**

(21) Appl. No.: **29/565,032**

(22) Filed: **May 17, 2016**

**Related U.S. Application Data**

(63) Continuation-in-part of application No. 29/552,601,  
filed on Jan. 24, 2016.

(51) **LOC (10) Cl.** ..... **07-02**

(52) **U.S. Cl.**  
USPC ..... **D7/361; D7/354**

(58) **Field of Classification Search**  
USPC ..... D7/323, 354–363, 391, 393–396, 402,  
D7/409

CPC ..... A47G 19/12; A47J 27/00; A47J 27/002;  
A47J 27/022; A47J 27/02; A47J  
27/08; A47J 27/21; A47J 27/58; A47J  
36/025; A47J 36/02; A47J 36/06; A47J  
36/12; A47J 37/00; A47J 37/10; A47J  
37/101; A47J 37/103; A47J 37/12; A47J  
37/1204; A47J 45/061; A47J  
45/071; A47J 45/08; B23K 20/002; H05B  
6/12

See application file for complete search history.

(56) **References Cited**

**U.S. PATENT DOCUMENTS**

2,085,220	A *	6/1937	Howlett .....	A47J 27/022
				126/390.1
D263,670	S	4/1982	Schawalder	
4,926,843	A *	5/1990	Vocke .....	A47J 27/022
				126/390.1
D338,370	S	8/1993	Takeda	
5,323,693	A	6/1994	Collard et al.	

(Continued)

**FOREIGN PATENT DOCUMENTS**

CN	300743744	2/2008
CN	301355624	9/2010

(Continued)

*Primary Examiner* — Ricky Pham

(74) *Attorney, Agent, or Firm* — Adler Pollock &  
Sheehan P.C.; Daniel J. Holmander, Esq.; George N.  
Chaclas, Esq.

(57) **CLAIM**

The ornamental design for a round pan, as shown and  
described.

**DESCRIPTION**

FIG. 1 is a perspective view of a round pan in accordance  
with the subject disclosure.

FIG. 2 is a front view of the round pan seen in FIG. 1.

FIG. 3 is a rear view of the round pan seen in FIG. 1.

FIG. 4 is a right side view of the round pan seen in FIG. 1.

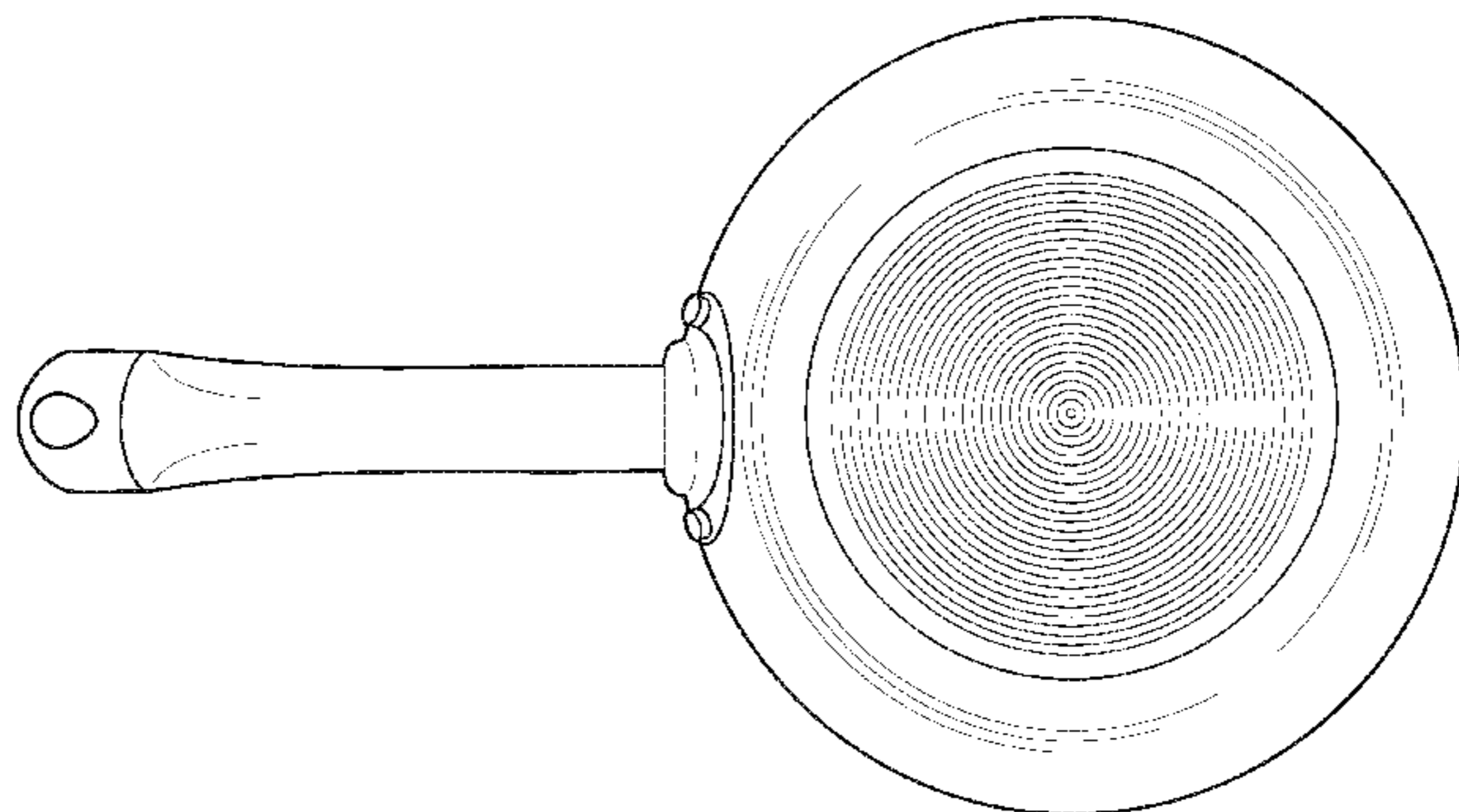
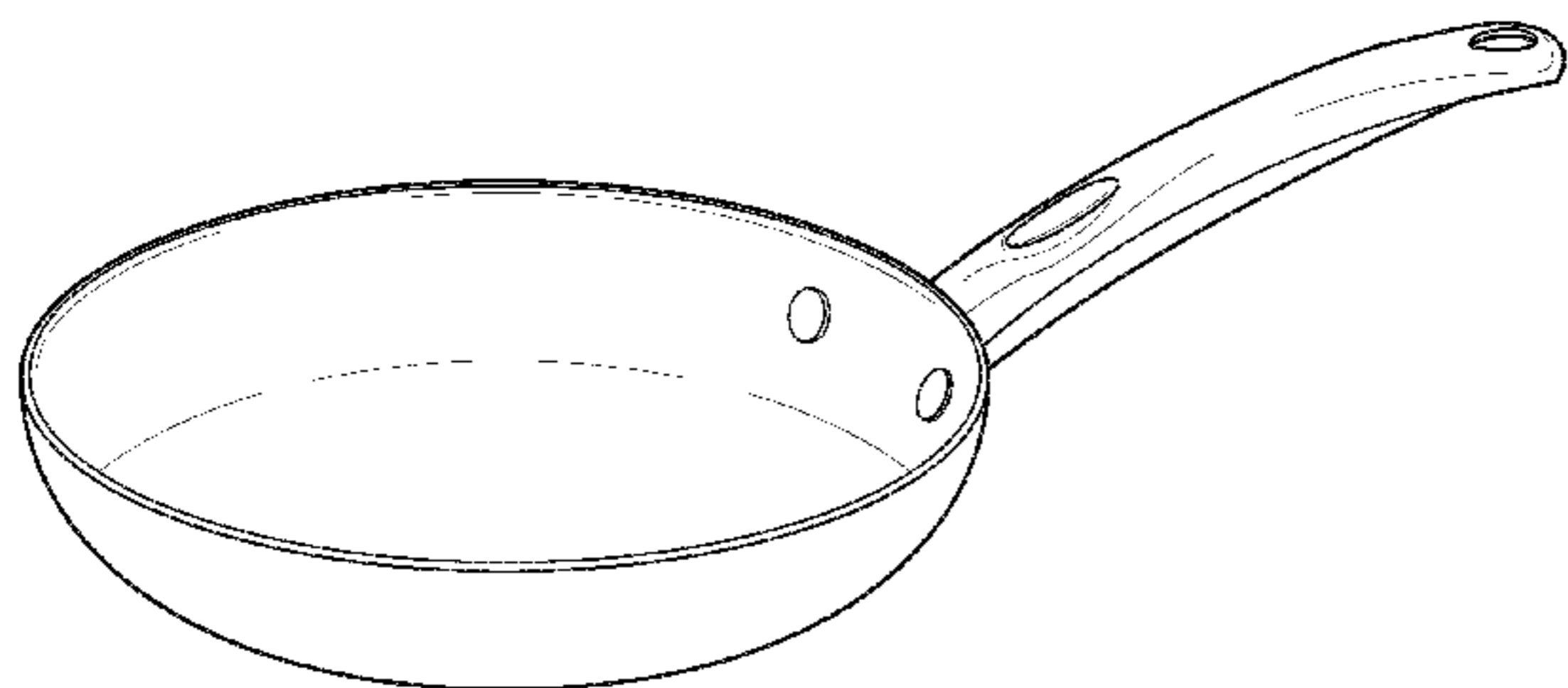
FIG. 5 is a left side view of the round pan seen in FIG. 1.

FIG. 6 is a top view of the round pan seen in FIG. 1; and,

FIG. 7 is a bottom view of the round pan seen in FIG. 1.

The broken line showings of the round pan are included for  
the purpose of illustrating portions of the round pan and  
form no part of the claimed design.

**1 Claim, 7 Drawing Sheets**



(56)

References Cited

U.S. PATENT DOCUMENTS

5,396,834 A \* 3/1995 Gambini ..... A47J 27/022  
126/390.1  
5,497,696 A \* 3/1996 Coudurier ..... A47J 36/02  
126/390.1  
D373,286 S \* 9/1996 Antonio ..... D7/361  
D373,287 S \* 9/1996 Antonio ..... D7/360  
D374,149 S \* 10/1996 Candianides ..... D7/359  
D377,438 S \* 1/1997 Brunianyn ..... D7/361  
D392,152 S \* 3/1998 Rae ..... D7/354  
D414,981 S 10/1999 Roskind et al.  
D458,798 S \* 6/2002 Kellermann ..... D7/360  
D467,462 S \* 12/2002 Teisen-Simony ..... D7/360  
D470,716 S \* 2/2003 Kloppsteck ..... D7/361  
D549,041 S 8/2007 Kellermann et al.  
D555,418 S \* 11/2007 Cheng ..... D7/354  
D562,060 S \* 2/2008 Kloppsteck ..... D7/361  
7,415,922 B2 8/2008 Cheng  
D581,721 S \* 12/2008 Rae ..... D7/360  
D589,741 S \* 4/2009 Gerlach ..... D7/361  
D614,445 S 4/2010 Ferron et al.  
D618,505 S \* 6/2010 Rae ..... D7/359  
D627,193 S \* 11/2010 Marin ..... D7/354  
D631,281 S 1/2011 Bodum  
D639,602 S 6/2011 Bodum  
D662,775 S \* 7/2012 Moulin ..... D7/354  
D663,582 S \* 7/2012 Moulin ..... D7/354  
D664,000 S \* 7/2012 Moulin ..... D7/354

D669,730 S \* 10/2012 Mandil ..... D7/354  
D672,604 S 12/2012 Upston et al.  
D682,012 S \* 5/2013 Lin ..... D7/354  
D682,013 S \* 5/2013 Huang ..... D7/354  
D685,222 S 7/2013 Dang  
D693,627 S 11/2013 Moon et al.  
D696,059 S 12/2013 Bourbeau  
D696,060 S 12/2013 Schleinzer  
D712,194 S 9/2014 Thonis  
D732,335 S 6/2015 Thonis  
D751,334 S 3/2016 Pan  
D752,912 S 4/2016 Venot et al.  
2005/0211106 A1 9/2005 Dierkes  
2008/0035139 A1\* 2/2008 Marin ..... A47J 27/022  
126/390.1  
2015/0001226 A1\* 1/2015 Groll ..... B23K 20/002  
220/573.1

FOREIGN PATENT DOCUMENTS

CN 302846862 6/2014  
CN 303503839 12/2015  
EM 001112353-0001 5/2009  
EM 001171466-0002 10/2009  
EM 001610098-0001 10/2009  
EM 001320717-0001 4/2012  
EM 002445940-0025 4/2014  
HK 1002396.2 6/2010  
JP 1534683 S 10/2015

\* cited by examiner

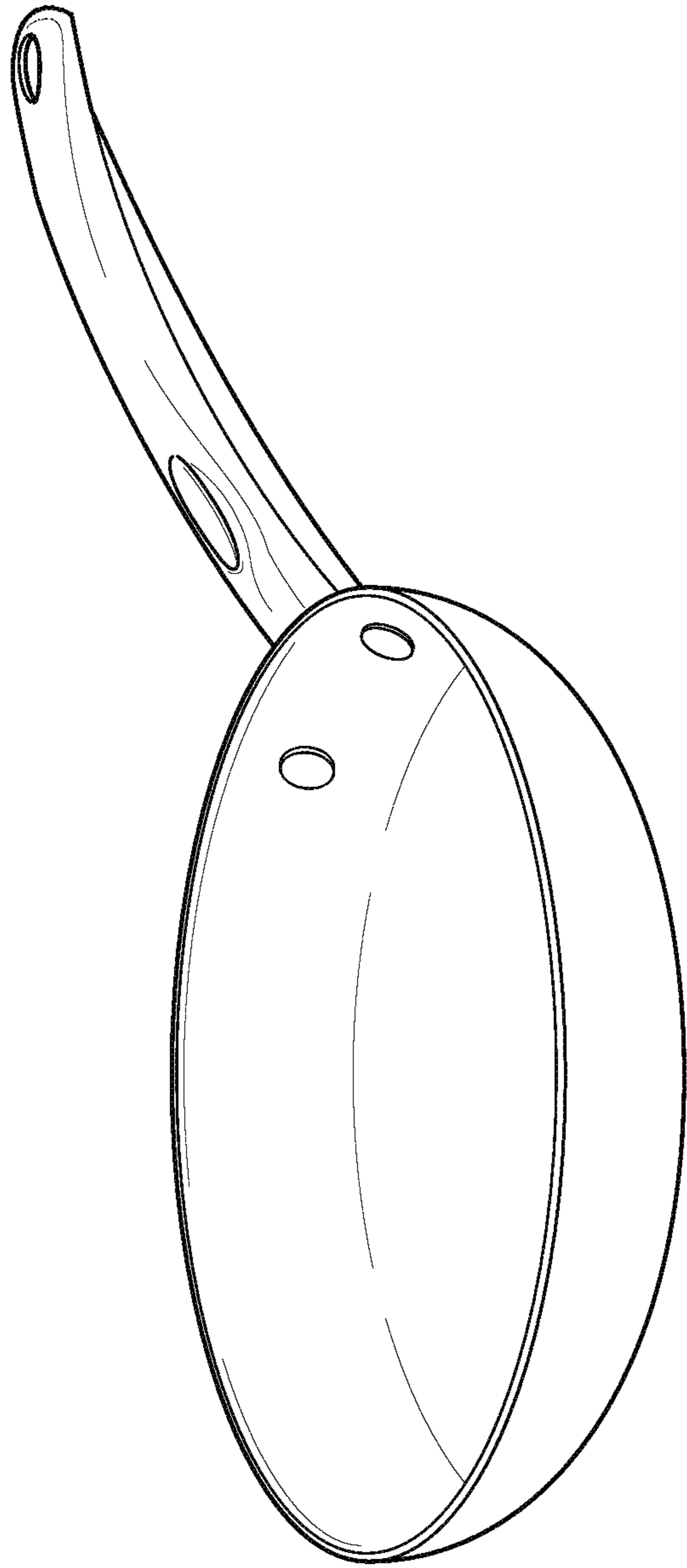


Fig. 1

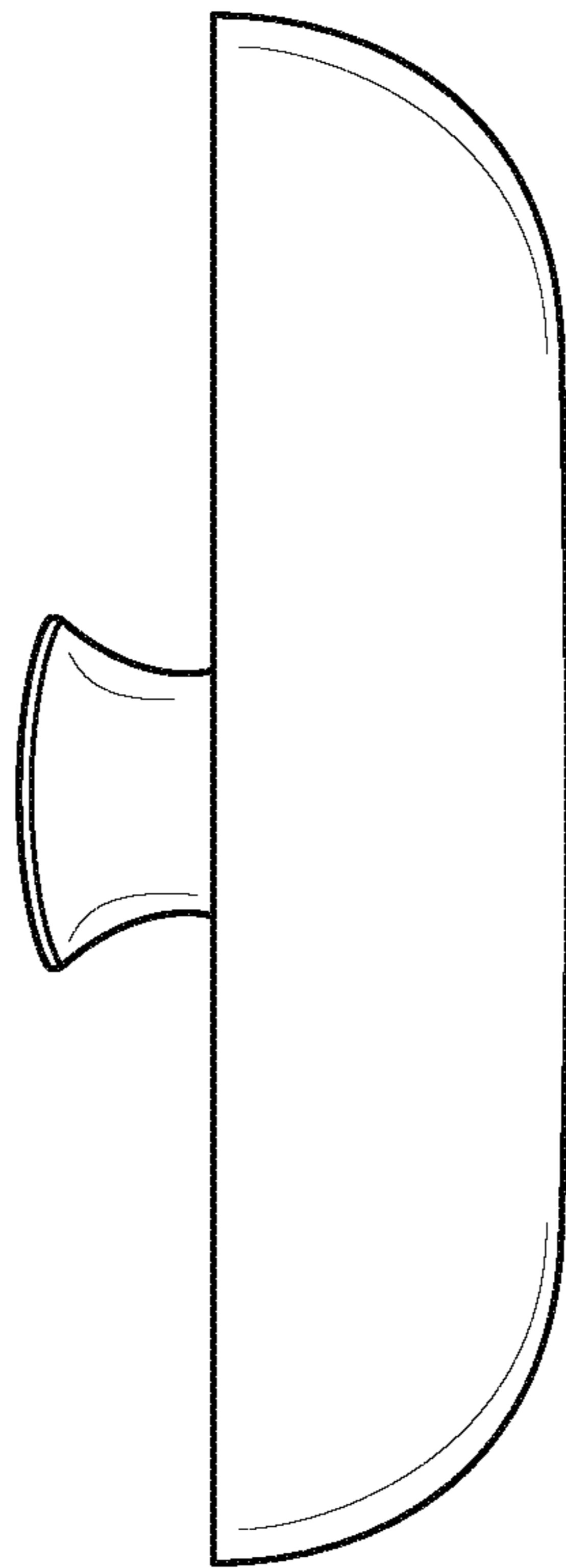


Fig. 2

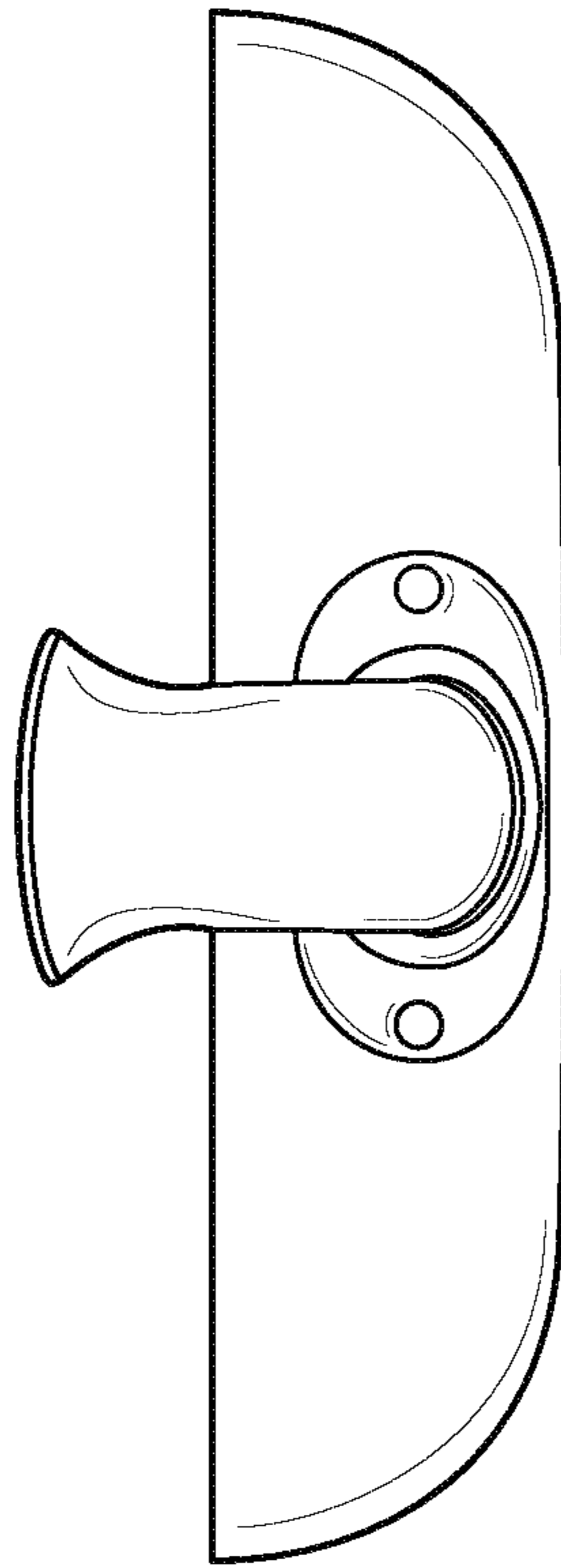


Fig. 3

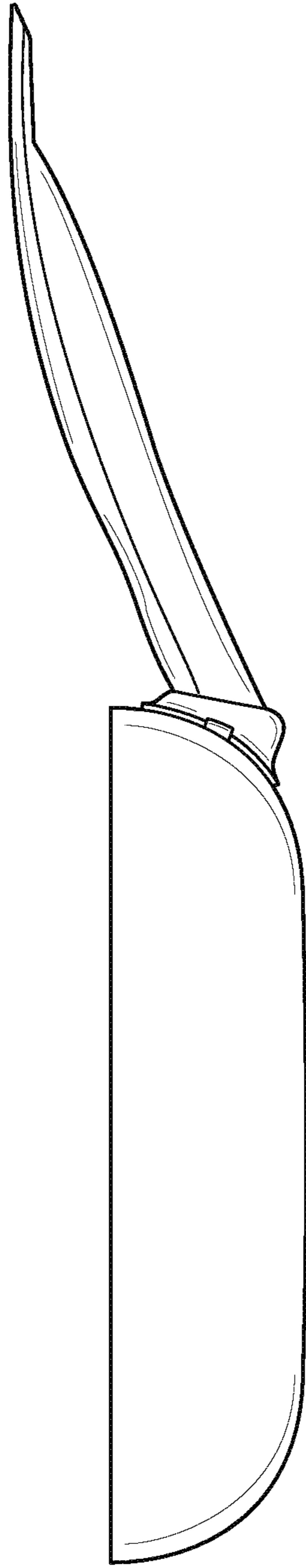


Fig. 4

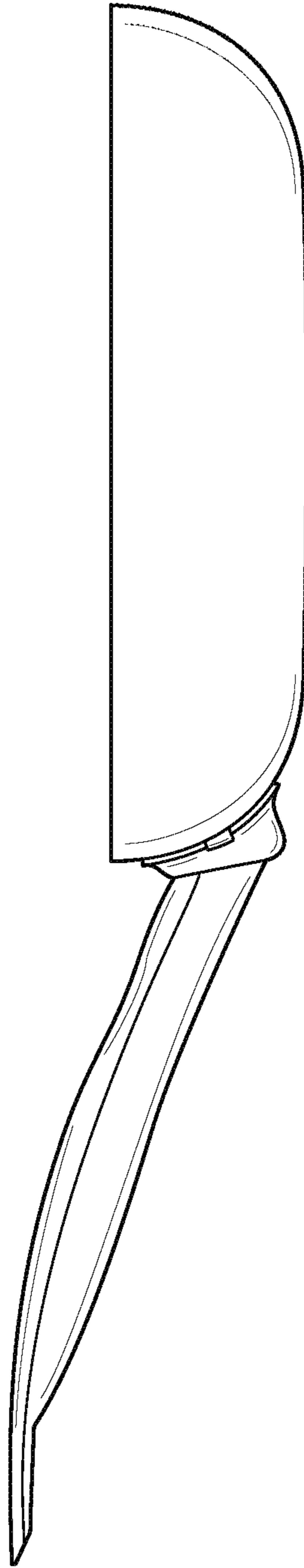


Fig. 5

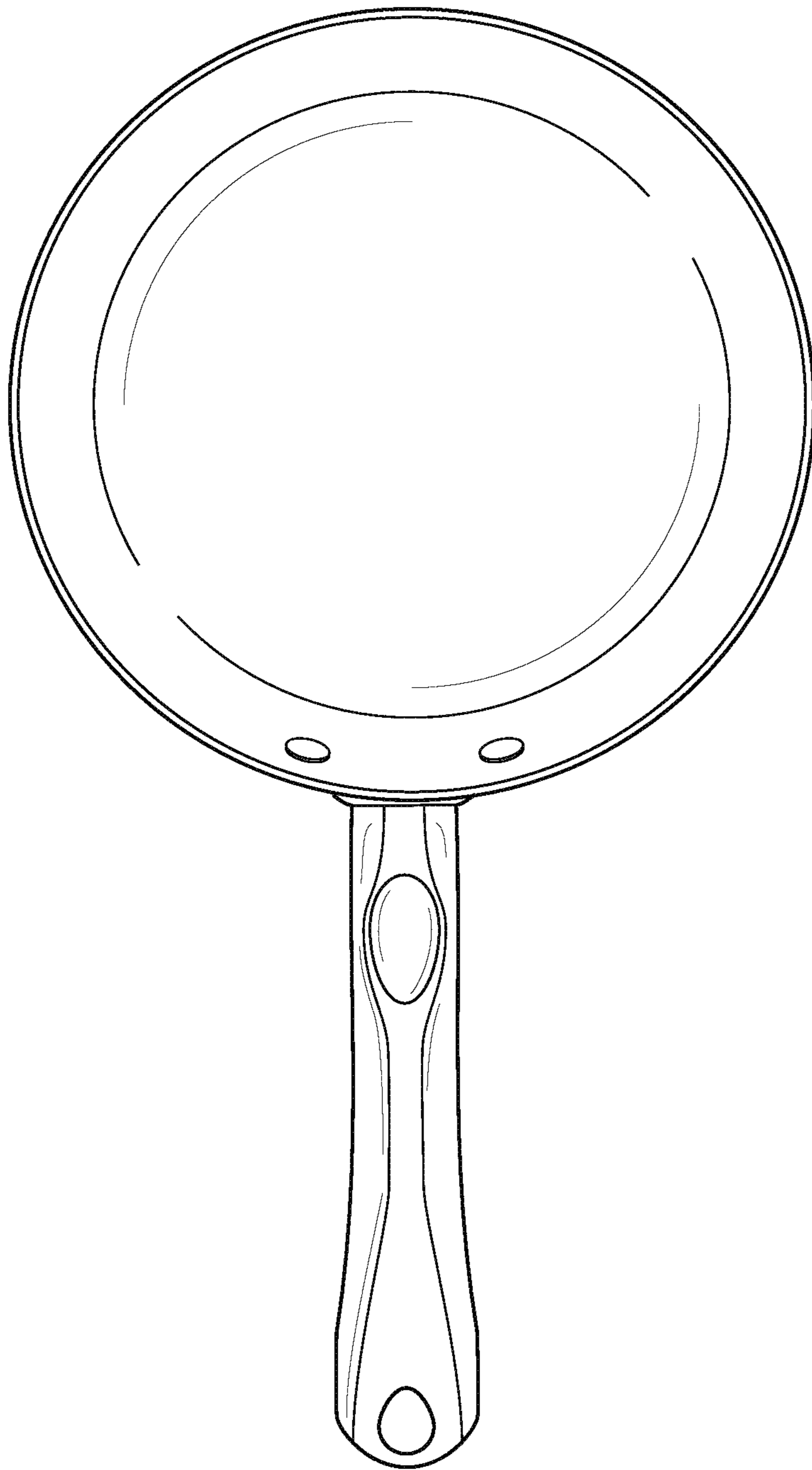


Fig. 6



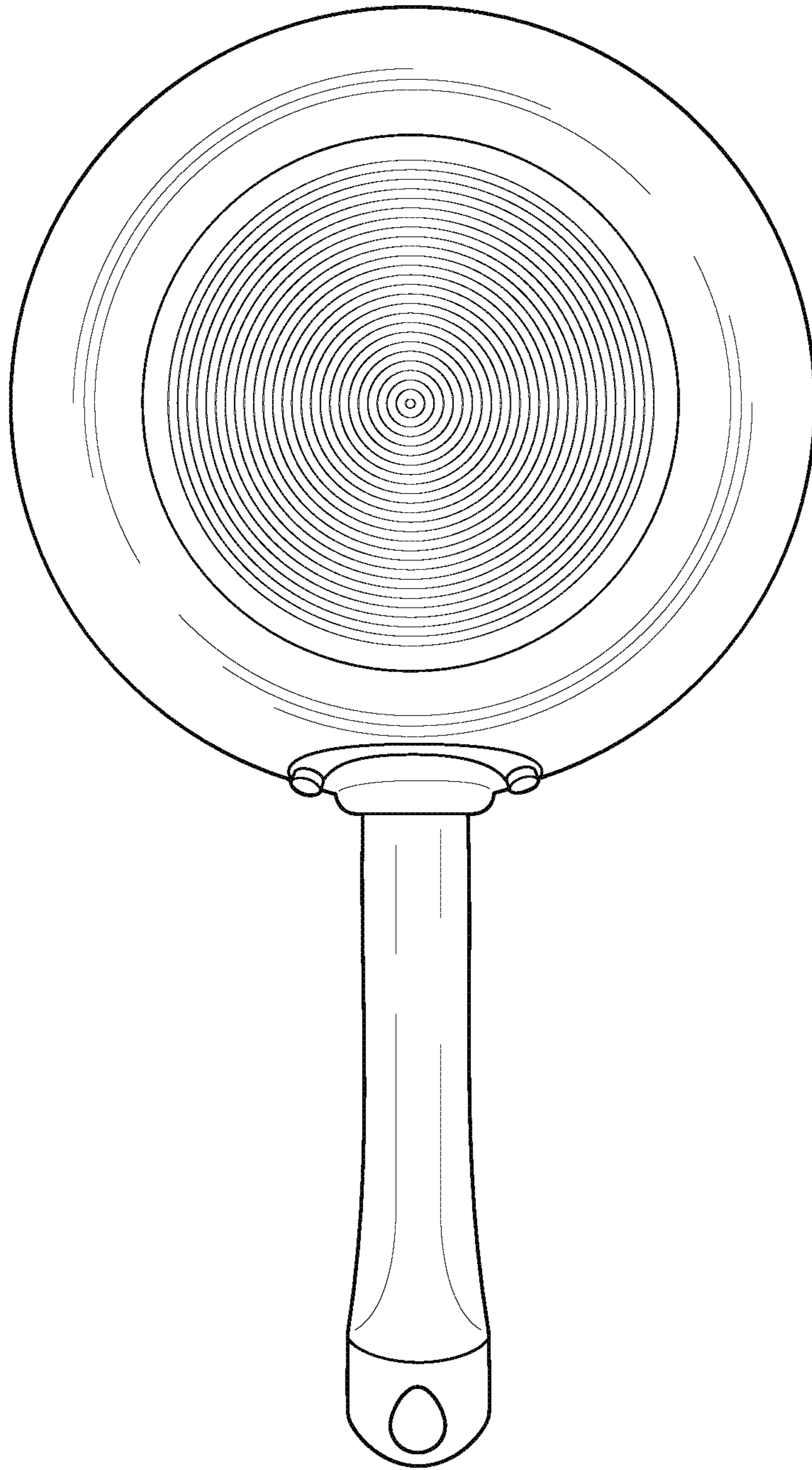


Fig. 7