



US00D777504S

(12) **United States Design Patent**  
**Bhogal et al.**

(10) **Patent No.:** **US D777,504 S**  
(45) **Date of Patent:** **\*\* Jan. 31, 2017**

(54) **COUNTERTOP OVEN WITH BUMPER**

**DESCRIPTION**

- (71) Applicant: **June Life, Inc.**, San Francisco, CA (US)
- (72) Inventors: **Nikhil Bhogal**, San Francisco, CA (US); **Danielle Sheehan**, San Francisco, CA (US); **Gabe Risk**, San Francisco, CA (US); **Amanda Tyree**, San Francisco, CA (US); **Nikko Lubinski**, San Francisco, CA (US); **Matt Van Horn**, San Francisco, CA (US); **William Drew Atkinson**, San Francisco, CA (US)
- (73) Assignee: **June Life, Inc.**, San Francisco, CA (US)
- (\*\*) Term: **15 Years**
- (21) Appl. No.: **29/529,544**
- (22) Filed: **Jun. 8, 2015**
- (51) **LOC (10) Cl.** ..... **07-02**
- (52) **U.S. Cl.**  
USPC ..... **D7/350.1**
- (58) **Field of Classification Search**  
USPC ..... D7/323, 332, 334–337, 348,  
D7/350.1–350.4, 351, 402–405, 417, 338  
(Continued)

(56) **References Cited**

**U.S. PATENT DOCUMENTS**

- 5,422,458 A \* 6/1995 Simmel ..... F24C 7/00  
126/192
- D463,198 S \* 9/2002 Nishikawa ..... D7/351  
(Continued)

*Primary Examiner* — Cynthia M Chin

(74) *Attorney, Agent, or Firm* — Jeffrey Schox; Diana Lin

(57) **CLAIM**

We claim the ornamental design for a countertop oven with bumper, as shown and described.

FIG. 1 is an isometric view, from the bottom right, of a first embodiment of the countertop oven with bumper.

FIG. 2 is an elevation view of the front of the first embodiment of the countertop oven with bumper.

FIG. 3 is an elevation view of the right side of the first embodiment of the countertop oven with bumper.

FIG. 4 is an elevation view of the left side of the first embodiment of the countertop oven with bumper.

FIG. 5 is a plan view of the top of the first embodiment of the countertop oven with bumper.

FIG. 6 is a plan view of the bottom of the first embodiment of the countertop oven with bumper.

FIG. 7 is an isometric view, from the bottom right, of a second embodiment of the countertop oven with bumper.

FIG. 8 is an elevation view of the front of the second embodiment of the countertop oven with bumper.

FIG. 9 is an elevation view of the right side of the second embodiment of the countertop oven with bumper.

FIG. 10 is an elevation view of the left side of the second embodiment of the countertop oven with bumper.

FIG. 11 is a plan view of the top of the second embodiment of the countertop oven with bumper.

FIG. 12 is a plan view of the bottom of the second embodiment of the countertop oven with bumper.

FIG. 13 is an isometric view, from the bottom right, of a third embodiment of the countertop oven with bumper.

FIG. 14 is an elevation view of the front of the third embodiment of the countertop oven with bumper.

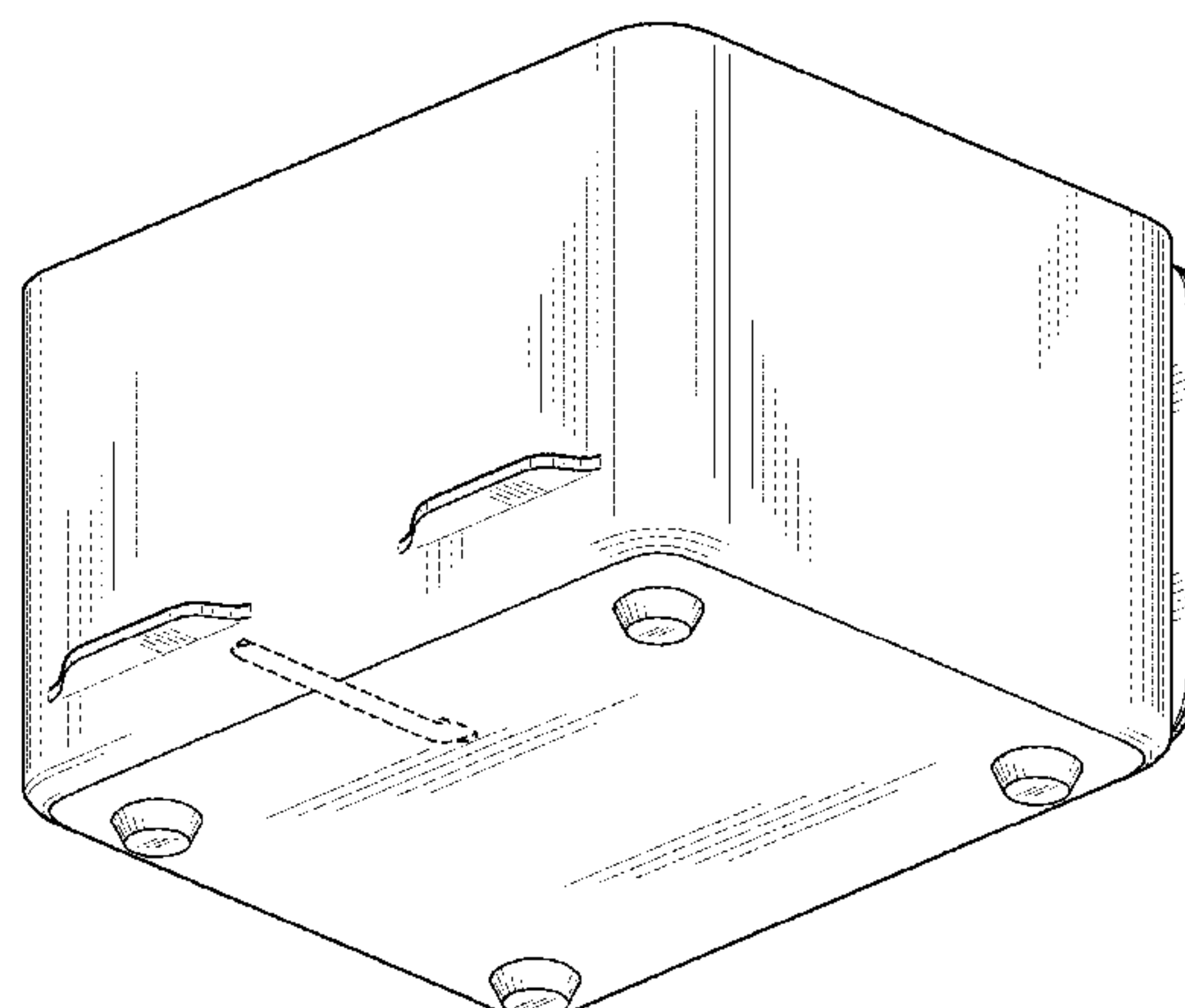
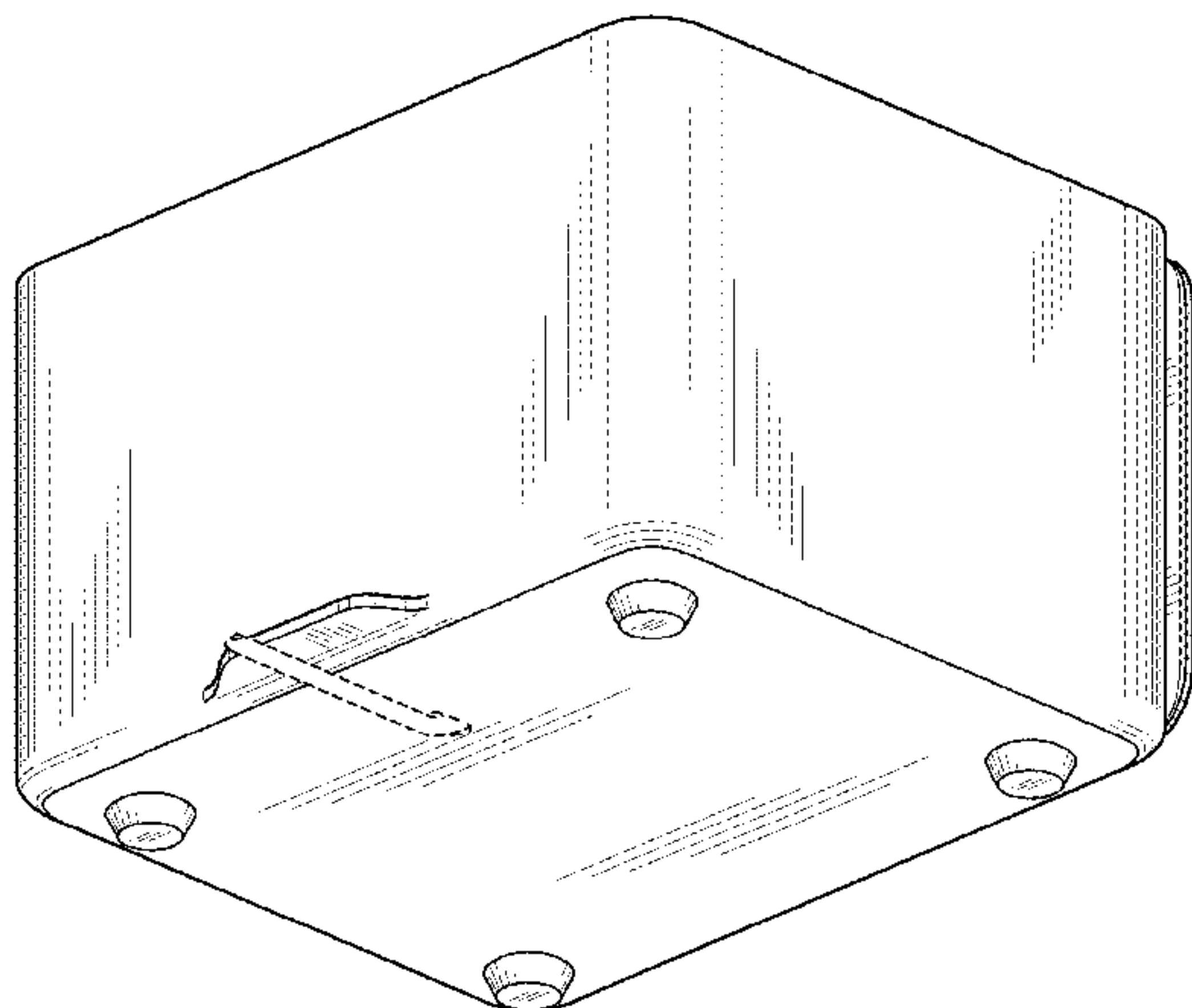
FIG. 15 is an elevation view of the right side of the third embodiment of the countertop oven with bumper.

FIG. 16 is an elevation view of the left side of the third embodiment of the countertop oven with bumper.

FIG. 17 is a plan view of the top of the third embodiment of the countertop oven with bumper; and,

FIG. 18 is a plan view of the bottom of the third embodiment of the countertop oven with bumper.

**1 Claim, 9 Drawing Sheets**



(58) **Field of Classification Search**

CPC A47J 37/0704; A47J 37/0763; A47J 37/0745;  
A47J 37/0713; A47J 37/0768; A47J  
37/079; A47J 36/26; A47J 39/00; F24B  
1/205; F24B 1/02; F24B 15/04; F24C  
3/14; F24C 3/027; F24C 15/08; F47J  
33/00; B65D 7/26; B65D 7/24; B65D  
85/1045; B65D 85/18; A23B 4/052

See application file for complete search history.

(56) **References Cited**

U.S. PATENT DOCUMENTS

D525,075	S	*	7/2006	Jeon	.....	D7/350.1
D539,592	S	*	4/2007	Jeon	.....	D7/350.1
D540,613	S	*	4/2007	Jeon	.....	D7/350.1
D655,129	S	*	3/2012	Gresko	.....	D7/350.1
D663,156	S	*	7/2012	Curtis	.....	D7/350.1
D670,529	S	*	11/2012	Hensel	.....	D7/350.1
D717,579	S	*	11/2014	Gregory	.....	D7/350.4
2002/0084266	A1	*	7/2002	Ahn	.....	H05B 6/642 219/757
2005/0133503	A1	*	6/2005	Kim	.....	H05B 6/642 219/757
2006/0289506	A1	*	12/2006	Shon	.....	H05B 6/6461 219/707
2009/0107343	A1	*	4/2009	De' Longhi	.....	A47J 37/0623 99/352

\* cited by examiner

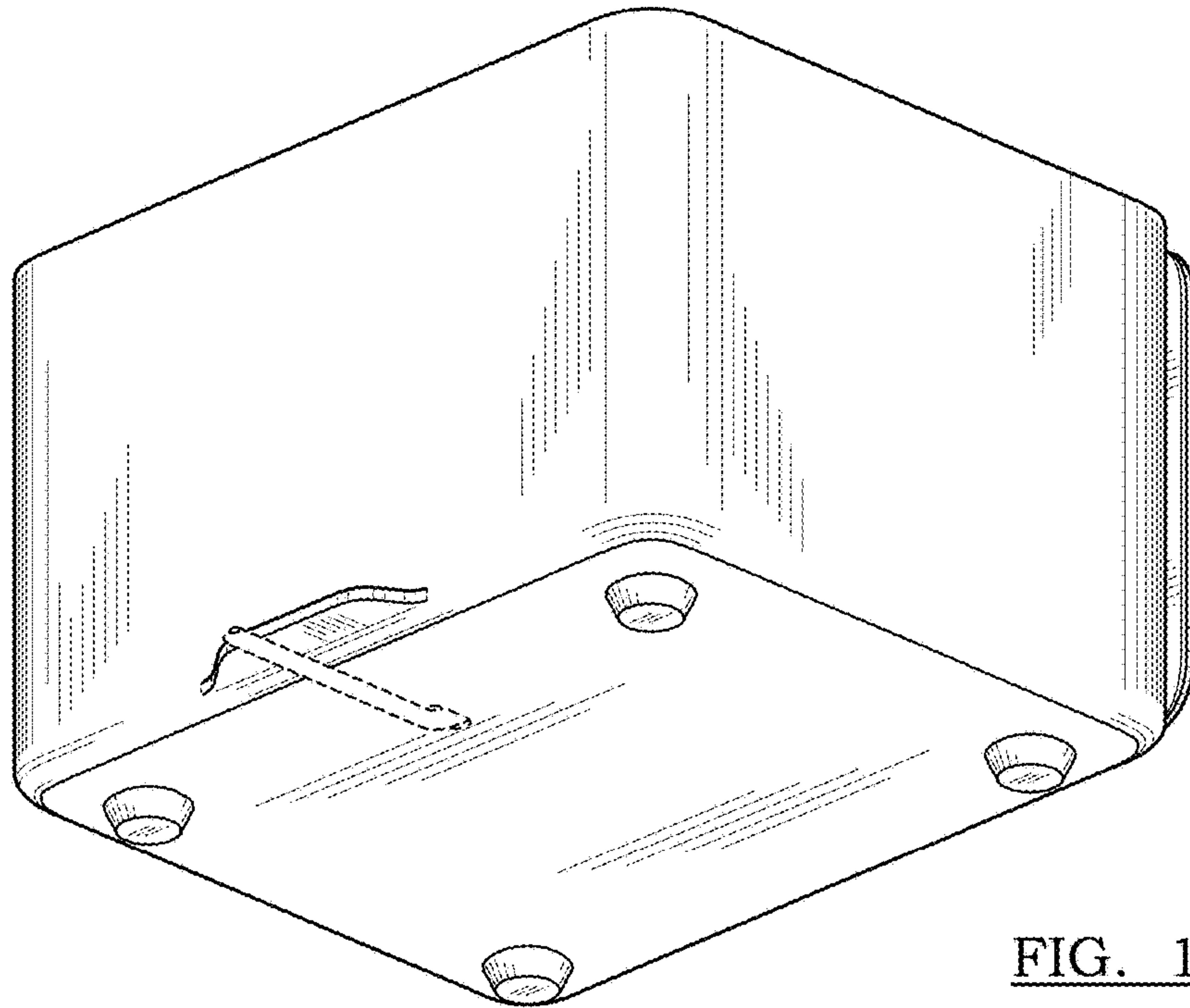


FIG. 1

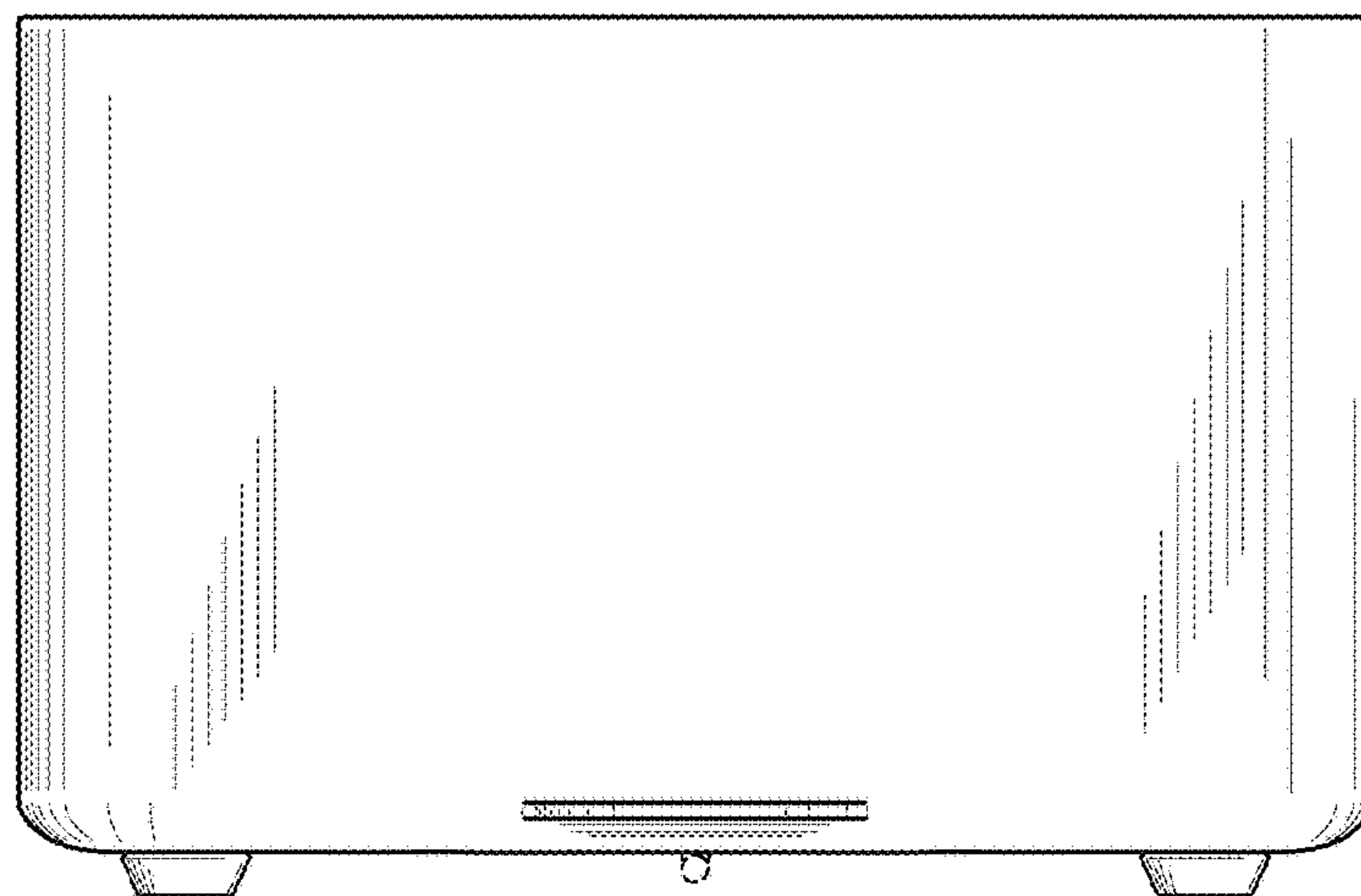


FIG. 2

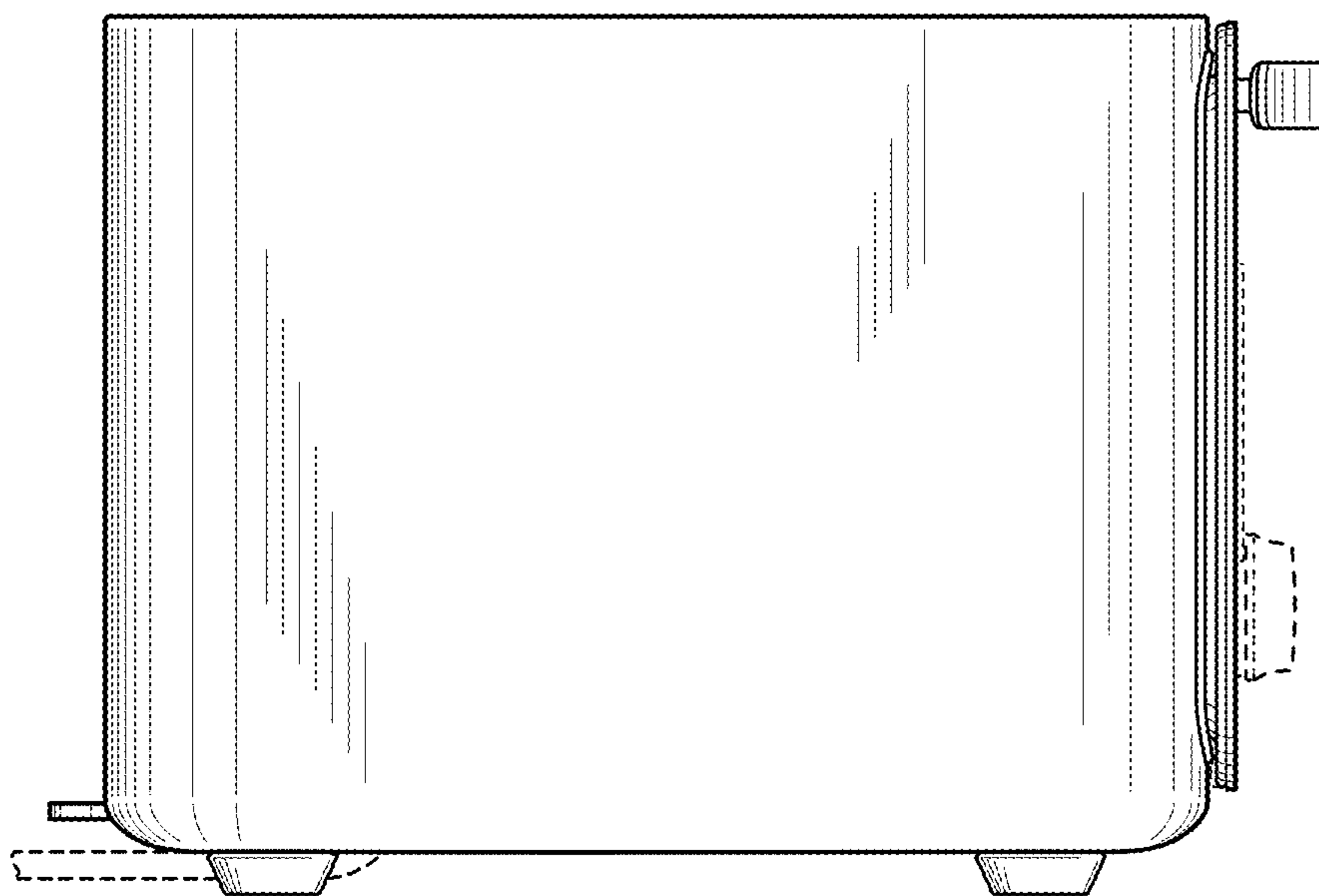


FIG. 3

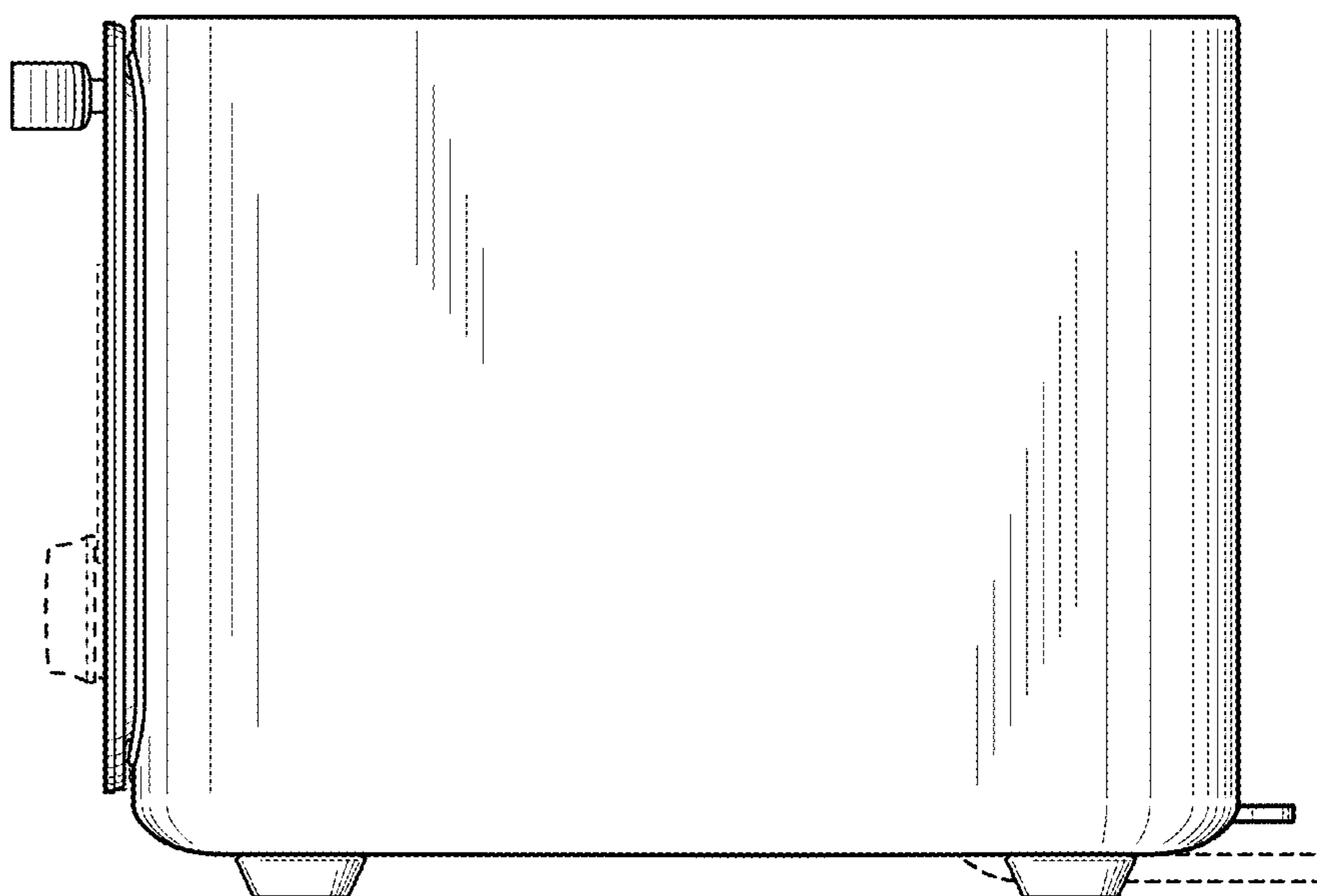


FIG. 4



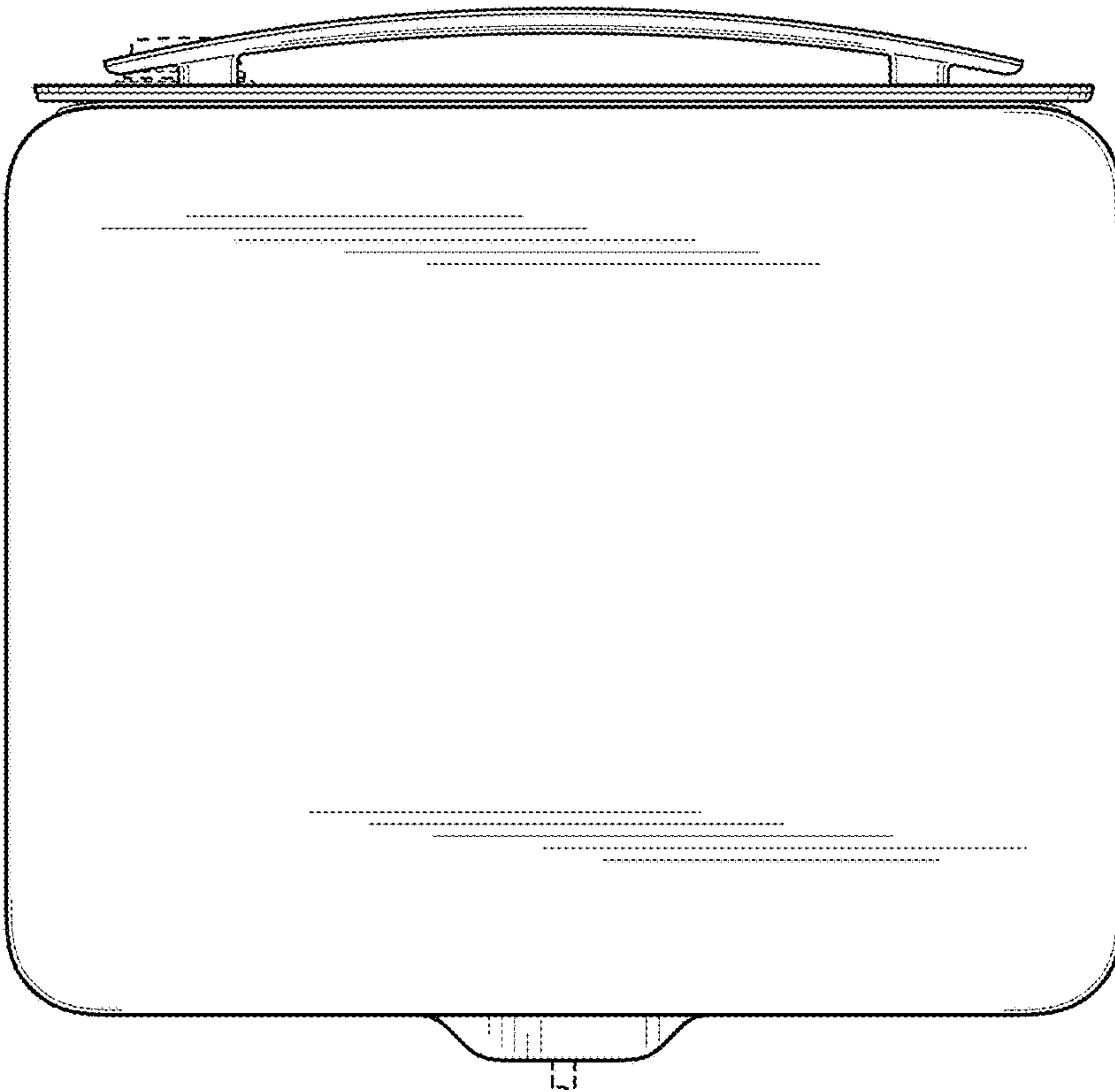


FIG. 5

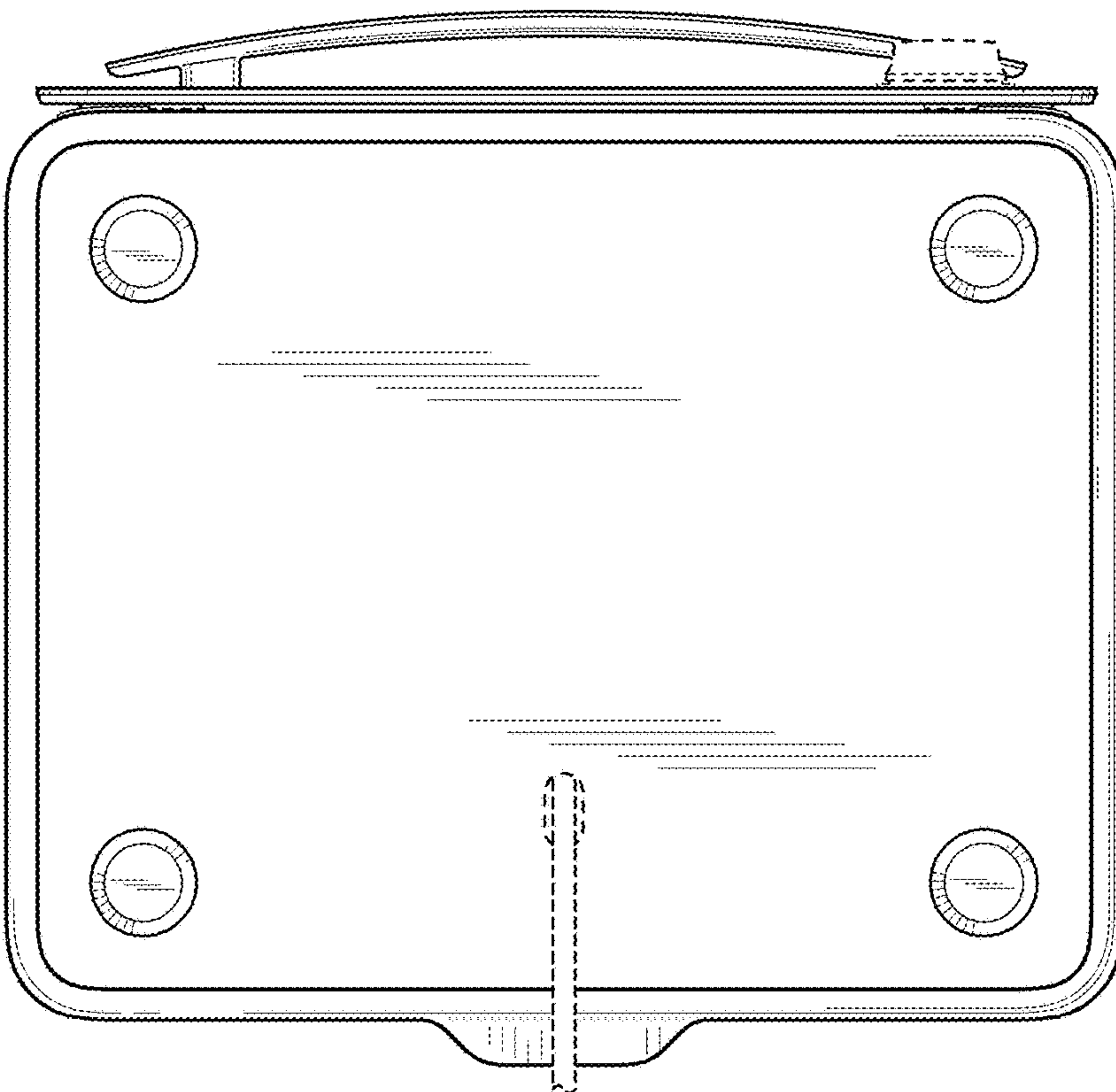


FIG. 6

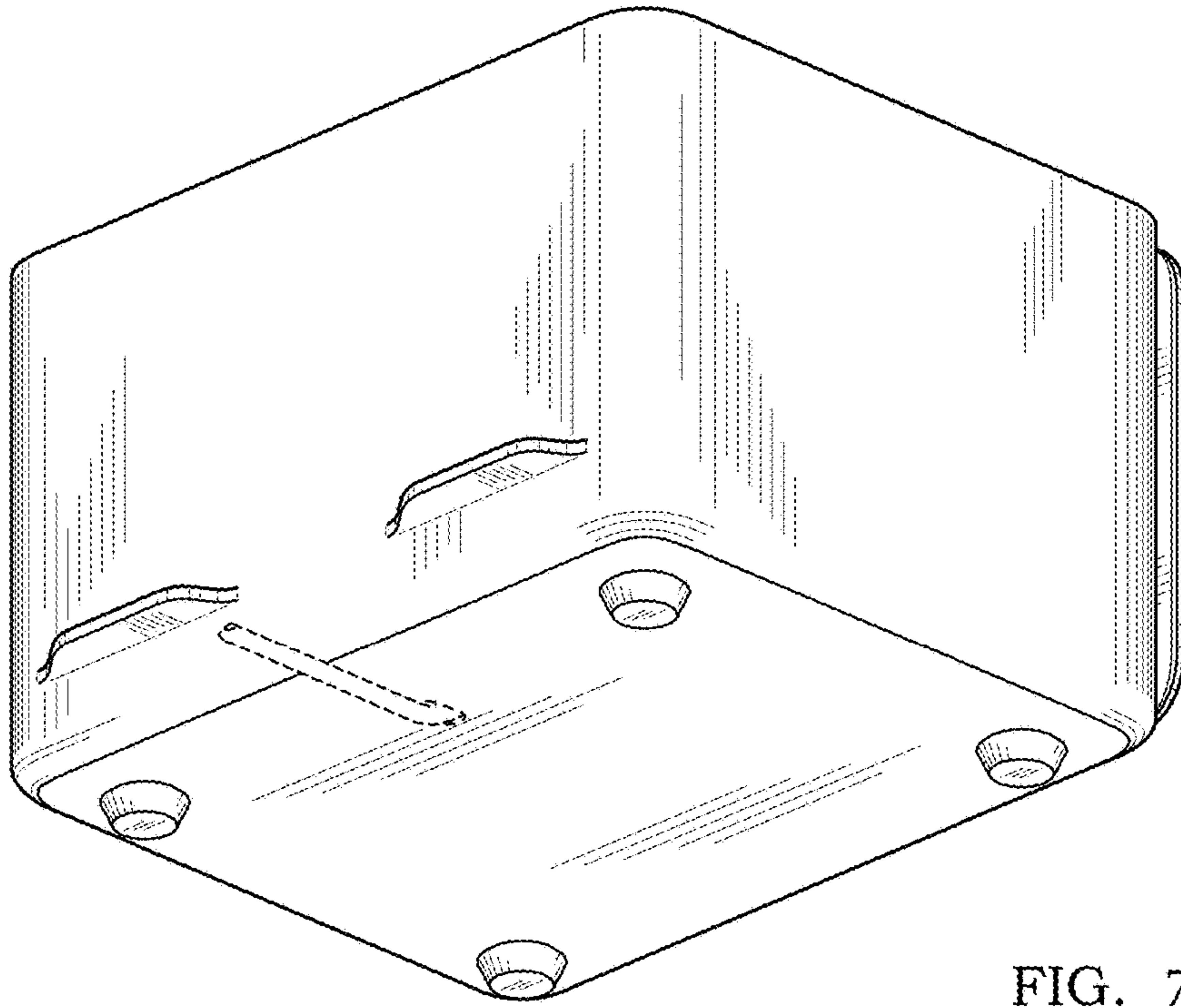


FIG. 7

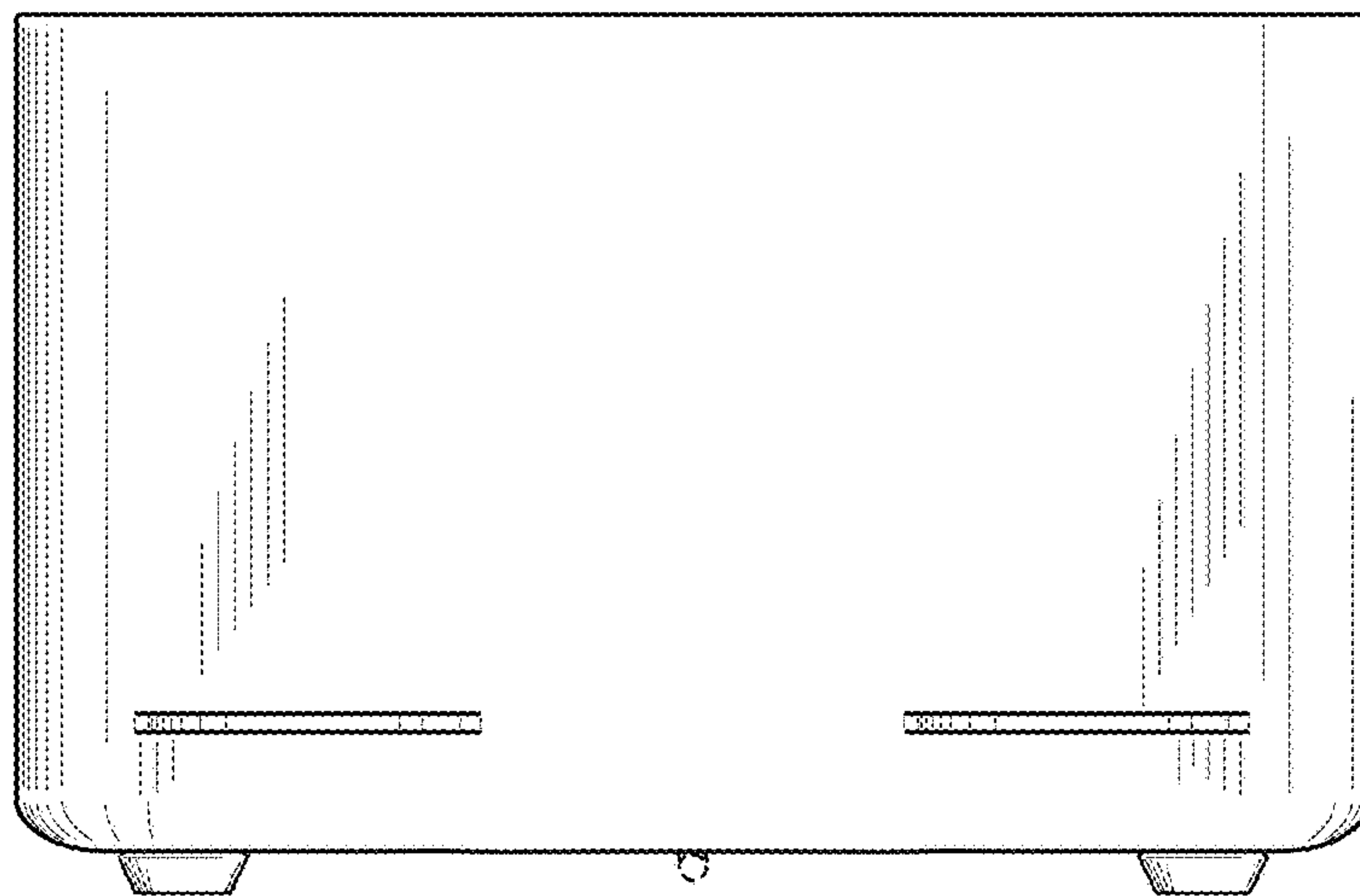


FIG. 8

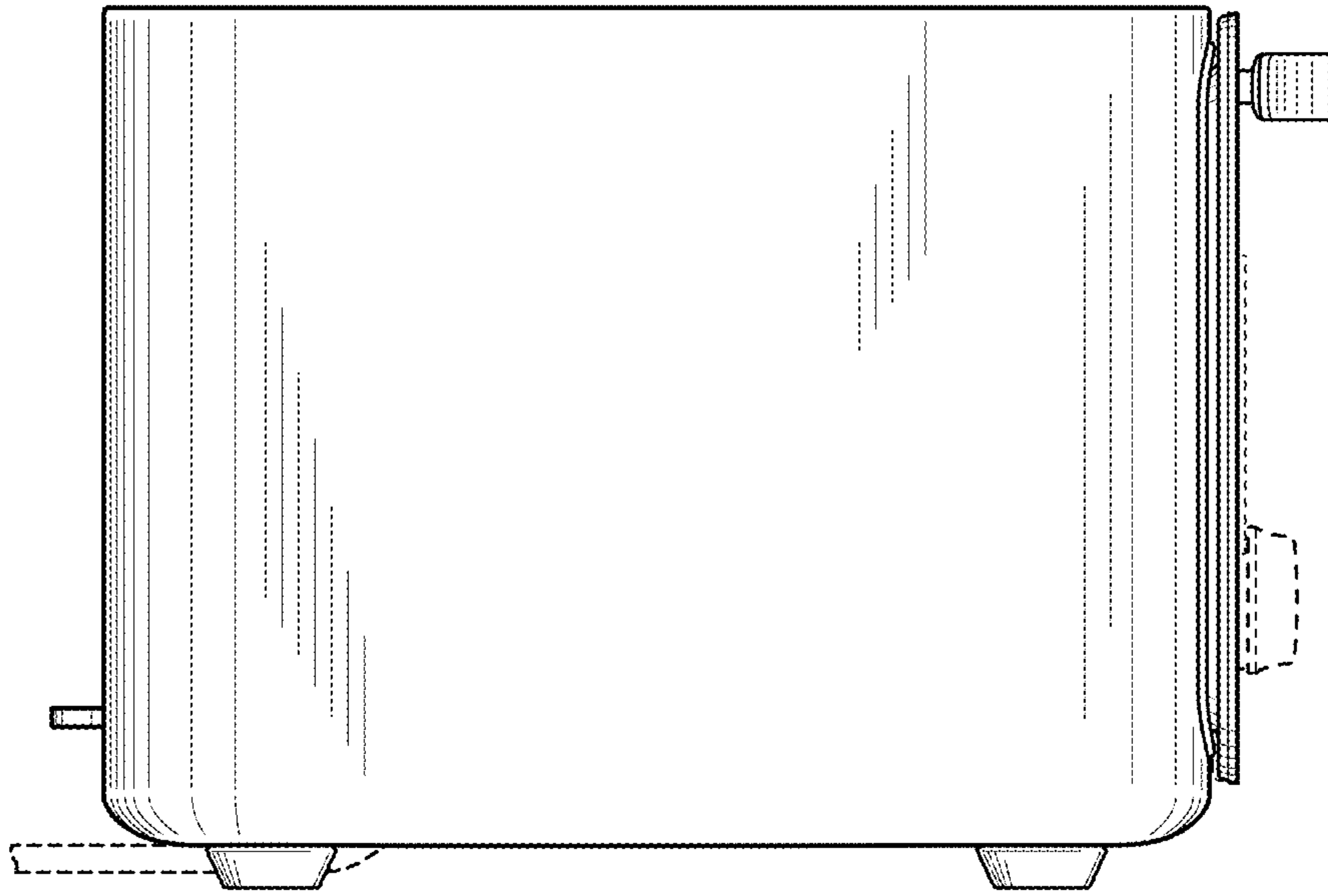


FIG. 9

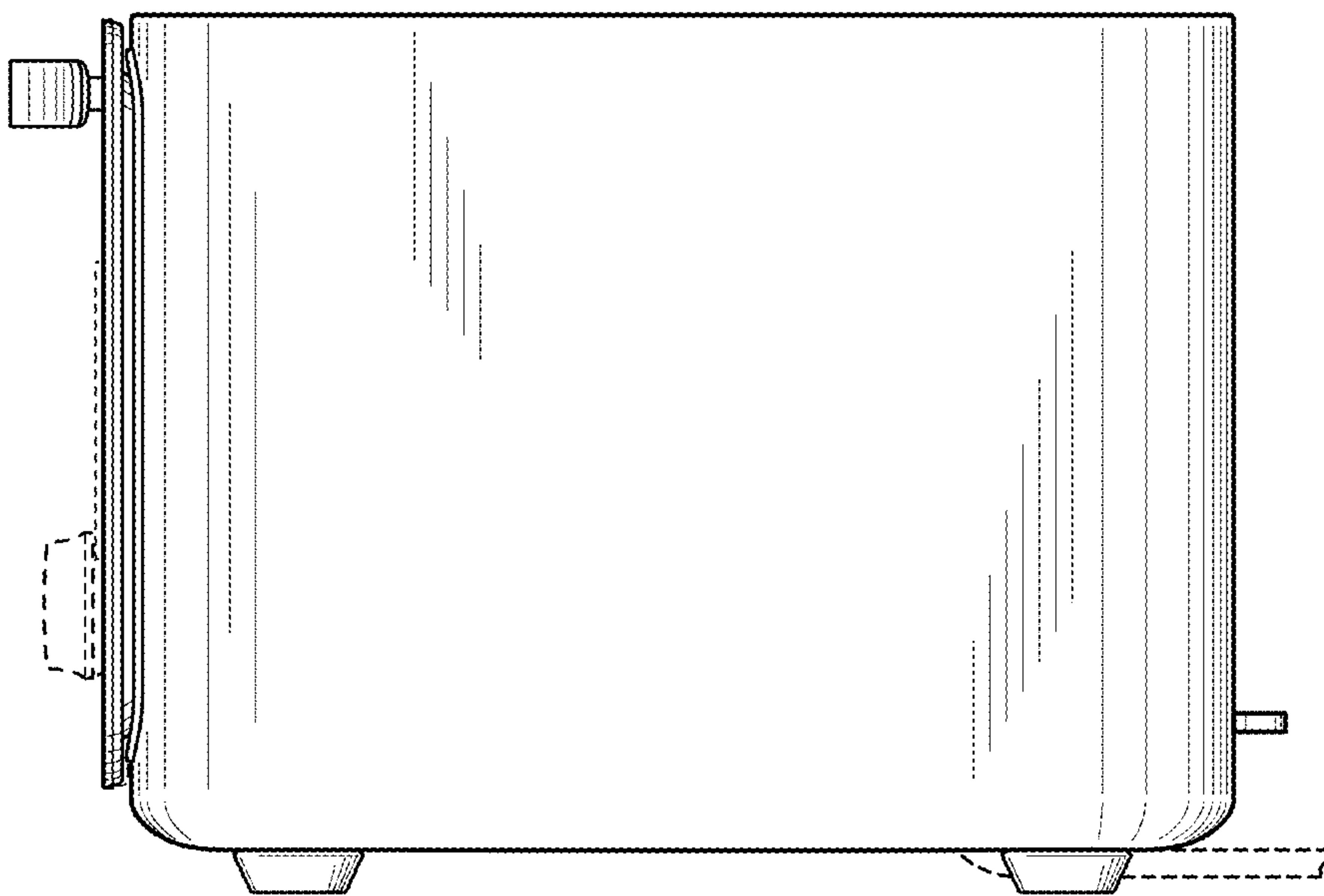


FIG. 10

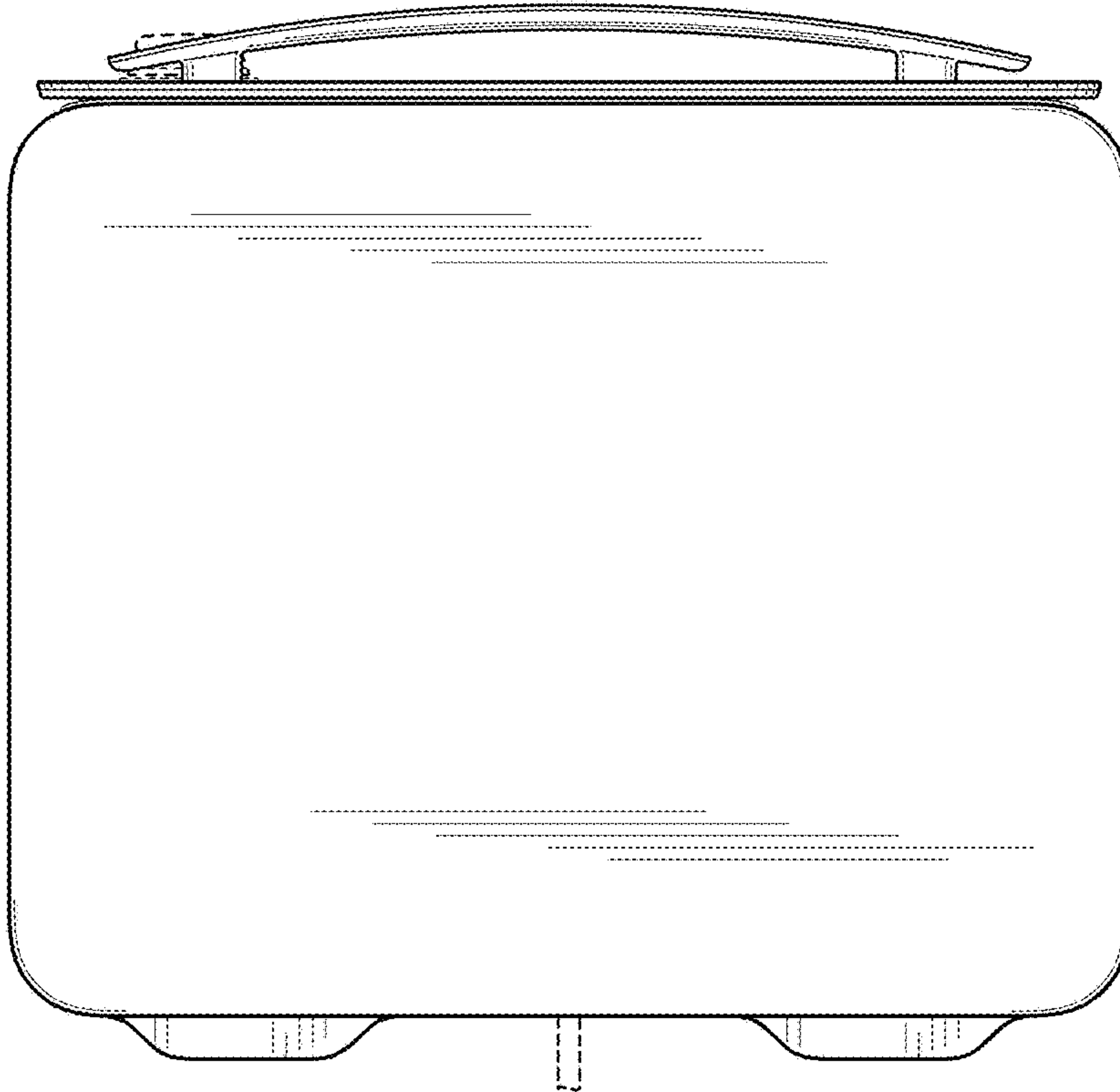


FIG. 11

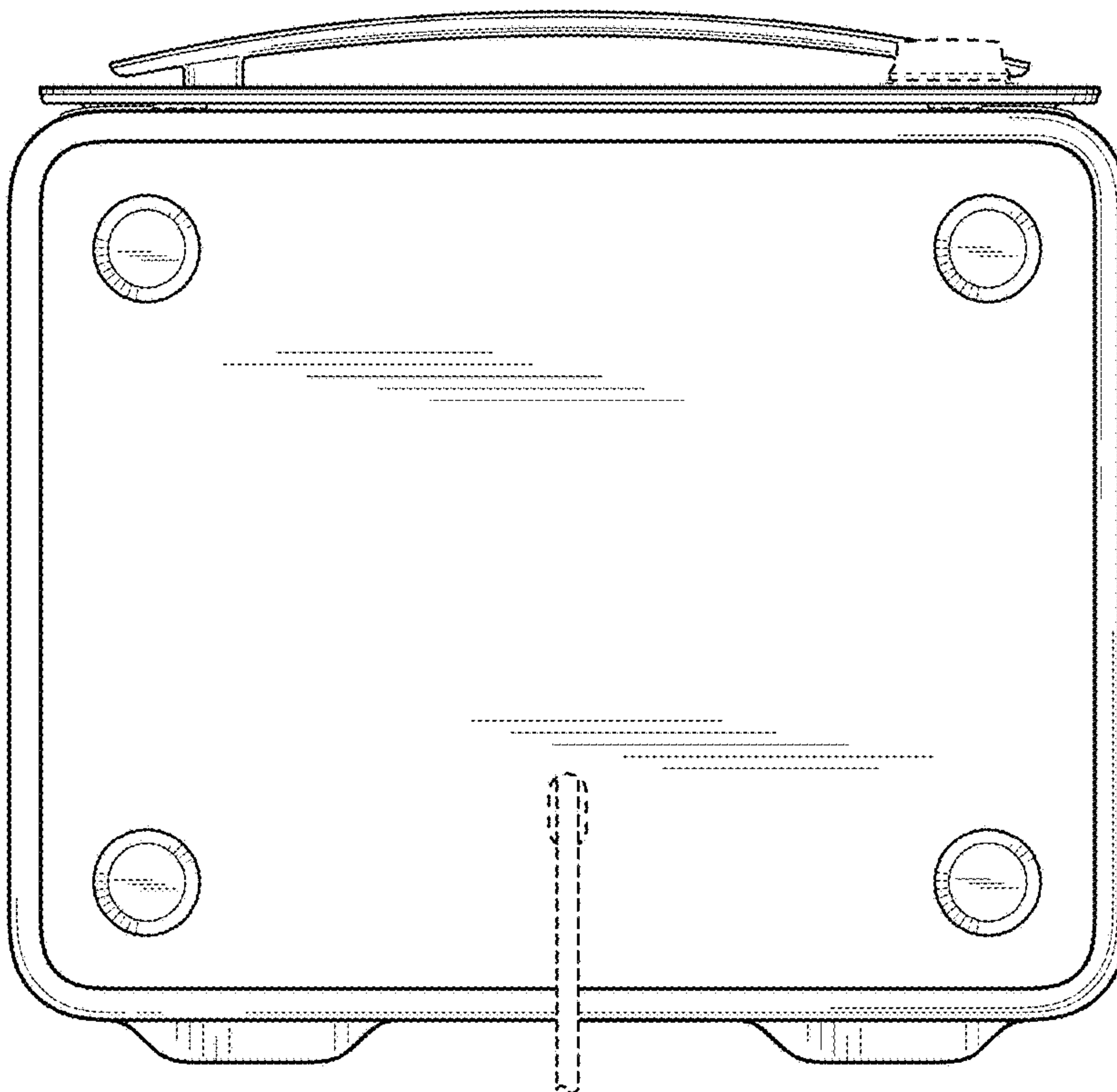


FIG. 12



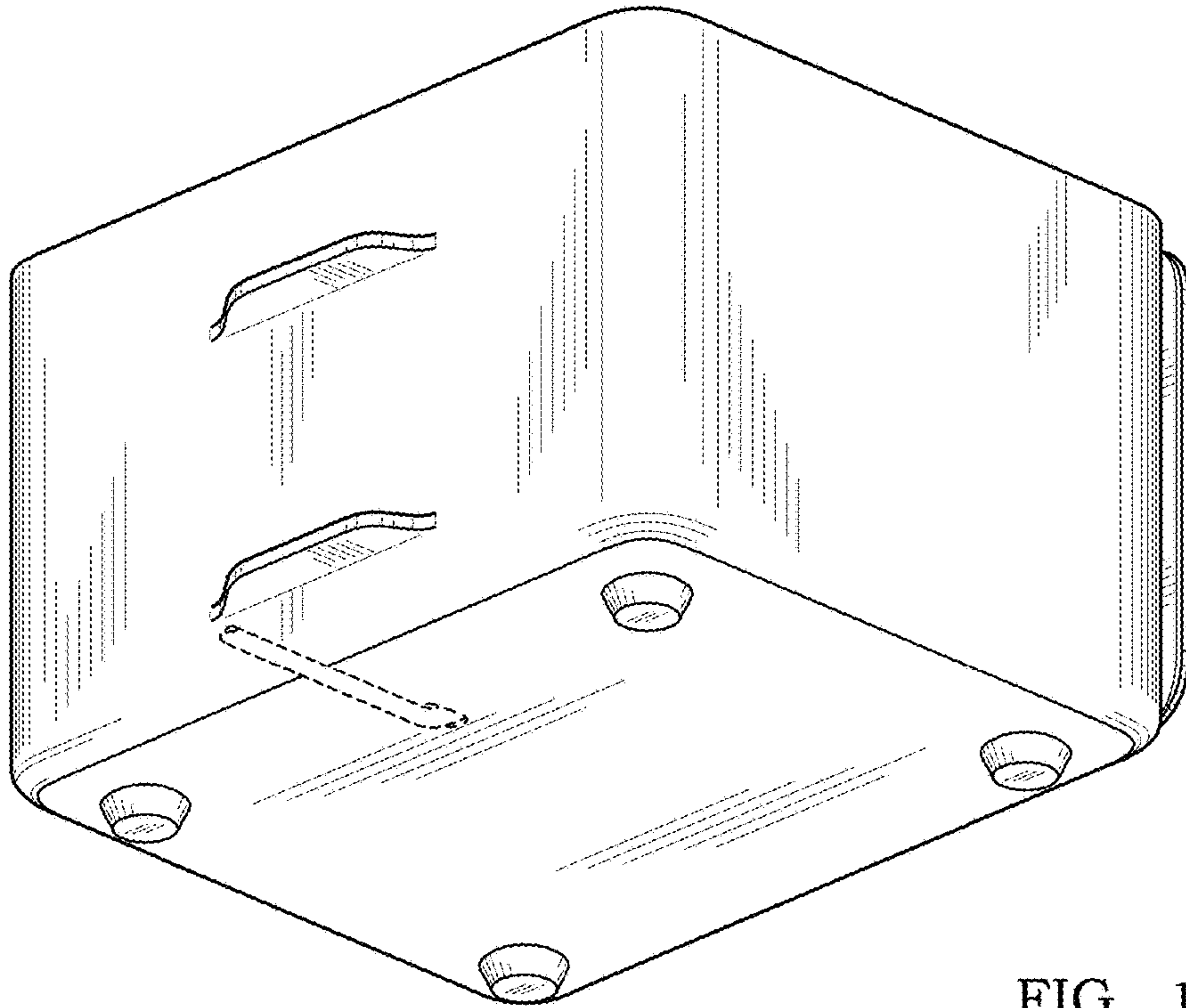


FIG. 13

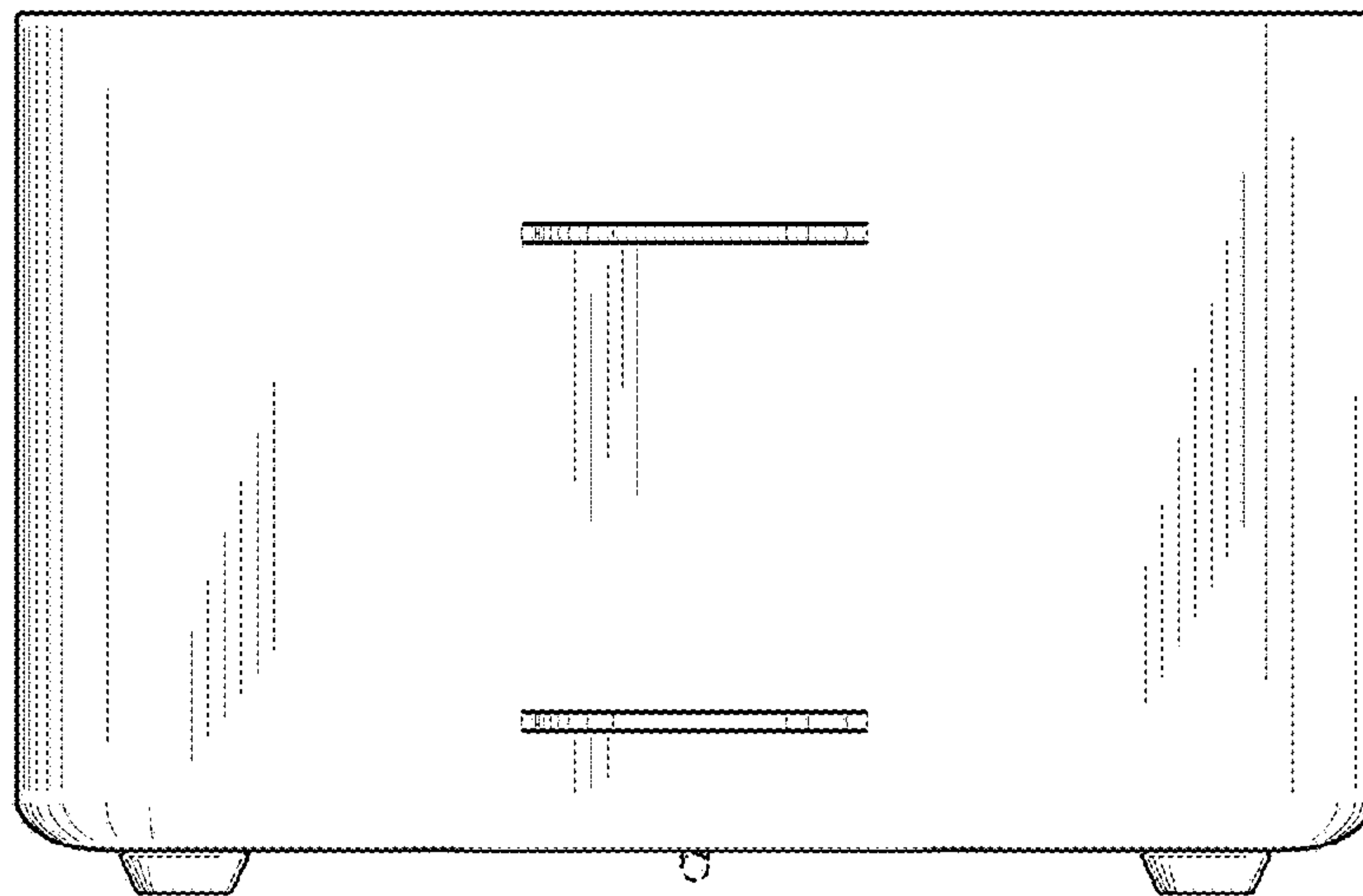


FIG. 14

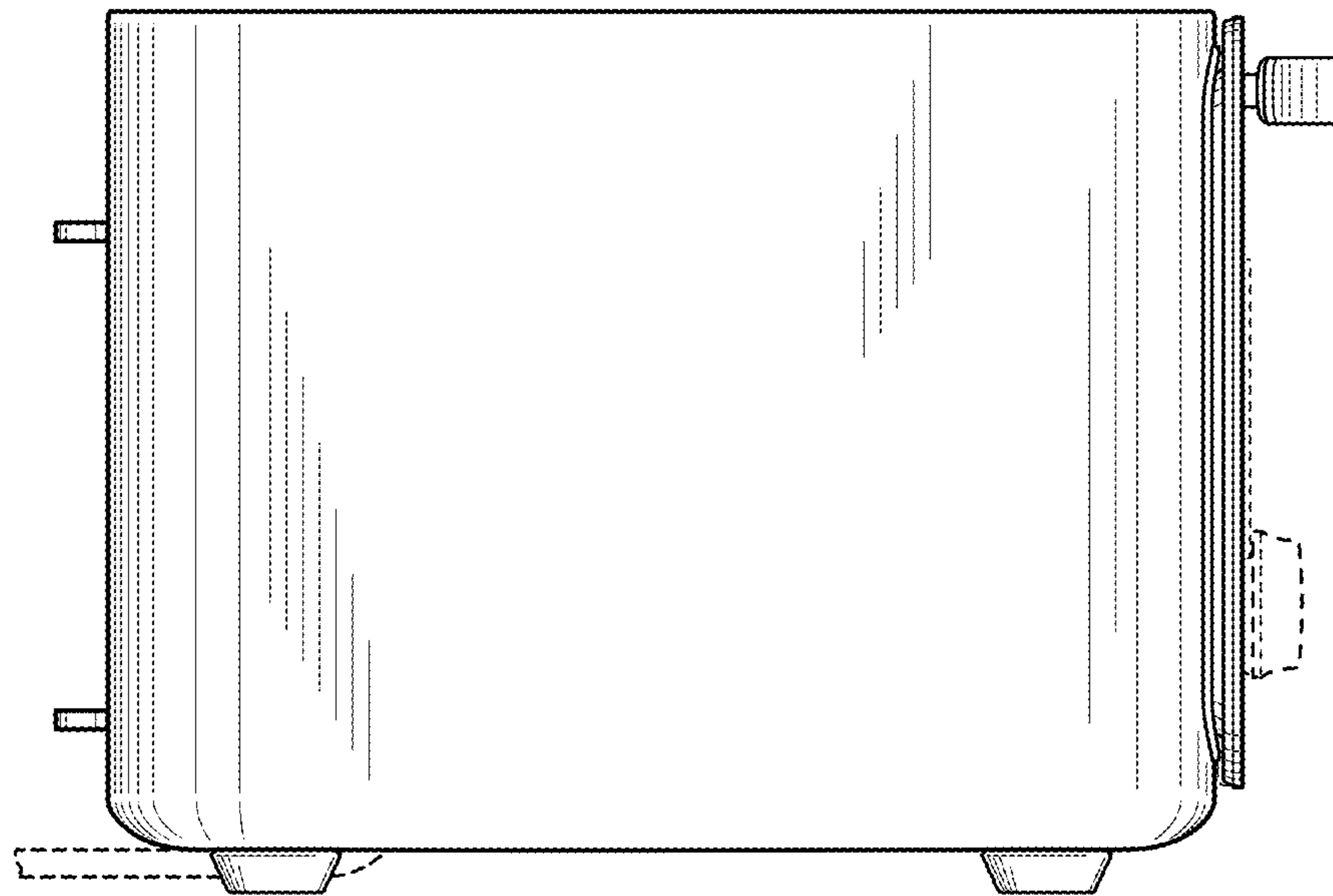


FIG. 15

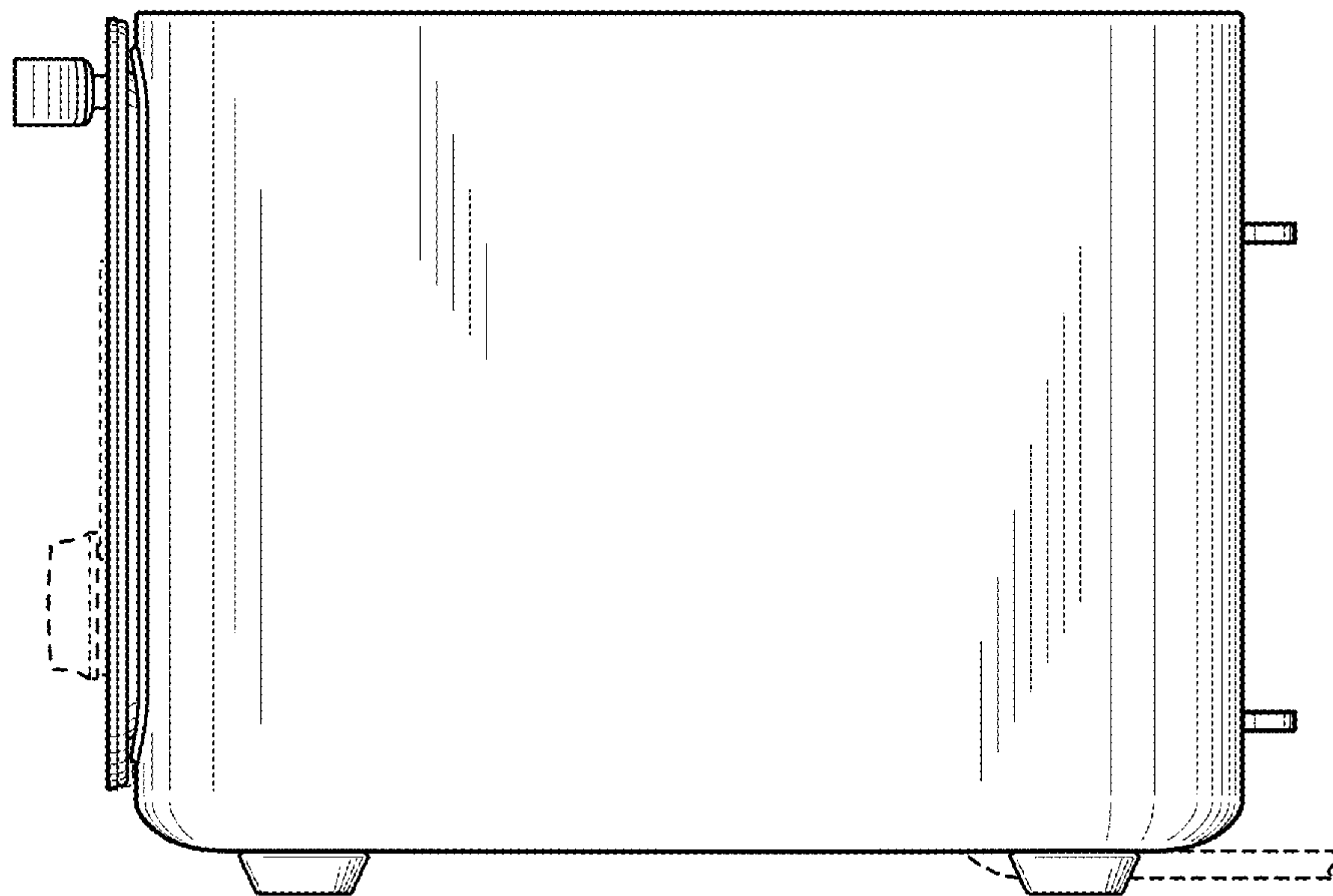


FIG. 16

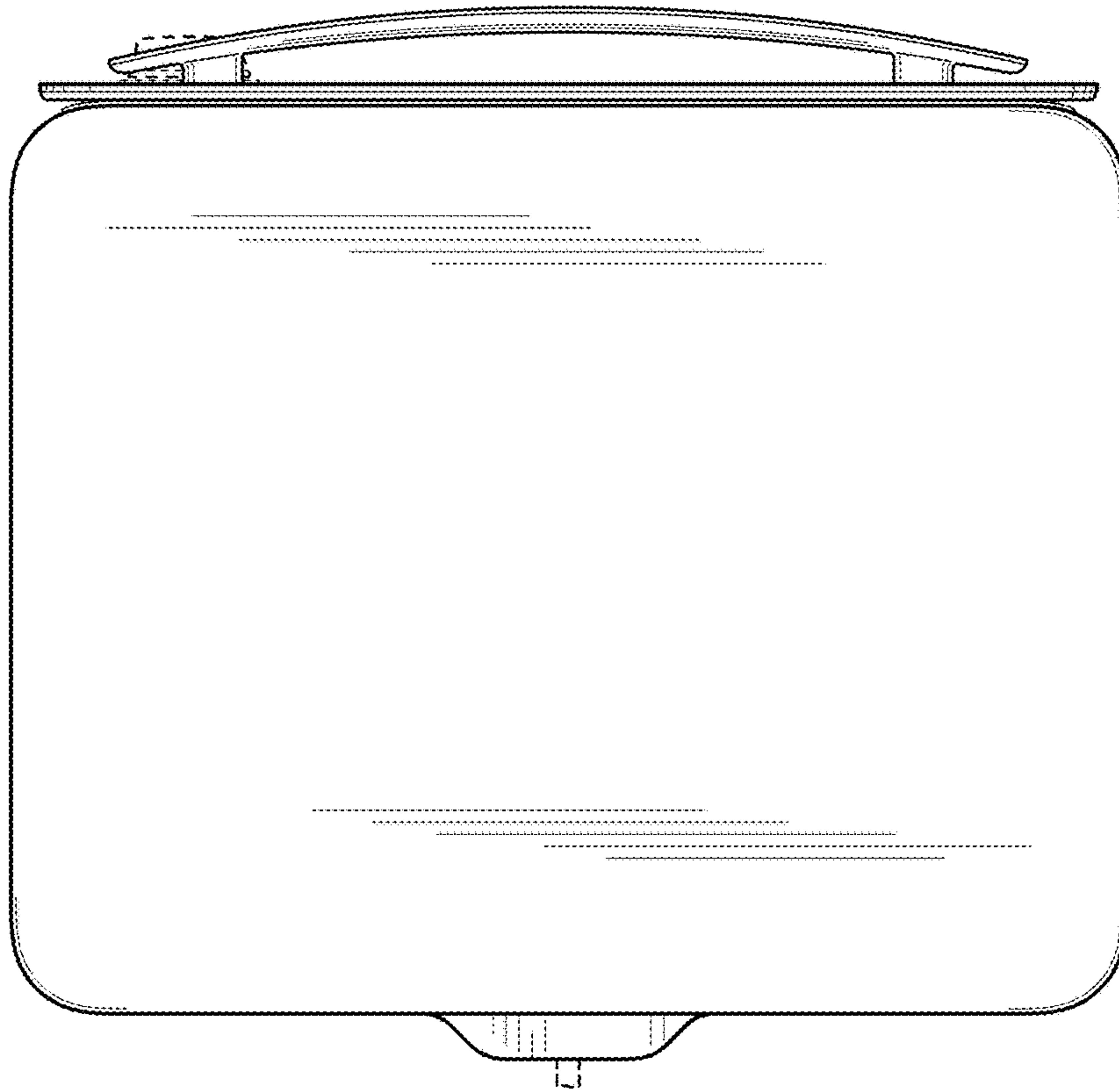


FIG. 17

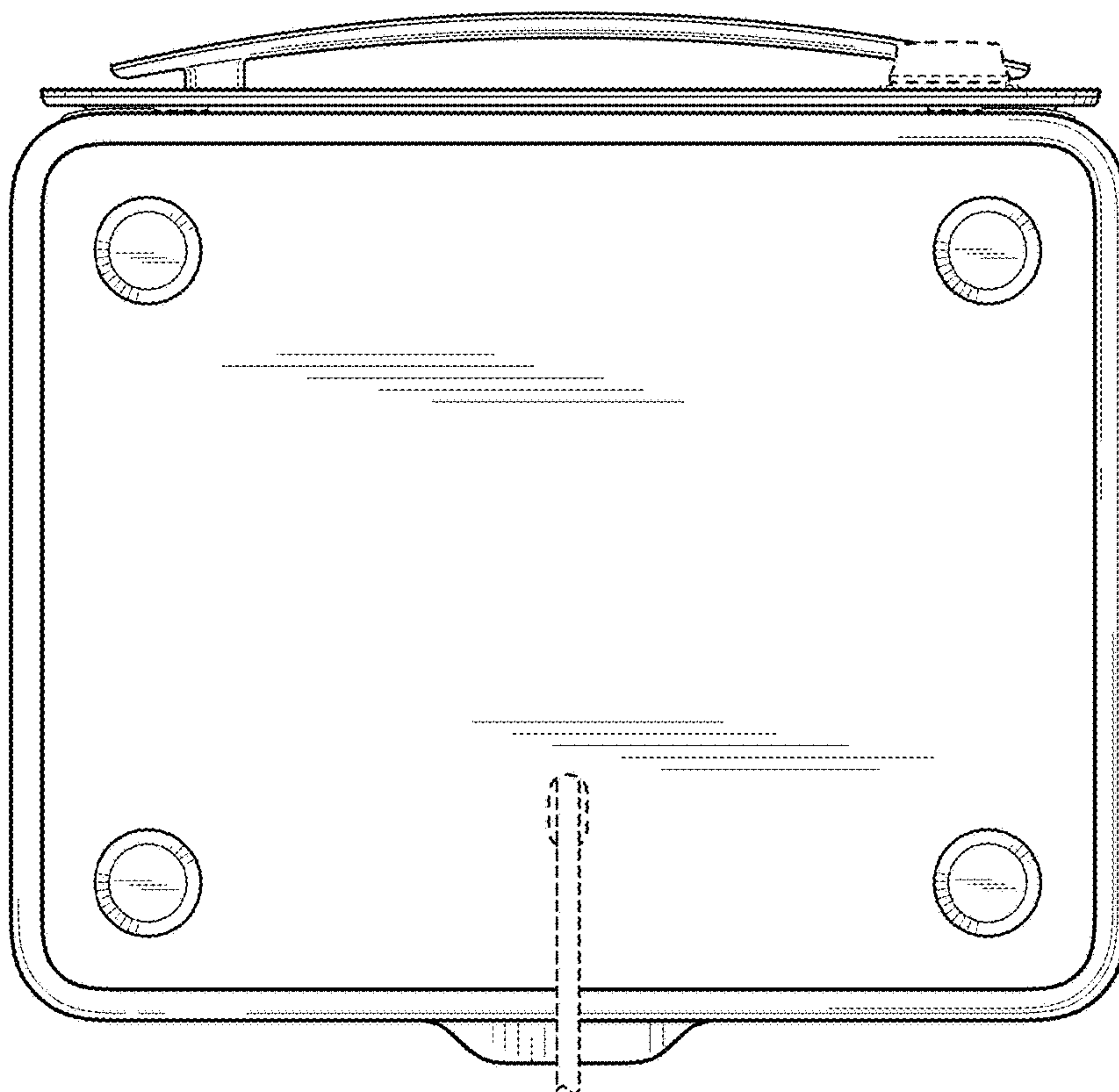


FIG. 18