



US00D777503S

(12) **United States Design Patent**
Kim et al.

(10) **Patent No.:** **US D777,503 S**
(45) **Date of Patent:** **** Jan. 31, 2017**

- (54) **INDUCTION RANGE**
- (71) Applicant: **Samsung Electronics Co., Ltd.**,
Suwon-si (KR)
- (72) Inventors: **Tai-Kyung Kim**, Seoul (KR); **Jae-Jun Kim**, Seoul (KR); **Sung-Hoon Cheung**,
Seongnam-si (KR)
- (73) Assignee: **SAMSUNG ELECTRONICS CO., LTD.** (KR)

D511,925 S *	11/2005	Baldwin	D7/340
D530,971 S *	10/2006	Kim	D7/340
D553,900 S *	10/2007	Grey	D7/346
D557,549 S *	12/2007	Grey	D7/346
D560,957 S *	2/2008	Grey	D7/346
D563,715 S *	3/2008	Grey	D7/346
D568,673 S *	5/2008	Tanaka	D7/346
D609,960 S *	2/2010	Cutino	D7/346
D640,498 S *	6/2011	Sadtler	D7/346
D641,583 S *	7/2011	Sadtler	D7/346
D641,584 S *	7/2011	Sadtler	D7/346
D645,696 S *	9/2011	Sadtler	D7/346

(Continued)

(**) Term: **15 Years**

FOREIGN PATENT DOCUMENTS

- (21) Appl. No.: **29/528,827**
- (22) Filed: **Jun. 1, 2015**
- (51) **LOC (10) Cl.** **07-02**
- (52) **U.S. Cl.**
USPC **D7/346**
- (58) **Field of Classification Search**
USPC D7/323, 328-330, 339-349, 390,
D7/402-409
CPC A21B 2/00; A47J 37/00; A47J 37/06;
A47J 37/0611; A47J 37/08; A47J
37/0807; A47J 37/0814; A47J 37/0835;
A47J 37/0842; A47J 37/085; A47J
37/0864; A47J 3/0878; A47J
37/0885; A47J 37/0892; C03C 17/38;
F24C 7/00; F24C 7/002; F24C
7/046; F24C 7/067; F24C 15/02; F24C
15/04; F24C 15/10; F24C 15/102
See application file for complete search history.

KR	3020140041809	8/2014
KR	300780879	1/2015

Primary Examiner — Ricky Pham

(74) *Attorney, Agent, or Firm* — Cantor Colburn LLP

(57) **CLAIM**

The ornamental design for an induction range, as shown and described.

DESCRIPTION

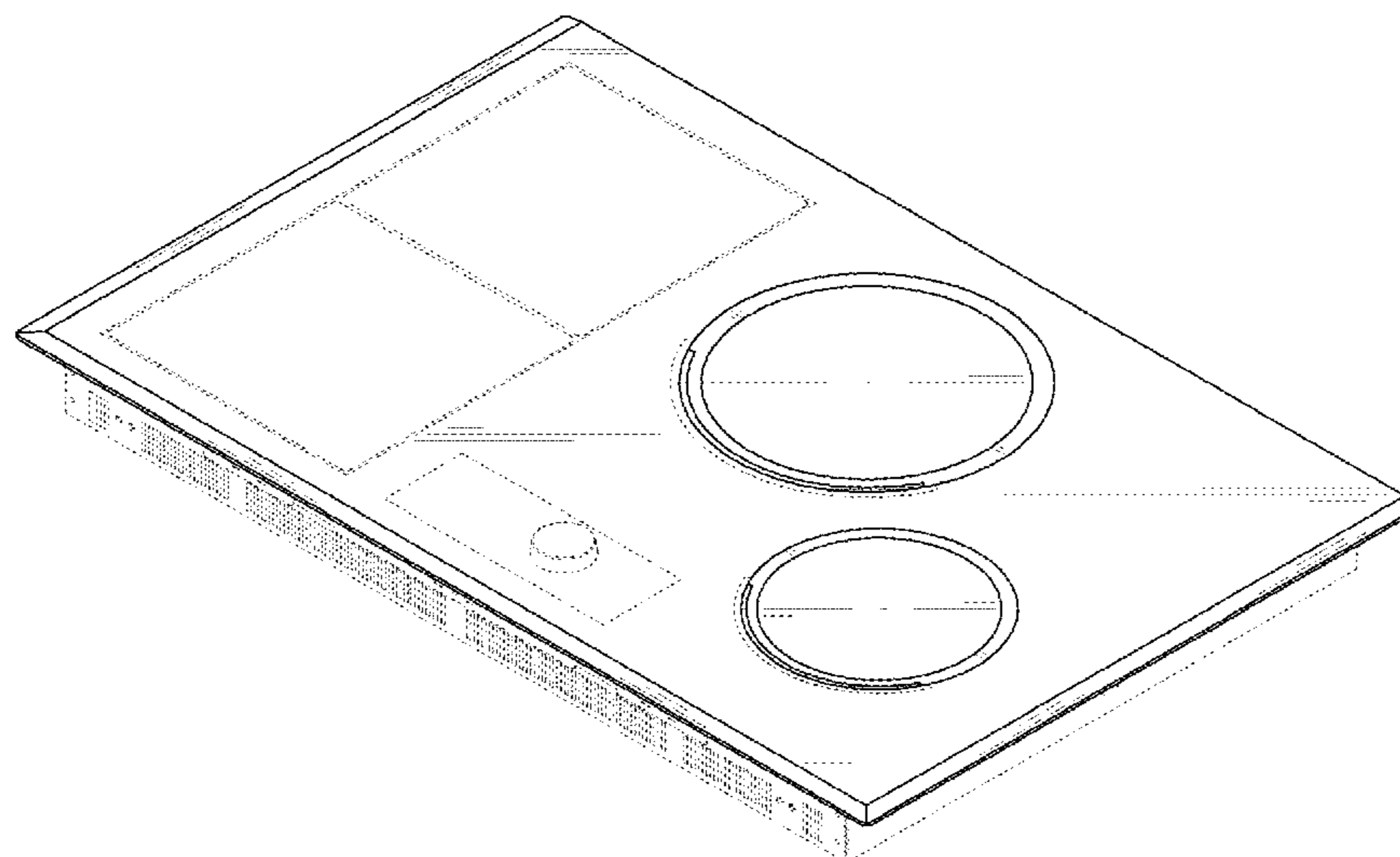
FIG. 1 is a perspective view of an induction range, showing our new design;
 FIG. 2 is a front view thereof;
 FIG. 3 is a rear view thereof;
 FIG. 4 is a side view thereof;
 FIG. 5 is another side view thereof;
 FIG. 6 is a top view thereof;
 FIG. 7 is a bottom view thereof; and,
 FIG. 8 is an enlarged view of Section 8, as shown in FIG. 6.
 The broken lines in the figures are for environmental purposes only and form no part of the claimed design.
 The dash dot line shown in FIG. 6 forms no part of the claimed design, but is instead intended to identify the area of the enlarged view shown FIG. 8.

(56) **References Cited**

U.S. PATENT DOCUMENTS

D386,945 S *	12/1997	Mendoza	D7/402
D506,637 S *	6/2005	Tanaka	D7/346
D508,630 S *	8/2005	Grutzke	D7/346
D508,816 S *	8/2005	Tanaka	D7/346

1 Claim, 8 Drawing Sheets



(56)

References Cited

U.S. PATENT DOCUMENTS

D671,789	S	*	12/2012	Goss	D7/346
D694,569	S	*	12/2013	Sosso	D7/346
D696,893	S	*	1/2014	Meda	D7/346
D696,894	S	*	1/2014	Meda	D7/346
D705,009	S	*	5/2014	Kwack	D7/346
D715,592	S	*	10/2014	Yoon	D7/407
D733,484	S	*	7/2015	Roberson	D7/346
D754,465	S	*	4/2016	Kim	D7/346
D764,219	S	*	8/2016	Kim	D7/339
2008/0190409	A1	*	8/2008	Demol	C03C 17/38 126/211

* cited by examiner

FIG. 1

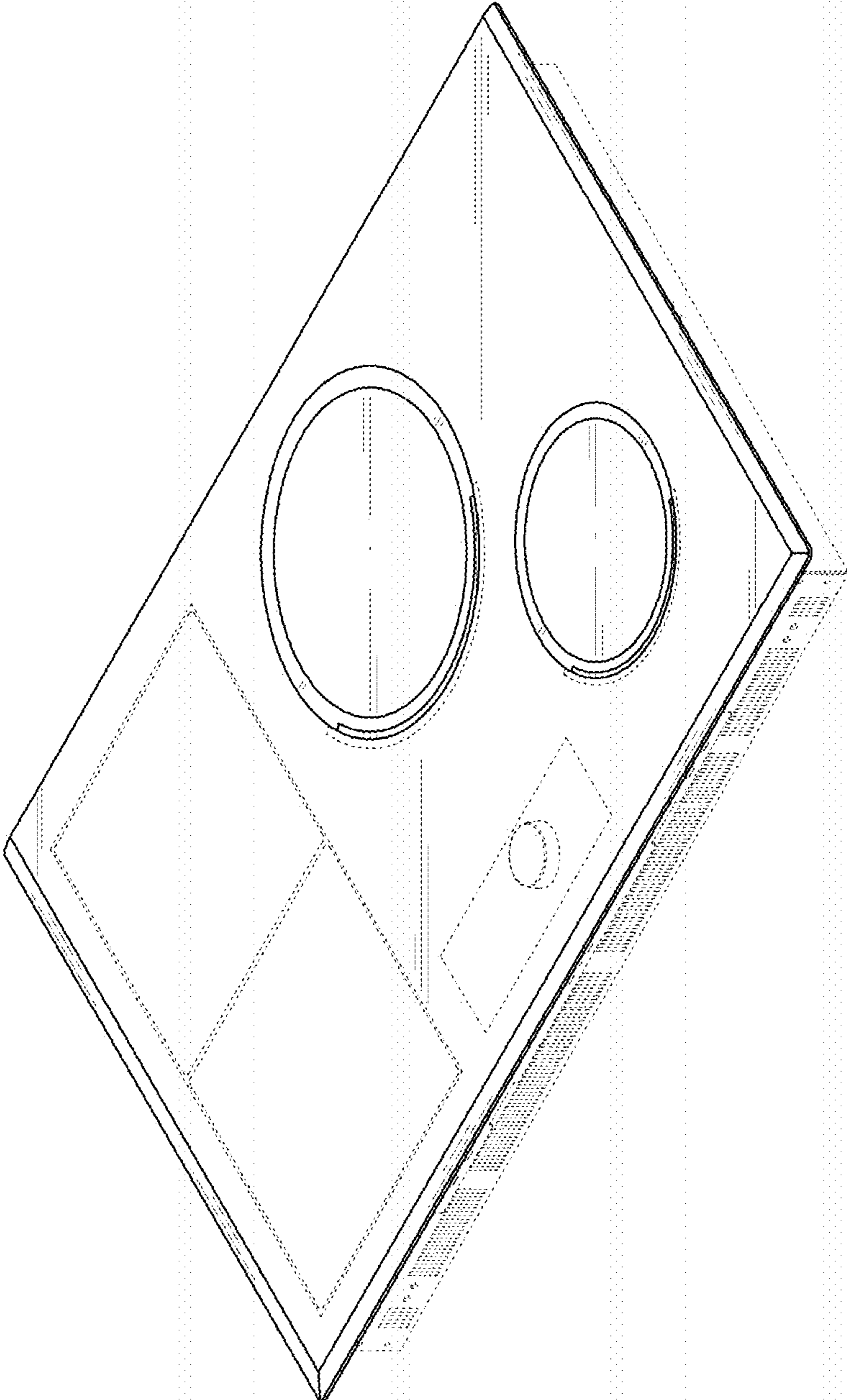


FIG. 2

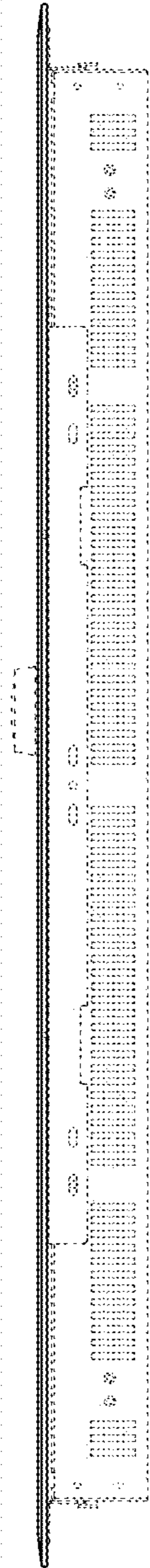


FIG. 3

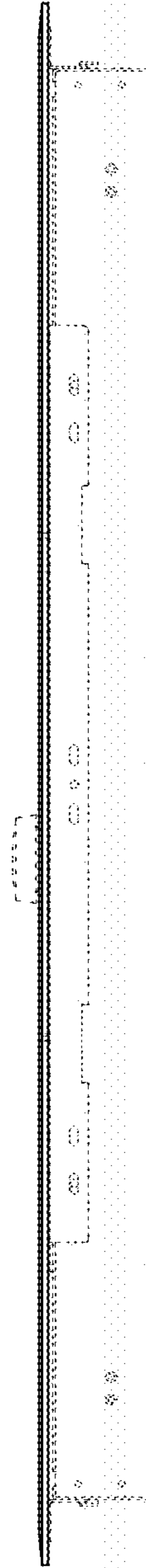


FIG. 4

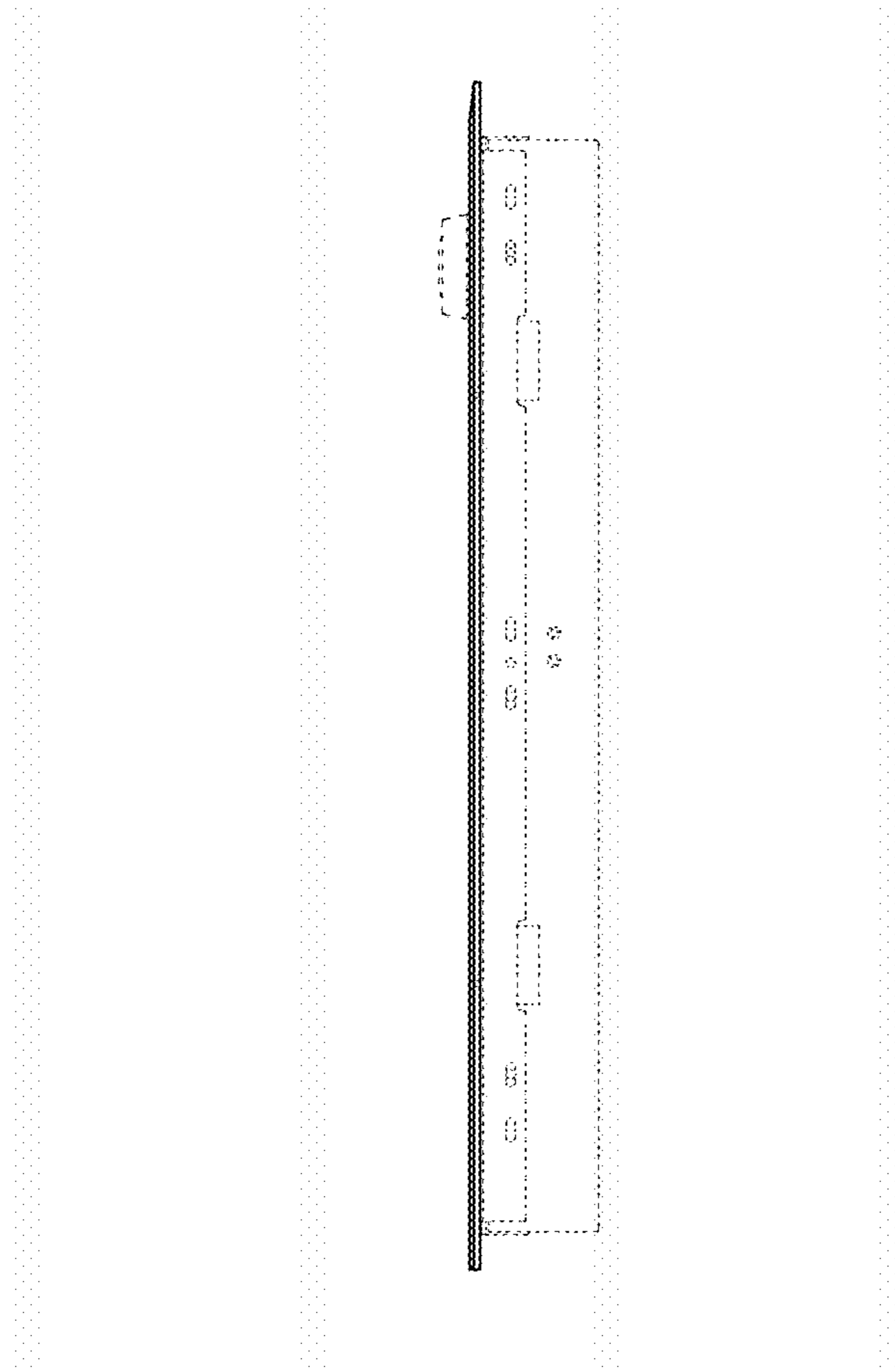


FIG. 5

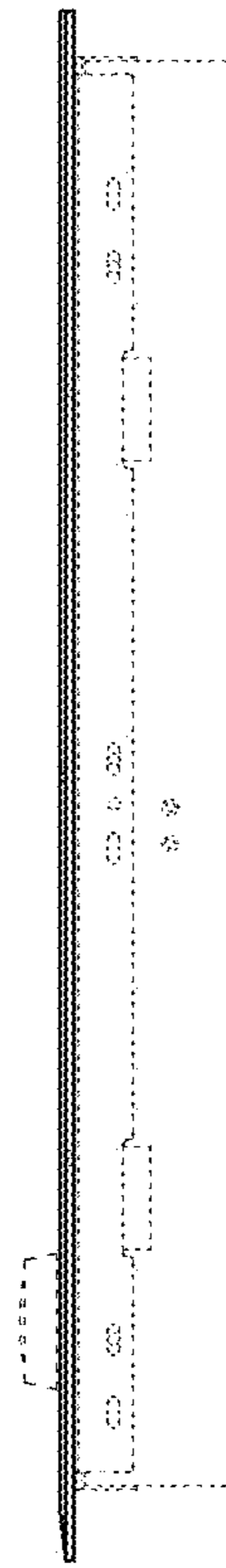


FIG. 6

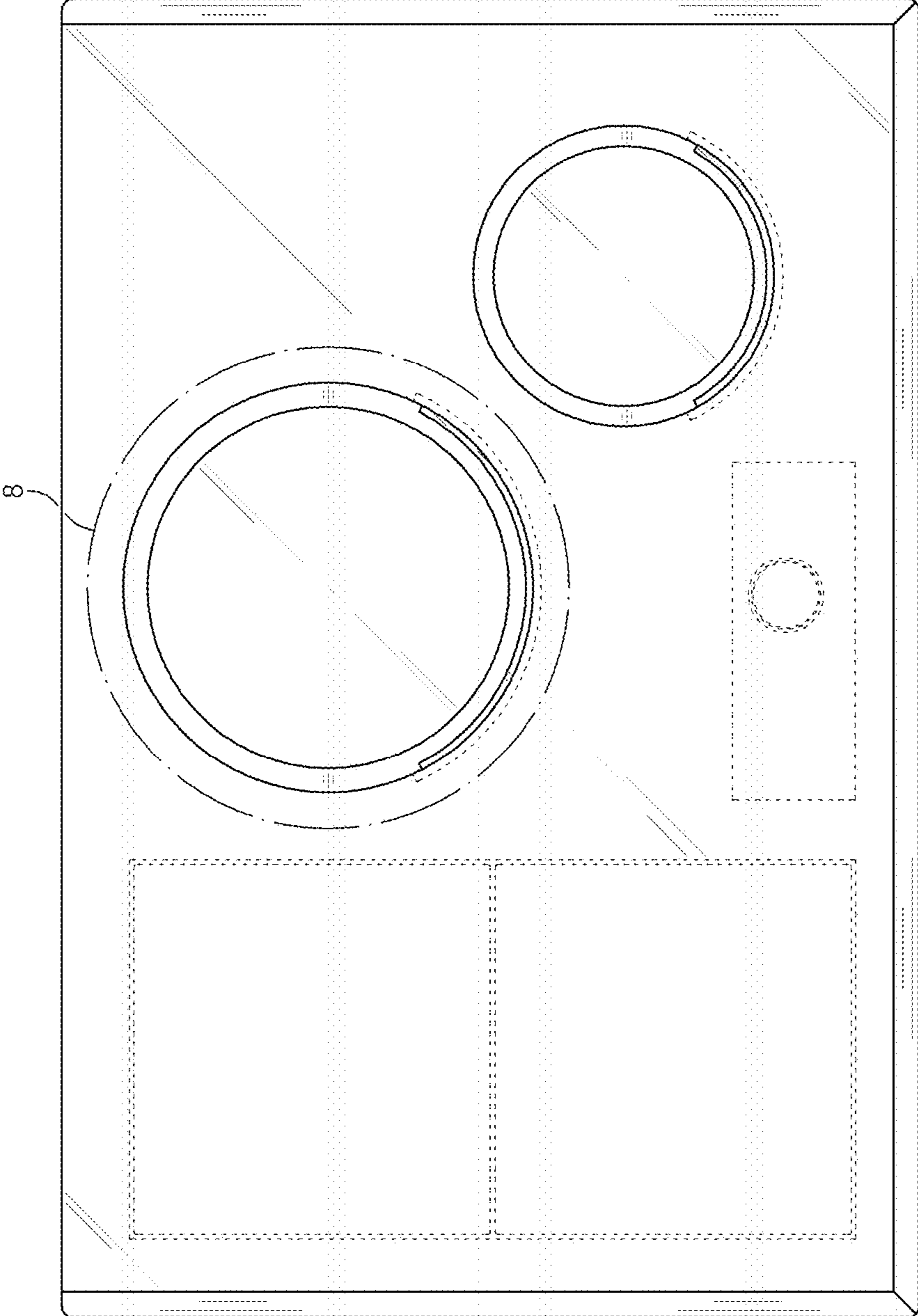


FIG. 7

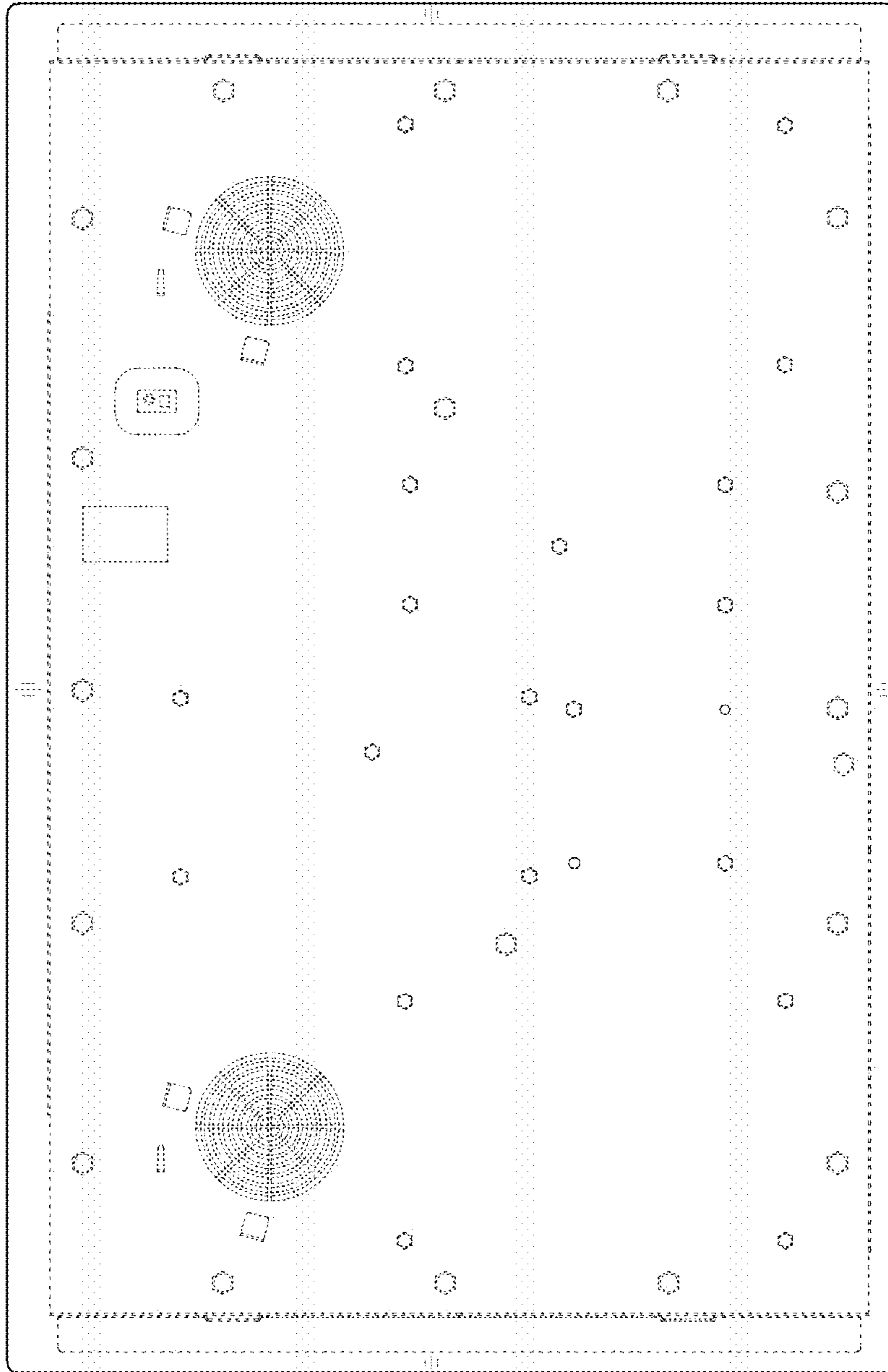


FIG. 8

