



US00D777500S

(12) **United States Design Patent**
Lee et al.

(10) **Patent No.:** **US D777,500 S**

(45) **Date of Patent:** **** Jan. 31, 2017**

(54) **ELECTRIC KETTLE**

(71) Applicant: **Helen of Troy Limited**, Belleville, St. Michael (BB)

(72) Inventors: **Alexander T. F. Lee**, New York, NY (US); **Davin Stowell**, New York, NY (US); **Joern Vicari**, Brooklyn, NY (US); **Anthony Torris**, Montclair, NJ (US)

(73) Assignee: **Helen of Troy Limited**, Belleville, St. Michael (BB)

(**) Term: **15 Years**

(21) Appl. No.: **29/529,751**

(22) Filed: **Jun. 10, 2015**

(51) **LOC (10) Cl.** **07-01**

(52) **U.S. Cl.**
USPC **D7/317; D7/319; D7/321**

(58) **Field of Classification Search**
USPC **D7/316-319.312, 312, 598, 600, 322, D7/321; 222/188, 465.1, 713; D23/209**

CPC **A47J 41/0027; A47J 31/50; A47J 45/0077; A47J 31/053; A47G 19/22**

See application file for complete search history.

(56) **References Cited**

U.S. PATENT DOCUMENTS

3,282,196 A * 11/1966 Manship A47J 31/053
215/395
D217,734 S * 6/1970 Abramson D7/317

D285,768 S * 9/1986 Zimmermann D7/317
D399,090 S * 10/1998 Green D7/318
D461,087 S * 8/2002 Hatsumoto D7/317
D553,898 S * 10/2007 De' Longhi D7/312
D554,425 S * 11/2007 Schwamkrug D7/317
D633,324 S * 3/2011 Mondragon D7/317
D726,485 S * 4/2015 Mullen D7/317
D726,486 S * 4/2015 Averty D7/312
D747,130 S * 1/2016 Kunz D7/317
D752,375 S * 3/2016 Maitland D7/317

* cited by examiner

Primary Examiner — Marianne Pandozzi

(74) *Attorney, Agent, or Firm* — Rankin, Hill & Clark LLP

(57) **CLAIM**

The ornamental design for an electric kettle, as shown and described.

DESCRIPTION

FIG. 1 is a perspective view of an electric kettle;
FIG. 2 is a front elevation view thereof;
FIG. 3 is a right side elevation view thereof;
FIG. 4 is a rear elevation view thereof;
FIG. 5 is a top plan view thereof;
FIG. 6 is a left side elevation view thereof; and,
FIG. 7 is a bottom plan view thereof.

The broken lines in the drawing depict portions of the electric kettle that form no part of the claimed design.

1 Claim, 7 Drawing Sheets

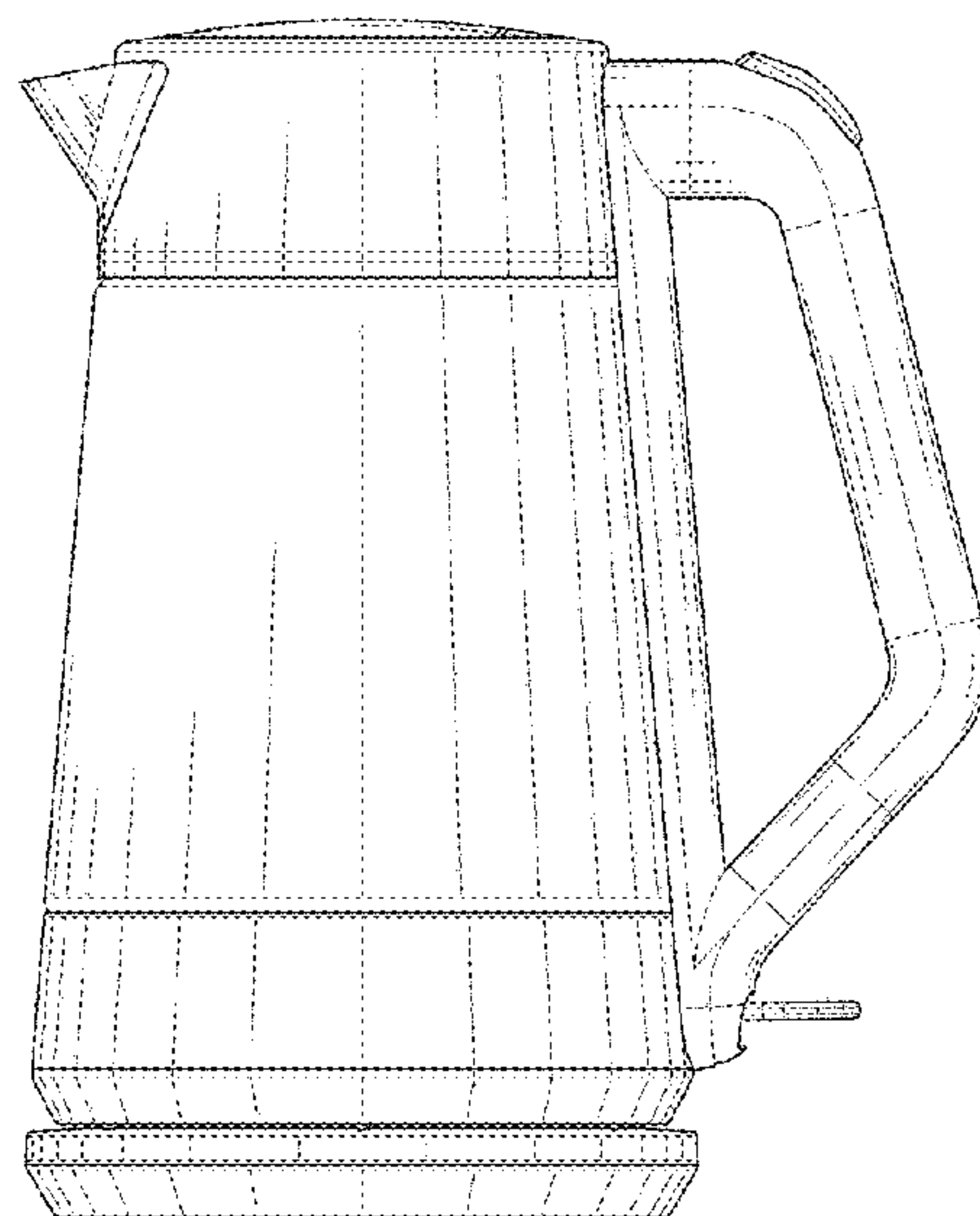
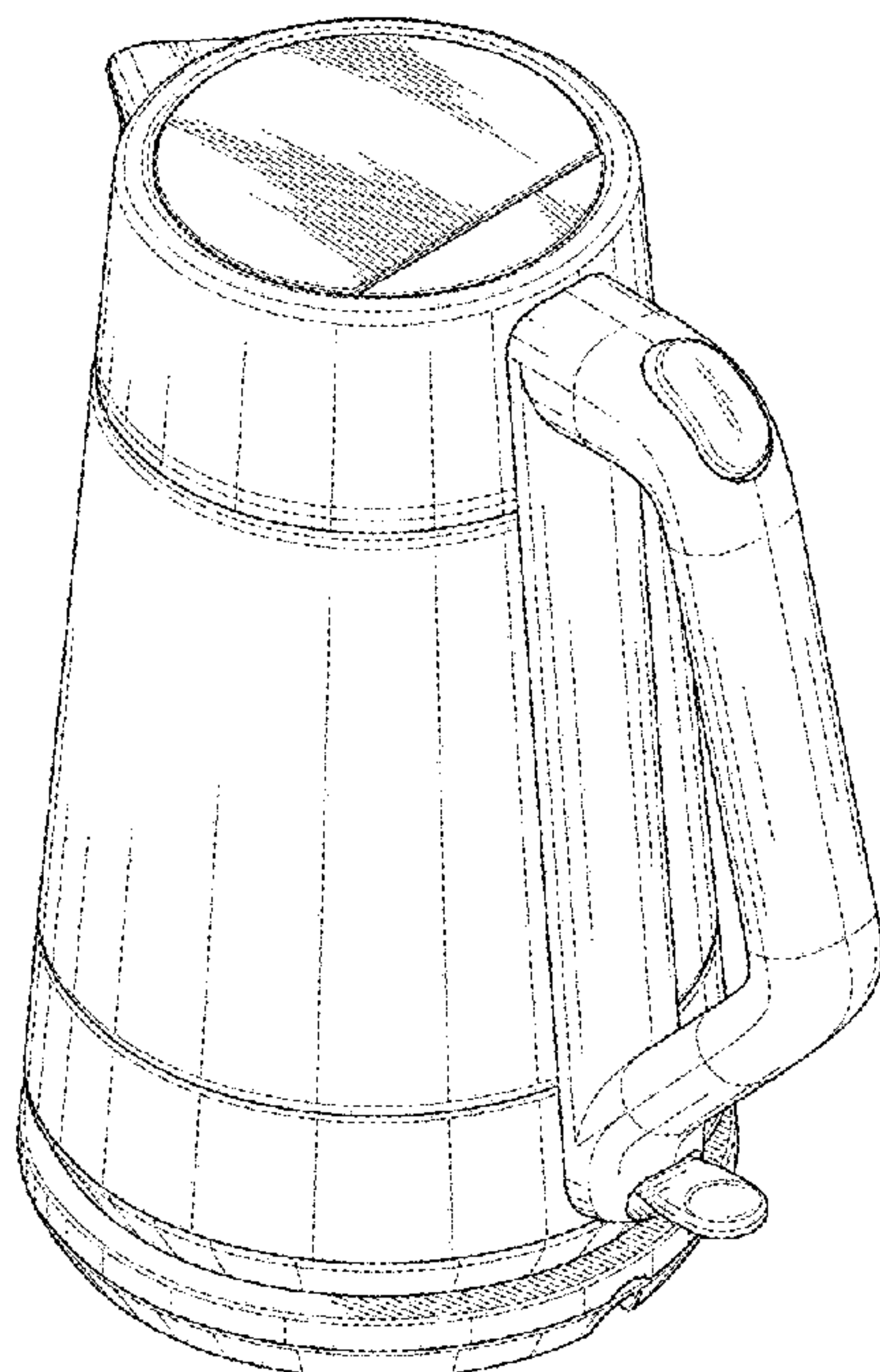




FIG. 1

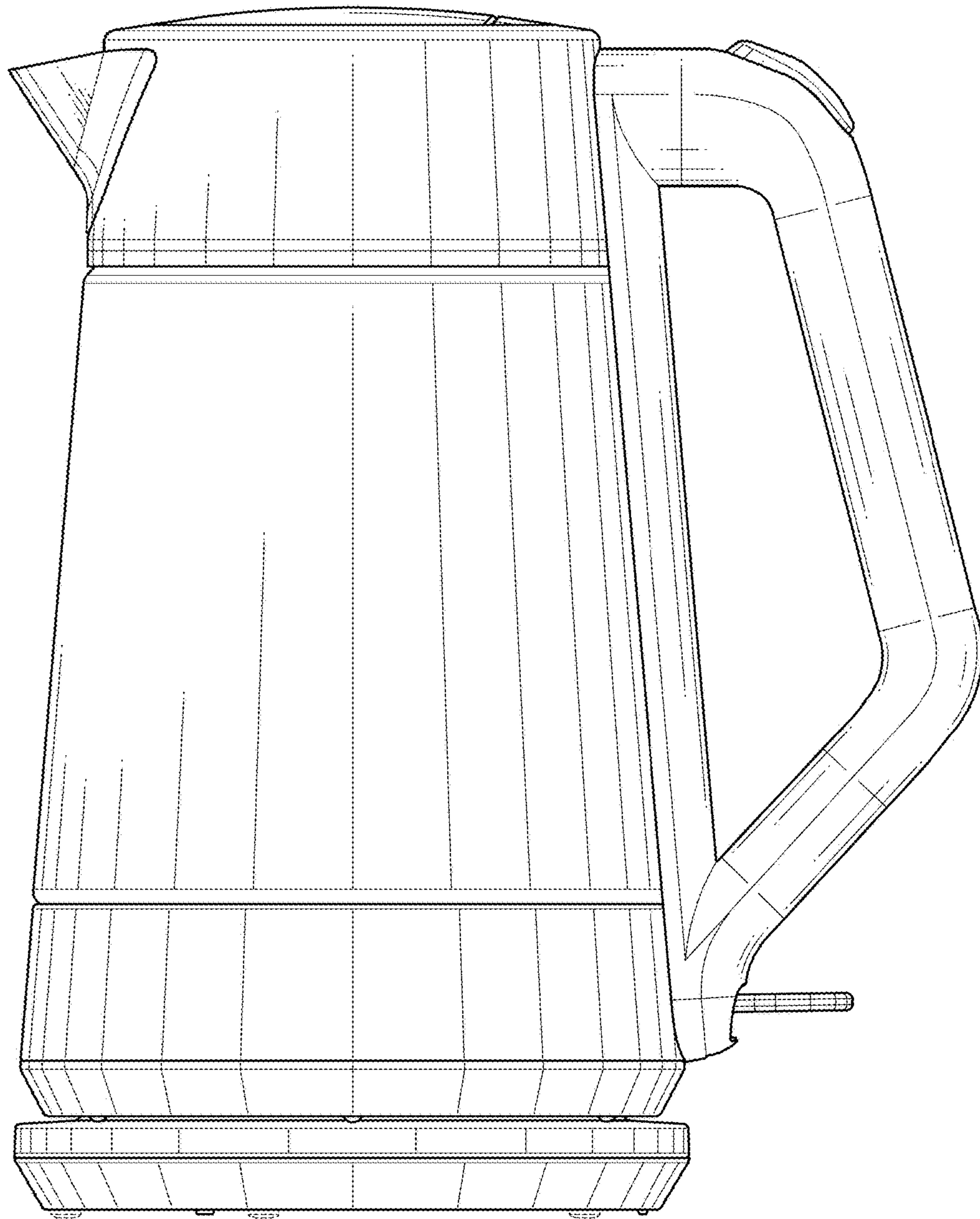


FIG. 2

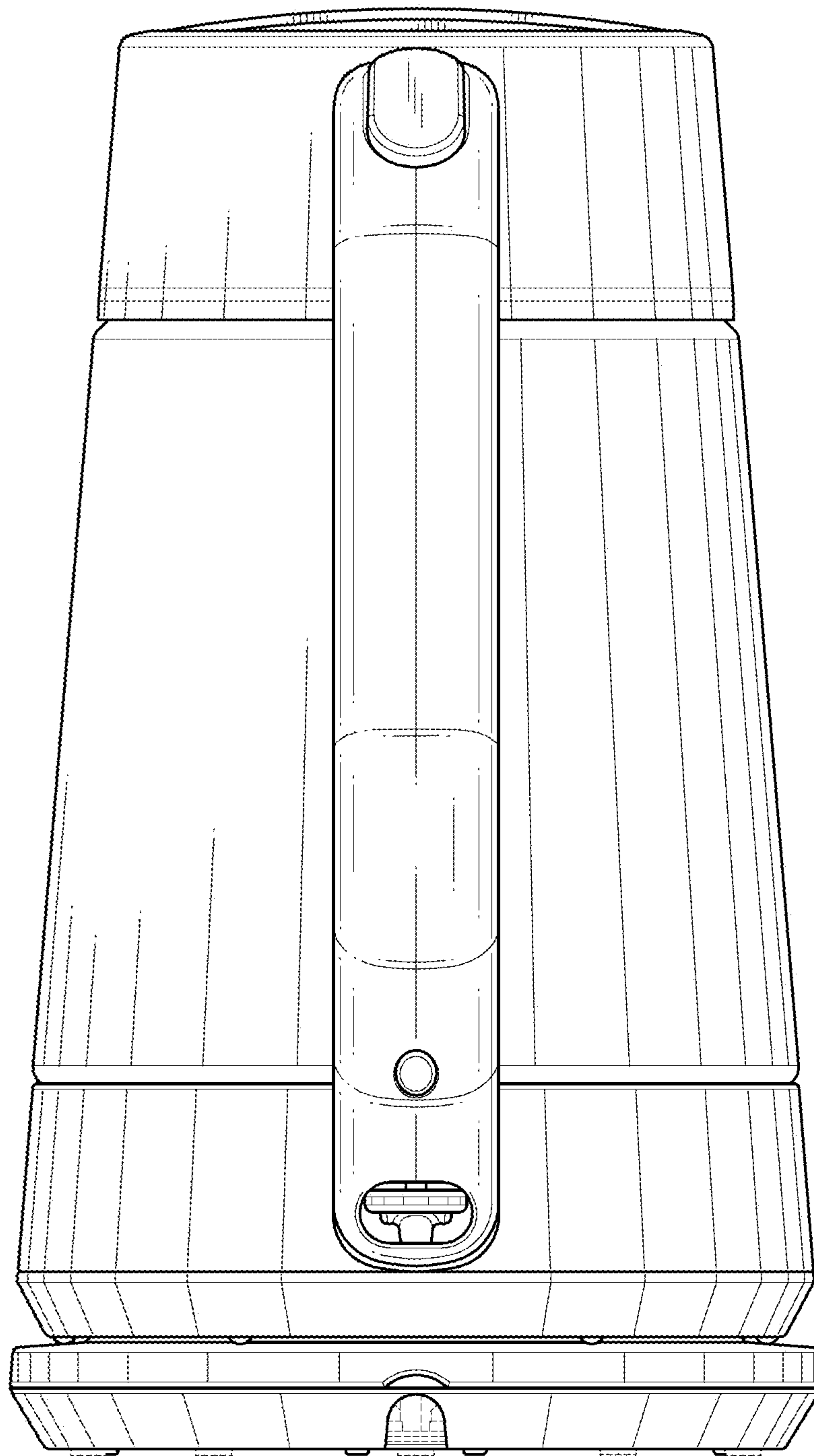


FIG. 3

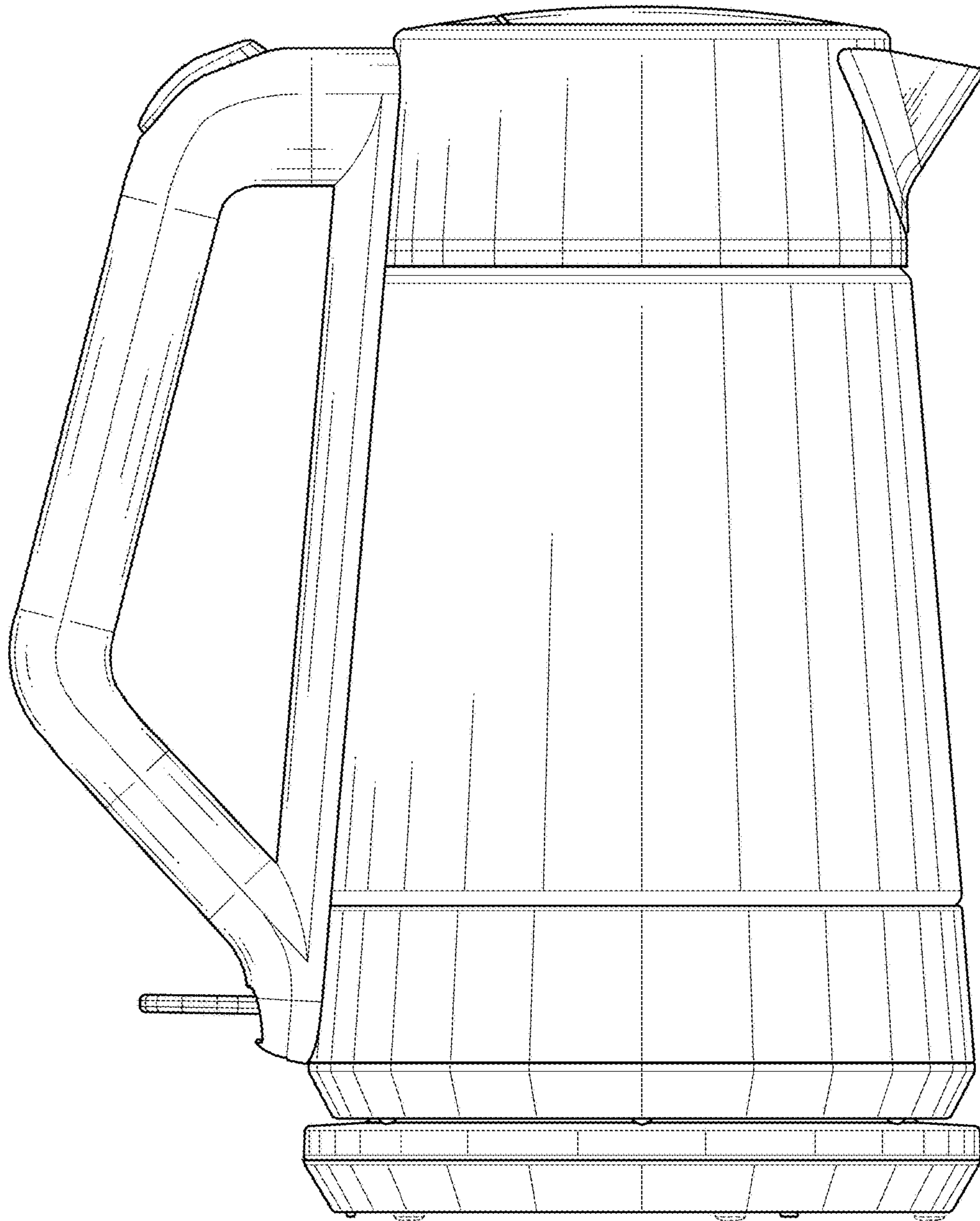


FIG. 4

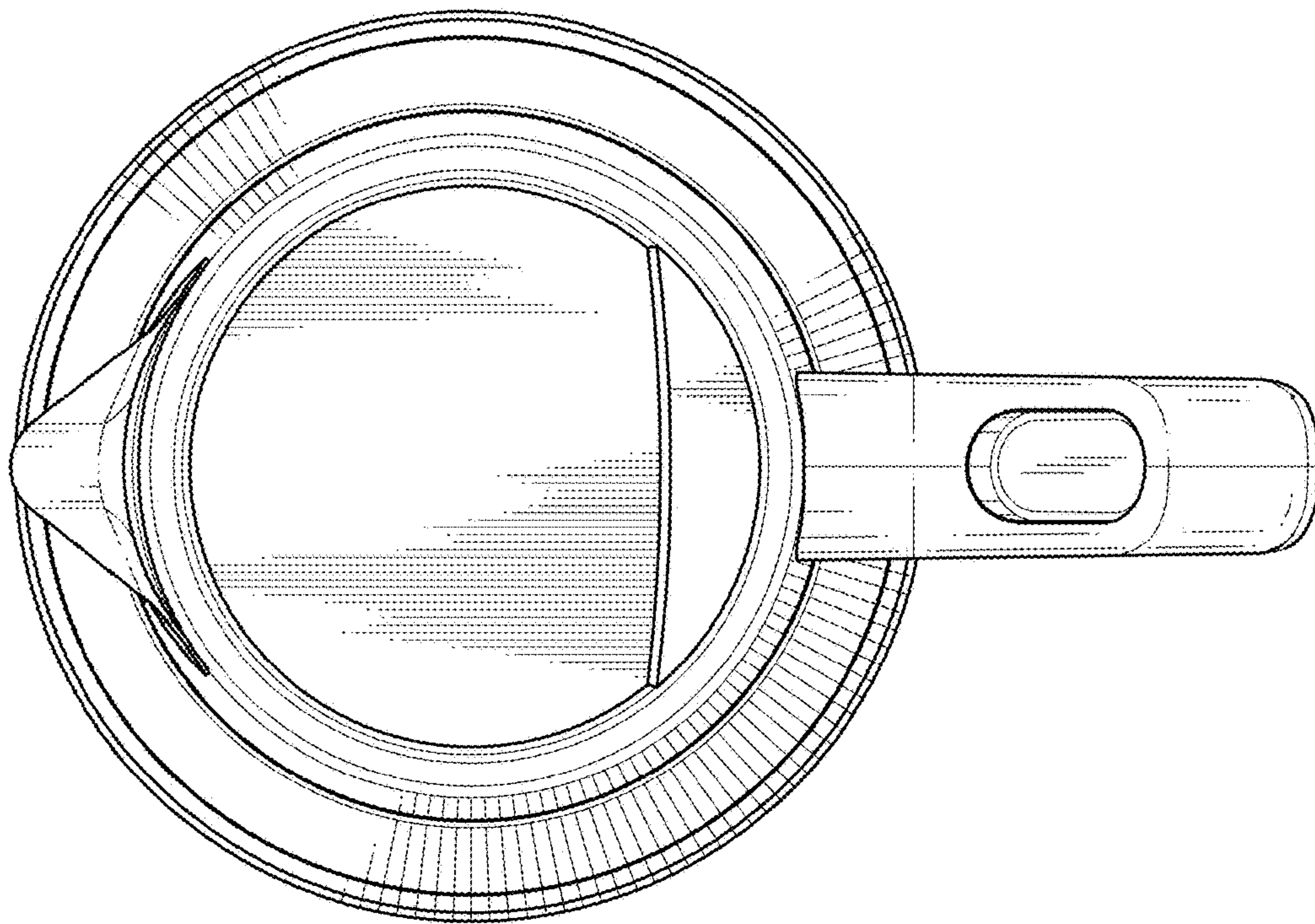


FIG. 5

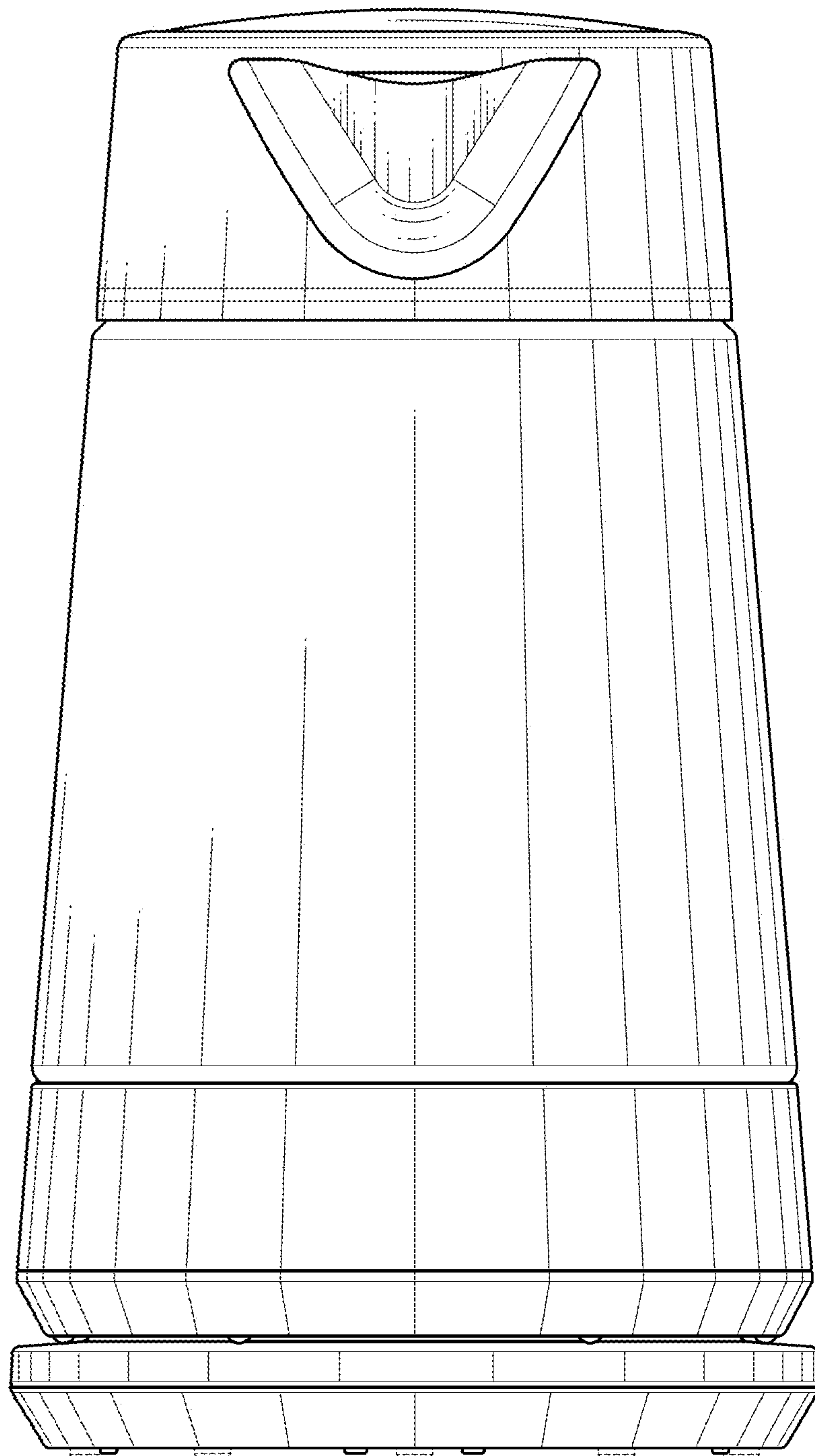


FIG. 6

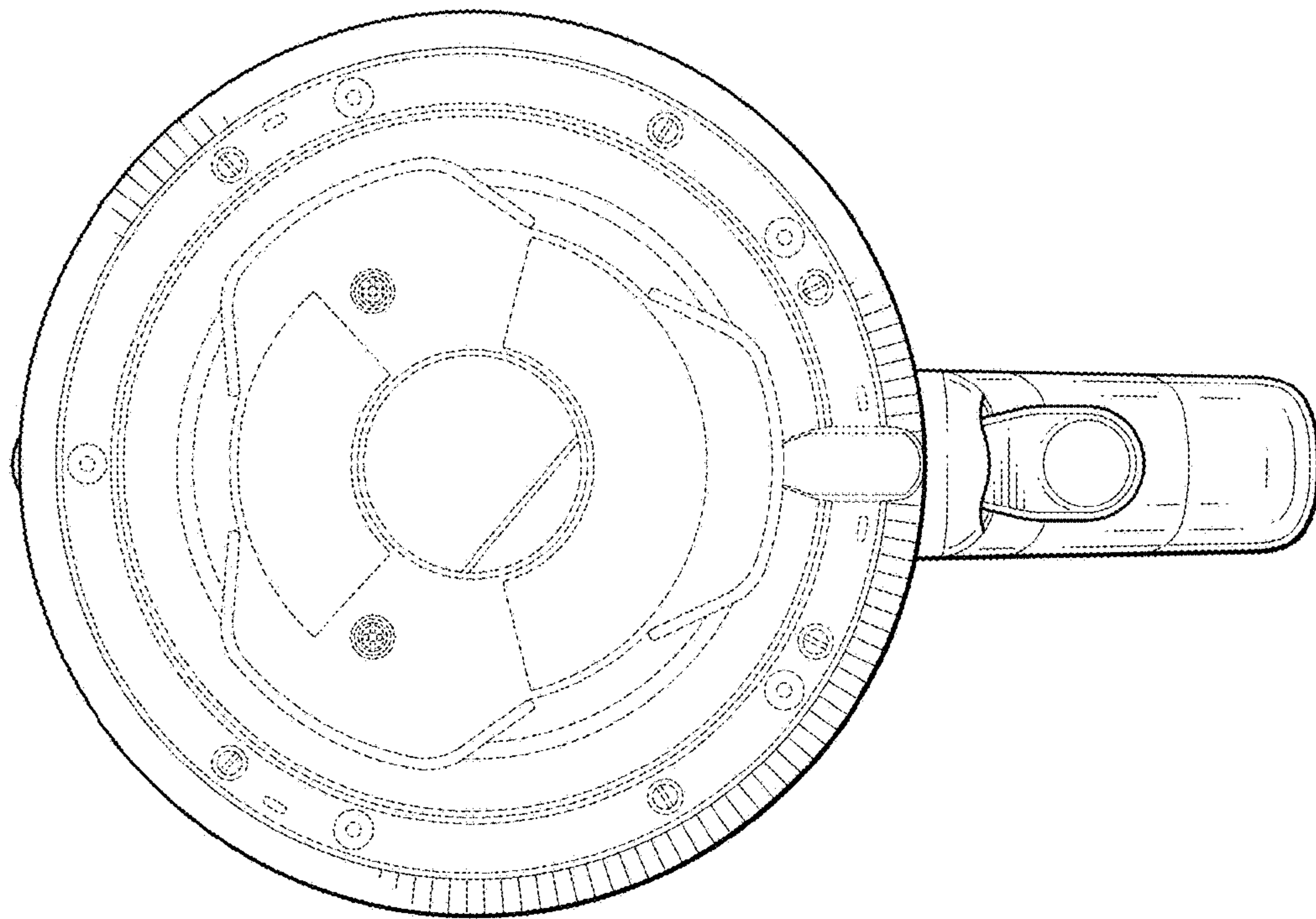


FIG. 7