



US00D777499S

(12) **United States Design Patent** (10) **Patent No.:** **US D777,499 S**
McConnell et al. (45) **Date of Patent:** **** Jan. 31, 2017**

- (54) **COFFEE MAKER**
- (71) Applicant: **Whirlpool Corporation**, Benton Harbor, MI (US)
- (72) Inventors: **John W. McConnell**, St. Joseph, MI (US); **Daniel Rellis**, St. Joseph, MI (US); **Joel Graham Van Faasen**, Holland, MI (US)
- (73) Assignee: **Whirlpool Corporation**, Benton Harbor, MI (US)
- (**) Term: **14 Years**
- (21) Appl. No.: **29/519,547**
- (22) Filed: **Mar. 5, 2015**
- (51) **LOC (10) Cl.** **07-01**
- (52) **U.S. Cl.**
 USPC **D7/309; D7/311**
- (58) **Field of Classification Search**
 USPC D7/300, 309-311, 306-308, 305, 355, D7/362, 365, 367, 397, 399; 222/146.6, 222/185.1, 135; 99/295, 273, 304, 288, 99/279, 307, 283; D20/4
 CPC A47J 31/46; A47J 31/407; A47J 31/50; A47J 31/18; A47J 31/00; A47J 27/04; A47J 31/0573; A47J 31/52
 See application file for complete search history.

D465,120 S *	11/2002	Bouhuys	D7/309
D496,214 S *	9/2004	Ledingham	D7/309
D502,042 S *	2/2005	Lin	D7/309
D582,714 S *	12/2008	Hensel	D7/309
D714,088 S *	9/2014	Cahen	D7/309
D720,567 S *	1/2015	Cauwood	D7/306
D721,911 S *	2/2015	Cauwood	D7/306
D733,480 S *	7/2015	Shao	D7/306
D738,152 S *	9/2015	Grasselli	D7/309
D739,169 S *	9/2015	Shao	D7/309
D753,428 S *	4/2016	Shao	D7/306
2008/0206418 A1	8/2008	Ranzoni		
2009/0013876 A1	1/2009	Ranzoni		

FOREIGN PATENT DOCUMENTS

AU	2003300766	A1	7/2005
CN	101322617	A	12/2008
WO	2005063090	A1	7/2005
WO	2008012838	A1	1/2008
WO	2008087673	A1	7/2008

* cited by examiner

Primary Examiner — Marianne Pandozzi

(57) **CLAIM**

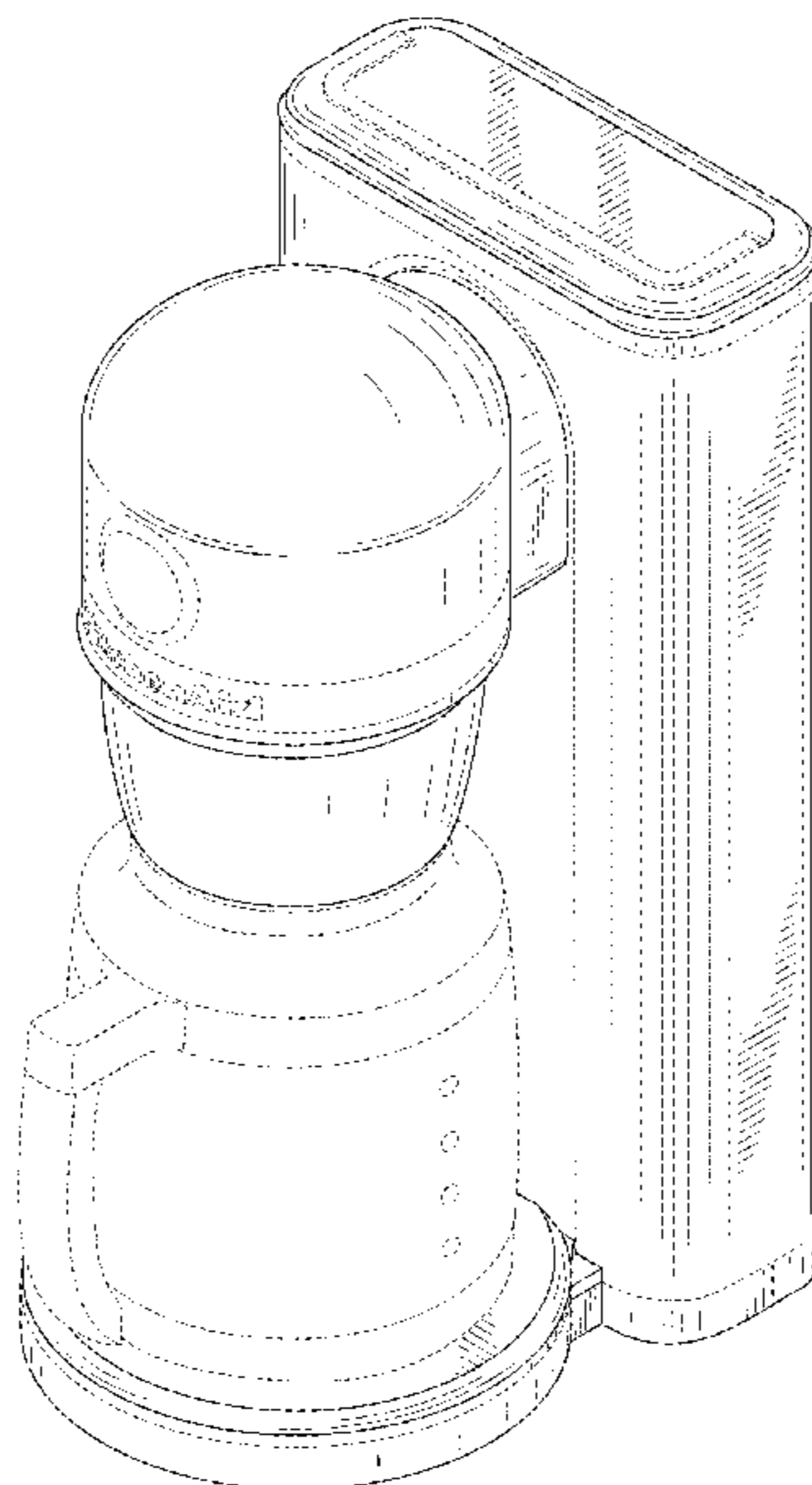
The ornamental design for a coffee maker, as shown and described.

DESCRIPTION

FIG. 1 is a front perspective view of a coffee maker showing our new design;
 FIG. 2 is a front view thereof;
 FIG. 3 is a back view thereof;
 FIG. 4 is a right side view thereof;
 FIG. 5 is a left side view thereof;
 FIG. 6 is a top thereof; and,
 FIG. 7 is a bottom thereof.
 The broken lines in the drawing depict environmental subject matter only and form no part of the claimed design.

1 Claim, 7 Drawing Sheets

- (56) **References Cited**
- U.S. PATENT DOCUMENTS
- | | | | |
|--------------|---------|-------------|--------------|
| 2,694,769 A | 11/1954 | Huck et al. | |
| D339,954 S * | 10/1993 | Bunn | D7/309 |
| D353,296 S * | 12/1994 | Assmann | D7/309 |
| 5,544,566 A | 8/1996 | Bersten | |
| 5,586,484 A | 12/1996 | Piazza | |
| D404,604 S * | 1/1999 | Pochopien | D7/309 |
| D411,705 S * | 6/1999 | Littmann | D7/309 |



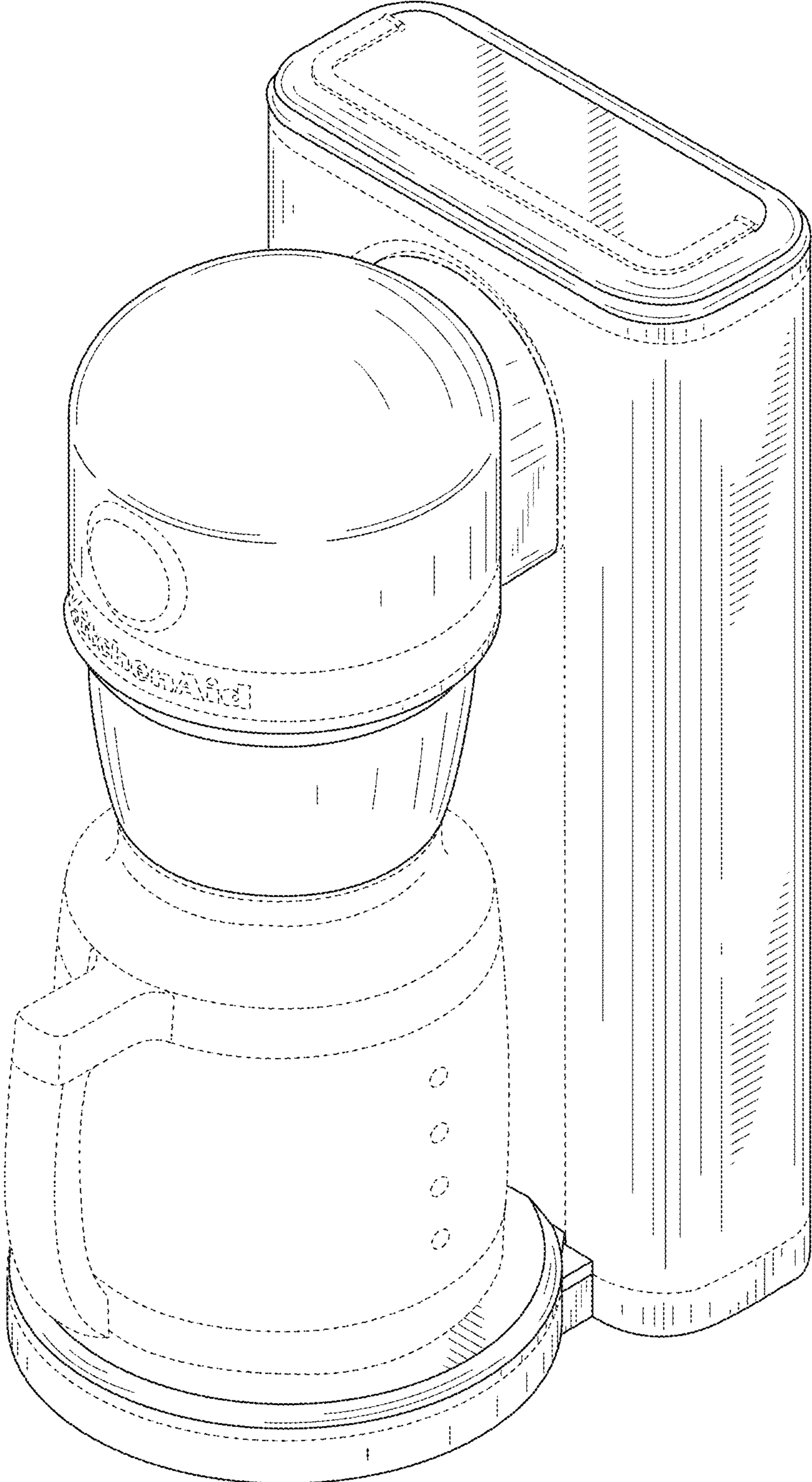


FIG. 1

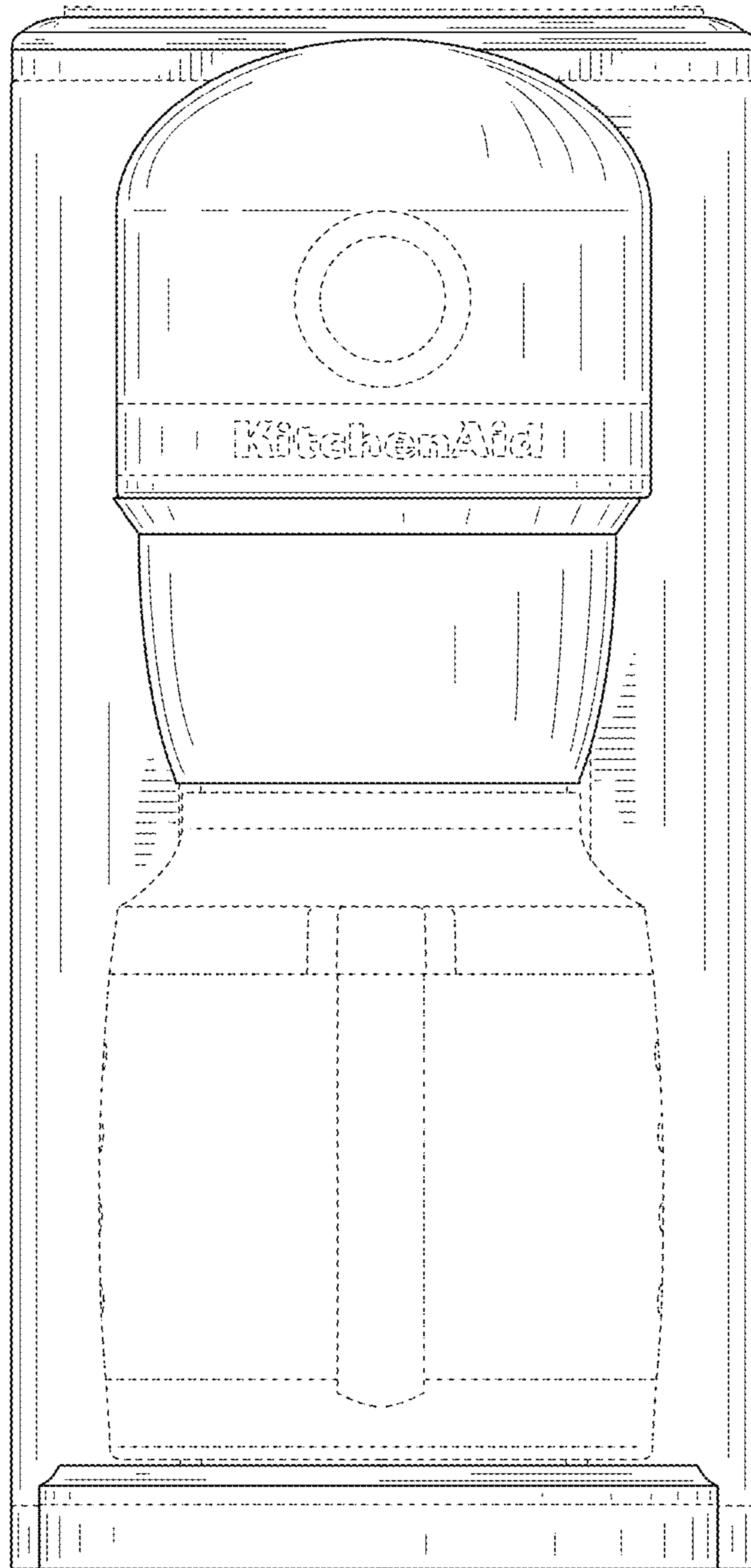


FIG. 2

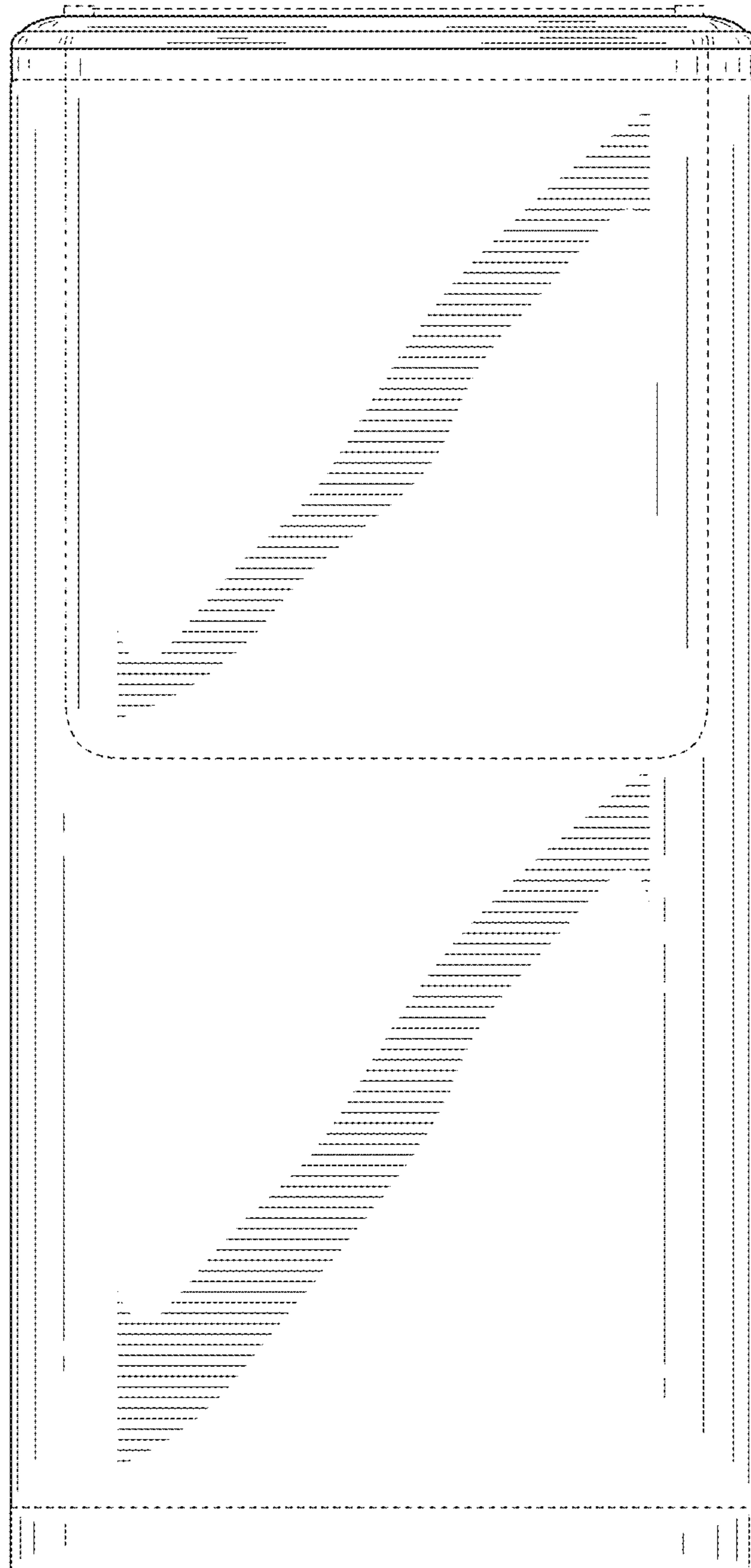


FIG. 3

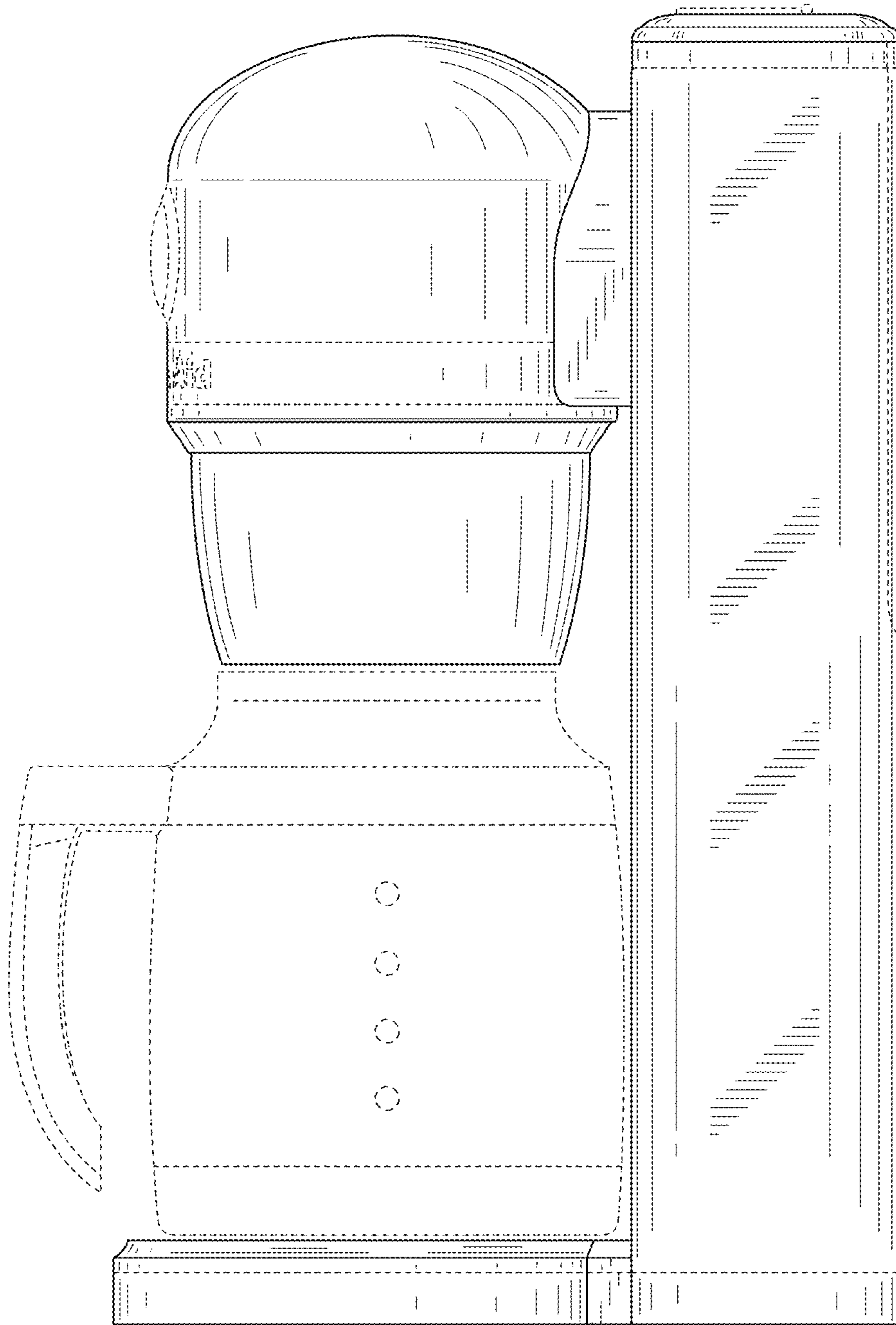


FIG. 4

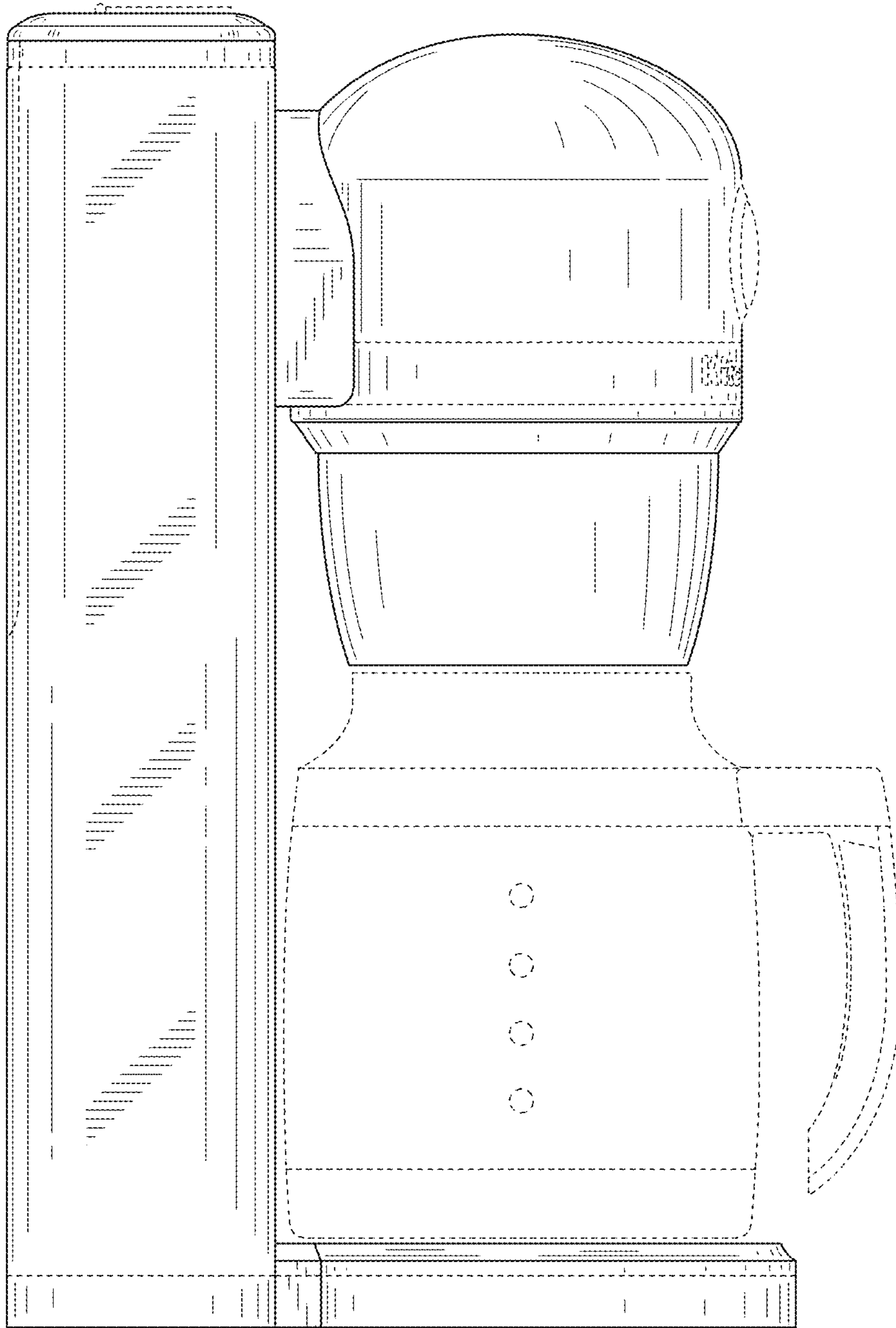


FIG. 5

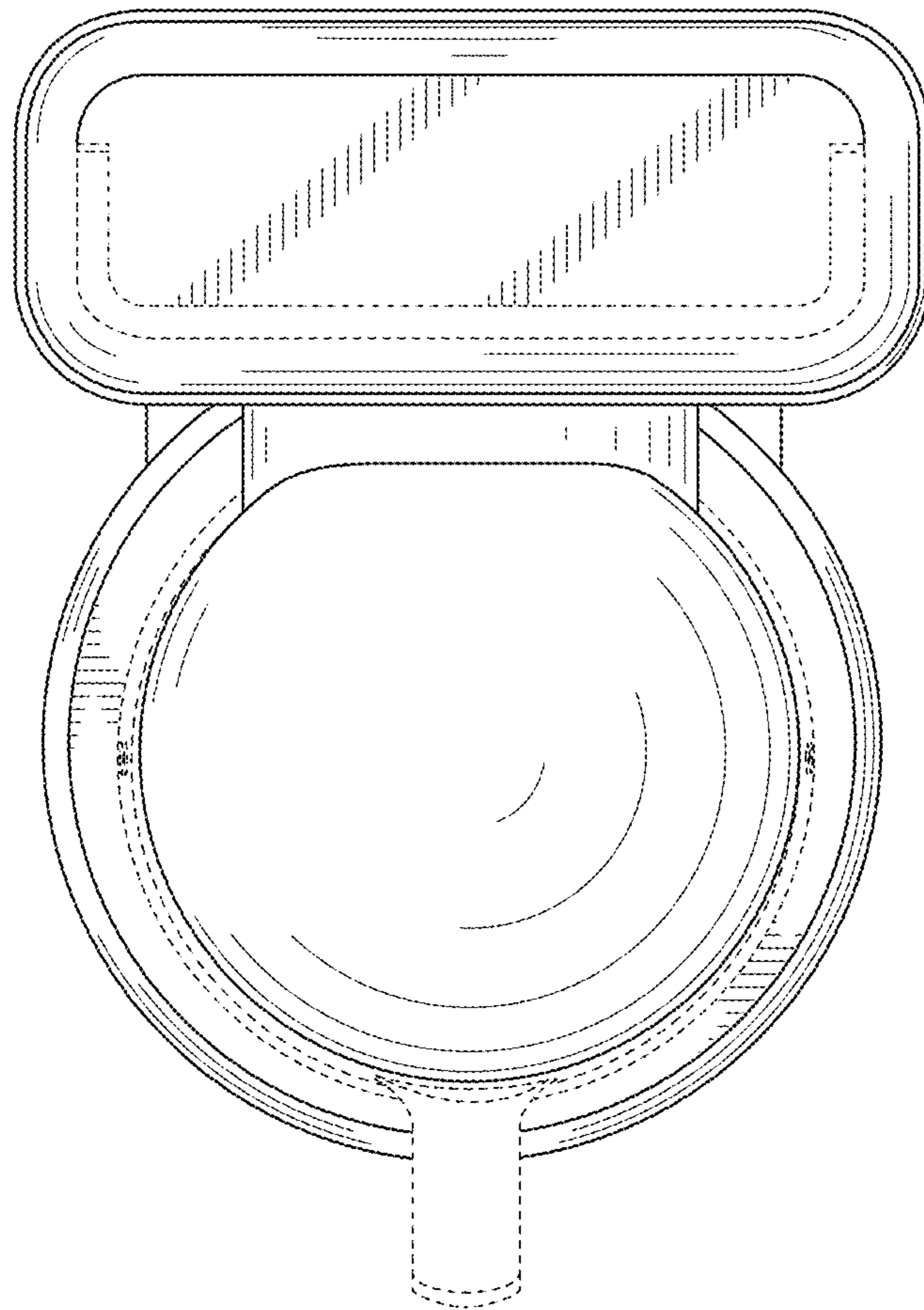


FIG. 6

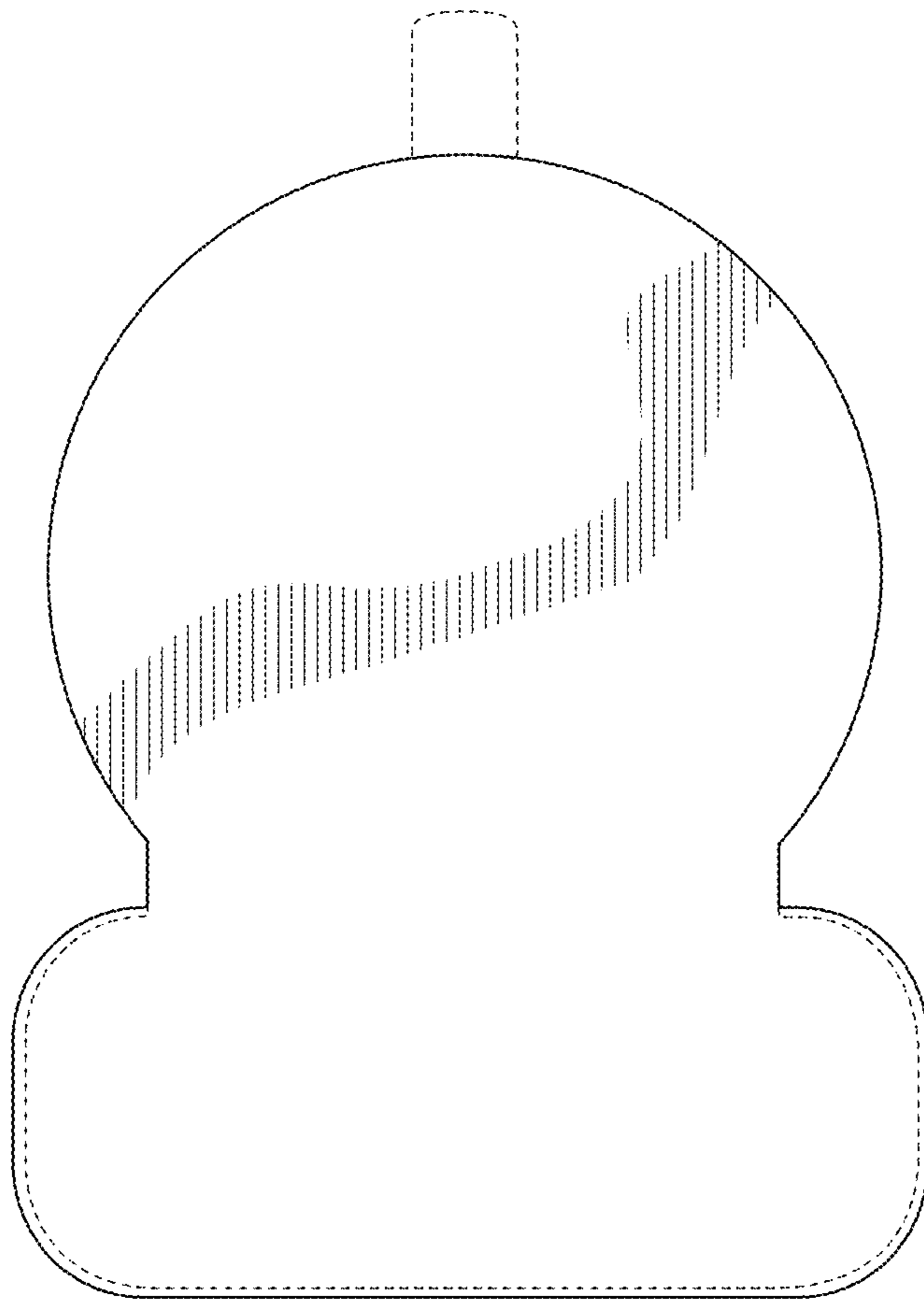


FIG. 7