



US00D777498S

(12) **United States Design Patent** (10) **Patent No.:** **US D777,498 S**  
**Bandixen et al.** (45) **Date of Patent:** **\*\* Jan. 31, 2017**

(54) **BEVERAGE DISPENSER**

(71) Applicant: **BUNN-O-MATIC CORPORATION**,  
Springfield, IL (US)

(72) Inventors: **Mark W. Bandixen**, Springfield, IL  
(US); **Donald E. Wiley**, Springfield, IL  
(US)

(73) Assignee: **Bunn-O-Matic Corporation**,  
Springfield, IL (US)

(\*\*) Term: **14 Years**

(21) Appl. No.: **29/523,212**

(22) Filed: **Apr. 7, 2015**

(51) **LOC (10) Cl.** ..... **07-01**

(52) **U.S. Cl.**  
USPC ..... **D7/306; D7/311**

(58) **Field of Classification Search**  
USPC ..... D7/306-311, 305, 300, 397, 398, 399,  
D7/400; 99/279, 284, 290, 280, 299, 307,  
99/297, 295, 323, 275, 281, 300, 302 R,  
99/282, 288; 426/433; D20/4, 5, 1  
CPC ..... A47J 31/44; A47J 31/00; A47J 31/46;  
A47J 31/10; A47J 31/56; A47J  
31/42; A47J 431/4482; A47J  
27/2105; A47J 31/4403; A47J  
31/32; A47J 31/4457; A47J 31/52; A47J  
31/0573; A47J 31/545; B65D 81/3266

See application file for complete search history.

(56) **References Cited**

U.S. PATENT DOCUMENTS

D627,188 S *	11/2010	Picozza .....	D7/306
D649,392 S *	11/2011	Cahen .....	D7/306
D677,510 S *	3/2013	Tetreault .....	D7/309
D730,674 S *	6/2015	De'Longhi .....	D7/309
D739,677 S *	9/2015	Du .....	D7/309
D741,101 S *	10/2015	Luippold .....	D7/306
D760,009 S *	6/2016	Moammer .....	D7/309

\* cited by examiner

*Primary Examiner* — Marianne Pandozzi

(74) *Attorney, Agent, or Firm* — Barnes & Thornburg  
LLP

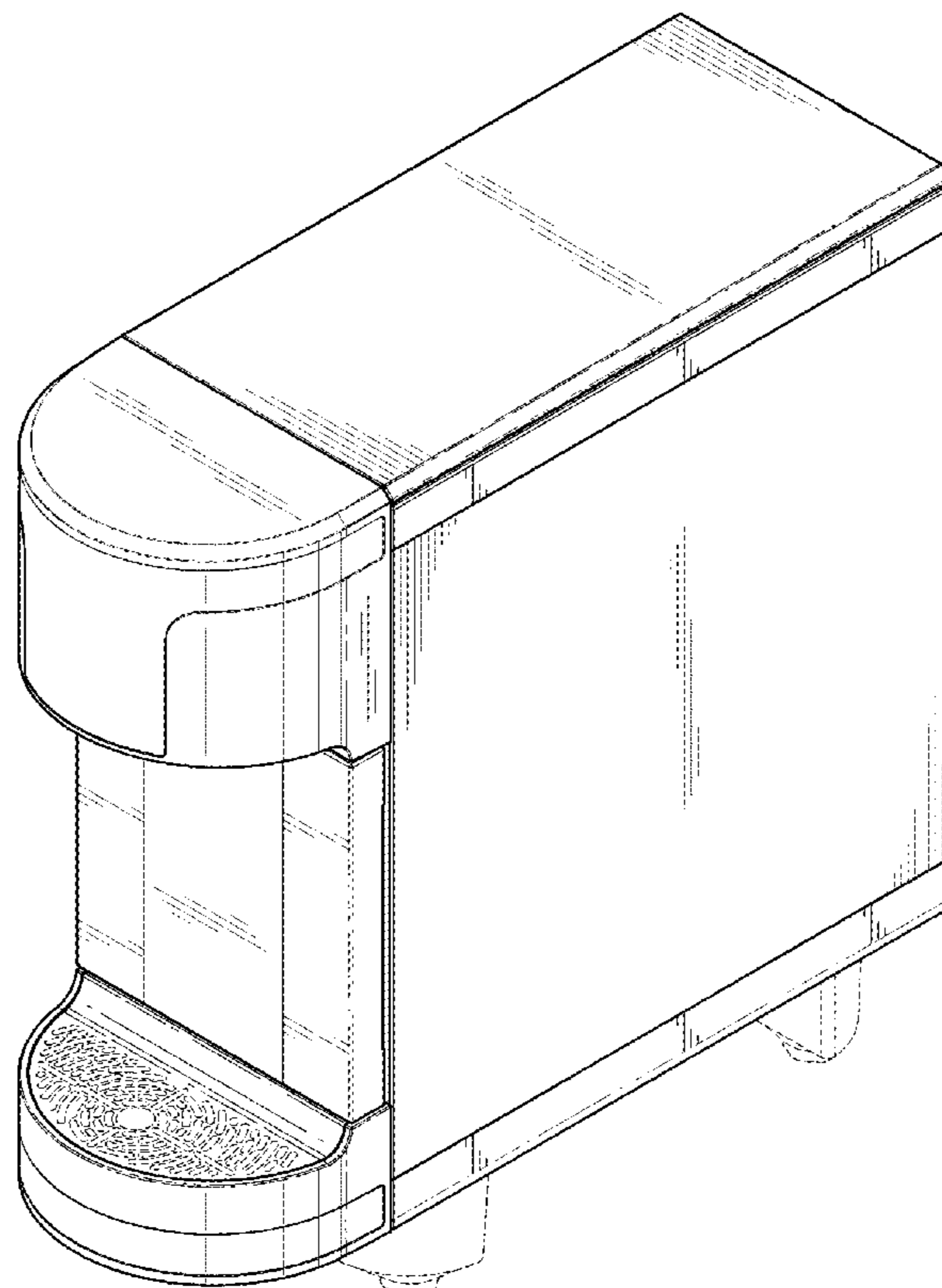
(57) **CLAIM**

What is claimed is the ornamental design for a beverage dispenser, as shown and described.

**DESCRIPTION**

FIG. 1 is a perspective view of the beverage dispenser;  
FIG. 2 is a front elevational view thereof;  
FIG. 3 is a left side elevational view thereof;  
FIG. 4 is a right side elevational view thereof;  
FIG. 5 is a rear elevational view thereof;  
FIG. 6 is a top plan view thereof; and,  
FIG. 7 is a bottom plan view thereof.  
The broken lines in the drawing depict portions of the beverage dispenser that form no part of the claimed design.

**1 Claim, 7 Drawing Sheets**



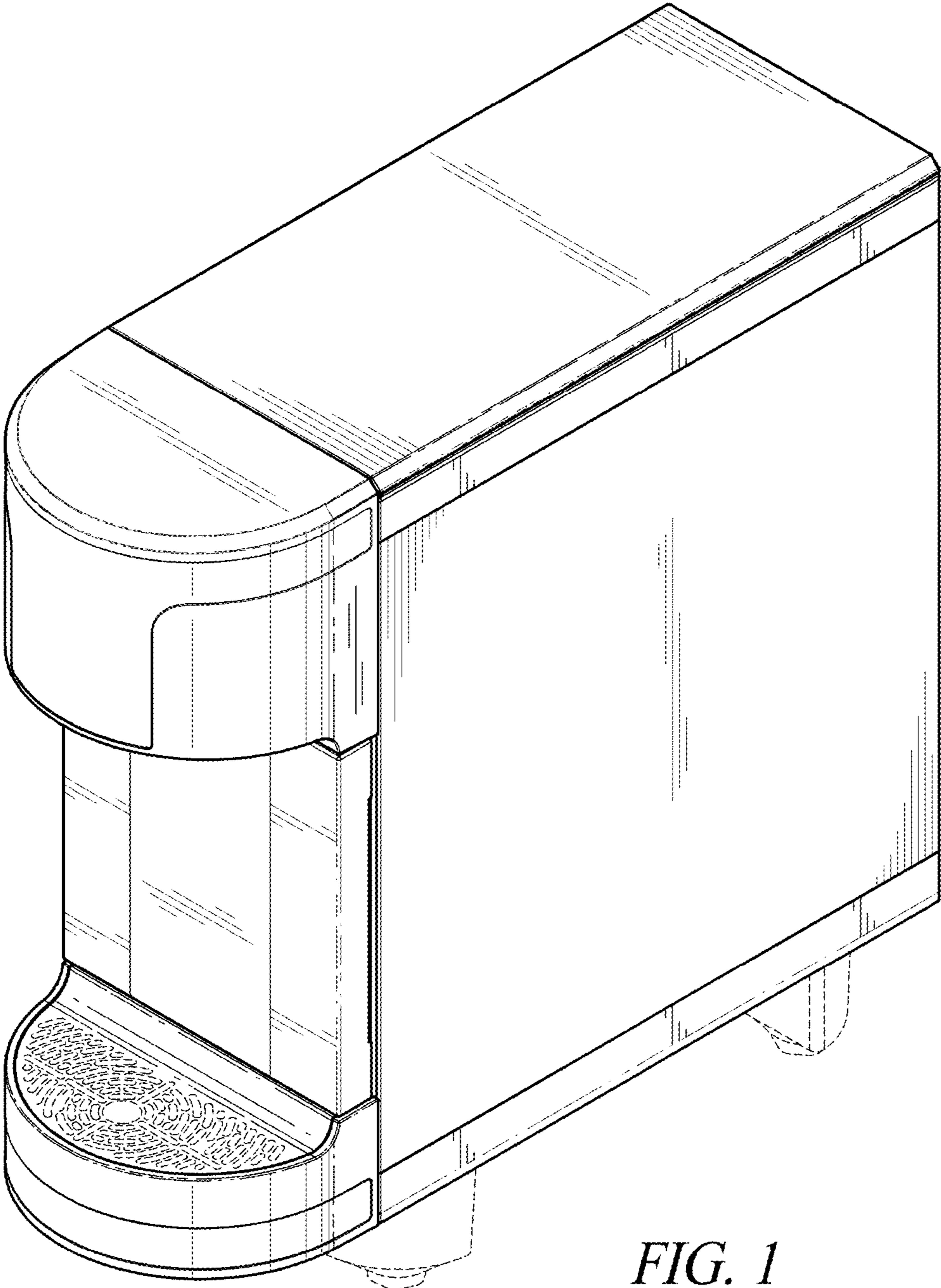
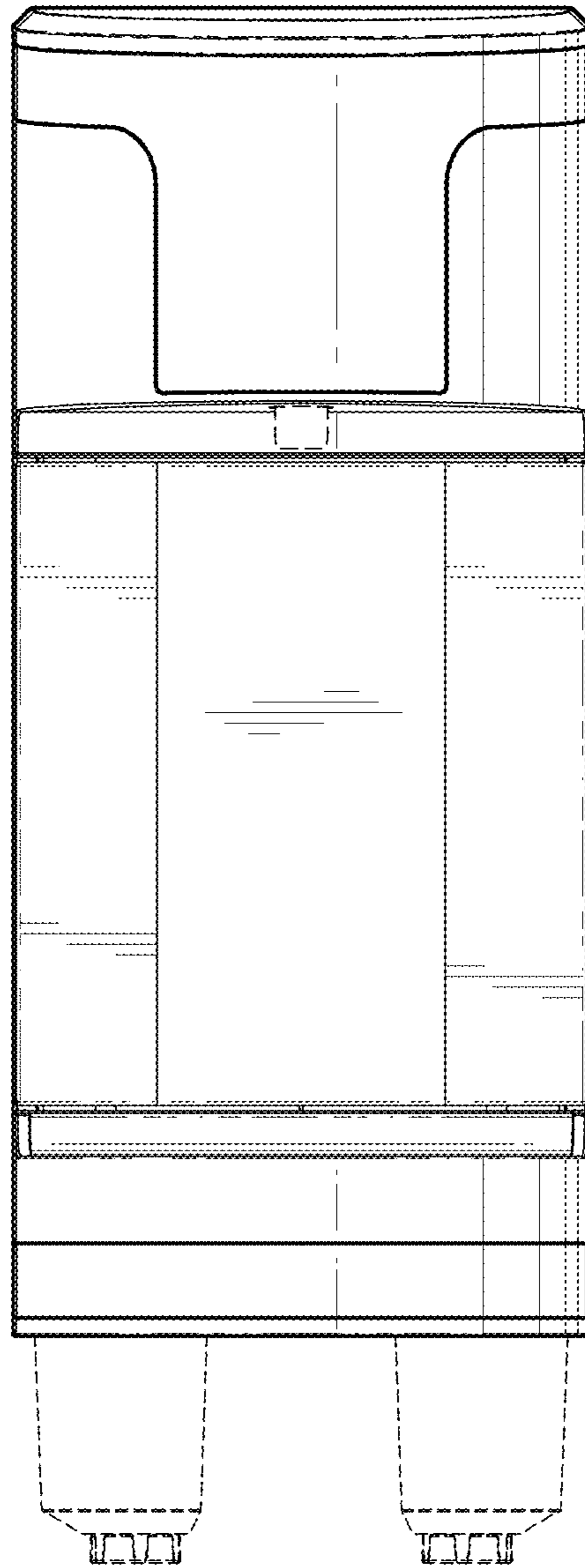
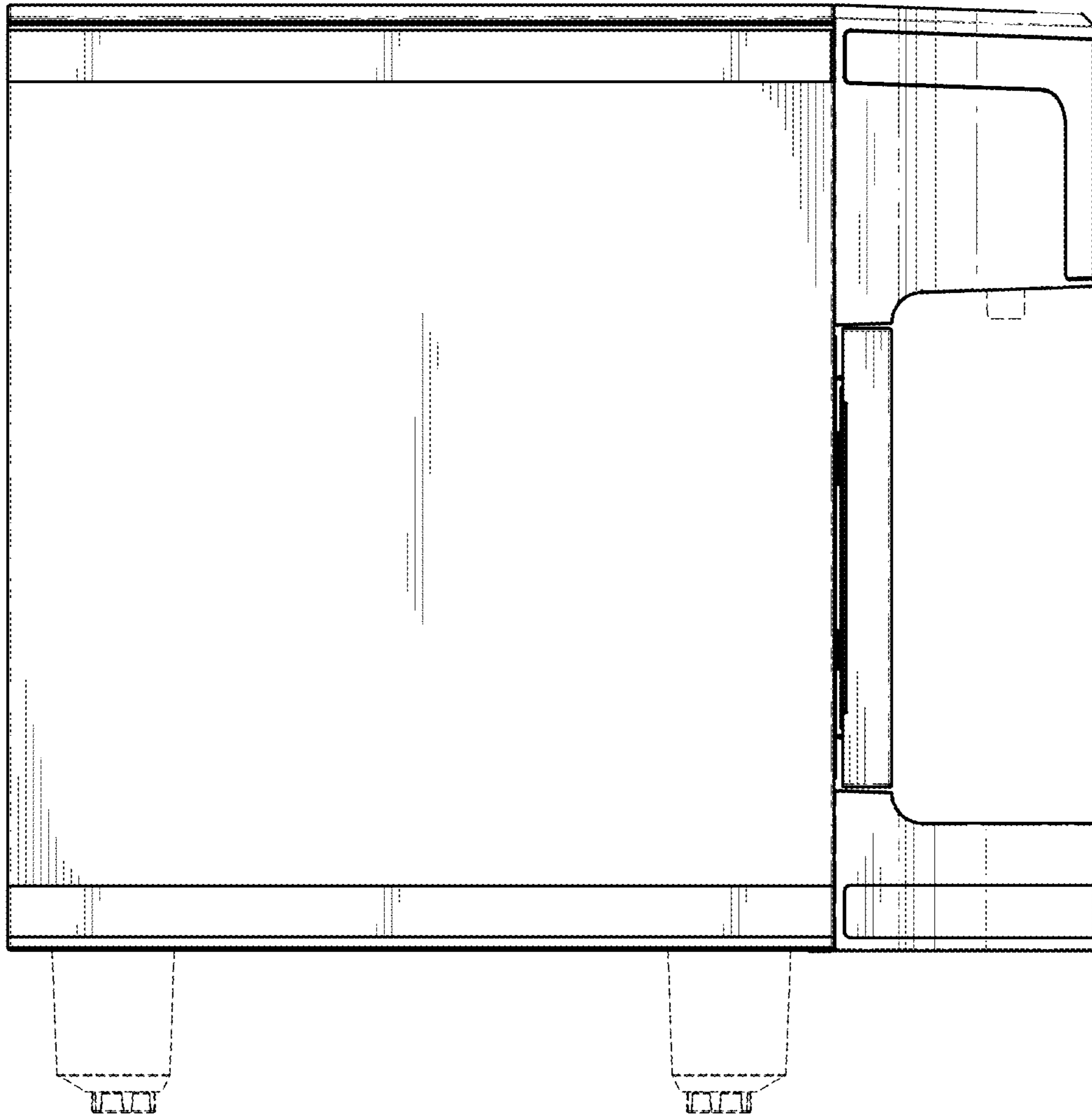


FIG. 1



*FIG. 2*



*FIG. 3*

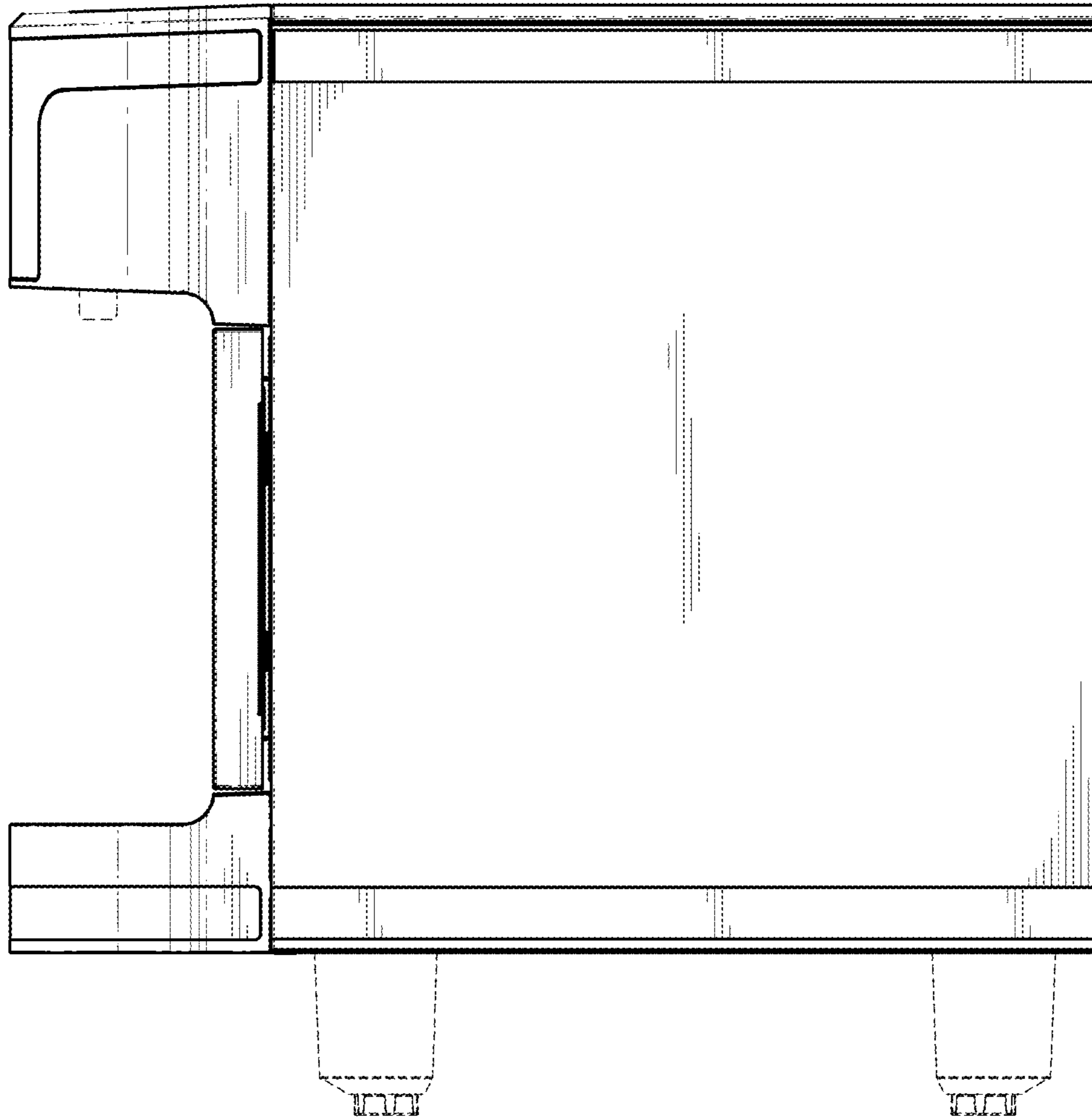
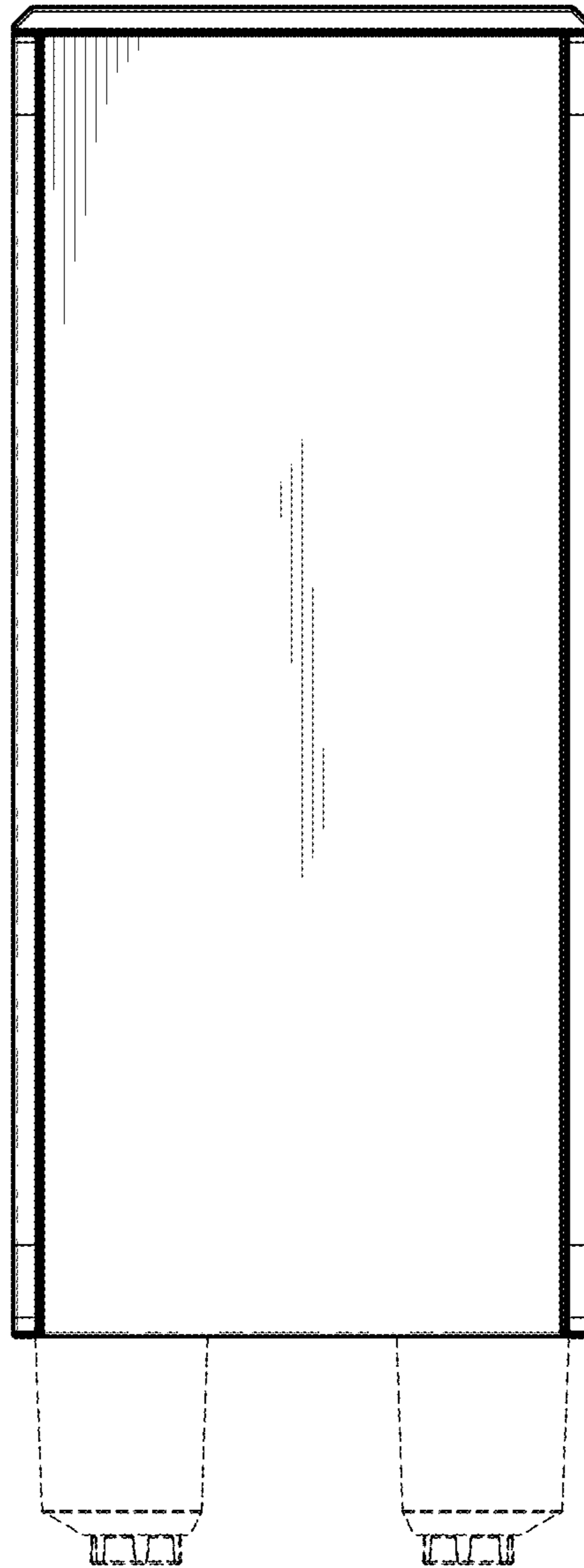
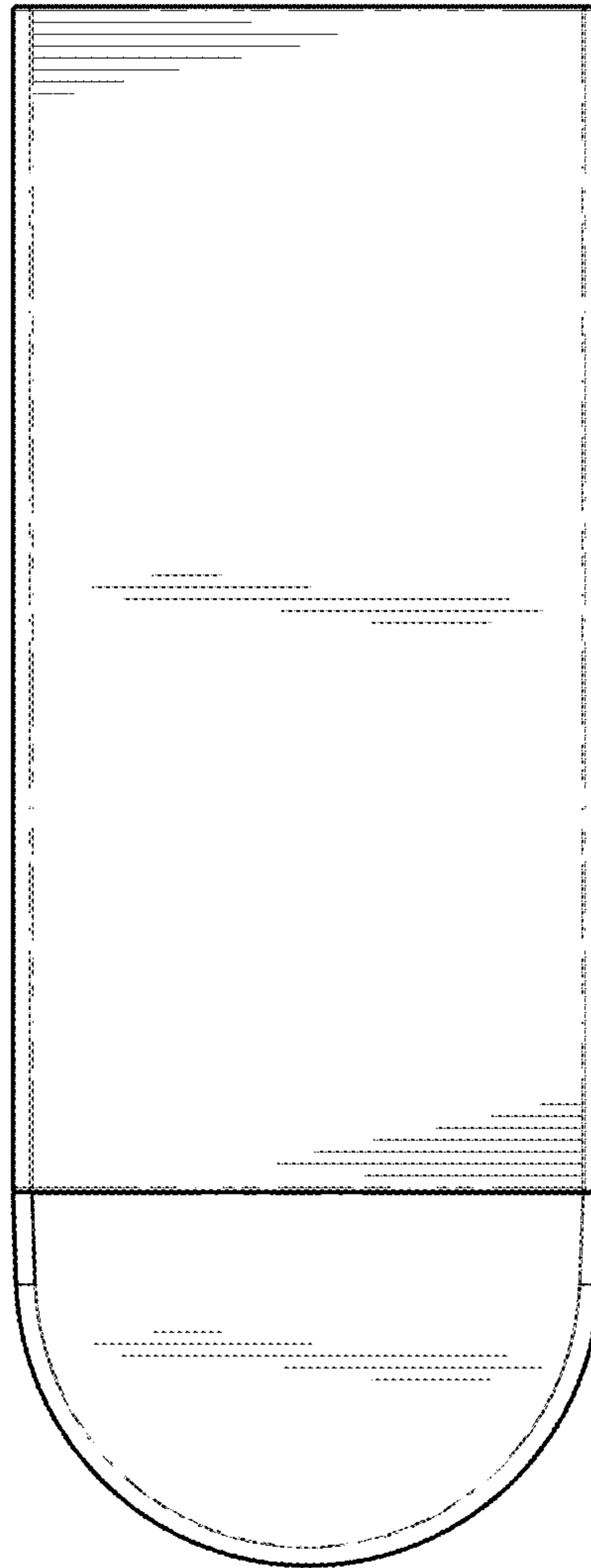


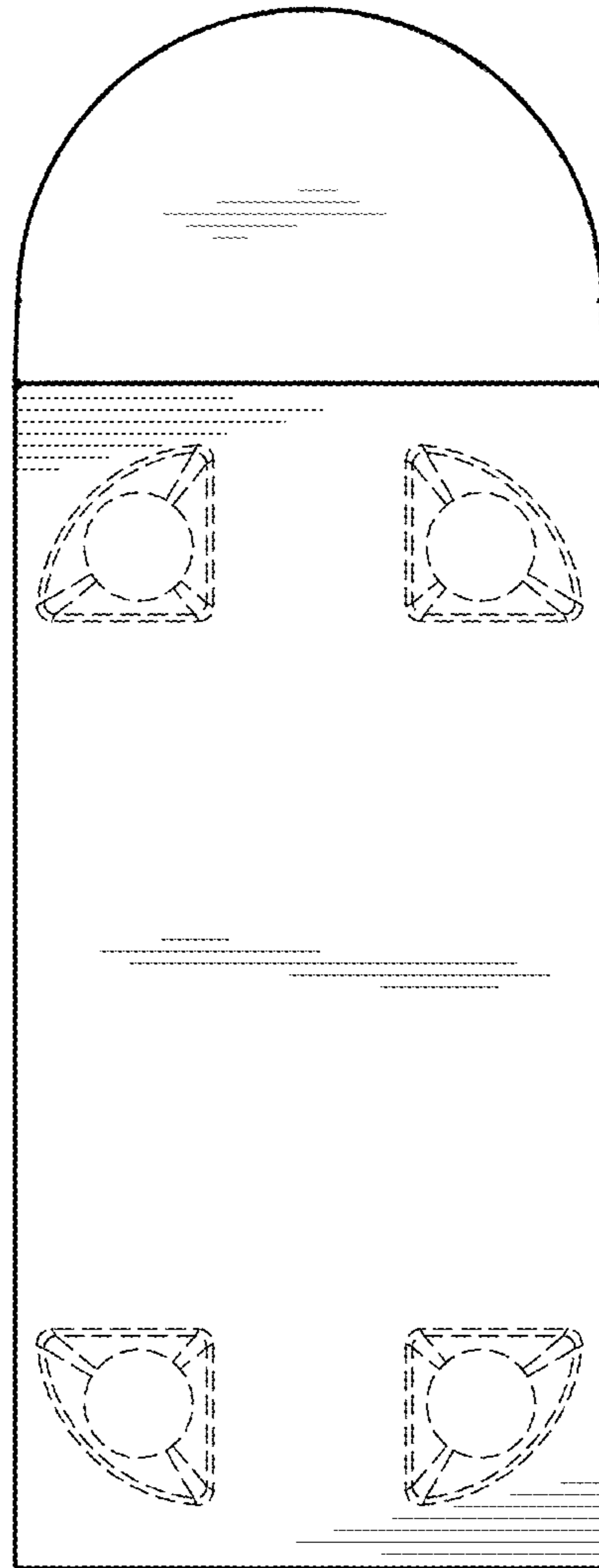
FIG. 4



*FIG. 5*



*FIG. 6*



*FIG. 7*