



US00D777496S

(12) **United States Design Patent** (10) **Patent No.:** **US D777,496 S**
Labowitz et al. (45) **Date of Patent:** **** Jan. 31, 2017**

(54) **CHAIR CAPE ASSEMBLY**

- (71) Applicant: **ENTERTAINMENT EARTH, INC.**,
Simi Valley, CA (US)
- (72) Inventors: **Jason Alec Labowitz**, Los Angeles, CA
(US); **Griffin Ilagan Maghari**, Los
Angeles, CA (US); **Jodie F. Winters**,
Woodland Hills, CA (US)
- (73) Assignee: **ENTERTAINMENT EARTH, INC.**,
Simi Valley, CA (US)

(**) Term: **15 Years**

(21) Appl. No.: **29/529,539**

(22) Filed: **Jun. 8, 2015**

(51) **LOC (10) Cl.** **06-01**

(52) **U.S. Cl.**
USPC **D6/716.4**

(58) **Field of Classification Search**
USPC D6/334–336, 366, 371–373, 374, 379,
D6/380, 716, 716.1, 716.2, 716.3, 716.4
CPC A47C 13/00; A47C 13/005; A47C 4/00;
A47C 4/02; A47C 4/021; A47C 4/028
See application file for complete search history.

(56) **References Cited**

U.S. PATENT DOCUMENTS

D363,401 S *	10/1995	Wingerter	D6/716.4
6,447,067 B1 *	9/2002	Williams	A47C 4/021 297/184.11
D476,819 S *	7/2003	Williams	D6/334
D482,536 S *	11/2003	Williams	D6/335
D488,868 S *	4/2004	Lundrigan	D6/716.4
D507,911 S *	8/2005	Schweikarth	D6/366
D680,762 S *	4/2013	Nagata	D6/335
D706,555 S	6/2014	Lipfert et al.		
D743,187 S	11/2015	Lipfert et al.		

OTHER PUBLICATIONS

“Its Gonna Be a Heroic Summer: Target Teams Up with Warner Bros. Consumer Products for an Exclusive Justice League Collection” May 23, 2013 A Bullseye View, Target Corporation. <https://corporate.target.com/article/2013/05/target-warner-bros-justice-league-summer-exclusive>.
Chair Covers by bbj linen rental, available at <http://www.bbjlinen.com/Products/2/Chair-Covers> Copyright © 2016 BBJ Linen.
Chair Jacket from Linen Hero, available at: <http://www.linenhero.com/products/browse/chair-jacket/>.
Chiavari Chair Covers, available at: <http://www.linetablecloth.com/chair-covers-and-sashes/chair-covers/chiavari-chair-covers.html>.

(Continued)

Primary Examiner — Mimosa De

(74) *Attorney, Agent, or Firm* — Koppel, Patrick, Heybl & Philpott

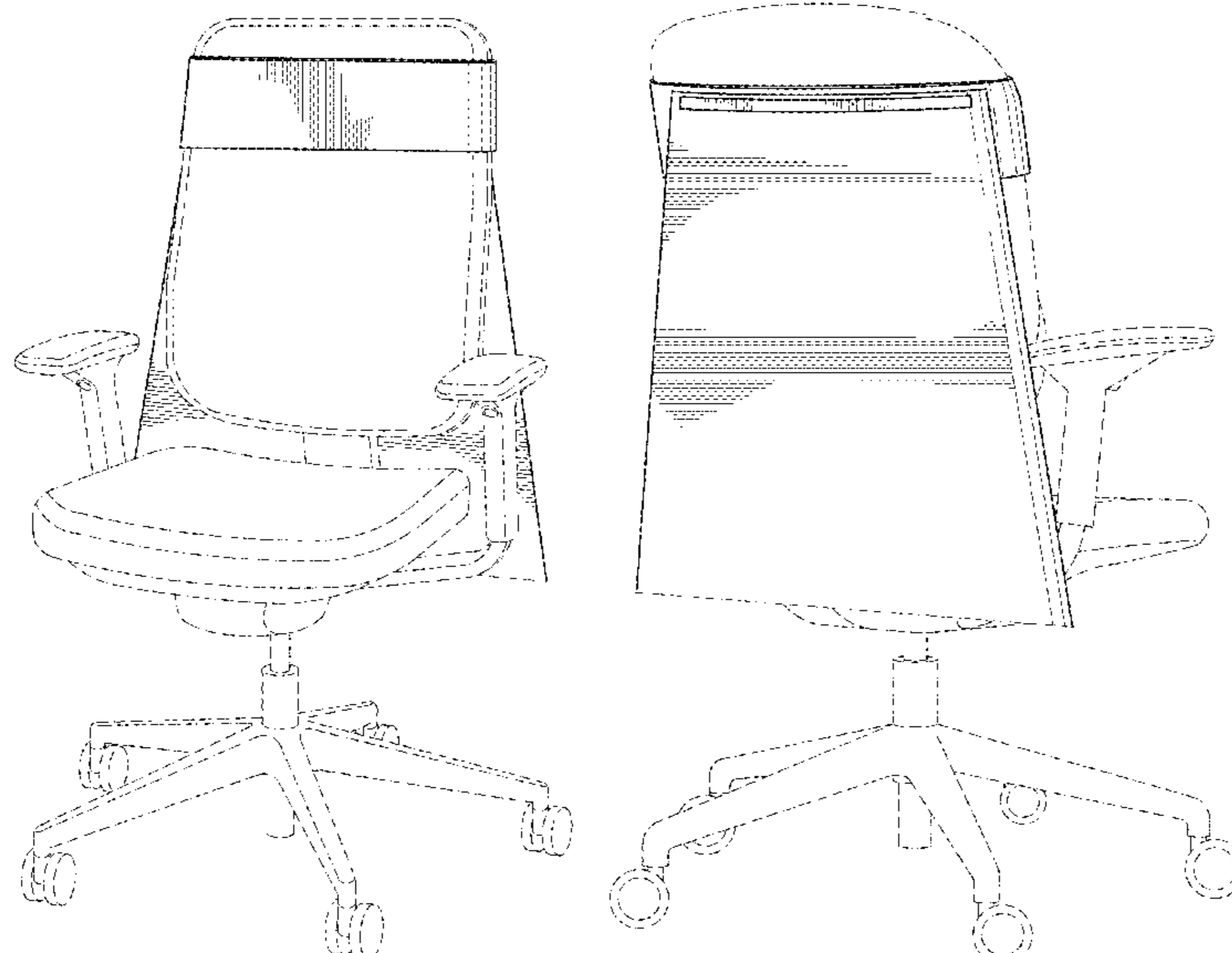
(57) **CLAIM**

We claim the ornamental design for a chair cape assembly, substantially as shown and described.

DESCRIPTION

FIG. 1 is a front perspective view of a chair cape assembly showing our new design;
FIG. 2 is a rear perspective view thereof;
FIG. 3 is rear elevational view thereof;
FIG. 4 is a front elevational view thereof;
FIG. 5 is a right side elevational view thereof;
FIG. 6 is a left side elevational view thereof; and,
FIG. 7 is a top plan view thereof.
The dotted line showings in the drawings of the chair are for the purpose of illustrating environmental structure and form no part of the claimed design and the bottom edge of the cape as shown by dotted lines is an unclaimed edge.

1 Claim, 7 Drawing Sheets



(56)

References Cited

OTHER PUBLICATIONS

Tablecloths Factory, Diamond Buckle (for chair sash), available at:
http://tableclothsfactory.com/Diamond-Buckle-for-chair-sash-Red-Diamond-p/sash_pin_008.htm.

Wonder Woman Kid's Camp Chair from Target, available at:
<https://corporate.target.com/press/releases/2013/05/target-and-warner-bros-consumer-products-team-up-t>.

* cited by examiner

FIG. 1

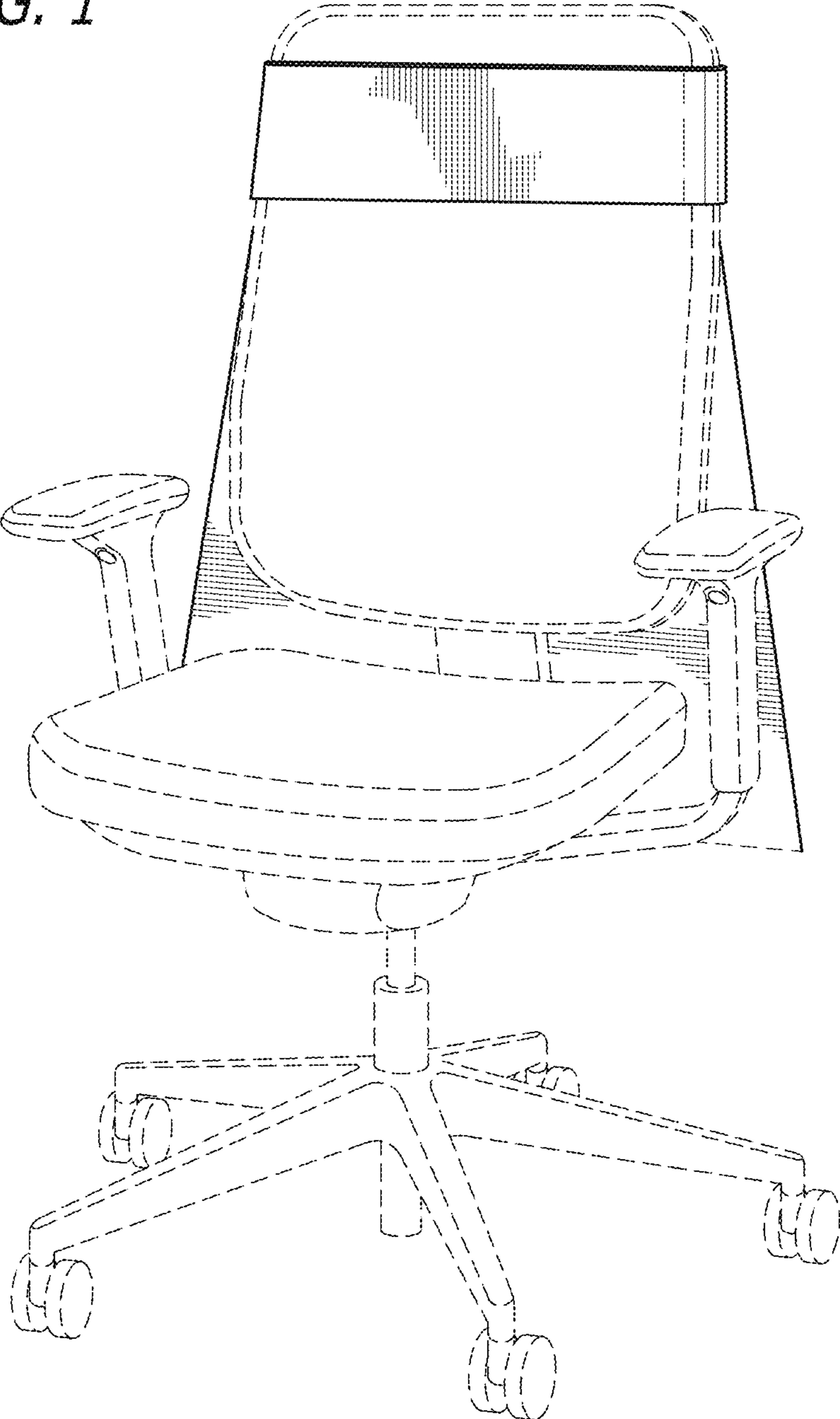


FIG. 2

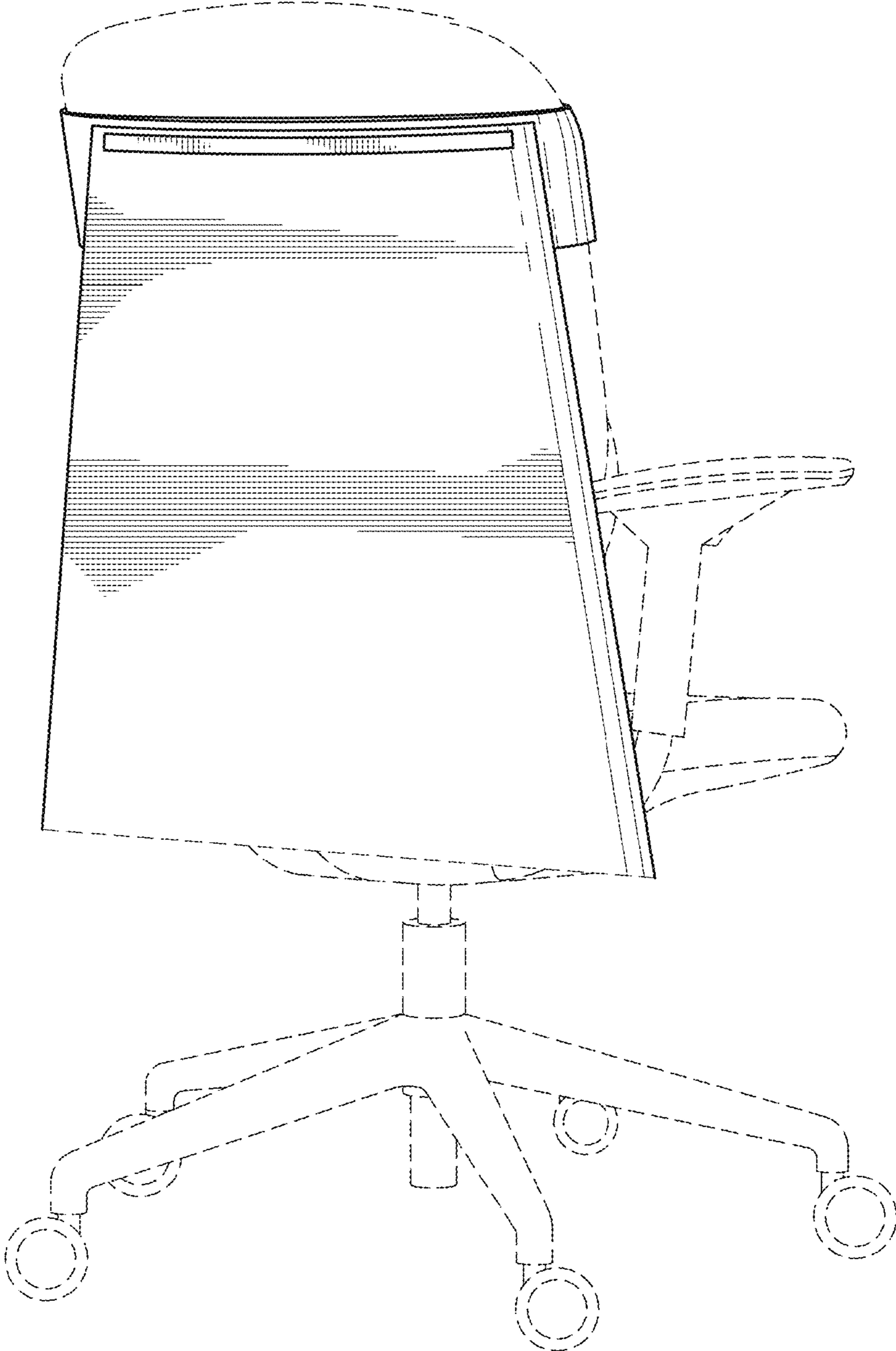


FIG. 3

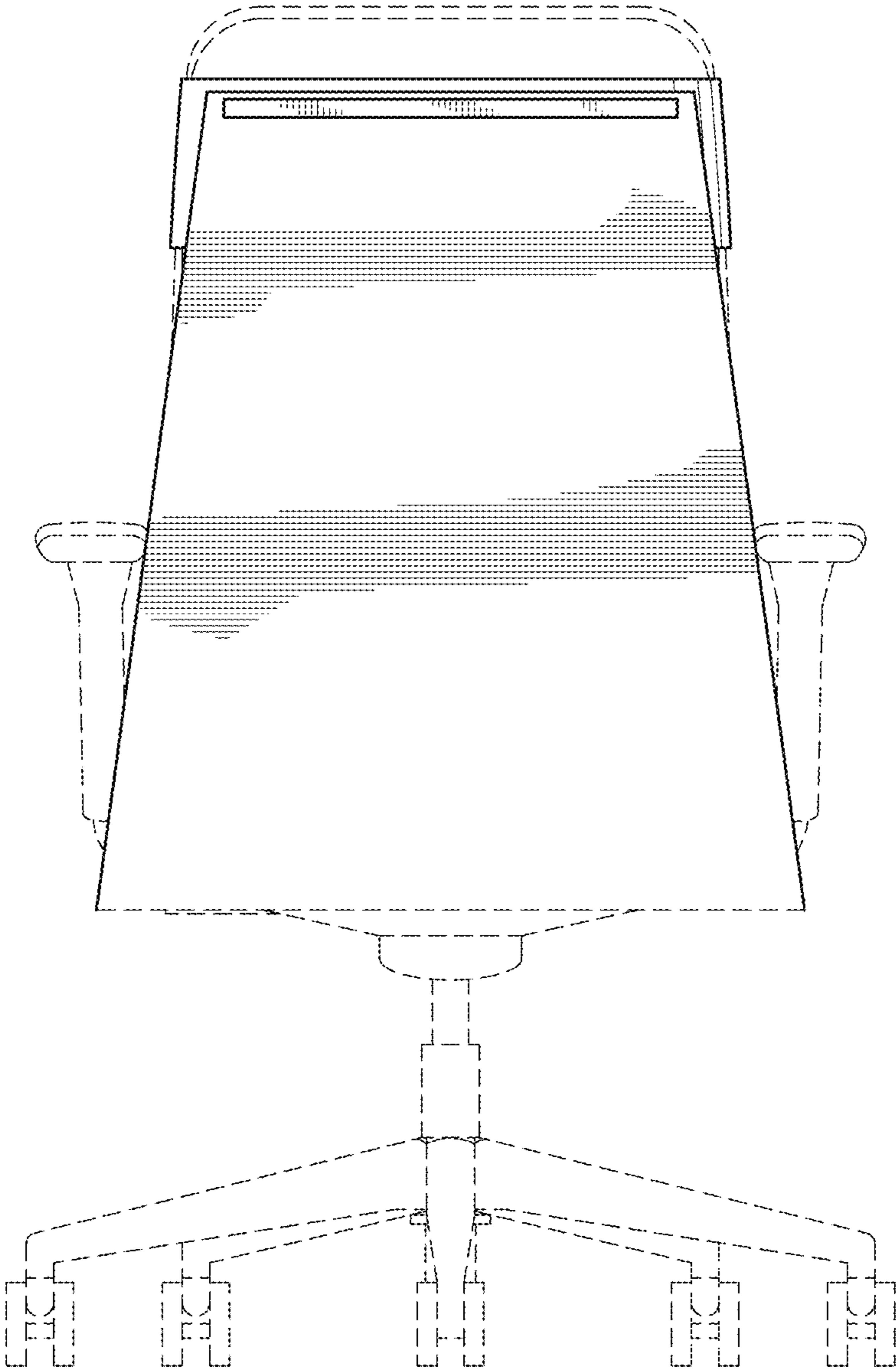


FIG. 4

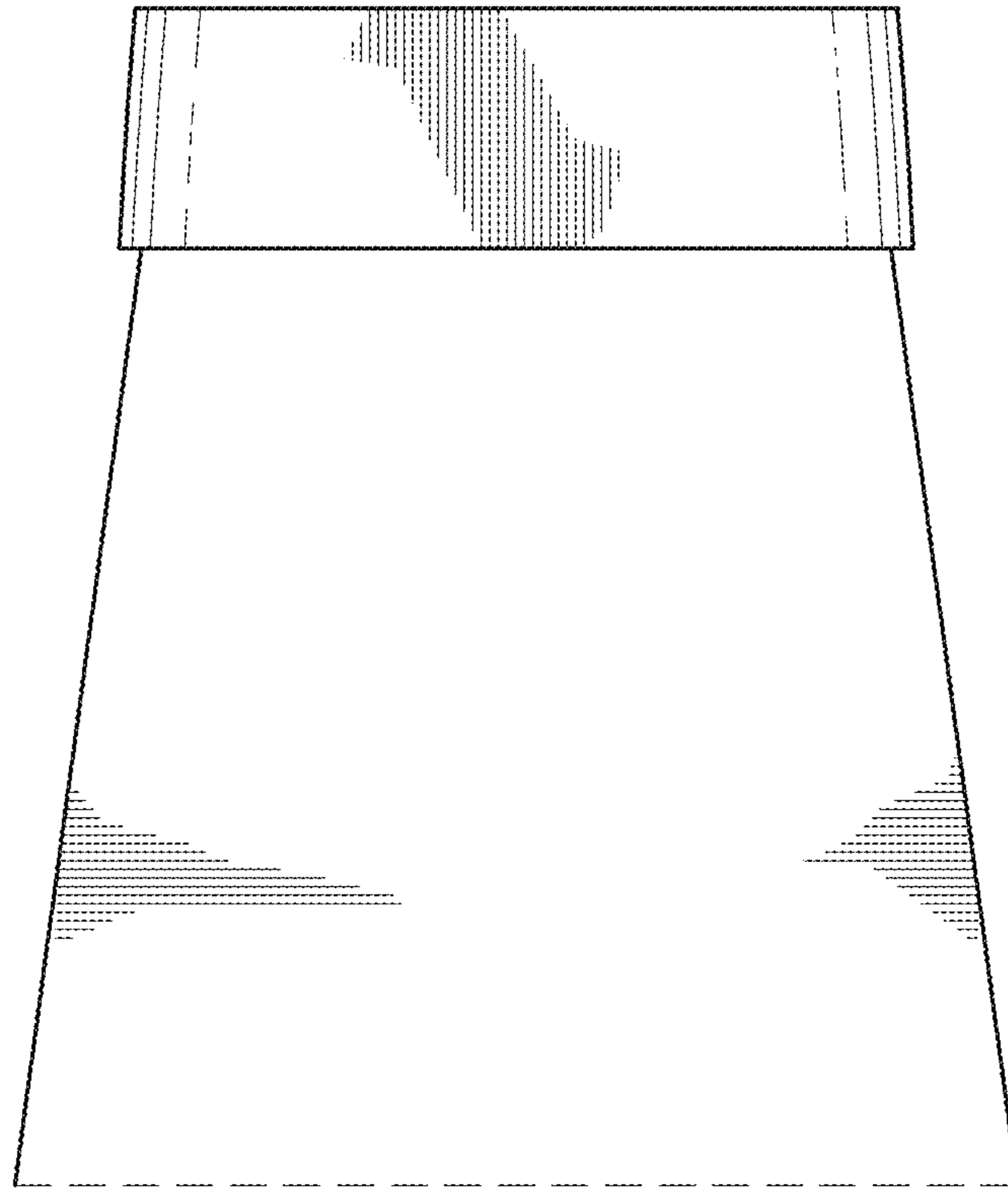


FIG. 5

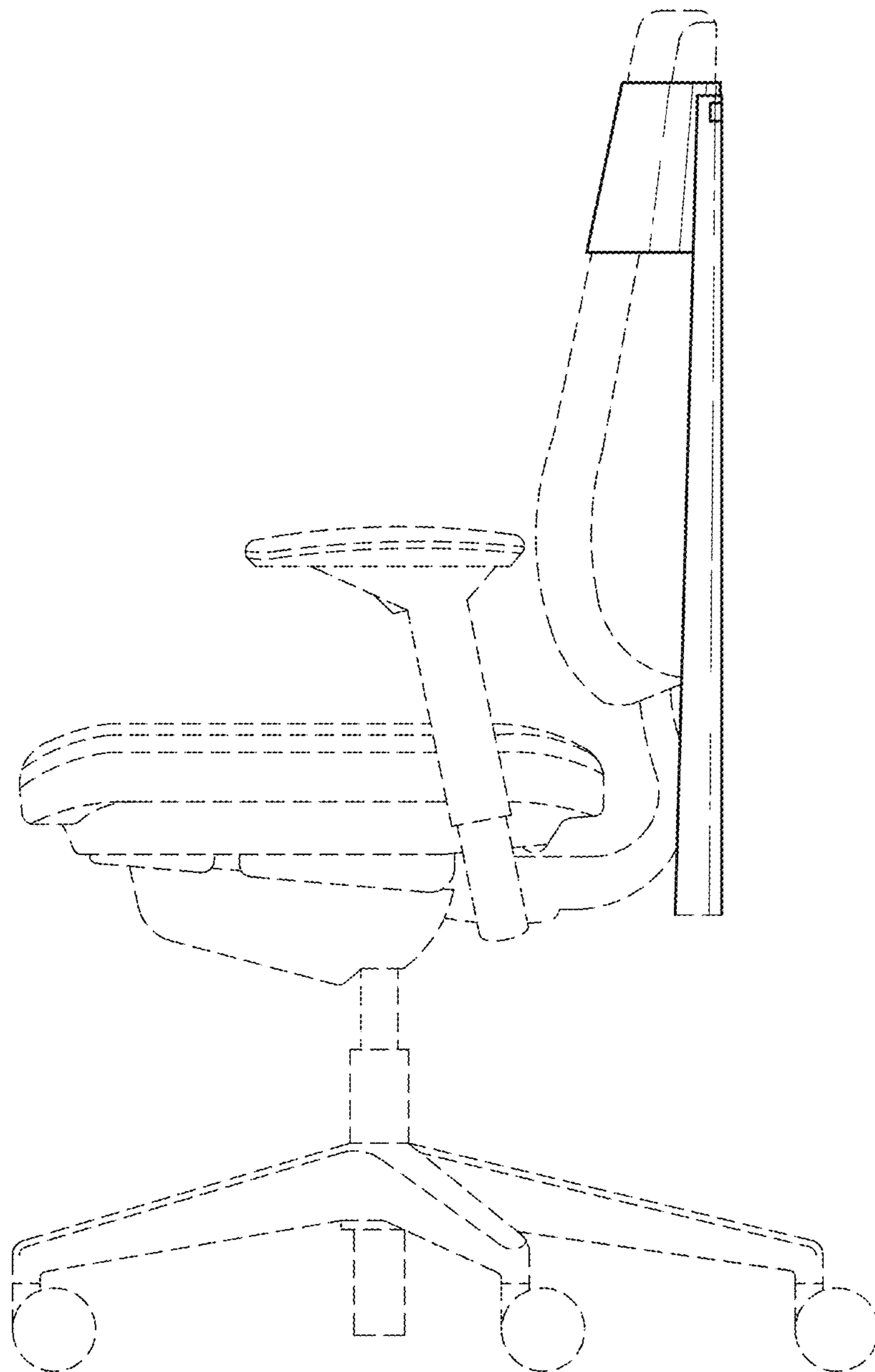


FIG. 6

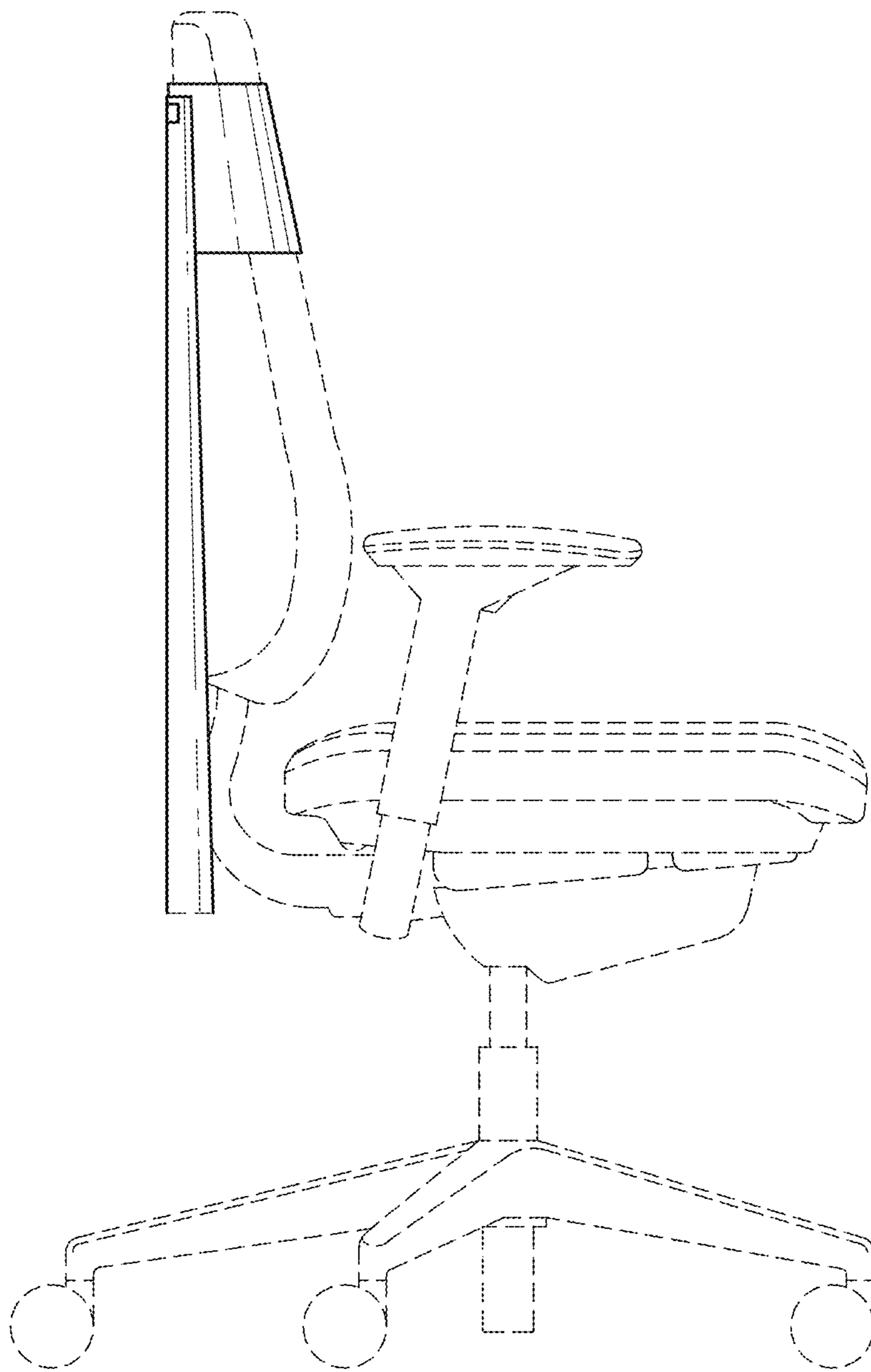


FIG. 7

