



US00D777495S

(12) **United States Design Patent**
Labowitz et al.

(10) **Patent No.:** **US D777,495 S**
(45) **Date of Patent:** **** Jan. 31, 2017**

- (54) **CHAIR SHIELD ASSEMBLY**
- (71) Applicant: **ENTERTAINMENT EARTH, INC.**,
Simi Valley, CA (US)
- (72) Inventors: **Jason Alec Labowitz**, Los Angeles, CA
(US); **Griffin Ilagan Maghari**, Los
Angeles, CA (US); **Jodie F. Winters**,
Woodland Hills, CA (US)
- (73) Assignee: **ENTERTAINMENT EARTH, INC.**,
Simi Valley, CA (US)
- (**) Term: **15 Years**
- (21) Appl. No.: **29/529,538**
- (22) Filed: **Jun. 8, 2015**
- (51) **LOC (10) Cl.** **06-01**
- (52) **U.S. Cl.**
USPC **D6/716.4**
- (58) **Field of Classification Search**
USPC D6/334-336, 366, 371-373, 374, 379,
D6/380, 716, 716.1, 716.2, 716.3, 716.4
CPC A47C 13/00; A47C 13/005; A47C 4/00;
A47C 4/02; A47C 4/021; A47C 4/028
See application file for complete search history.

- D476,819 S * 7/2003 Williams D6/334
- D482,536 S * 11/2003 Williams D6/335
- D610,379 S * 2/2010 Muller D6/716.4
- D680,762 S * 4/2013 Nagata D6/335
- D706,555 S 6/2014 Lipfert et al.
- D743,187 S 11/2015 Lipfert et al.

OTHER PUBLICATIONS

“Its Gonna Be a Heroic Summer: Target Teams Up with Warner Bros. Consumer Products for an Exclusive Justice League Collection” May 23, 2013 A Bullseye View, Target Corporation. <https://corporate.target.com/article/2013/05/target-warner-bros-justice-league-summer-exclusive>.
Chair Covers by bbj linen rental, available at <http://www.bbjlinen.com/Productu/2/Chair-Covers> Copyright © 2016 BBJ Linen.

(Continued)

Primary Examiner — Mimosa De

(74) *Attorney, Agent, or Firm* — Koppel, Patrick, Heybl & Philpott

(57) **CLAIM**

We claim the ornamental design for a chair shield assembly, substantially as shown and described.

DESCRIPTION

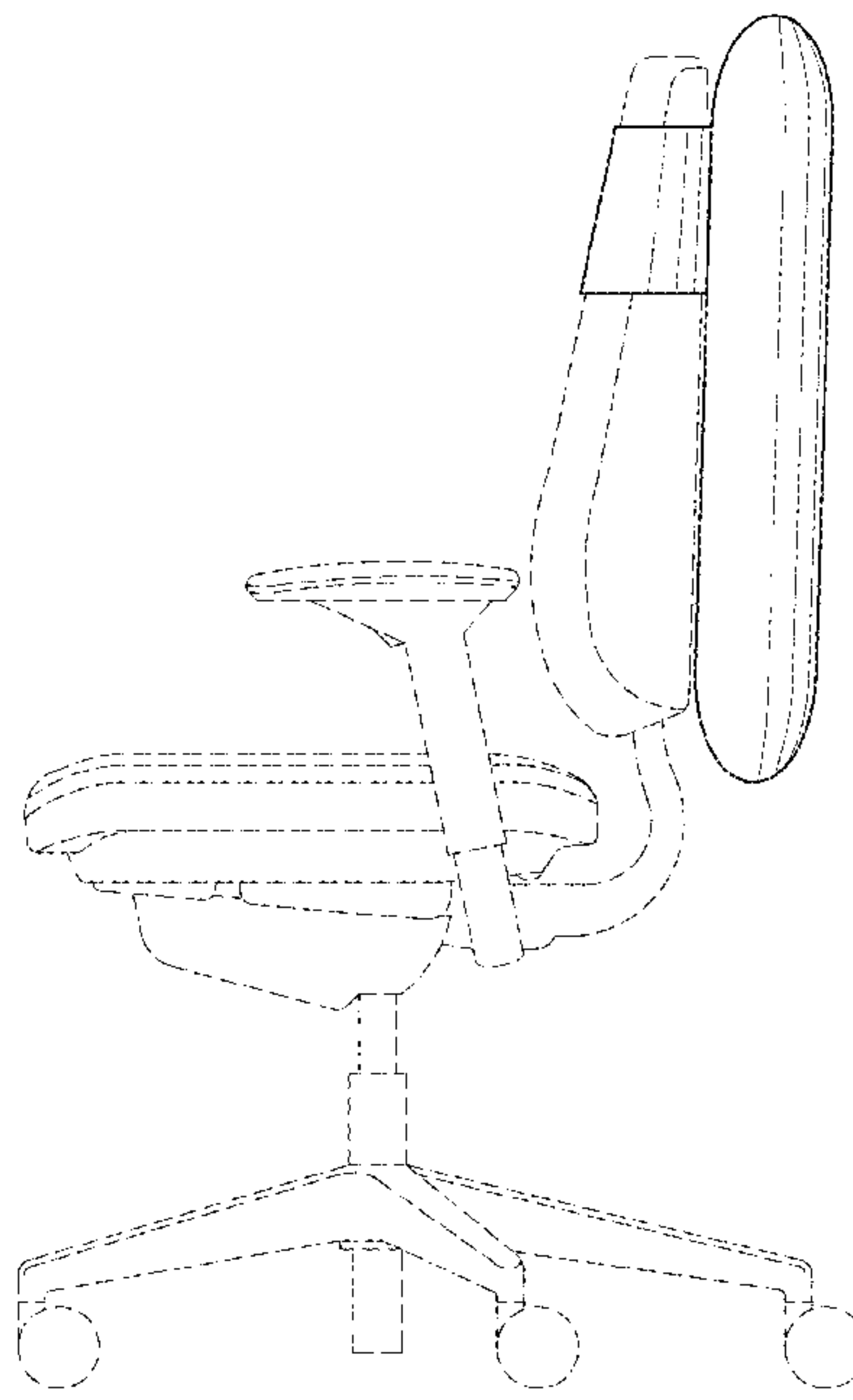
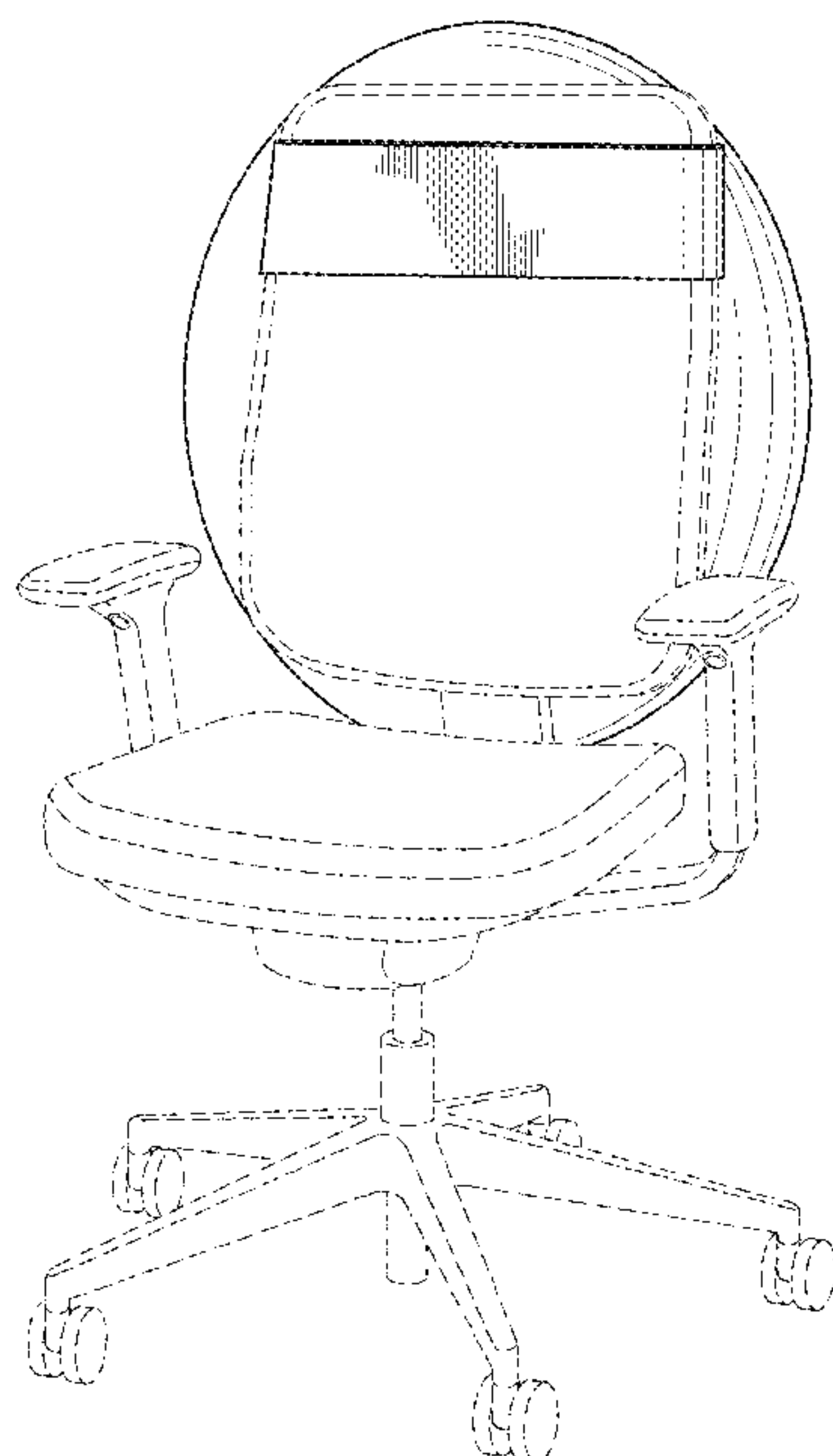
FIG. 1 is a front perspective view of a chair shield assembly showing our new design;
FIG. 2 is a rear perspective view thereof;
FIG. 3 is rear elevational view thereof;
FIG. 4 is a front elevational view thereof;
FIG. 5 is a right side elevational view thereof;
FIG. 6 is a left side elevational view thereof; and,
FIG. 7 is a top plan view thereof.
The dotted line showings in the drawings of the chair are for the purpose of illustrating environmental structure and form no part of the claimed design.

1 Claim, 7 Drawing Sheets

(56) **References Cited**

U.S. PATENT DOCUMENTS

- 1,077,189 A * 10/1913 Curtice A47C 13/00
297/127
- 1,199,336 A * 9/1916 Bean A47C 13/00
297/128
- D411,397 S * 6/1999 Arango D6/716.4
- D444,010 S * 6/2001 Ambrosio D6/716.4
- 6,447,067 B1 * 9/2002 Williams A47C 4/021
297/184.11



(56)

References Cited

OTHER PUBLICATIONS

Chair Jacket from Linen Hero, available at: <http://www.linenhero.com/products/browse/chair-jacket>.

Chiavari Chair Covers, available at: <http://www.linetablecloth.com/chair-covers-and-sashes/chair-covers/chiavari-chair-covers.html>.

Tablecloths Factory. Diamond Buckle (for chair sash), available at: http://fableclothsfactory.com/Diamond-Buckle-for-chair-sash-Red-Diamond-p/sash_pin_008.htm.

Wonder Woman Kid's Camp Chair from Target, available at: <https://corporate.target.com/press/releases/2013/05/target-and-warner-bros-consumer-products-team-up-t>.

* cited by examiner

FIG. 1

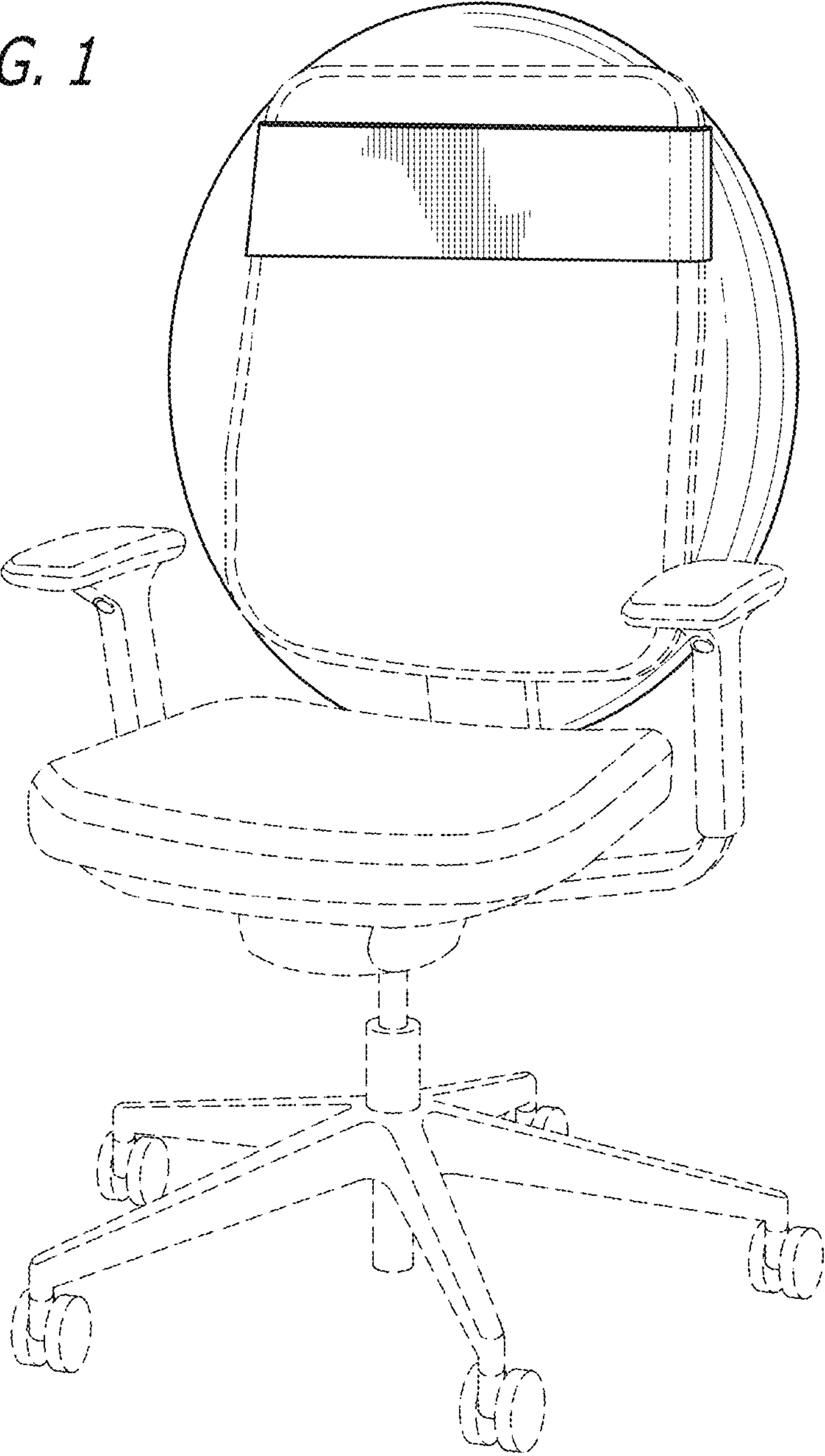


FIG. 2

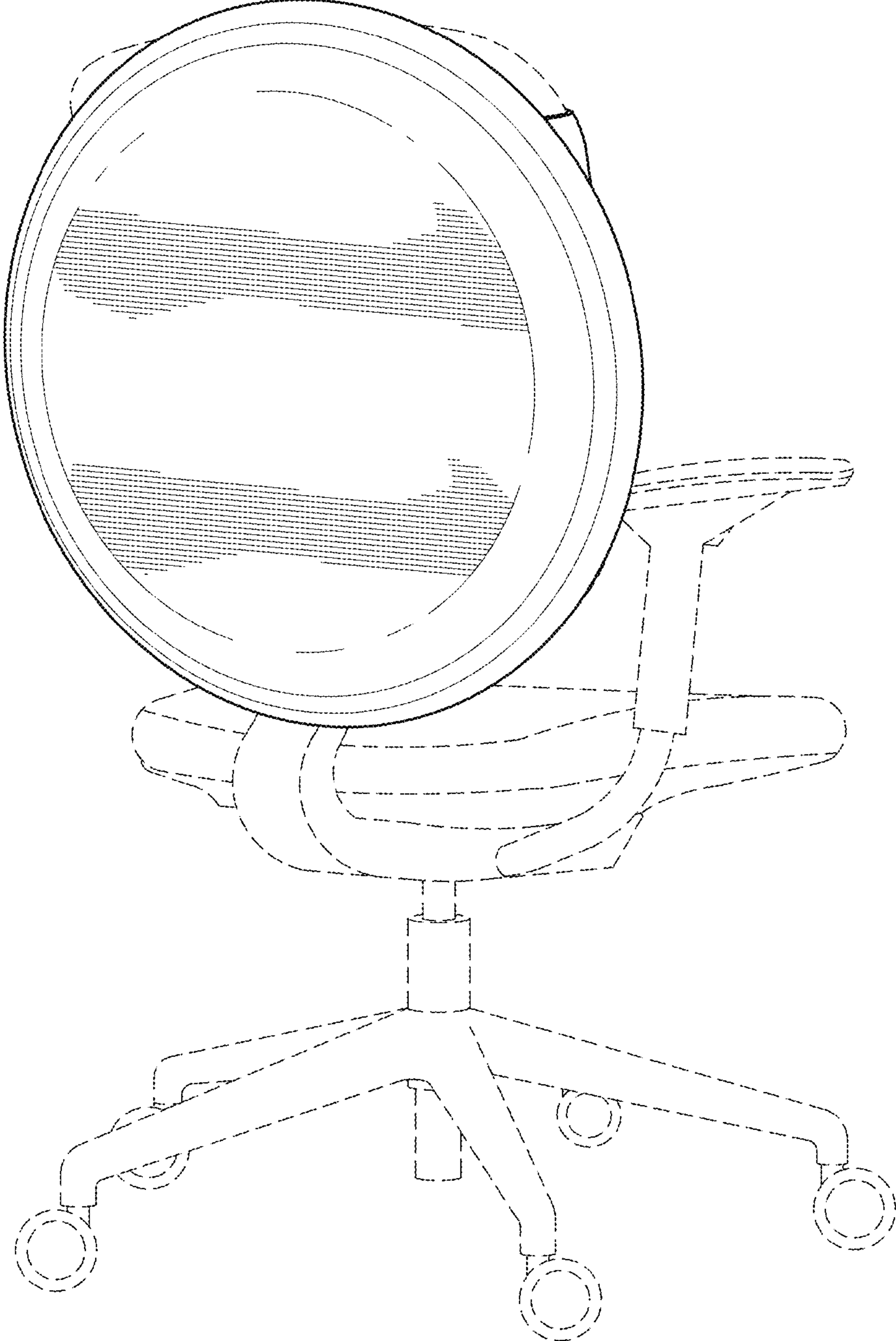


FIG. 3

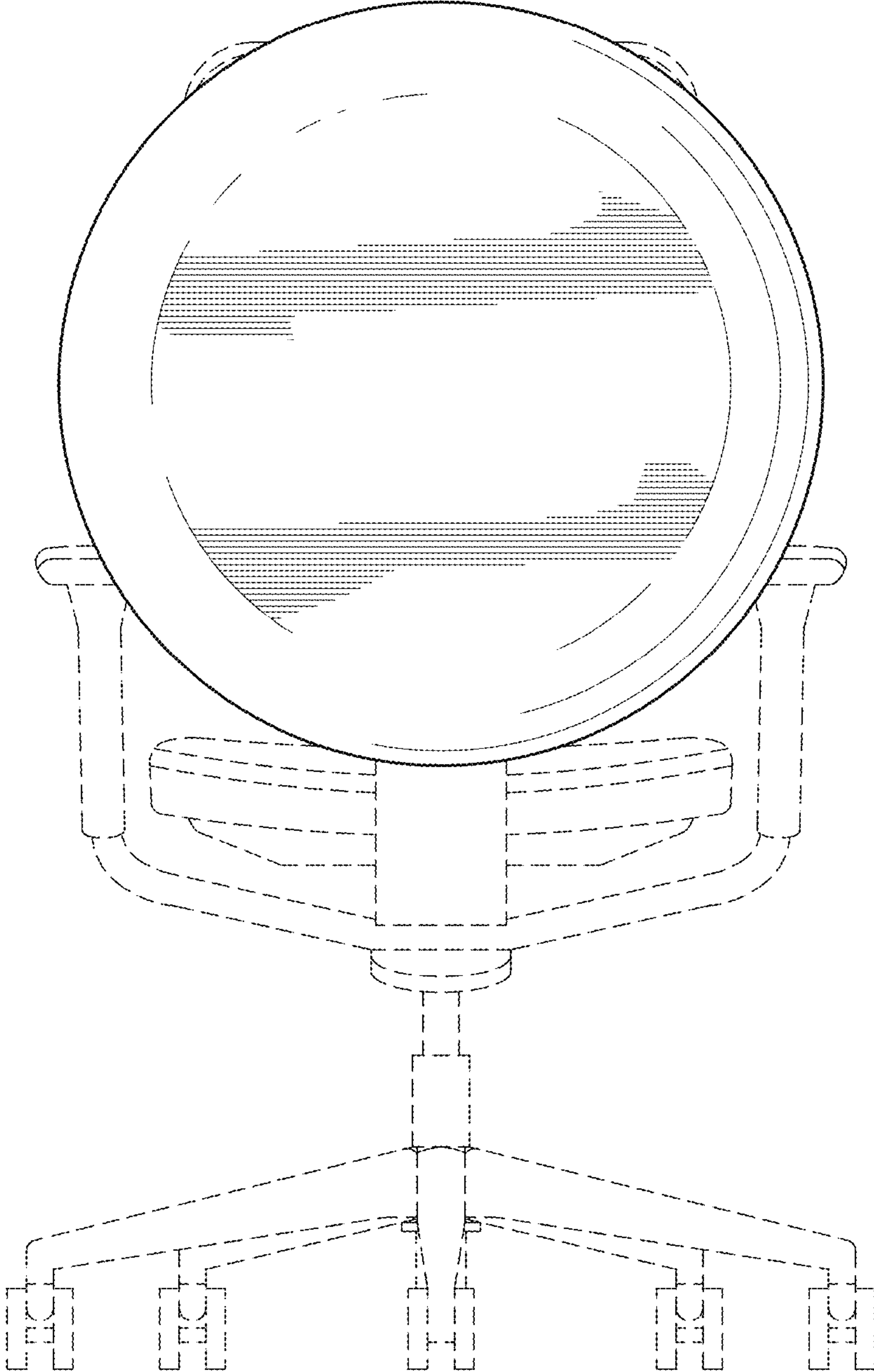


FIG. 4

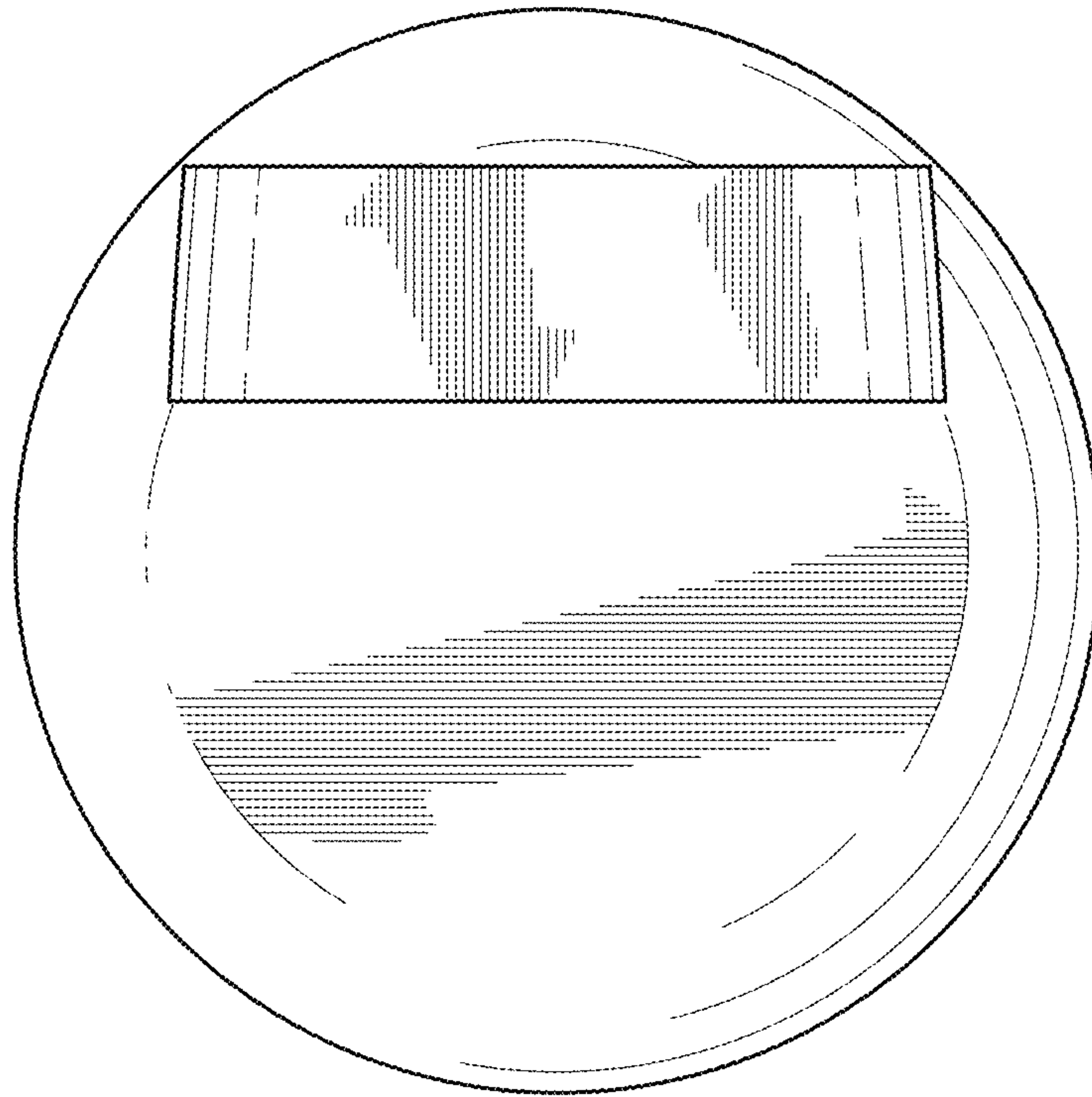


FIG. 5

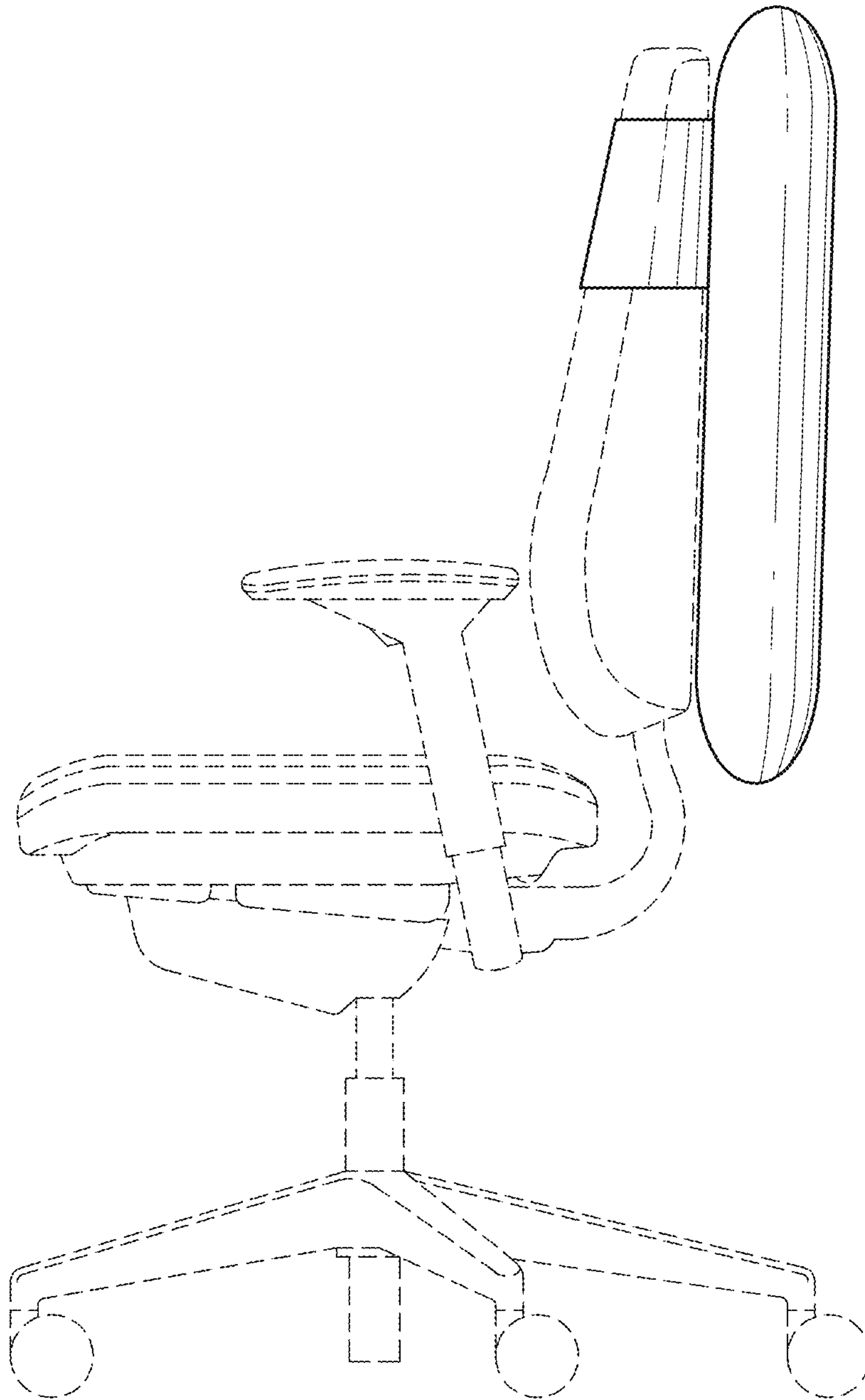


FIG. 6

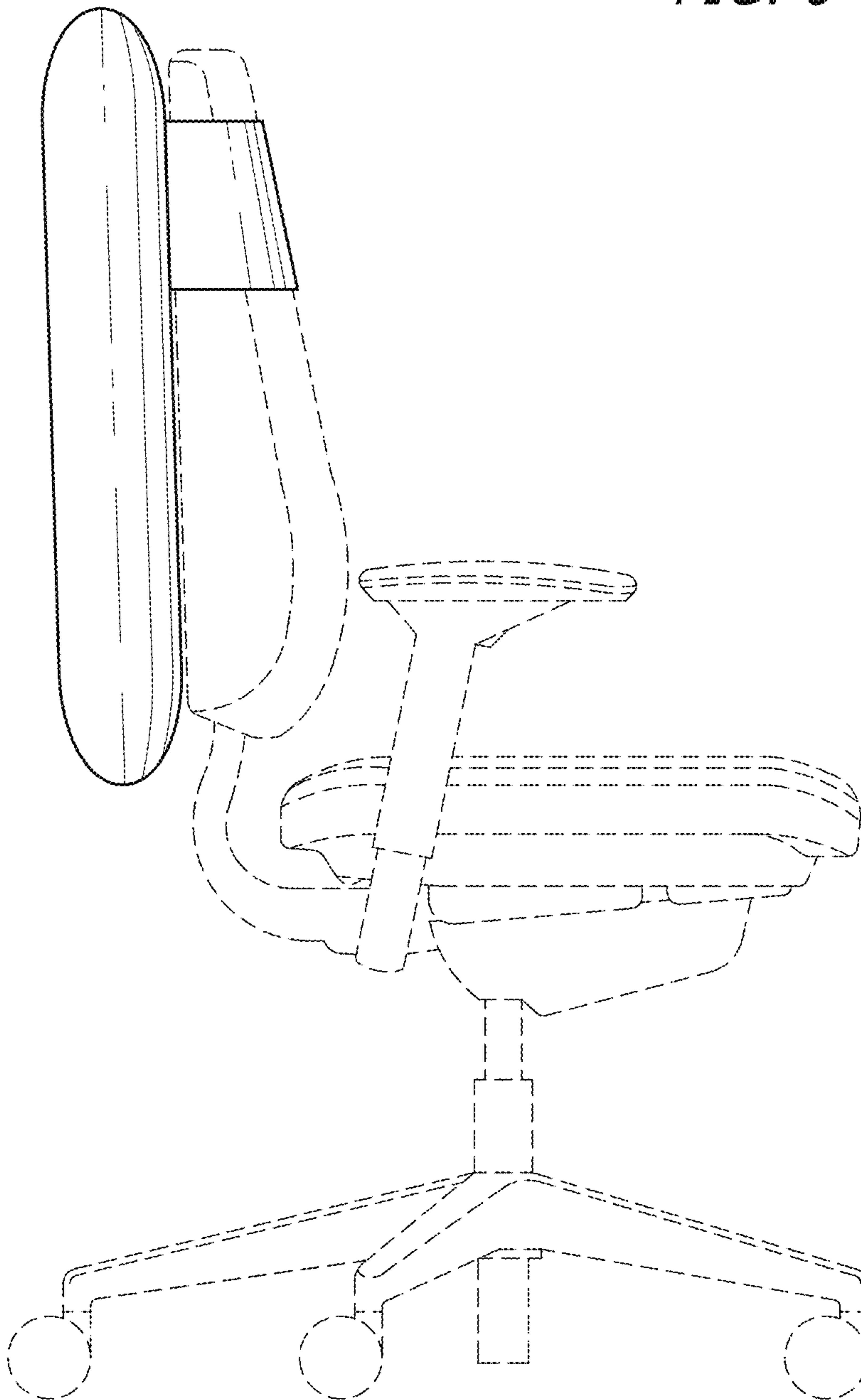


FIG. 7

