



US00D777494S

(12) **United States Design Patent** (10) **Patent No.:** **US D777,494 S**
Prestwich (45) **Date of Patent:** **** Jan. 31, 2017**

(54) **CHAIR FRAME**
(71) Applicant: **Davis Furniture Industries, Inc.**, High Point, NC (US)
(72) Inventor: **Jonathan Prestwich**, London (GB)
(73) Assignee: **Davis Furniture Industries, Inc.**, High Point, NC (US)

8,070,230 B2 12/2011 Krob et al.
D653,467 S * 2/2012 Ballendat D6/366
D654,280 S * 2/2012 Fujita D6/366
D654,291 S * 2/2012 Pearson D6/366
8,297,701 B2 10/2012 Machael et al.
D673,400 S * 1/2013 Chen D6/716.4
D683,979 S * 6/2013 Miller D6/366
D696,055 S * 12/2013 Pearson D6/366
8,777,312 B2 7/2014 Diffrient

(Continued)

(**) Term: **15 Years**

OTHER PUBLICATIONS

(21) Appl. No.: **29/527,936**

Herman Miller Equa 2 Chair, [http://www.hermanmiller.com/content/hermanmiller/northamerica/en_us/home/design-resources/images.html?text=Herman Miller:Products/Equa 2 Chairs](http://www.hermanmiller.com/content/hermanmiller/northamerica/en_us/home/design-resources/images.html?text=Herman+Miller:Products/Equa+2+Chairs), known at least as early as May 21, 2015, last viewed Aug. 20, 2015, 2 pgs.

(Continued)

(22) Filed: **May 22, 2015**

(51) **LOC (10) Cl.** **06-01**

(52) **U.S. Cl.**
USPC **D6/716.4**

(58) **Field of Classification Search**
USPC D6/334-336, 366, 367, 369, 379, 380, D6/716, 716.2, 716.4
CPC A47C 7/54; A47C 7/40; A47C 7/441; A47C 7/022; A47C 7/46; A47C 7/282
See application file for complete search history.

Primary Examiner — Mimoso De
(74) *Attorney, Agent, or Firm* — Womble Carlyle Sandridge & Rice, LLP

(57) **CLAIM**

The ornamental design for a chair frame, as shown and described.

(56) **References Cited**

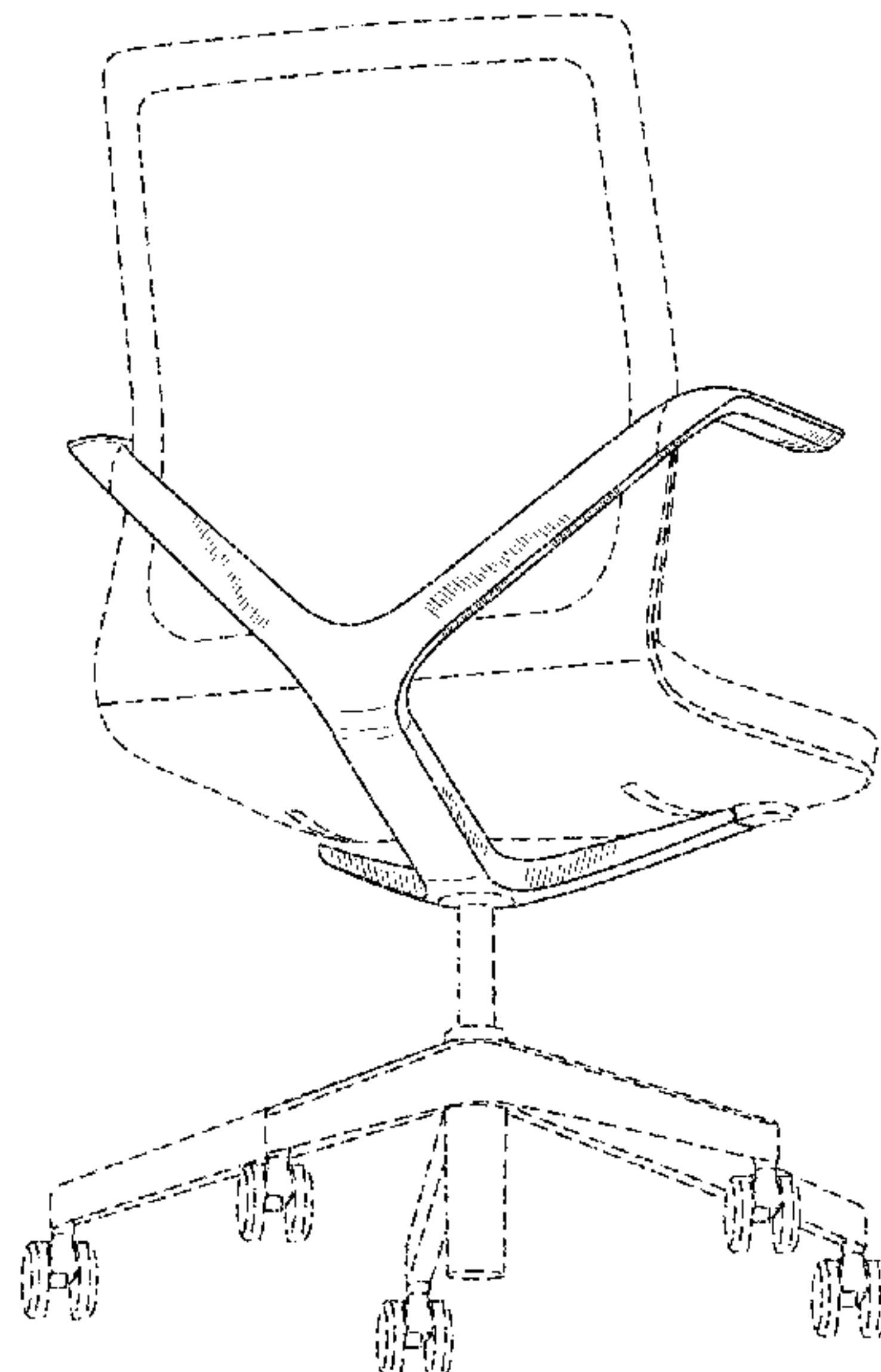
DESCRIPTION

U.S. PATENT DOCUMENTS

4,840,426	A	6/1989	Vogtherr et al.	
5,810,438	A	9/1998	Newhouse	
6,394,549	B1	5/2002	DeKraker et al.	
6,644,741	B2	11/2003	Nelson et al.	
6,709,058	B1	3/2004	Diffrient	
6,959,965	B2	11/2005	Diffrient	
6,969,116	B2	11/2005	Machael et al.	
D547,978	S *	8/2007	Machael	D6/716
D548,992	S *	8/2007	Koepke	D6/366
D558,994	S *	1/2008	Machael	D6/366
7,360,835	B2	4/2008	Tubergen et al.	
7,594,700	B2	9/2009	Stumpf et al.	
7,837,265	B2	11/2010	Machael et al.	
7,841,666	B2	11/2010	Schmitz et al.	

FIG. 1 is a rear perspective view of my new design with environmental elements shown;
FIG. 2 is a left side view of my new design with environmental elements shown;
FIG. 3 is a front right perspective of my new design;
FIG. 4 is a front view of my new design; and,
FIG. 5 is a top view of my new design.
The views not shown form no part of the claimed design. The dashed lines in FIGS. 1, 2, 3 and 5 represent unclaimed elements, including environmental elements, and form no part of the claimed design.

1 Claim, 5 Drawing Sheets



(56)

References Cited

U.S. PATENT DOCUMENTS

D714,069 S * 9/2014 Cvek D6/366
8,888,183 B2 11/2014 Parker et al.
D724,878 S * 3/2015 Tsai D6/716.4
D727,076 S * 4/2015 Usumoto D6/366
D727,079 S * 4/2015 Usumoto D6/716.4
2014/0077555 A1 3/2014 Battey et al.

OTHER PUBLICATIONS

Wilkhahn FS Chair, http://www.wilkhahn.com/en/products/office-swivel-chairs/fs-line/?utm_source=Archiexpo&utm_medium=Product&utm_campaign=Archiexpo&utm_term=FF9AFB550A1D790F2D7A9D2A525862F8&utm_content=07F408583254FAEF35A4846C0472DF0E, known at least as early as May 21, 2015, last viewed Aug. 20, 2015, 1 pg.
Herman Miller Setu, http://www.setuofficechair.co.uk/Setu_Kinematic_Spine.cfm, known at least as early as May 21, 2015, last viewed Aug. 20, 2015, 2 pgs.
Vitra Physix, <http://pure.imm-cologne.com/2013/07/physix-by-vitra-more-than-the-sum-of-its-parts/>, known at least as early as May 21, 2015, last viewed Aug. 20, 2015, 3 pgs.
Allsteel Clarity, <http://www.allsteeloffice.com/products/seating/multi-purpose/clarity#tab=Media>, known at least as early as May 21, 2015, last viewed Aug. 20, 2015, 1 pg.
Wilkhahn Picto, <http://ecodesign.lboro.ac.uk/index.php?section=158>, known at least as early as May 21, 2015, last viewed Aug. 20, 2015, 2 pgs.

* cited by examiner

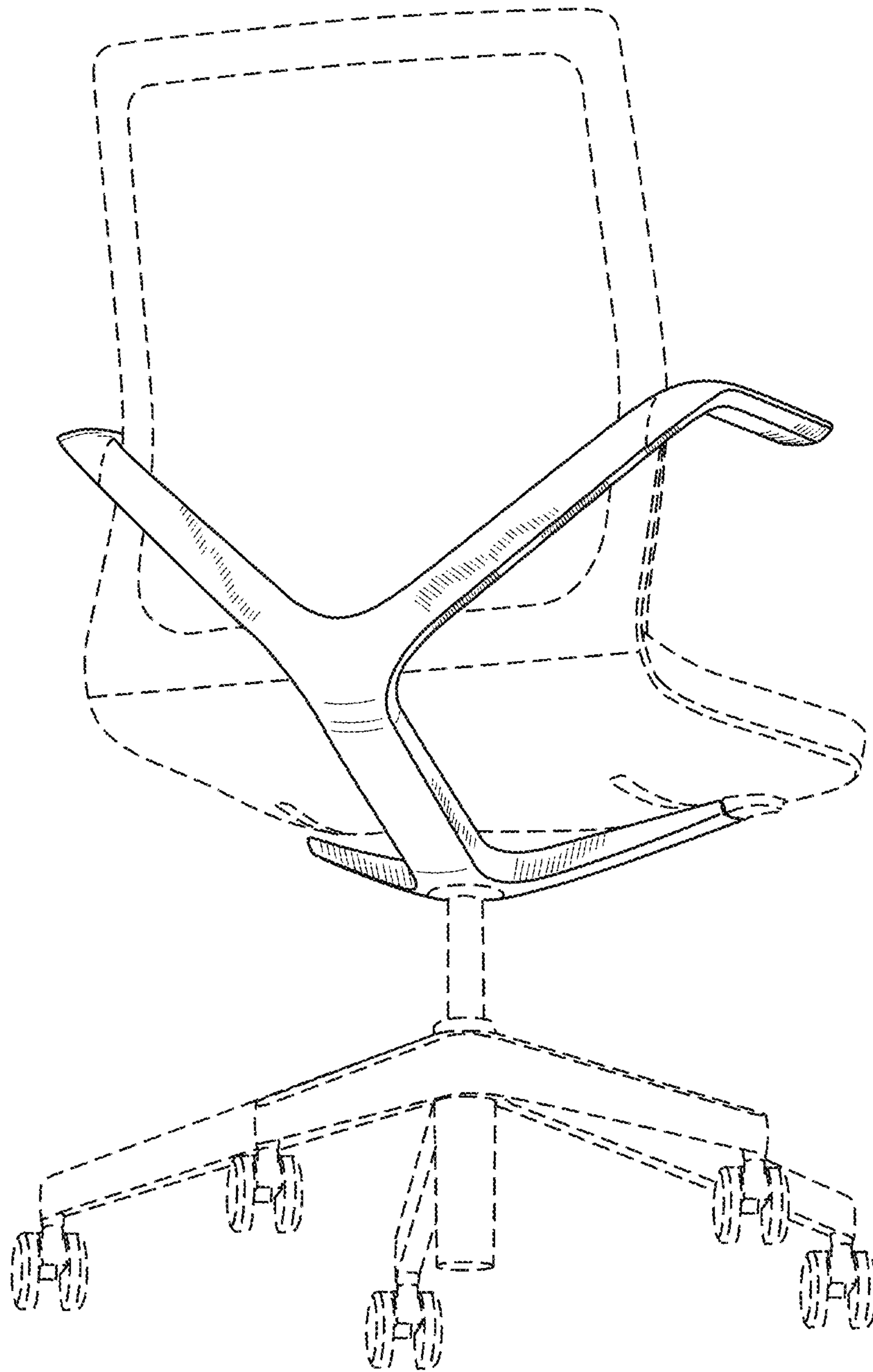


FIG. 1

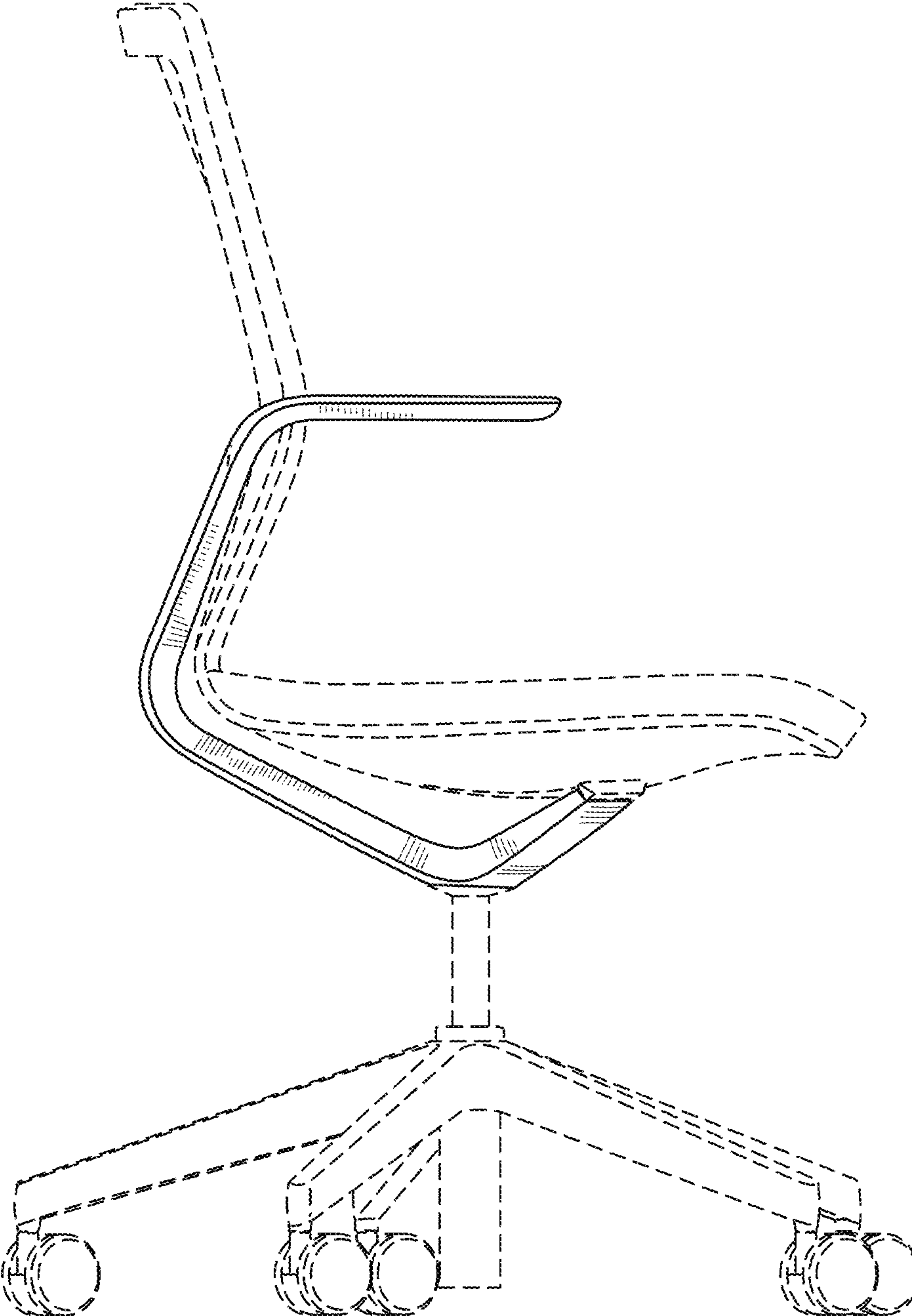


FIG. 2

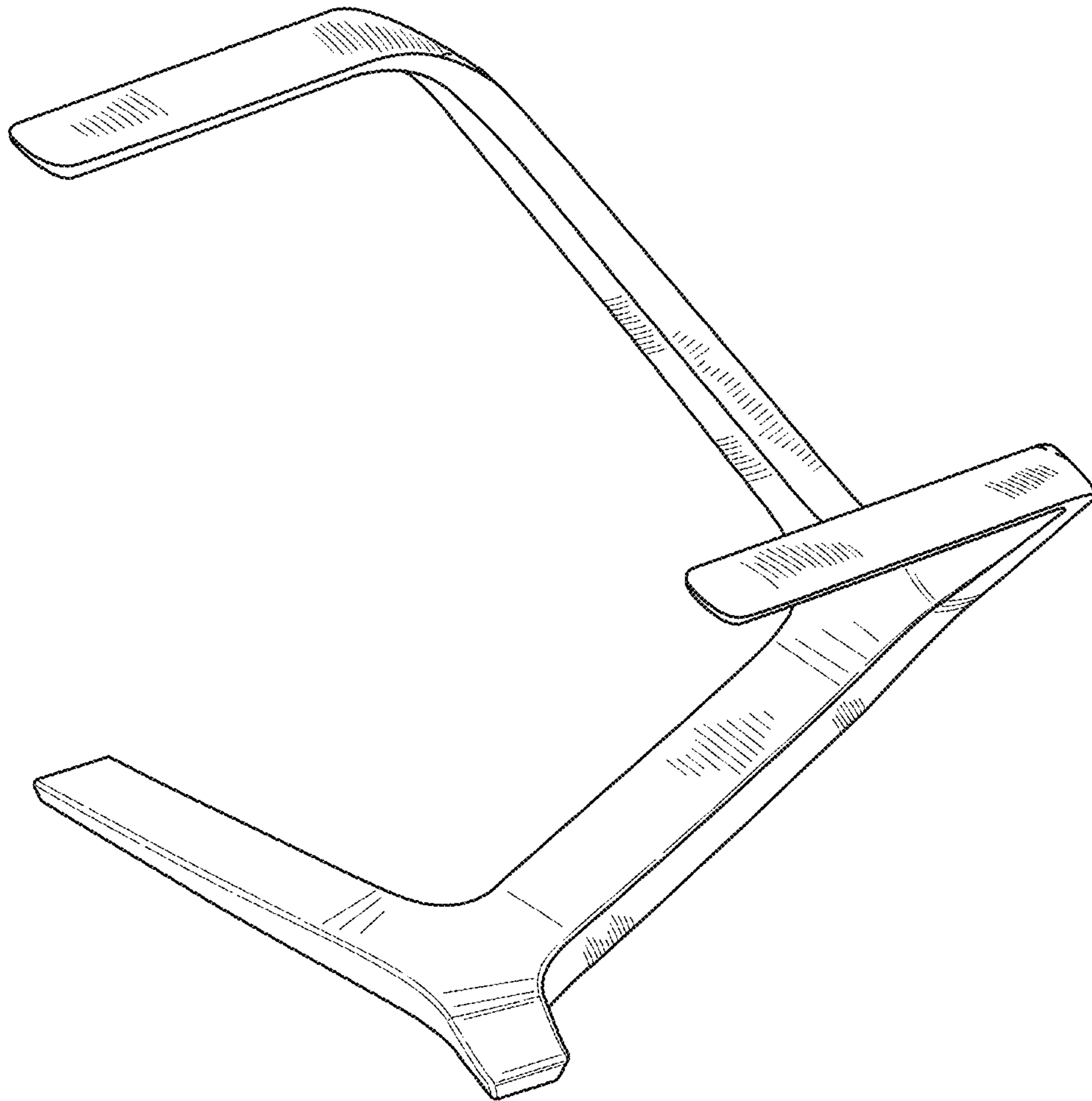


FIG. 3

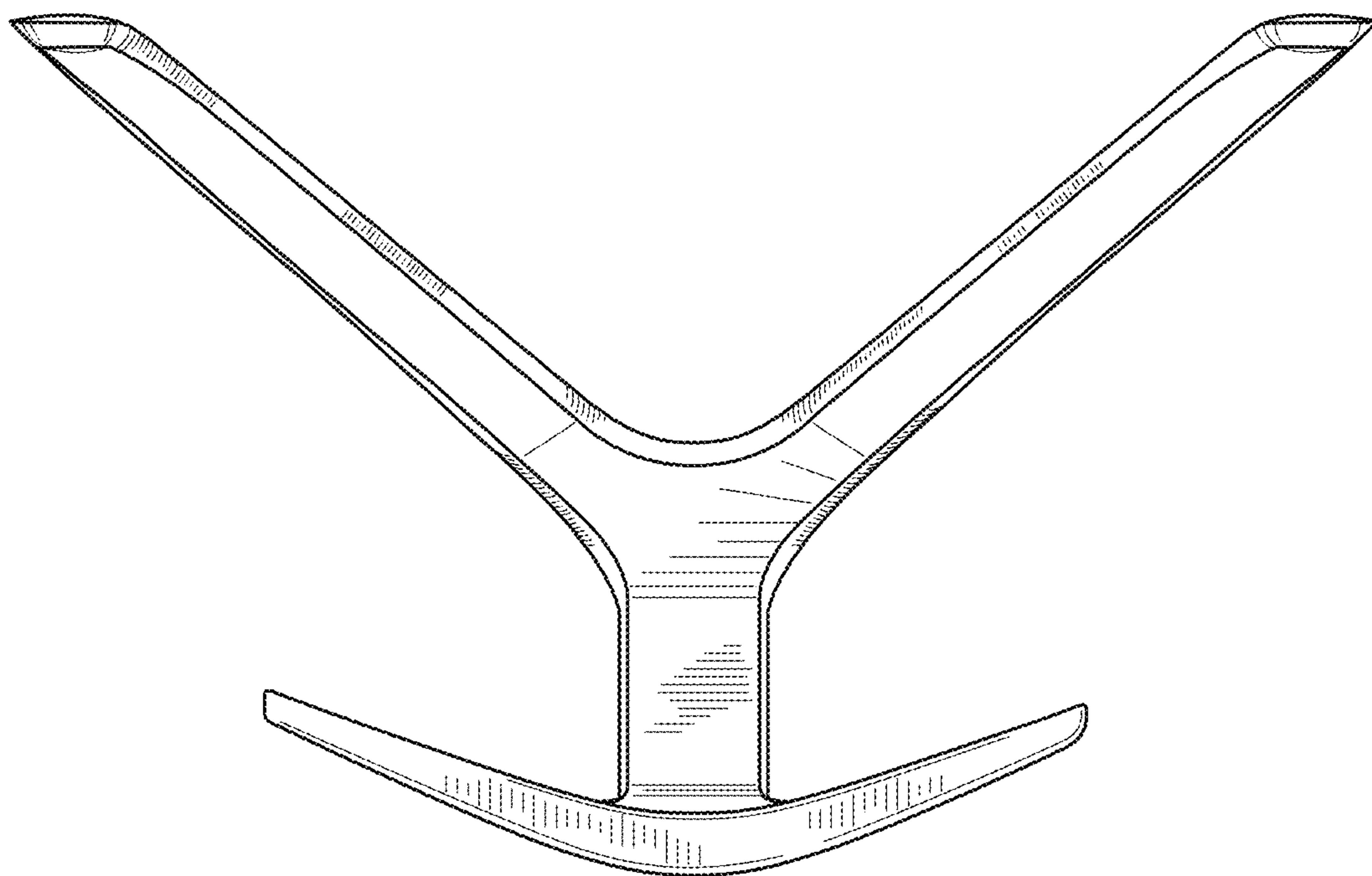


FIG. 4

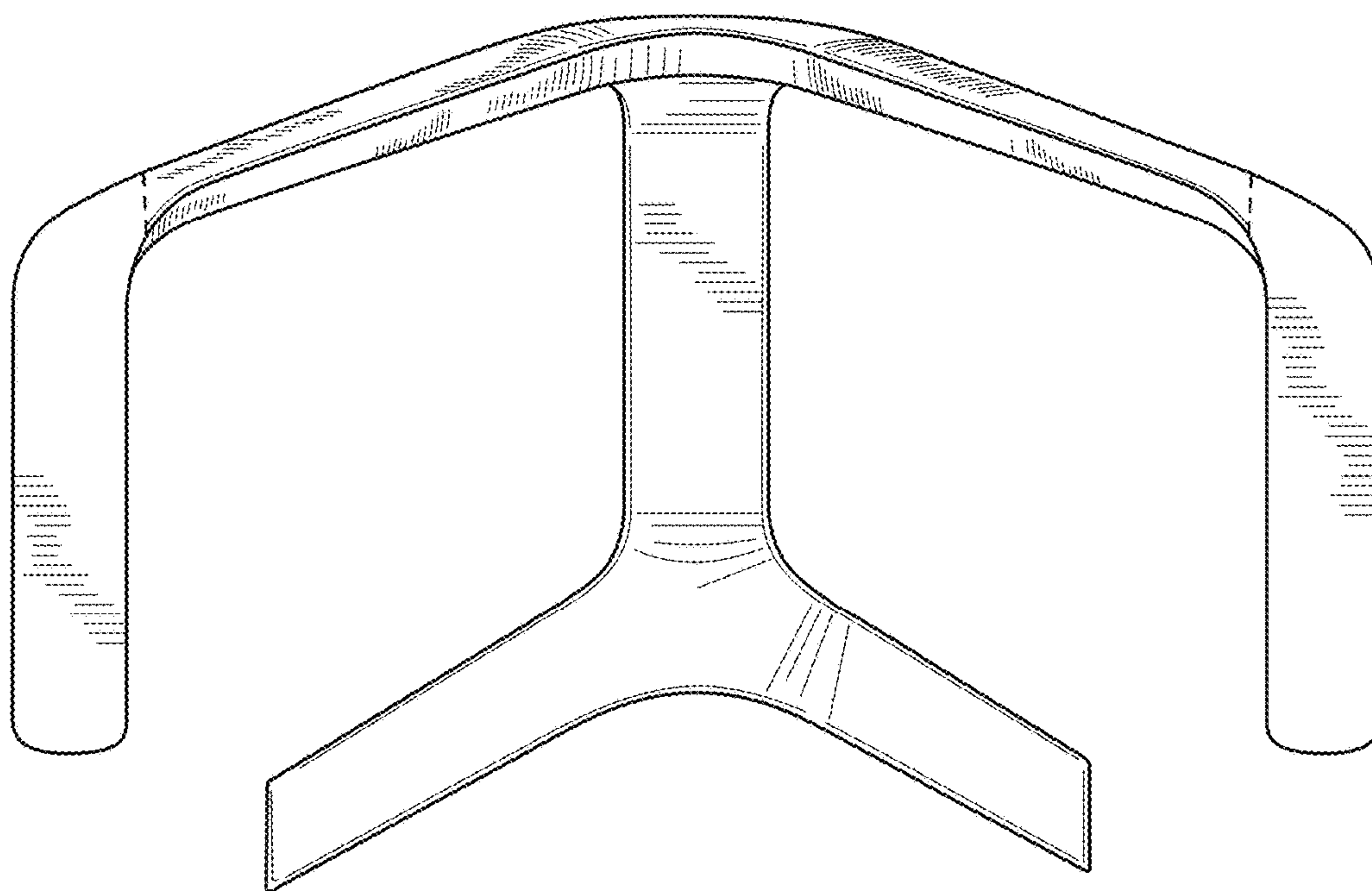


FIG. 5