



US00D777492S

(12) **United States Design Patent** (10) **Patent No.:** **US D777,492 S**
Muller (45) **Date of Patent:** **** Jan. 31, 2017**

(54) **TABLE**
(71) Applicant: **Elite Manufacturing Corporation,**
Santa Fe Springs, CA (US)
(72) Inventor: **Carl Muller,** Huntington Beach, CA
(US)

D566,997 S * 4/2008 Muller D6/708
D665,602 S * 8/2012 Muller D6/708
D666,849 S * 9/2012 Muller D6/708
D666,850 S * 9/2012 Muller D6/708
D675,847 S * 2/2013 Mehran D6/691
D766,635 S * 9/2016 Muller D6/708.17
D770,208 S * 11/2016 Muller D6/708

(73) Assignee: **Elite Manufacturing Corporation,**
Santa Fe Springs, CA (US)

OTHER PUBLICATIONS

Regal Dining Chair. [online] Published date unknown. Retrieved on
Sep. 30, 2016 from <URL: [http://www.contemporaryfurniture.com/
shop/dining-rooms-12/regal-dining-chair-10167/](http://www.contemporaryfurniture.com/shop/dining-rooms-12/regal-dining-chair-10167/)>.*

(**) Term: **14 Years**

* cited by examiner

(21) Appl. No.: **29/514,012**

(22) Filed: **Jan. 7, 2015**

Primary Examiner — Vy Koenig

(51) **LOC (10) Cl.** **06-06**

Assistant Examiner — Omeed Agilee

(52) **U.S. Cl.**
USPC **D6/708.23**

(74) *Attorney, Agent, or Firm* — Stetina Brunda Garred &
Brucker

(58) **Field of Classification Search**
USPC D6/352, 368, 689, 691, 691.3, 691.4,
D6/692.3, 692.4, 693.1, 695, 695.2,
D6/695.4, 696.1, 696.3, 697.1, 707.22,
D6/708, 708.15, 708.16, 708.17, 708.2;
D11/4, 131, 152; D26/110, 142; D32/37
CPC ... A47B 13/02; A47B 2200/0011; A47B 7/00;
A47B 7/02

(57) **CLAIM**

The ornamental design for a table, as shown and described.

See application file for complete search history.

DESCRIPTION

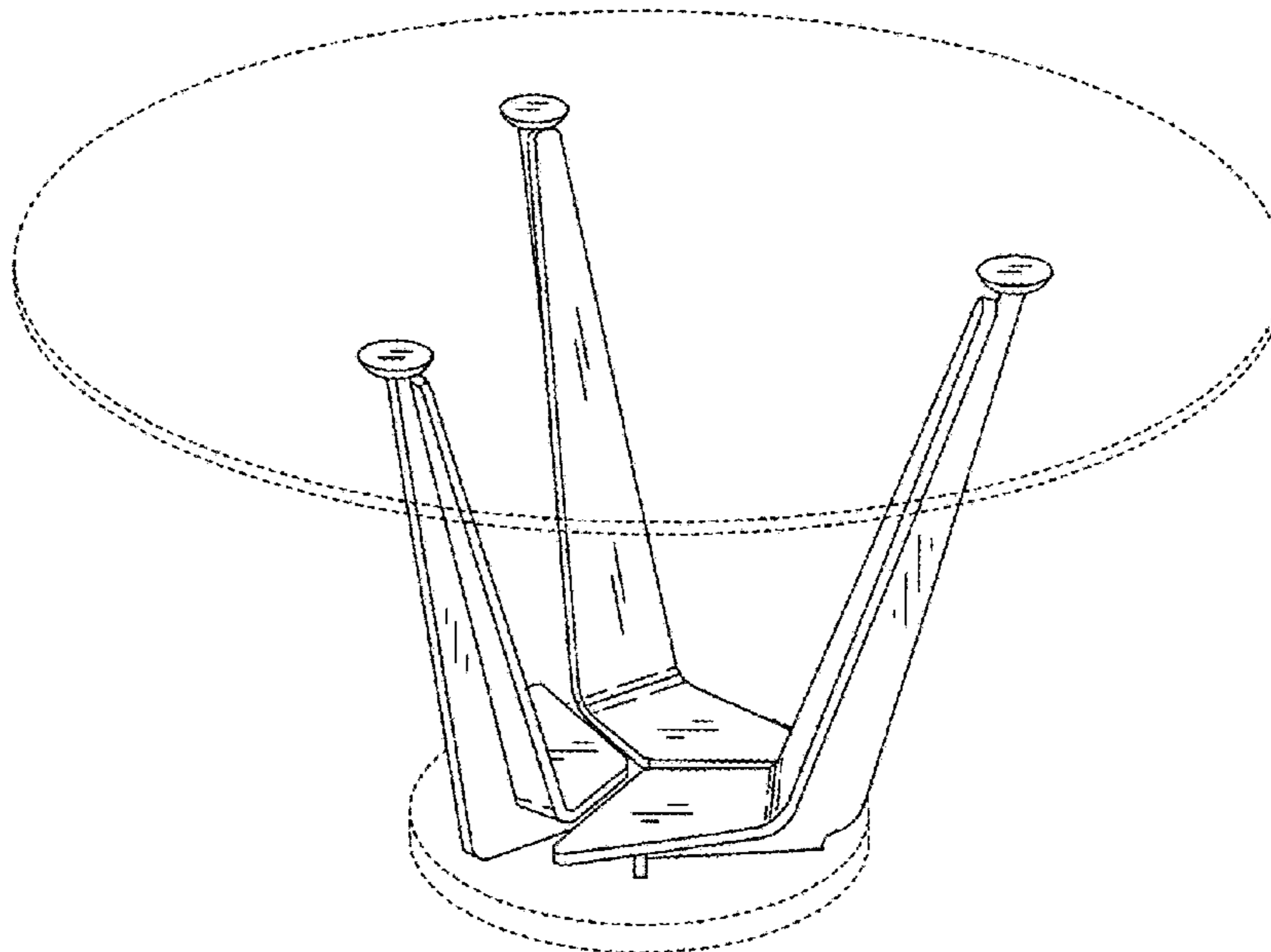
FIG. 1 is a front and top perspective view of the table
showing my new design;
FIG. 2 is a top plan view thereof;
FIG. 3 is a front elevational view thereof;
FIG. 4 is a bottom plan view thereof; and,
FIG. 5 is a side elevational view thereof.
The broken lines shown in the drawings depict environmen-
tal subject matter and form no part of the claimed design.

(56) **References Cited**

U.S. PATENT DOCUMENTS

D282,320 S * 1/1986 Anderson D16/244
D481,566 S * 11/2003 Weaver D6/708.16
D541,560 S * 5/2007 Muller D6/708
D545,087 S * 6/2007 Muller D6/708

1 Claim, 3 Drawing Sheets



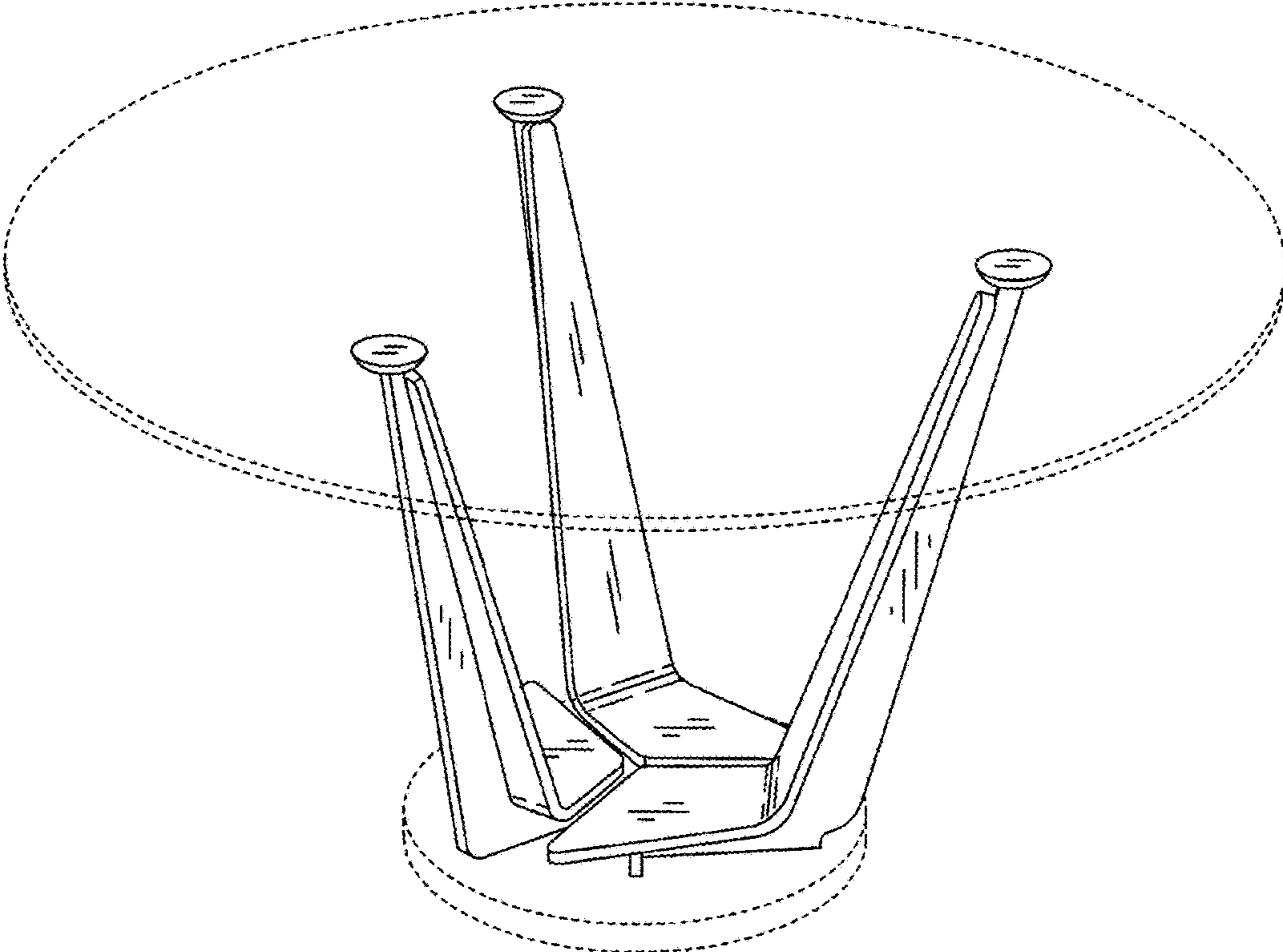


FIG. 1

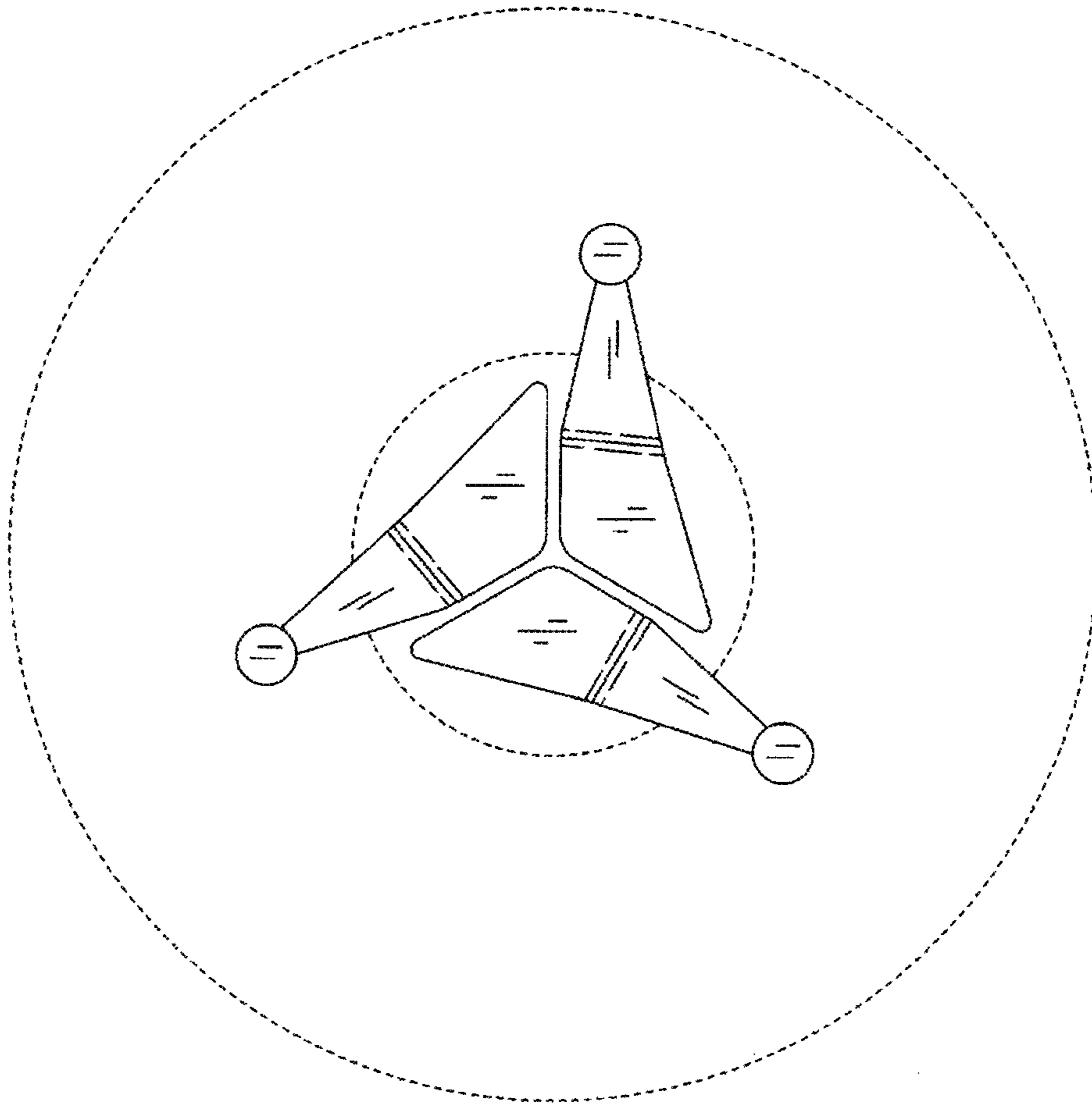


FIG. 2

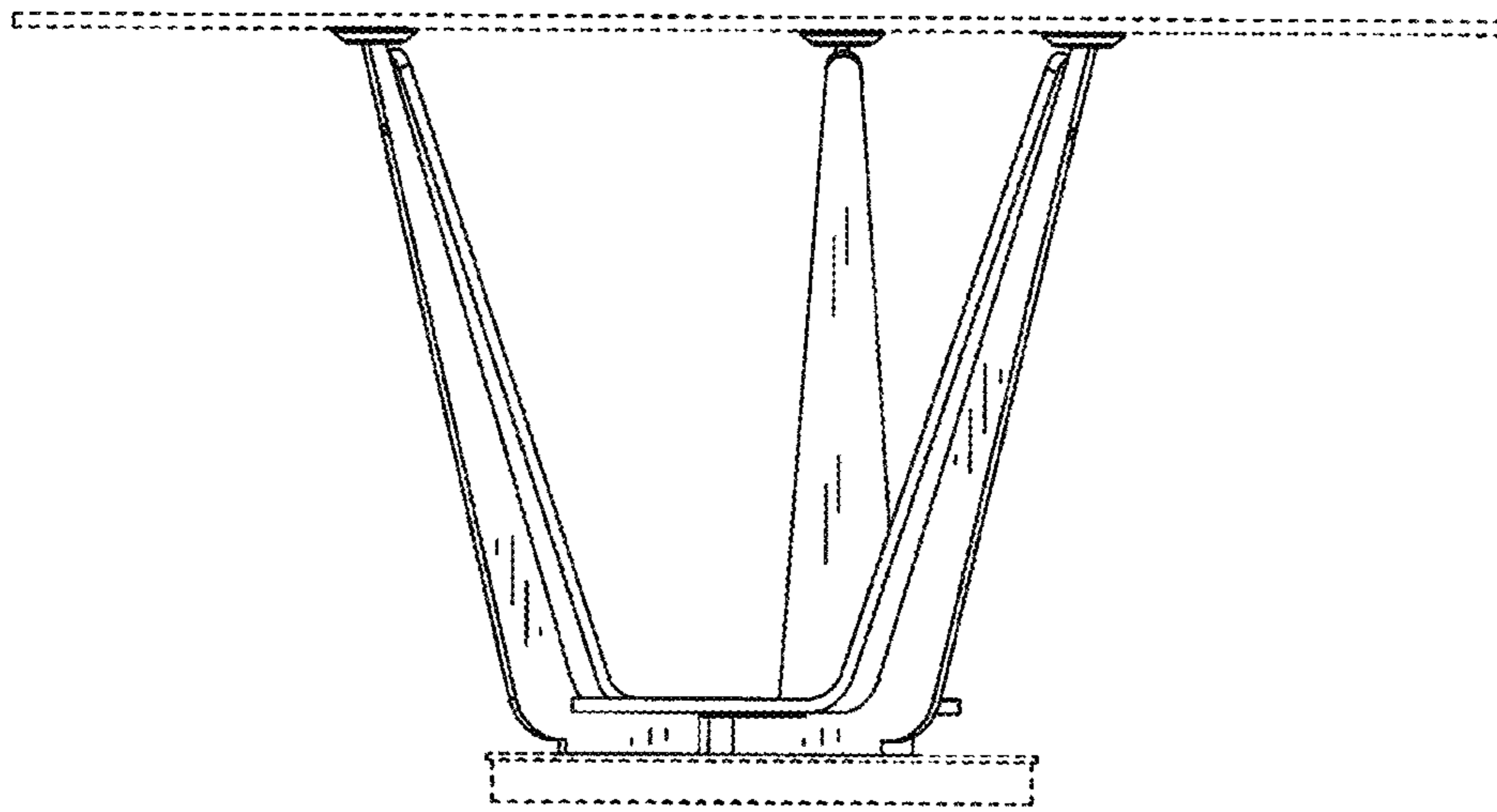


FIG. 3

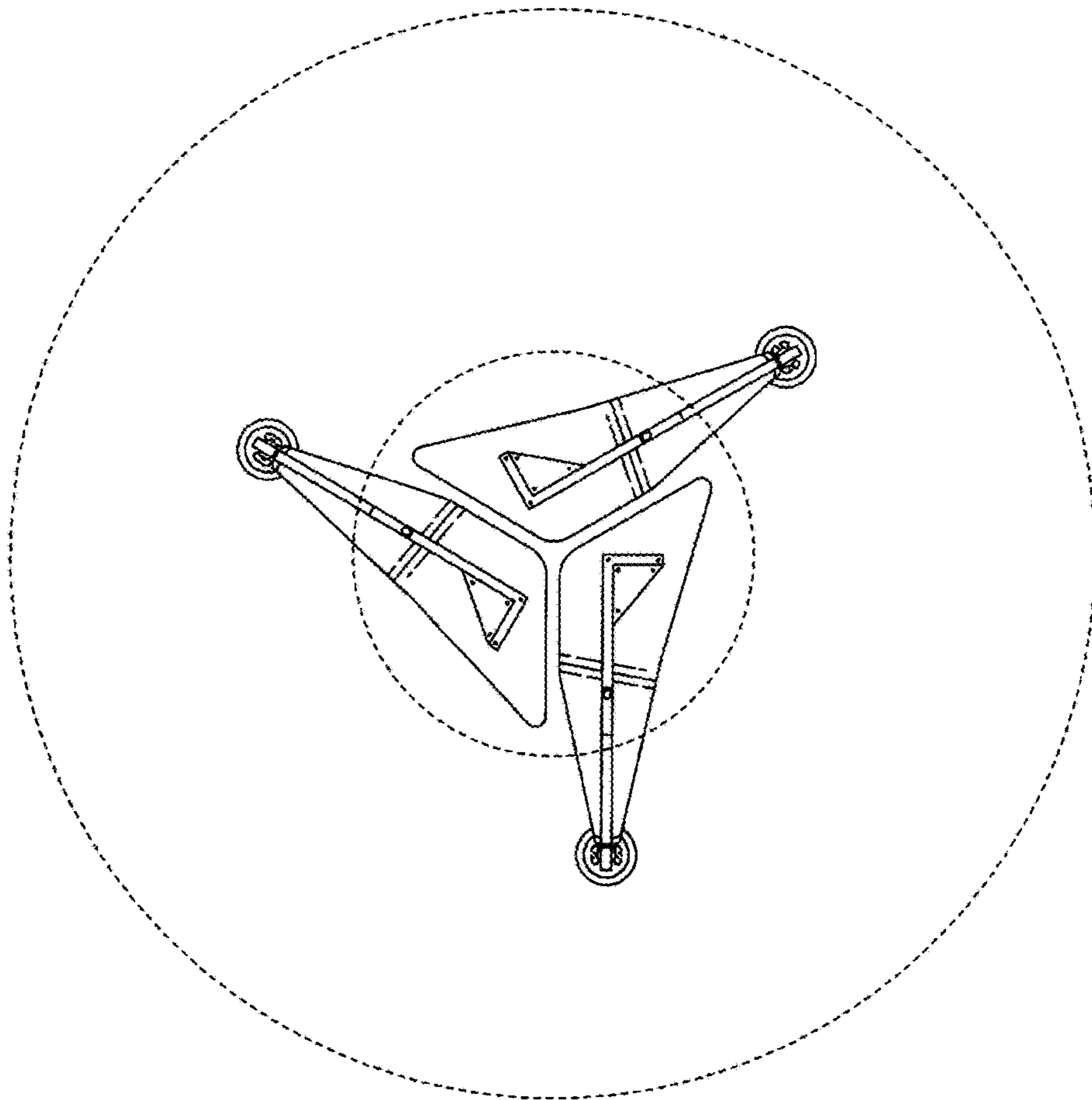


FIG. 4

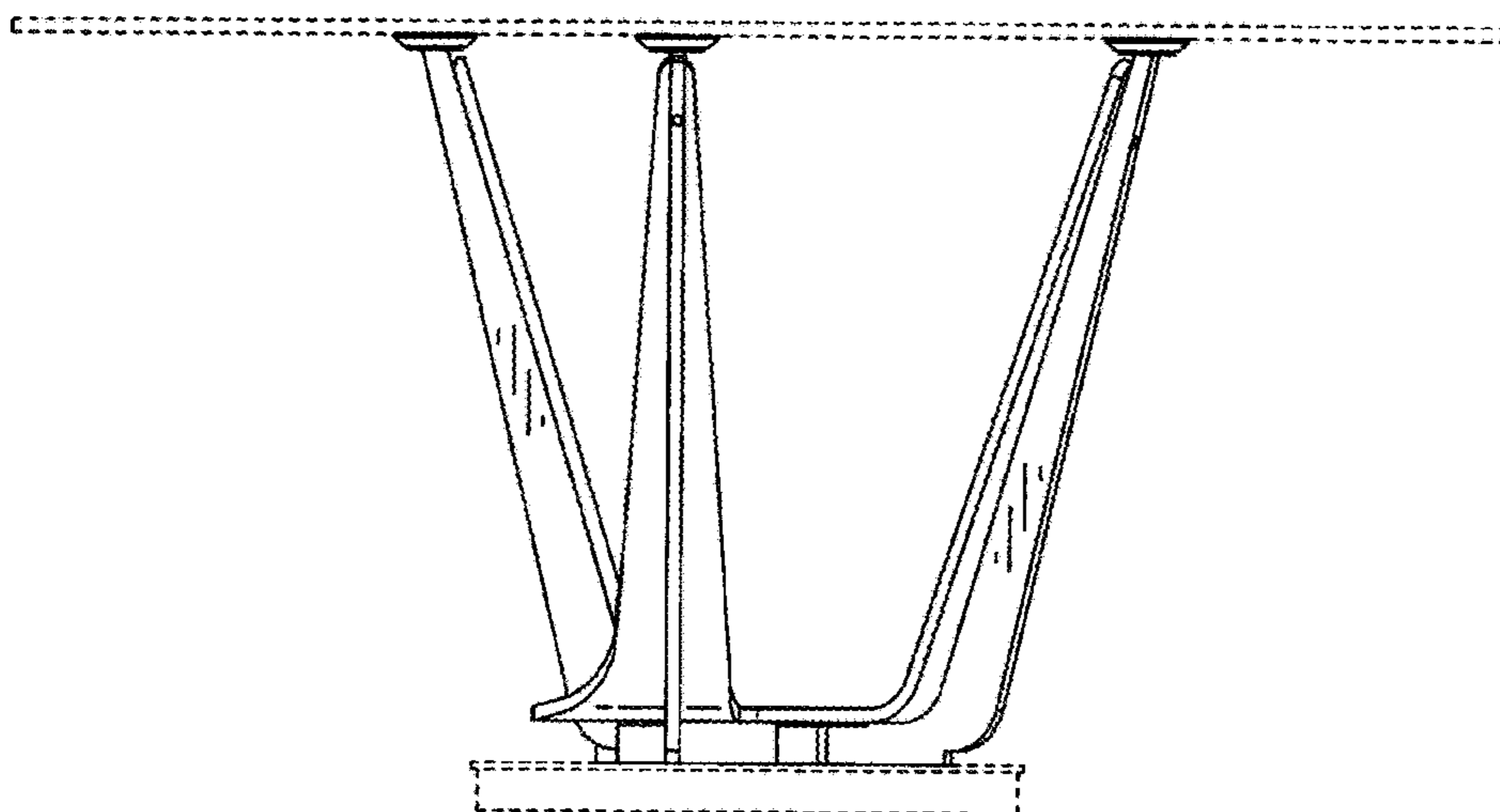


FIG. 5