



US00D777491S

(12) **United States Design Patent**
Brooks

(10) **Patent No.:** **US D777,491 S**

(45) **Date of Patent:** **** Jan. 31, 2017**

- (54) **WIDTH VARIABLE SHELF WITH ELONGATED MESSAGE TRACK**
- (71) Applicant: **Christopher Brooks**, Cumberland, RI (US)
- (72) Inventor: **Christopher Brooks**, Cumberland, RI (US)
- (73) Assignee: **Plastics Plus Inc.**, Cumberland, RI (US)
- (**) Term: **14 Years**
- (21) Appl. No.: **29/474,732**
- (22) Filed: **Jan. 21, 2015**
- (51) **LOC (10) Cl.** **06-06**
- (52) **U.S. Cl.**
USPC **D6/705.7**
- (58) **Field of Classification Search**
USPC D6/705.7, 705, 705.1, 705.2, 705.4, D6/705.5, 705.6
CPC A47B 57/00; A47B 57/20; A47B 57/08; A47B 57/16; A47B 57/22; A47B 45/00; A47F 5/01
See application file for complete search history.

- D341,967 S * 12/1993 Cohn D6/705.7
- D375,857 S * 11/1996 De Blois D6/705.7
- D383,339 S * 9/1997 Grosfillex D6/705.7
- D385,444 S * 10/1997 Welch D6/705.7
- 6,526,897 B1 * 3/2003 Ondrasik A47F 5/01
108/107
- 7,246,711 B1 * 7/2007 Metcalf A47B 45/00
211/106.01
- D588,839 S * 3/2009 Klein D6/705.6
- D593,347 S * 6/2009 Kilpatrick D6/704

* cited by examiner

Primary Examiner — Susan Bennett Hattan

Assistant Examiner — Rebecca Tsehaye

(74) *Attorney, Agent, or Firm* — Robert J Doherty

(57) **CLAIM**

The ornamental design for a width variable shelf with elongated message track, as shown and described.

DESCRIPTION

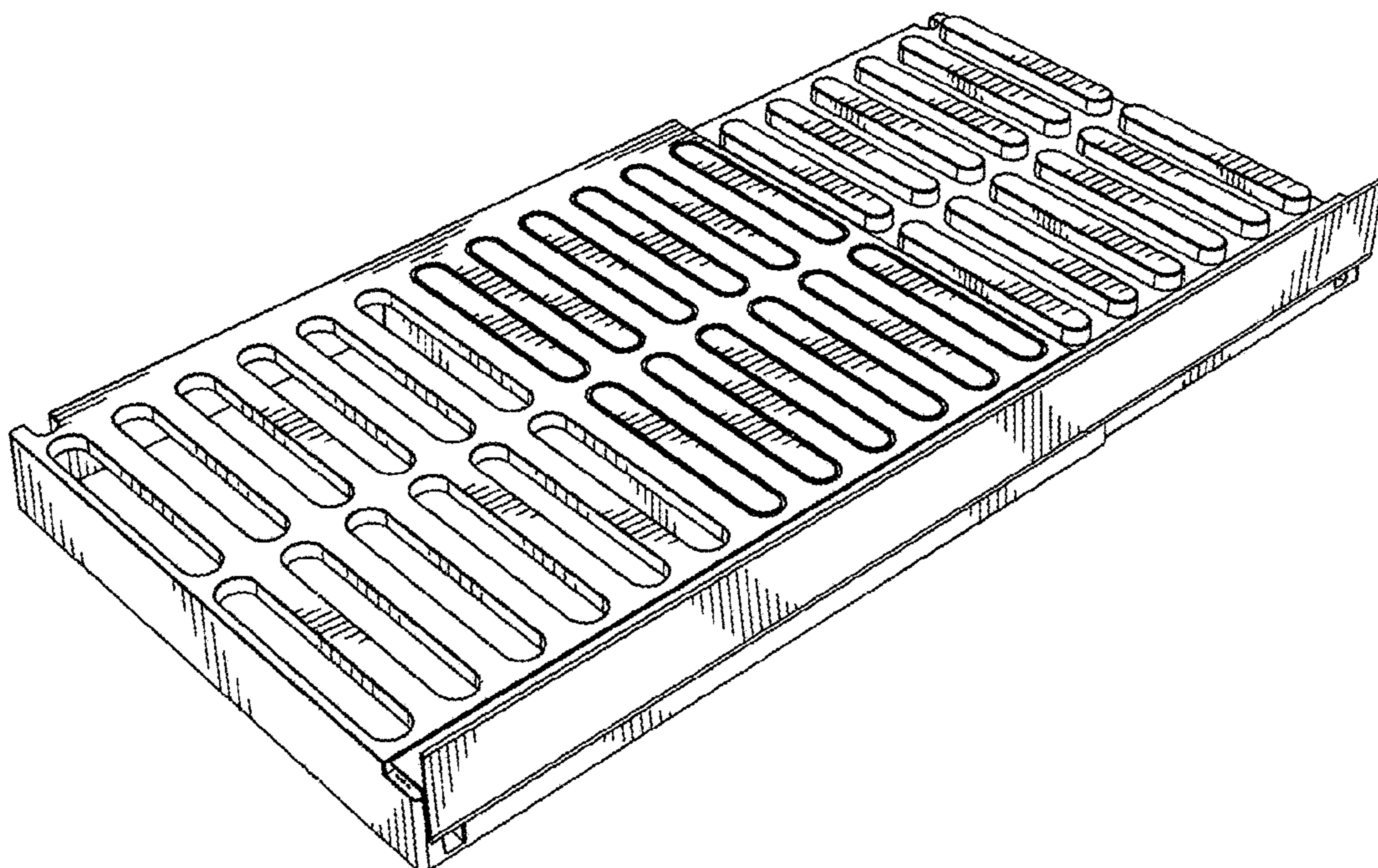
FIG. 1 is a left front perspective view of a width variable shelf with elongated message track showing my new design; FIG. 2 is a right front perspective view of FIG. 1; FIG. 3 is a top plan view of FIG. 1; FIG. 4 is a bottom plan view of FIG. 1; FIG. 5 is a rear elevation view of FIG. 1; FIG. 6 is a front elevation view of FIG. 1; FIG. 7 is a left side elevation view of FIG. 1; and, FIG. 8 is a right side elevation view of FIG. 1. The broken lines depict a portion of the width variable shelf with elongated message track that forms no part of the claimed design.

1 Claim, 6 Drawing Sheets

(56) **References Cited**

U.S. PATENT DOCUMENTS

- D241,297 S * 9/1976 Maslow D25/155
- D312,545 S * 12/1990 Cohn D30/120
- D338,792 S * 8/1993 Chap D30/120



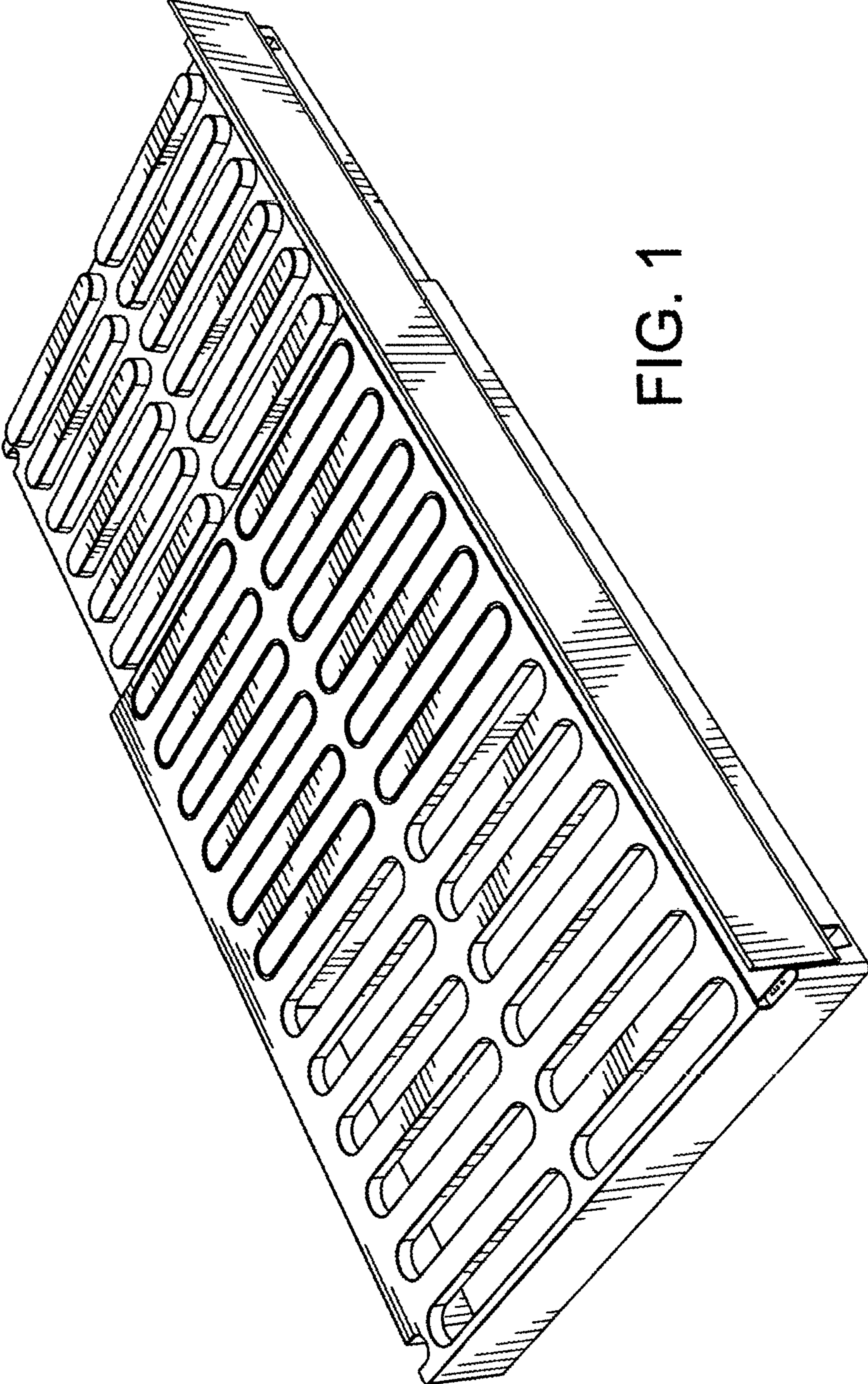


FIG. 1

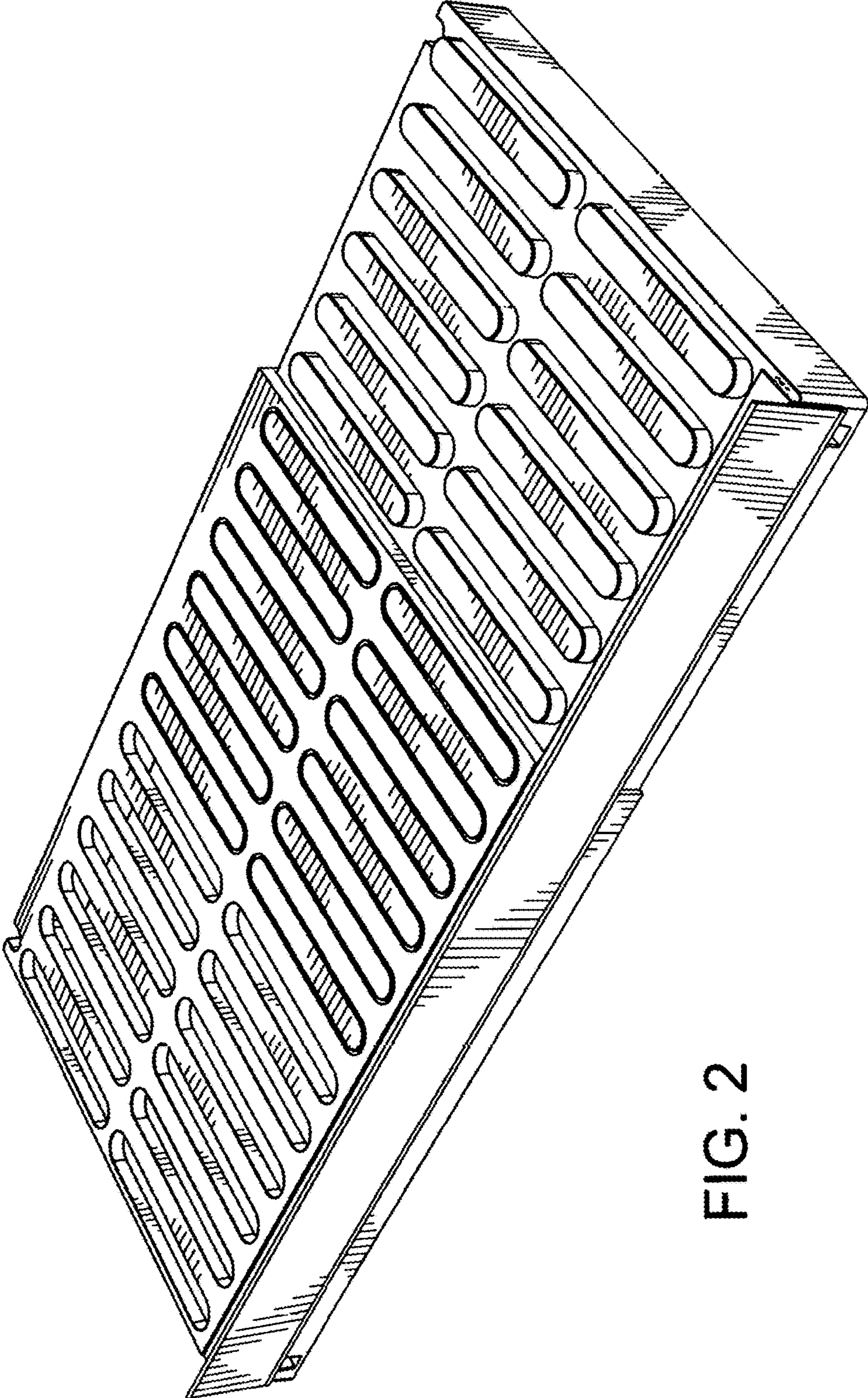


FIG. 2

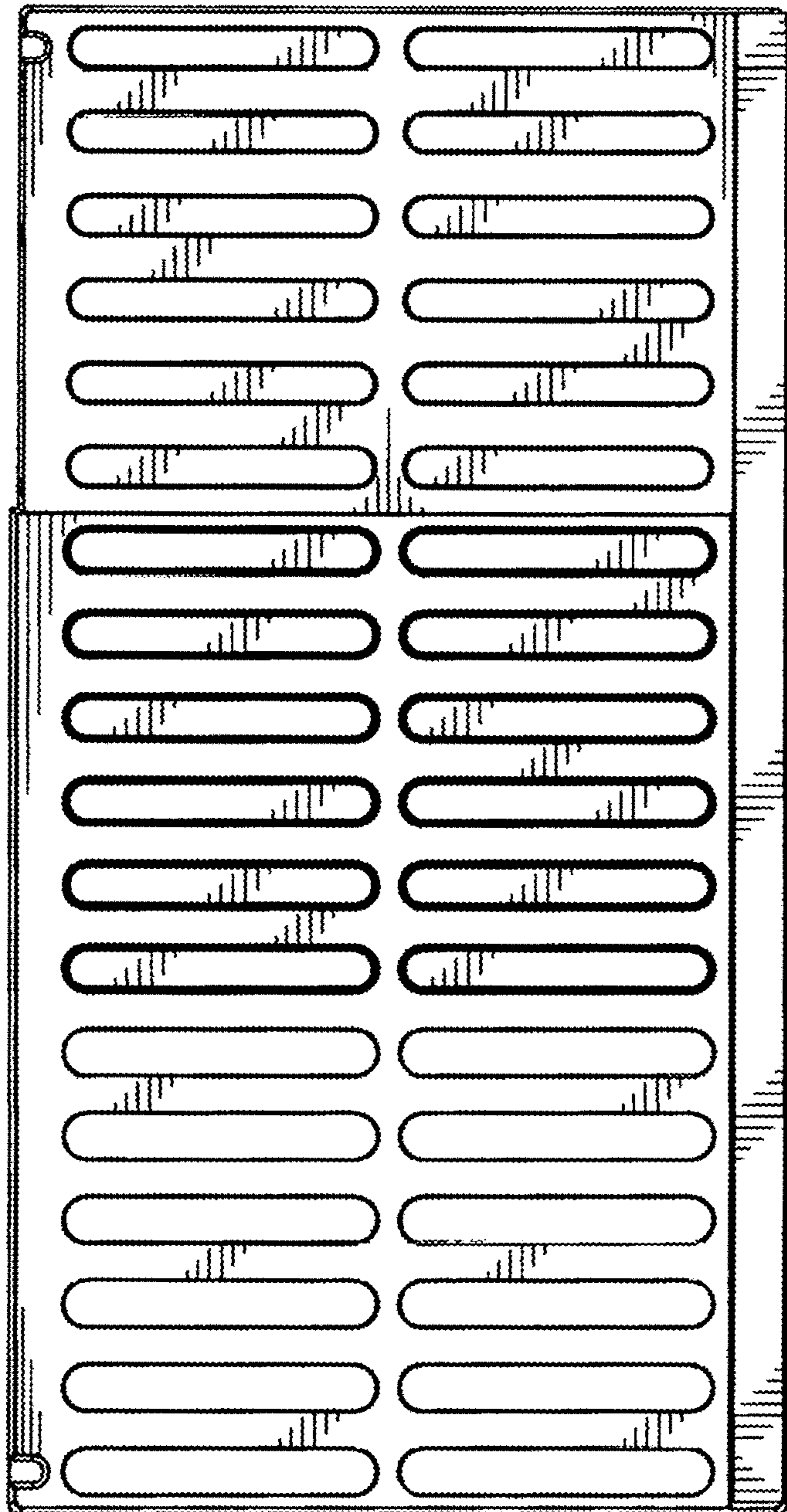


FIG. 3

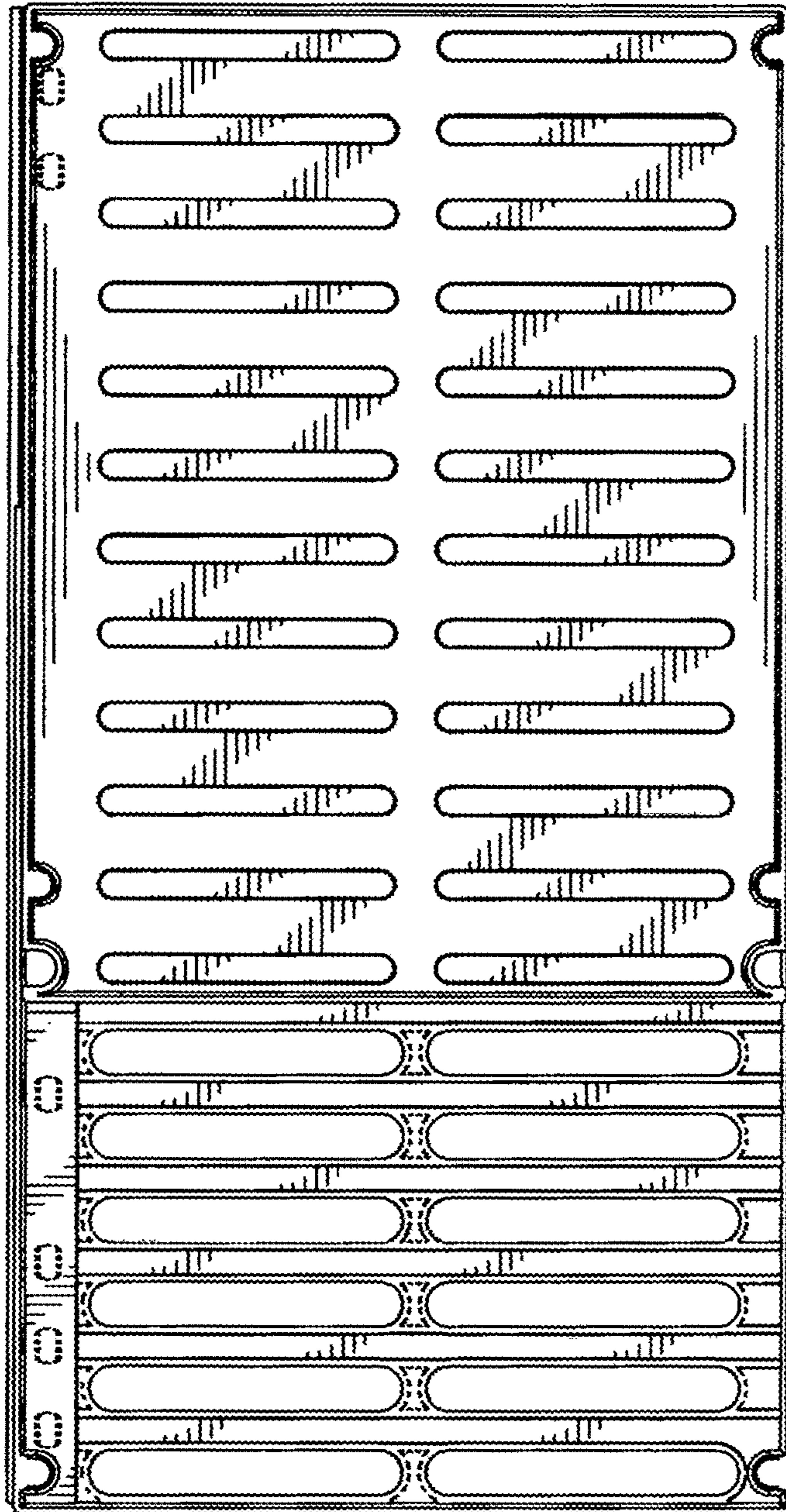


FIG. 4

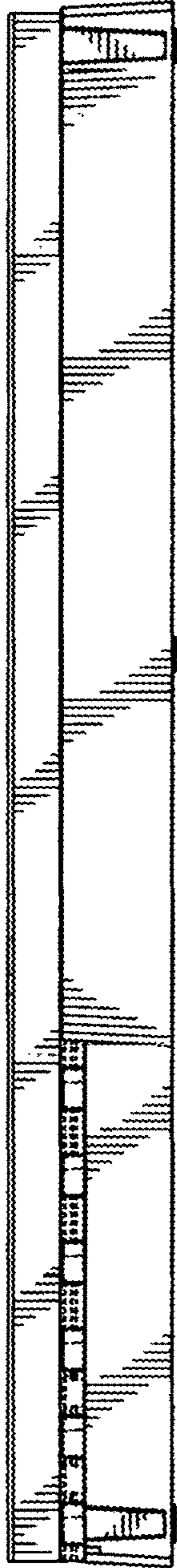


FIG. 5

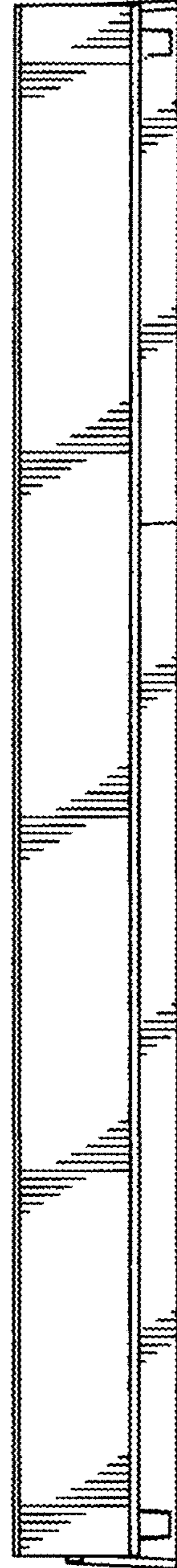


FIG. 6

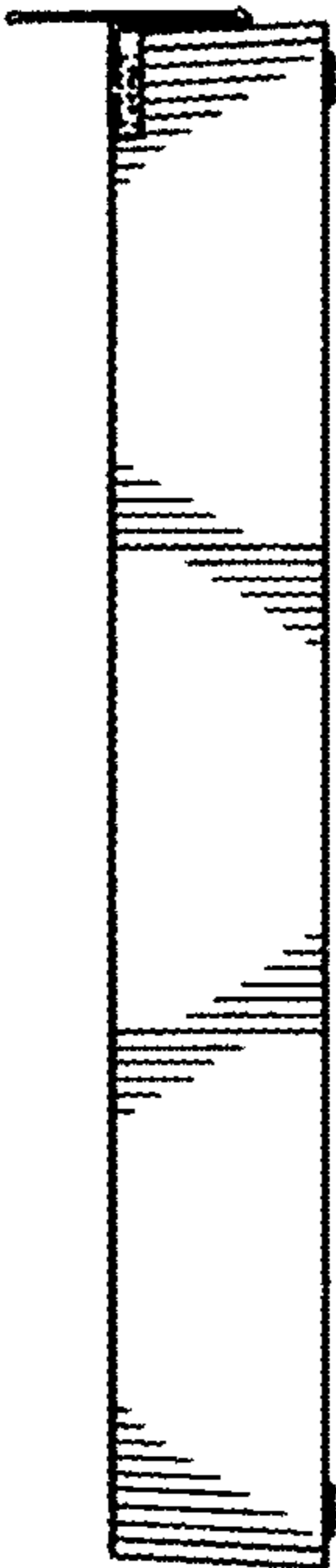


FIG. 7

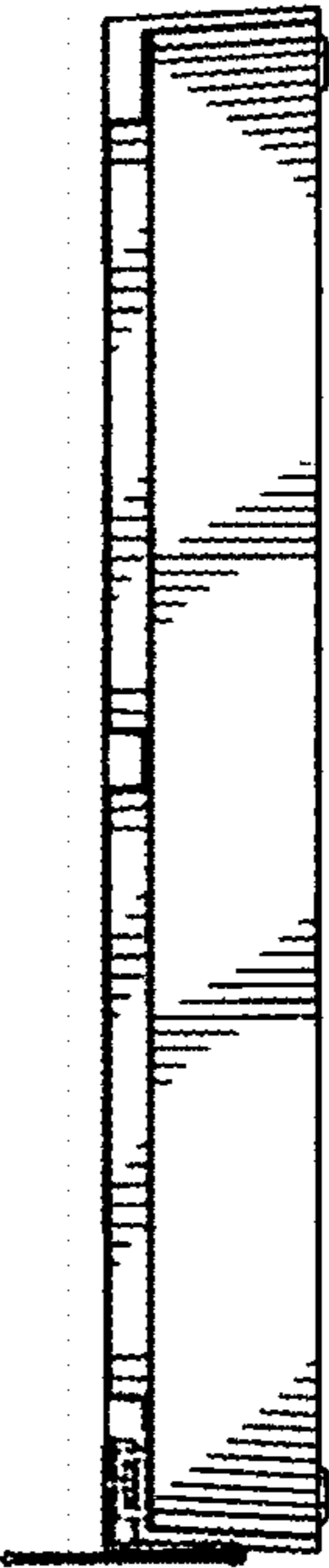


FIG. 8