



US00D777488S

(12) **United States Design Patent**
Stanfield

(10) **Patent No.:** **US D777,488 S**

(45) **Date of Patent:** **** Jan. 31, 2017**

- (54) **PORTABLE PODIUM**
- (71) Applicant: **Chris Stanfield**, Salt Lake City, UT
(US)
- (72) Inventor: **Chris Stanfield**, Salt Lake City, UT
(US)
- (**) Term: **15 Years**
- (21) Appl. No.: **29/530,137**
- (22) Filed: **Jun. 12, 2015**
- (51) **LOC (10) Cl.** **06-06**
- (52) **U.S. Cl.**
USPC **D6/700**
- (58) **Field of Classification Search**
USPC D6/700, 701, 300, 312, 707.19; D19/86;
248/441.1, 445, 446, 447, 448, 454, 371;
108/1, 6, 10, 137, 143, 144.11
CPC A47B 23/042; A47B 23/007; A47B 23/04;
A47B 19/04; A47B 27/00; A47B 27/02;
A47B 57/04; A47B 9/00; F25D 2325/023;
B23Q 1/621
See application file for complete search history.

D341,958 S *	12/1993	Allred	D6/406.4
D360,777 S *	8/1995	Glebe	D6/310
D361,217 S *	8/1995	Glebe	D6/310
D365,223 S *	12/1995	Pryor	D6/700
5,480,119 A *	1/1996	Fish	A47B 19/08
				108/127
5,484,124 A *	1/1996	Billings	A47B 21/0371
				248/118
D382,904 S *	8/1997	Comeaux	D19/90
D424,321 S *	5/2000	Sebby	D6/700
D429,914 S *	8/2000	Glass	D6/700
D457,011 S *	5/2002	Wenner	D6/314
D493,301 S *	7/2004	Robertson	D6/707
D517,328 S *	3/2006	Thrall	D6/300
D535,825 S *	1/2007	Sibley	D6/300
D544,218 S *	6/2007	Schelert	D6/300
D561,490 S *	2/2008	Traun	D6/700
D593,768 S *	6/2009	Lee	D6/673

(Continued)

Primary Examiner — John Windmuller
Assistant Examiner — Steven Czyz
 (74) *Attorney, Agent, or Firm* — Thorpe North & Western LLP

(57) **CLAIM**

The ornamental design for a portable podium, as shown and described herein.

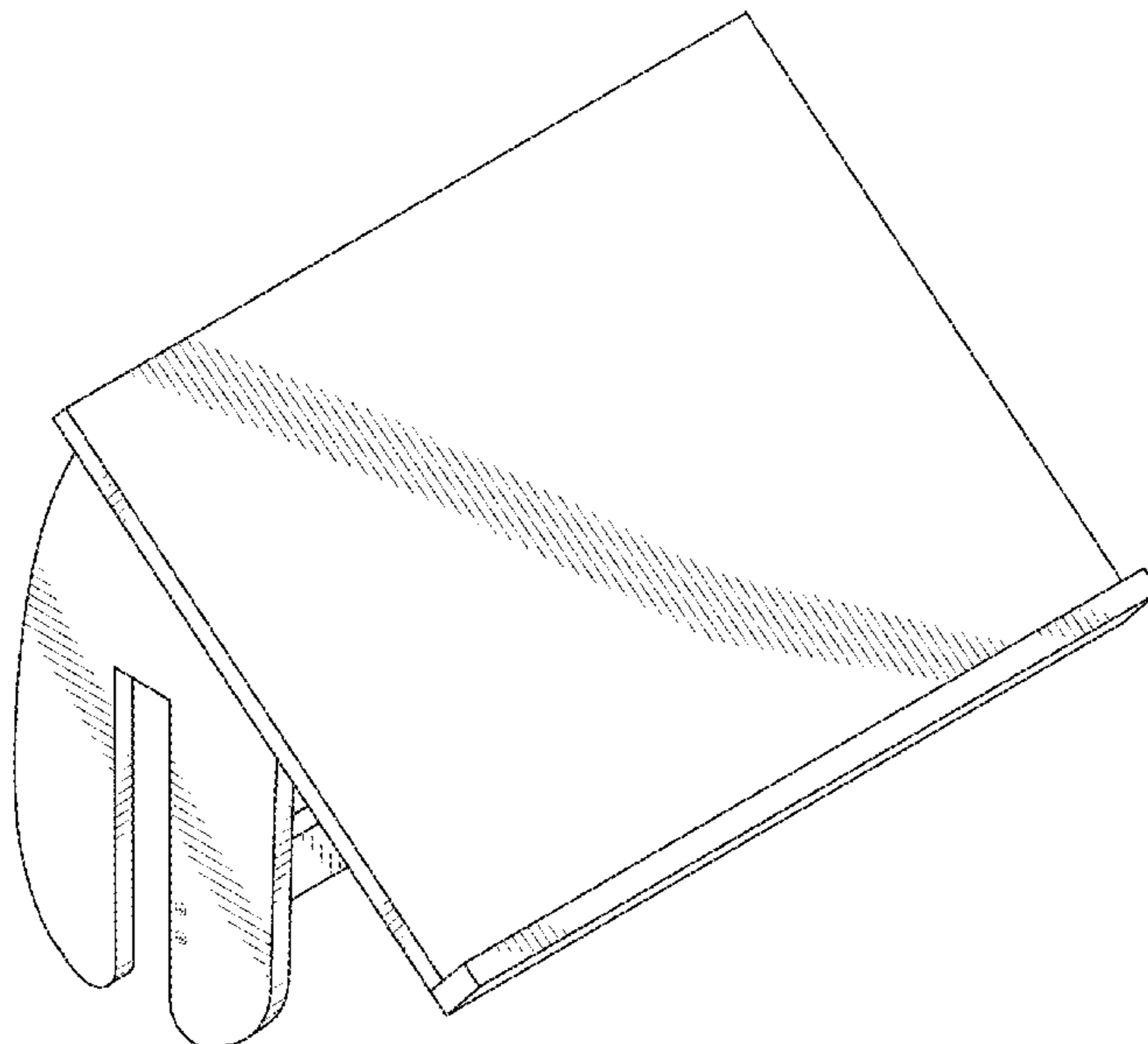
DESCRIPTION

FIG. 1 is an elevated, perspective view of a portable podium in accordance with my invention;
 FIG. 2 is a front view thereof;
 FIG. 3 is an opposite side view of FIG. 2;
 FIG. 4 is a side view of the invention as shown in FIG. 1;
 FIG. 5 is an opposite side view of FIG. 4;
 FIG. 6 is a top view of the invention; and,
 FIG. 7 is a bottom view of the invention.
 The broken lines depict portions of the article that form no part of the claimed design.

1 Claim, 6 Drawing Sheets

(56) **References Cited**
 U.S. PATENT DOCUMENTS

D102,790 S *	1/1937	Katz et al.	D6/701
D237,237 S *	10/1975	Nelson et al.	D19/91
3,936,109 A *	2/1976	Richardson	A47B 19/08
				108/150
D239,681 S *	4/1976	Smith et al.	D6/701
D248,523 S *	7/1978	Goldstein	D19/91
D254,110 S *	2/1980	Stanley	D6/700
D263,361 S *	3/1982	Johnson	D6/707
D297,335 S *	8/1988	Atwell	D19/86
D320,319 S *	10/1991	Brothers	D6/314
5,129,616 A *	7/1992	Carson	A47B 23/007
				248/444.1



(56)

References Cited

U.S. PATENT DOCUMENTS

8,038,116 B2 * 10/2011 Lee A47B 23/043
248/454
8,505,470 B1 * 8/2013 Lira A47B 23/04
108/10
D735,506 S * 8/2015 Nigro D6/642
D735,509 S * 8/2015 Roth D6/700
D758,773 S * 6/2016 Kim D6/672
2006/0124822 A1 * 6/2006 Munda A47B 19/00
248/454
2009/0289166 A1 * 11/2009 Hopfer A47B 23/043
248/456
2010/0219321 A1 * 9/2010 Tanabe A47B 23/043
248/441.1
2011/0180682 A1 * 7/2011 Tarnutzer A47B 23/043
248/447
2015/0034793 A1 * 2/2015 Roth A47B 23/001
248/456

* cited by examiner

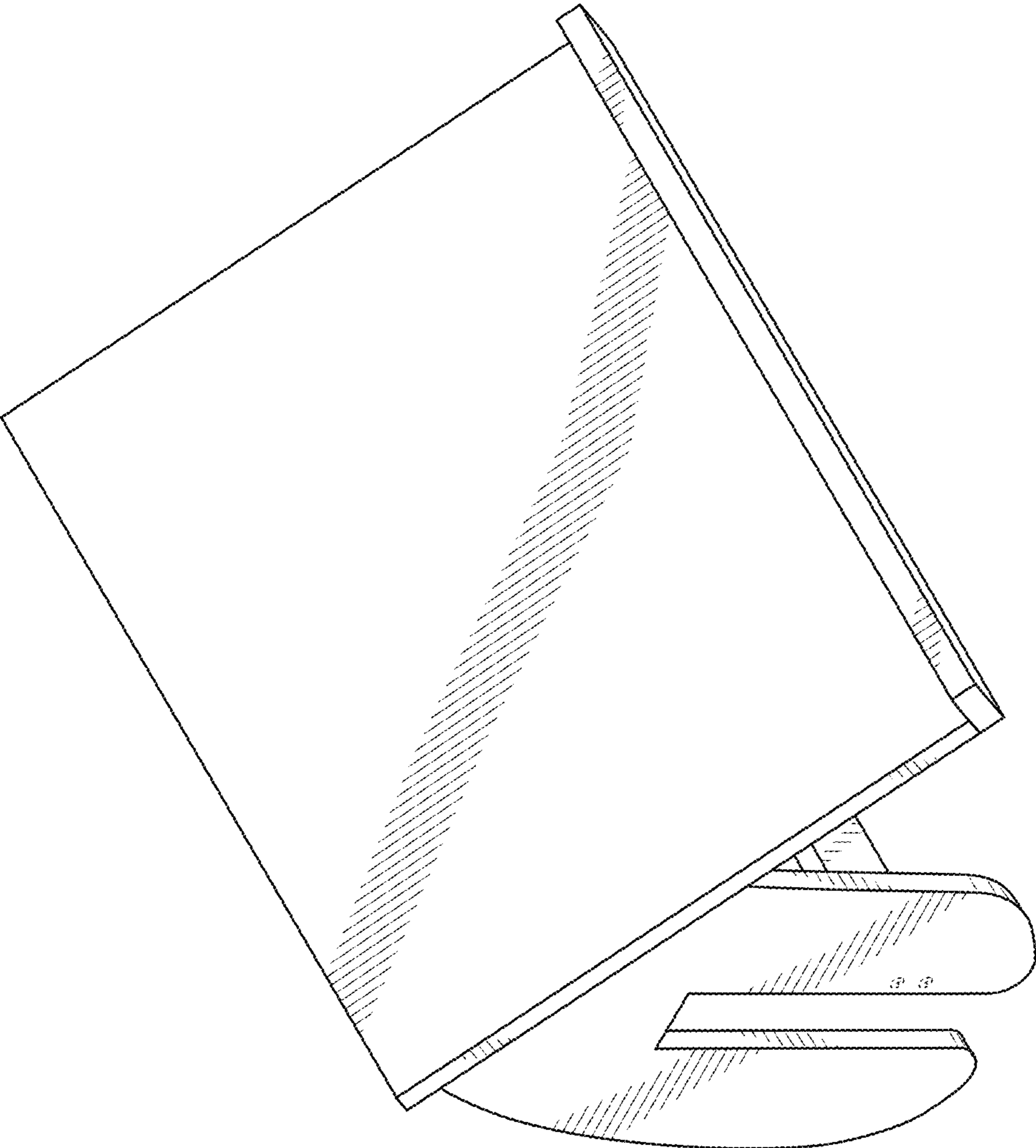


FIG. 1

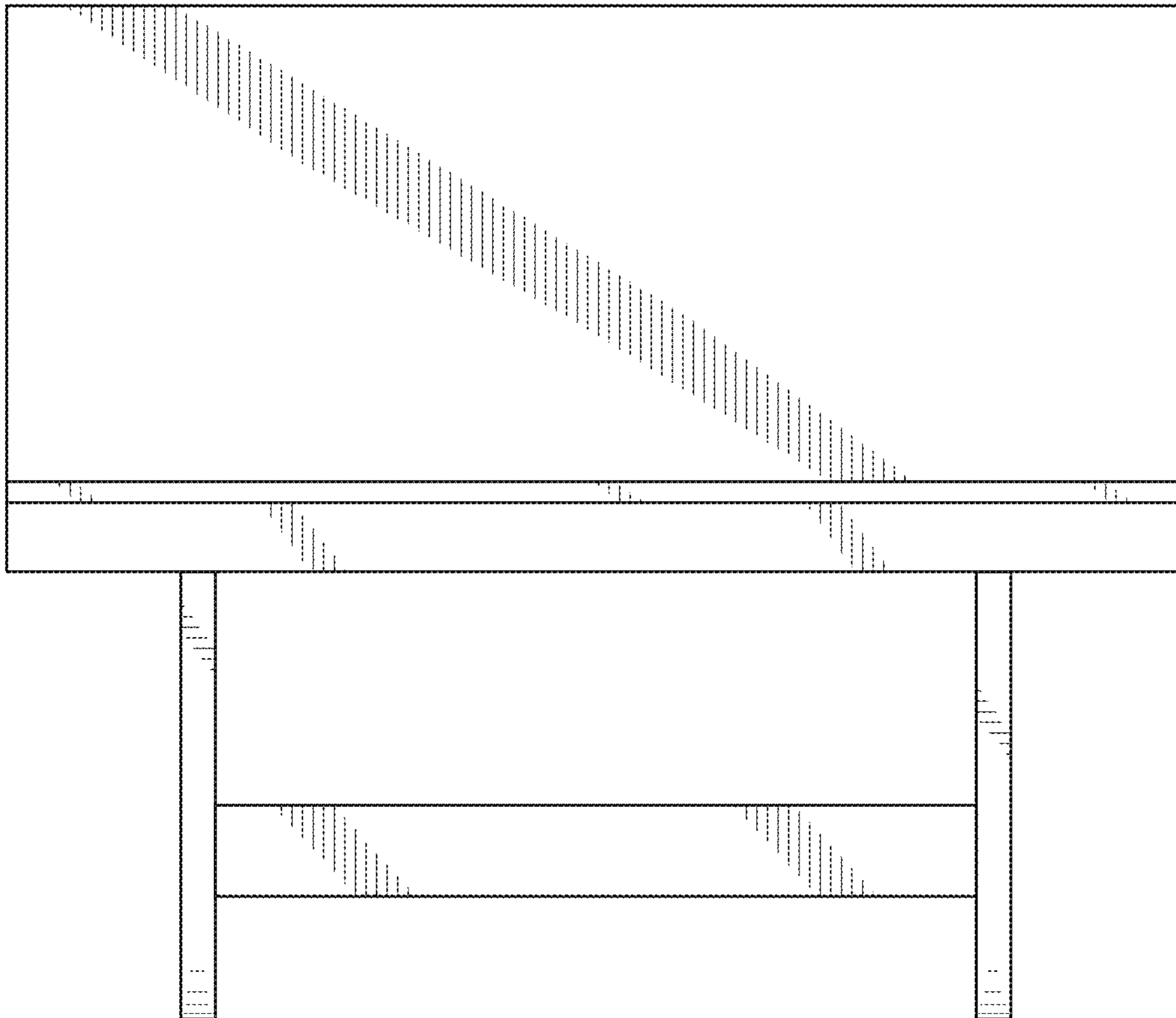


FIG. 2

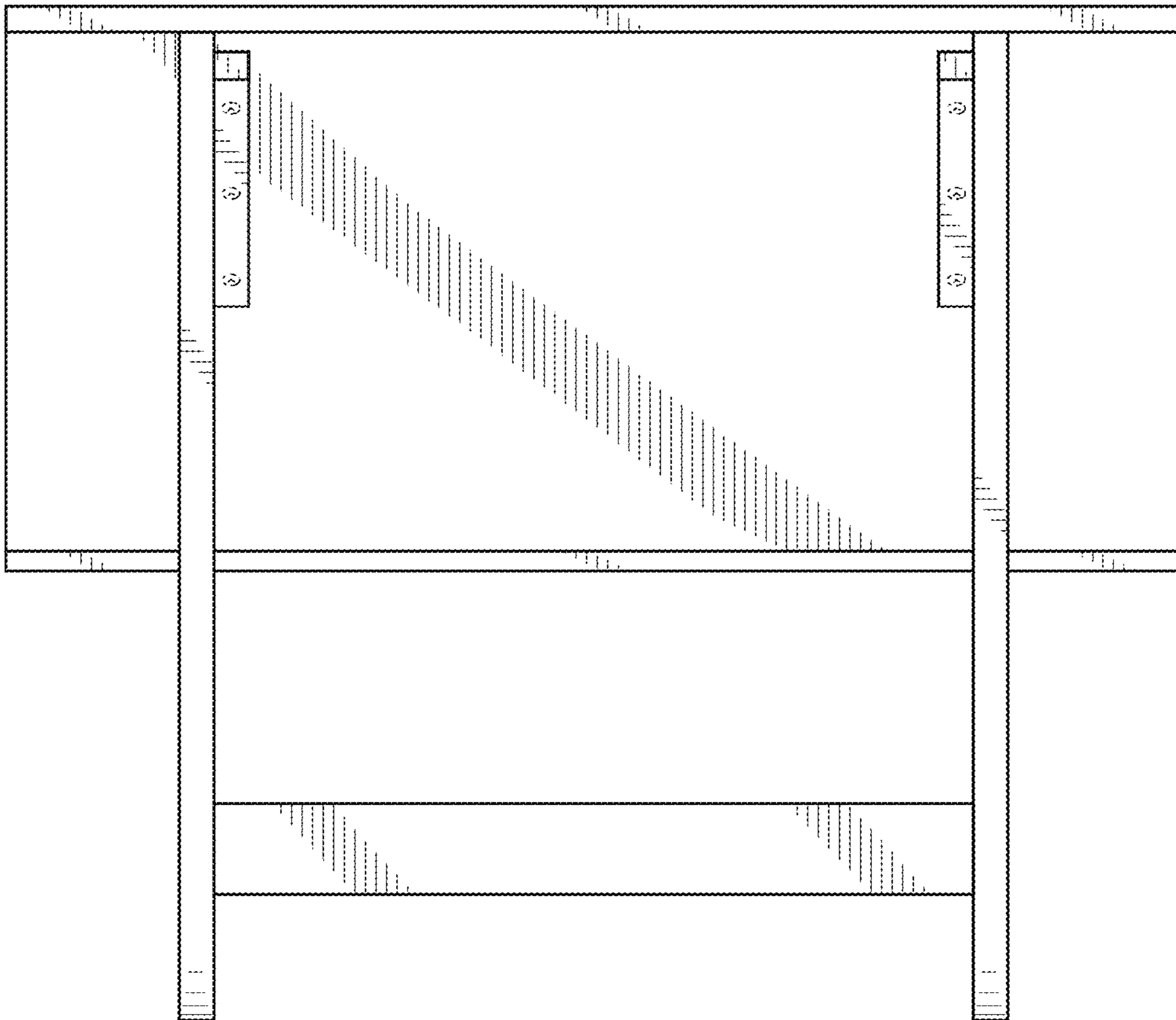


FIG. 3

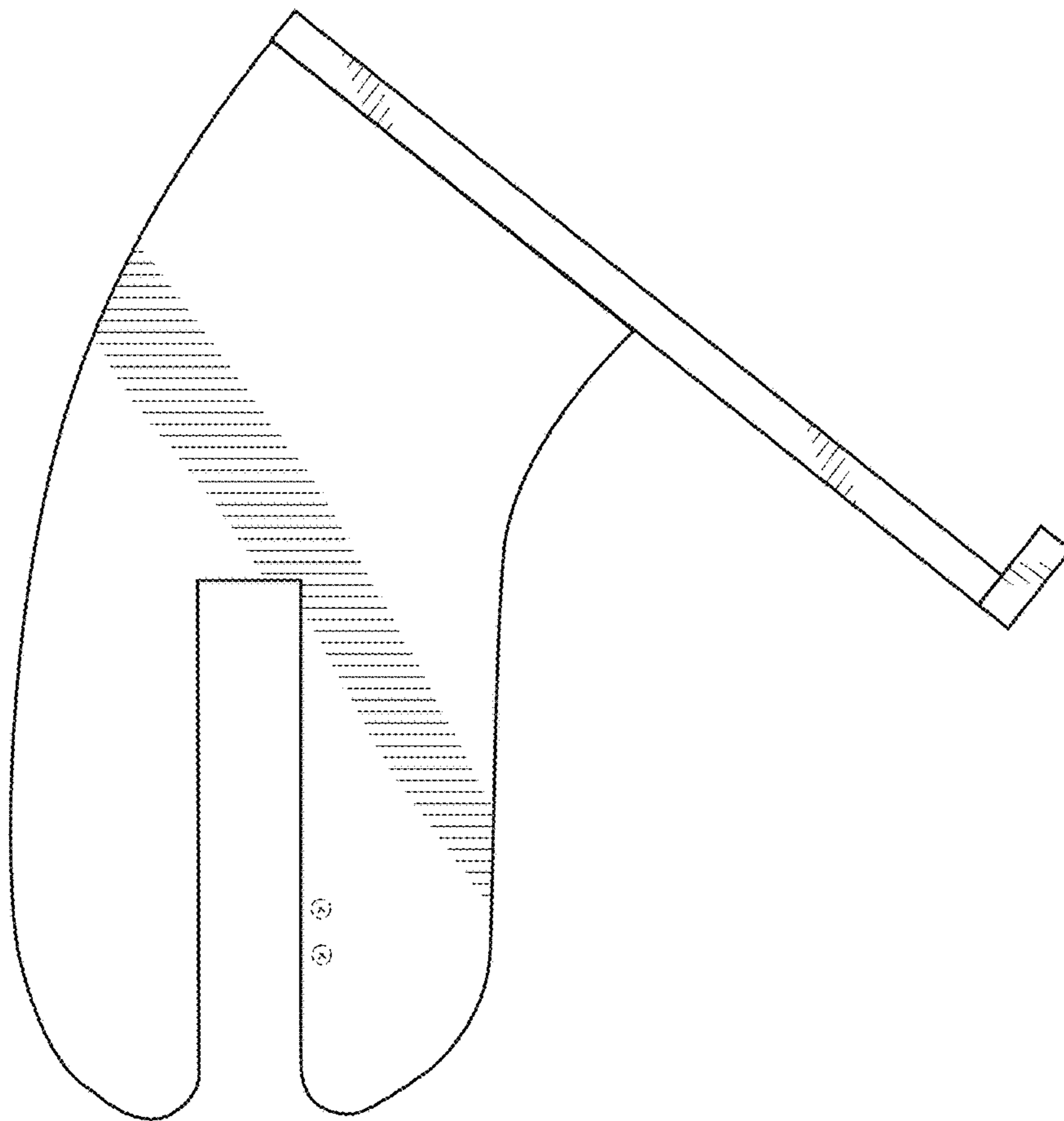


FIG. 4

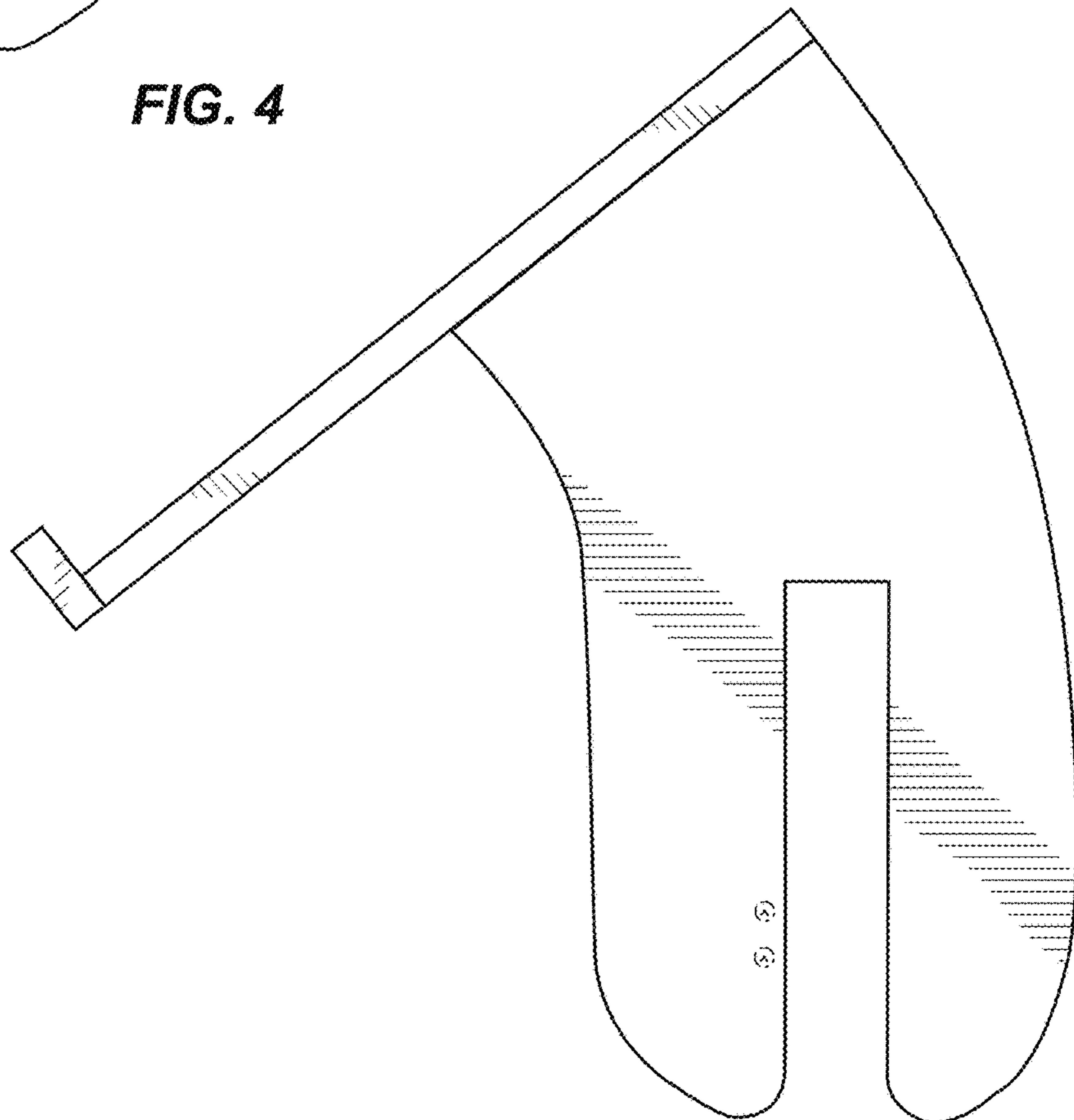


FIG. 5

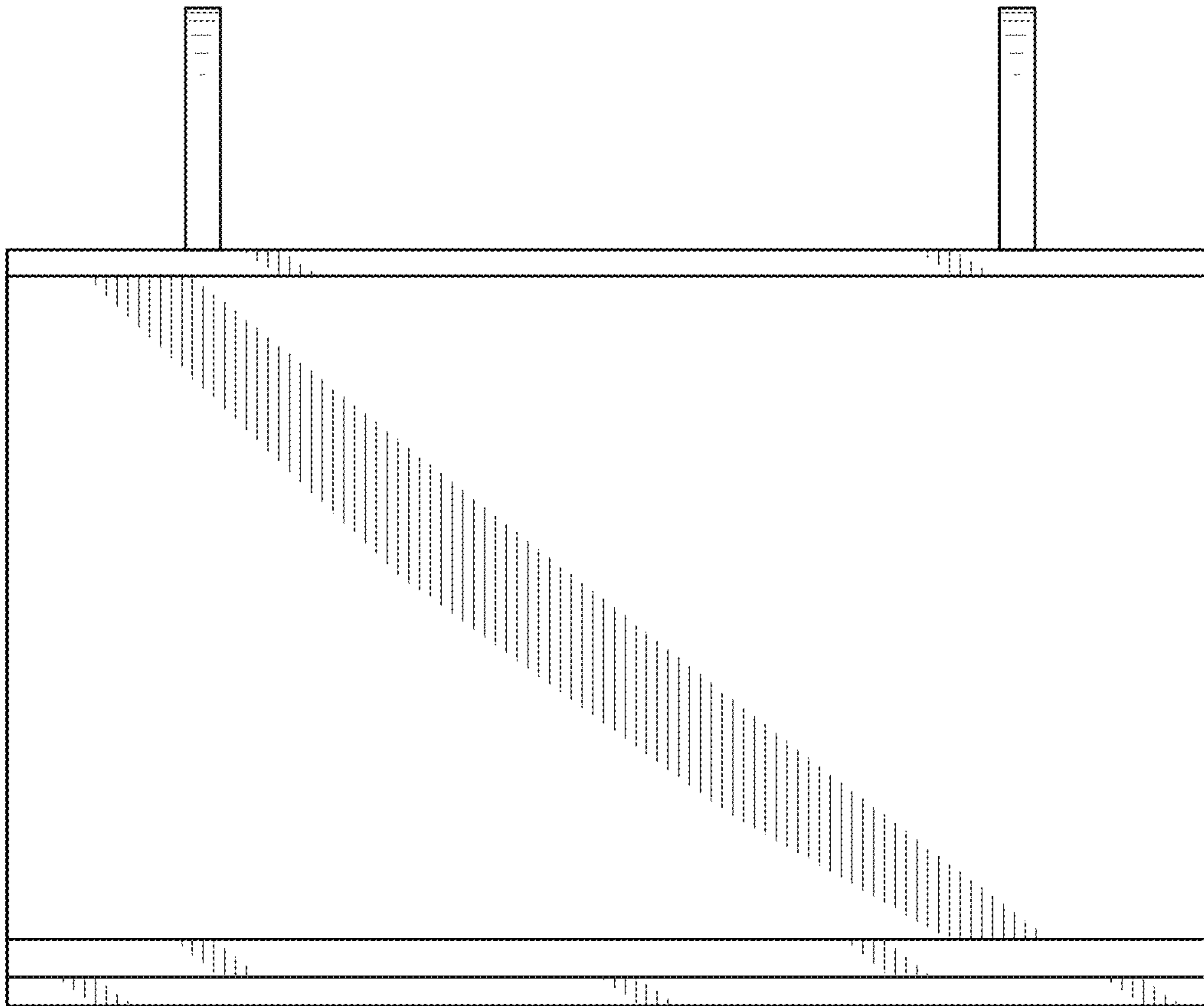


FIG. 6

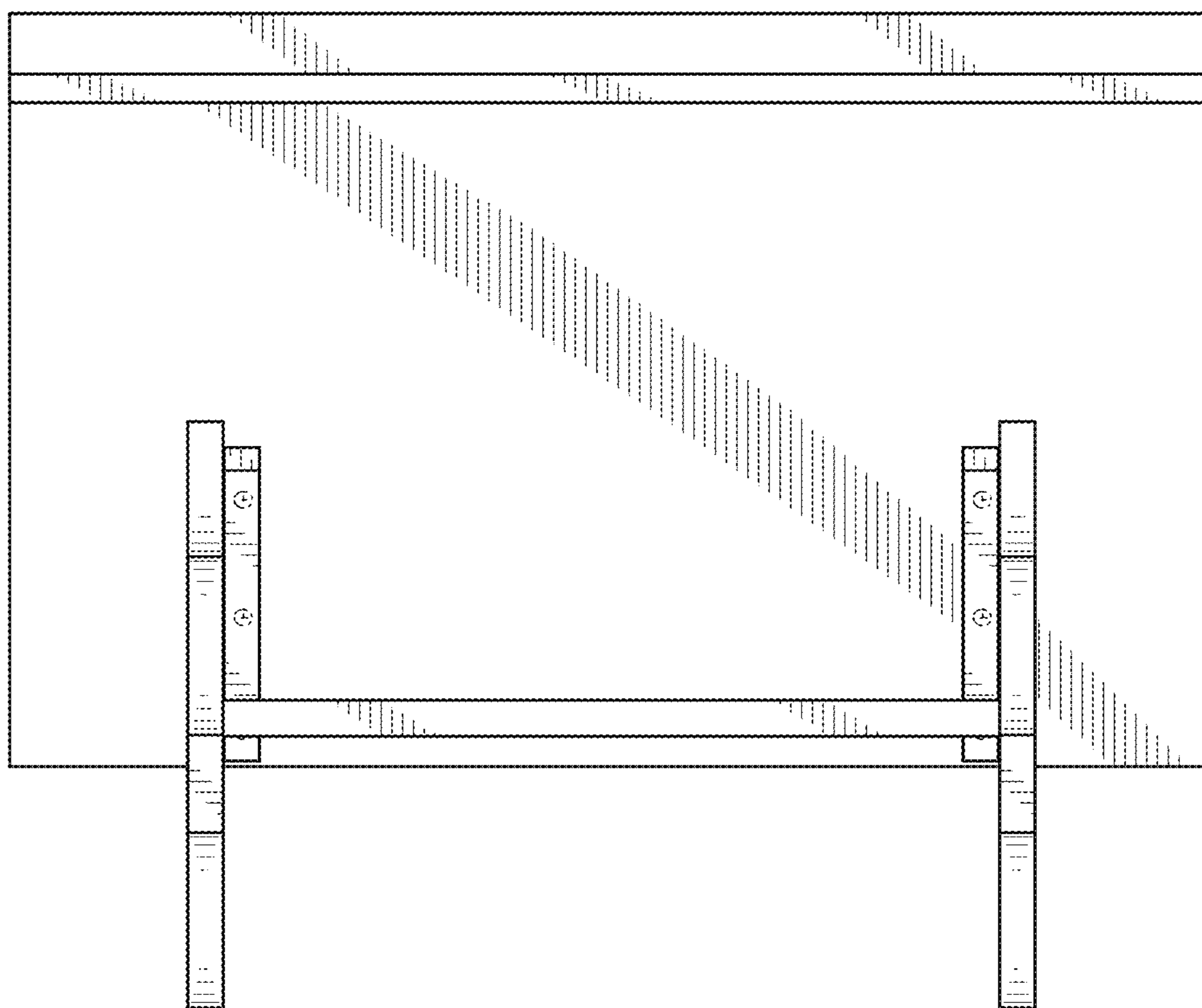


FIG. 7