



US00D777484S

(12) **United States Design Patent** (10) **Patent No.:** **US D777,484 S**  
**Ferrarese** (45) **Date of Patent:** **\*\* Jan. 31, 2017**

(54) **COMBINED TABLE AND SUPPORT FOR A FAN AND/OR A NEBULIZER**

AZ-Patio-Heaters-Tall-Square-Propane-Patio-Heater-with-Wheels-HLDS01-WHSQ-PZA1068.html?source=hotdeals>.\*

(Continued)

(71) Applicant: **ALBA s.r.l.**, Borgoricco (PD) (IT)

*Primary Examiner* — Mary Ann Calabrese

(72) Inventor: **Bruno Ferrarese**, Vigonza (IT)

*Assistant Examiner* — Megan M Majcher Hartnett

(73) Assignee: **ALBA S.R.L.**, Borgoricco (PD) (IT)

(74) *Attorney, Agent, or Firm* — Vorys, Sater, Seymour and Pease LLP

(\*\*) Term: **14 Years**

(57) **CLAIM**

(21) Appl. No.: **29/489,688**

The ornamental design for a combined table and support for a fan and/or a nebulizer, as shown and described.

(22) Filed: **May 2, 2014**

**DESCRIPTION**

(51) **LOC (10) Cl.** ..... **06-03**

(52) **U.S. Cl.**

USPC ..... **D6/686**; D23/328

(58) **Field of Classification Search**

USPC ..... D6/662, 686, 691, 691.4; D23/317, 328, D23/332, 342, 370, 381

CPC .... F24F 1/025; F24F 2221/10; F24F 2221/12; A47B 7/00; A47B 21/00; A47B

13/00; A47B 37/04; A47B 37/00; F24H 3/02; F24H 3/0417

See application file for complete search history.

FIG. 1 is a perspective view of a combined table and support for a fan and/or a nebulizer, taken from above; FIG. 2 is a frontal view of the combined table and support for a fan and/or a nebulizer; FIG. 3 is a left-side view of the combined table and support for a fan and/or a nebulizer; FIG. 4 is a rear view of the combined table and support for a fan and/or a nebulizer; FIG. 5 is a right-side view of the combined table and support for a fan and/or a nebulizer; FIG. 6 is a top view of the combined table and support for a fan and/or a nebulizer; FIG. 7 is a bottom view of the combined table and support for a fan and/or a nebulizer; and, FIG. 8 is a perspective view of the combined table and support for a fan and/or a nebulizer taken from the bottom. The broken lines showing a base for a fan and/or nebulizer portion of the combined table and support for a fan and/or a nebulizer are illustrating portions of the article and form no part of the claimed design. The grill, shown within the fan and/or nebulizer portion of the design shown in broken lines, is shown for illustrating portions of the article and forms no part of the claimed design.

(56) **References Cited**

**U.S. PATENT DOCUMENTS**

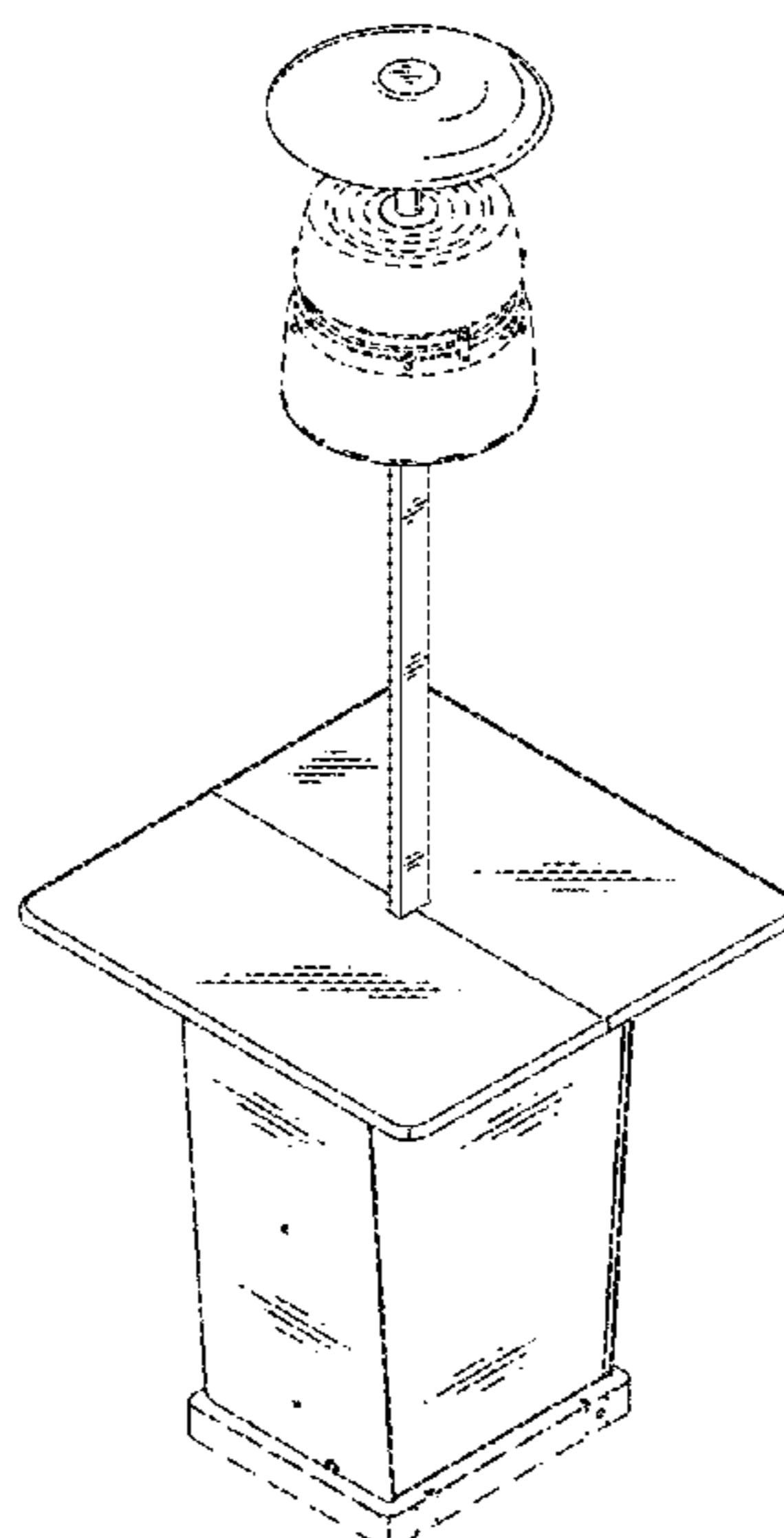
- D44,468 S 8/1913 Conrad
- 1,203,818 A \* 11/1916 Trinkl ..... A47B 11/00 108/95
- D179,582 S \* 1/1957 Reineman ..... D10/46.1
- D192,689 S 5/1962 Hess
- D231,814 S \* 6/1974 Weaver ..... D6/669

(Continued)

**OTHER PUBLICATIONS**

'Tall Square Propane Patio Heater with Wheels'. allmodern.com [online]. Earliest date Feb. 2, 2016 [retrieved Jul. 18, 2016]. Retrieved from the Internet: <URL: <https://www.allmodern.com/>>

**1 Claim, 8 Drawing Sheets**



(56)

**References Cited**

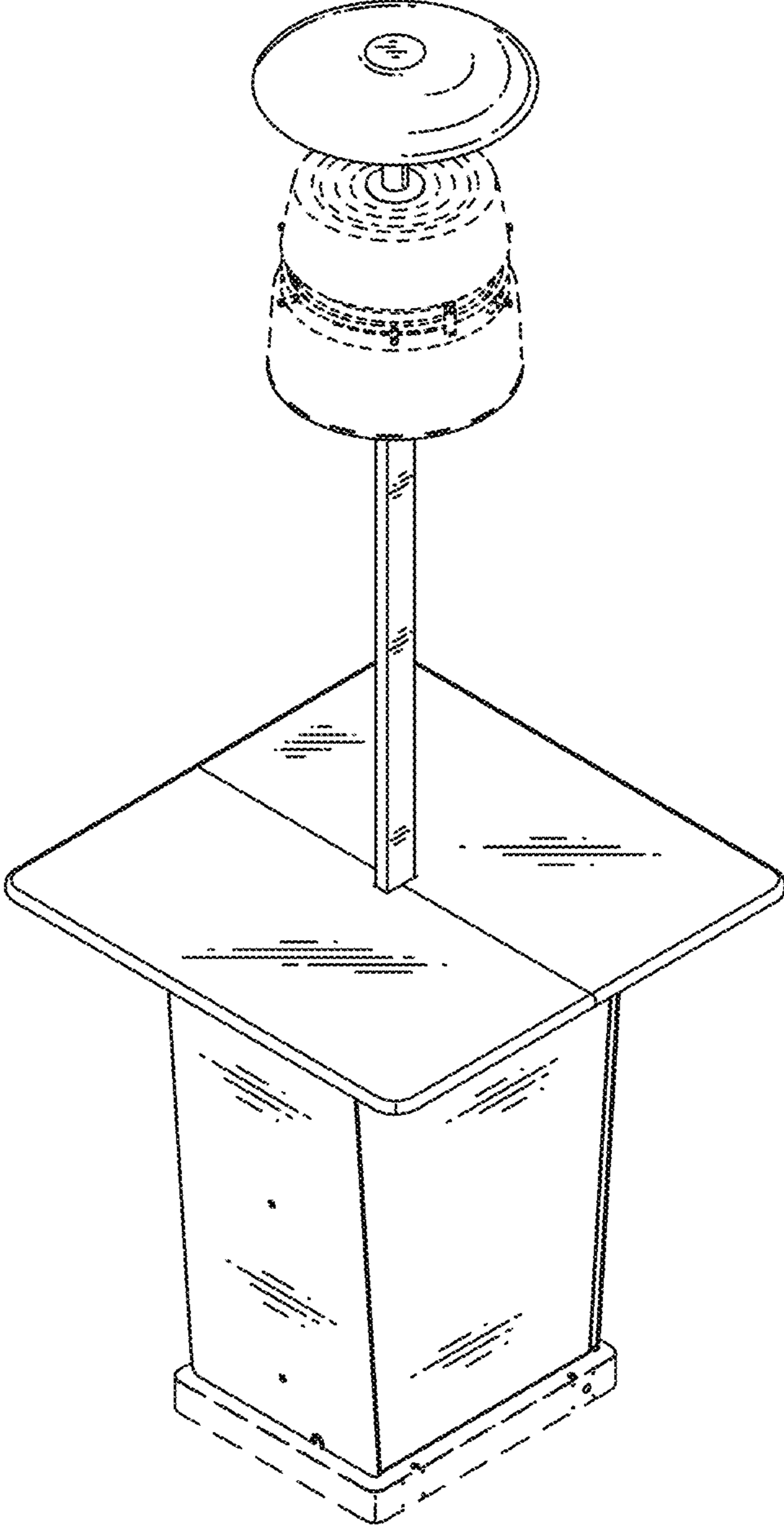
U.S. PATENT DOCUMENTS

D295,812	S	5/1988	Dyment et al.	
D299,599	S	1/1989	Everett et al.	
D325,963	S *	5/1992	Anderson .....	D23/342
6,347,591	B1 *	2/2002	Karpa .....	A47B 37/00 108/25
D462,426	S *	9/2002	Jeng .....	D23/328
D462,427	S *	9/2002	Jeng .....	D23/328
D471,967	S *	3/2003	Bossler .....	D23/328
D557,519	S	12/2007	Strawbridge	
D557,940	S	12/2007	Carlin et al.	
D608,431	S *	1/2010	Wang .....	D23/314
D616,972	S *	6/2010	Wang .....	D23/314
D627,451	S *	11/2010	Hall, Jr. ....	D23/314
D654,577	S *	2/2012	Smith .....	D23/314
D744,769	S *	12/2015	Ferrarese .....	D6/662
2009/0283606	A1 *	11/2009	Terrell .....	F24F 5/0035 239/14.1
2013/0239943	A1 *	9/2013	James .....	F24C 1/08 126/58
2014/0041556	A1 *	2/2014	Diepenbrock .....	A47B 13/00 108/50.13

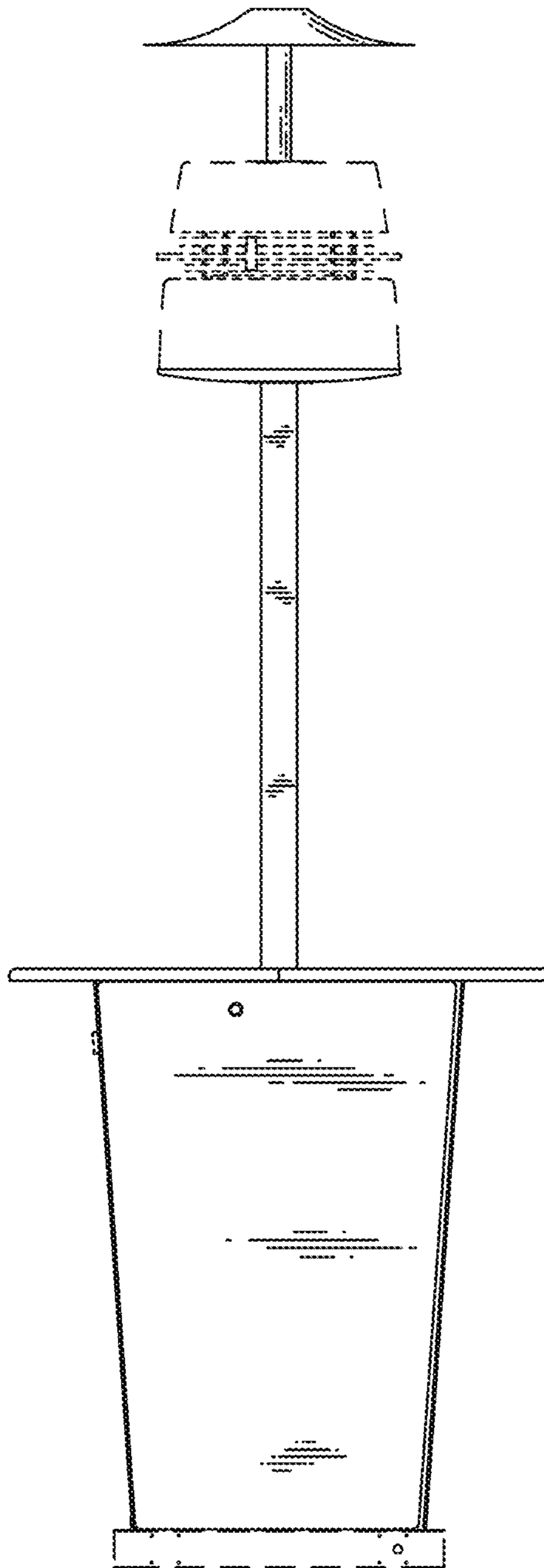
OTHER PUBLICATIONS

‘Red Ember Hammered Bronze Commercial Patio Heater with Table’. hayneedle.com [online]. Earliest date Dec. 25, 2014 [retrieved Jul. 18, 2016]. Retrieved from the Internet: <URL: <http://www.hayneedle.com/product/red-ember-hammered-bronze-patio-heater-with-table.cfm?Itype=child&tid=WTL215-1>>.\*  
U.S. Appl. No. 29/489,687 to Bruno Ferrarese—“Combined Table and Support for a Fan and/or a Nebulizer”, filed May 2, 2014.

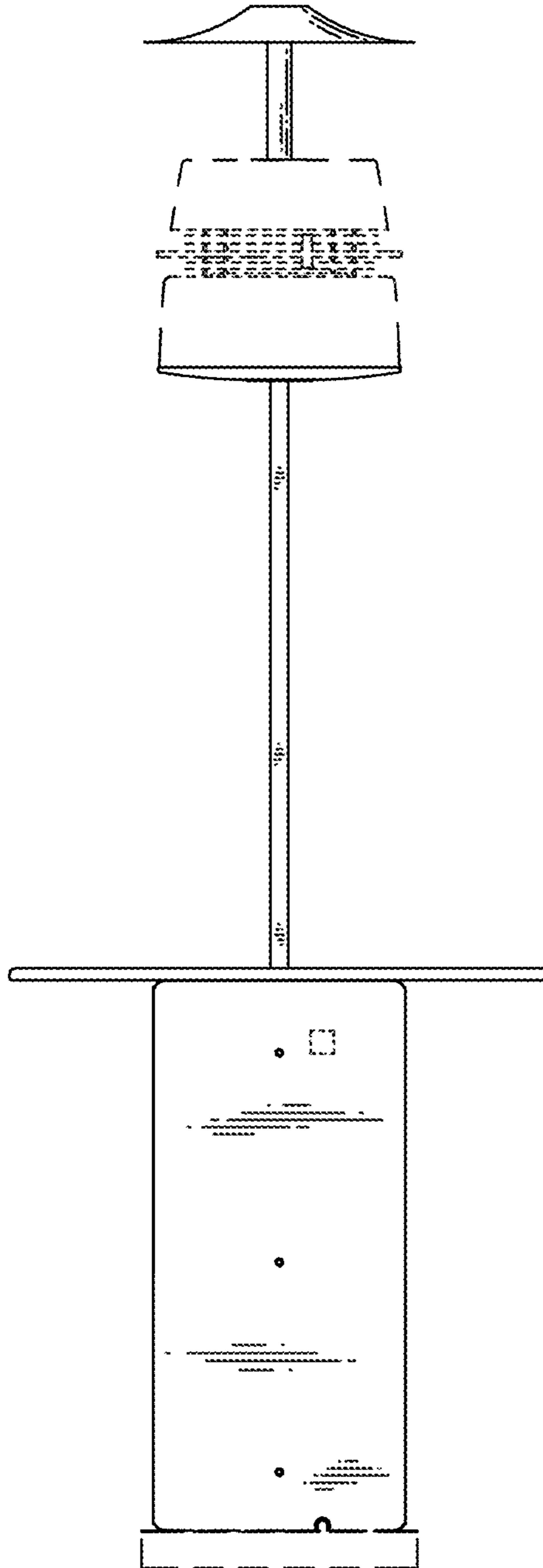
\* cited by examiner



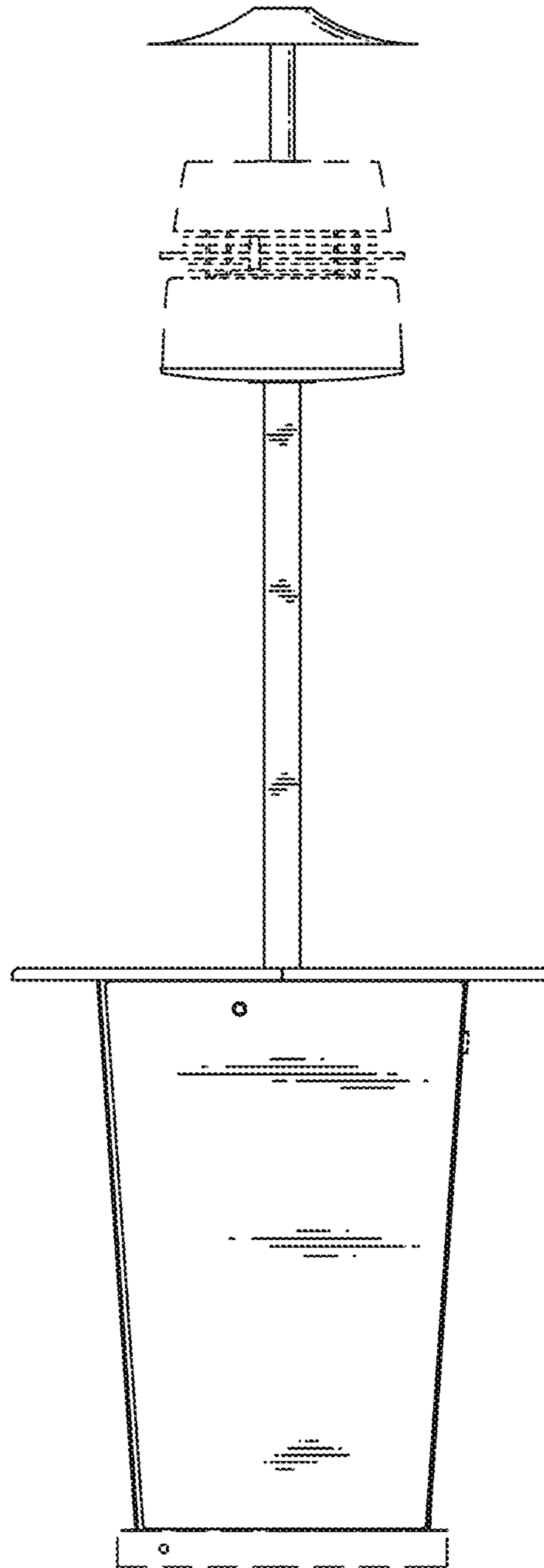
*Fig. 1*



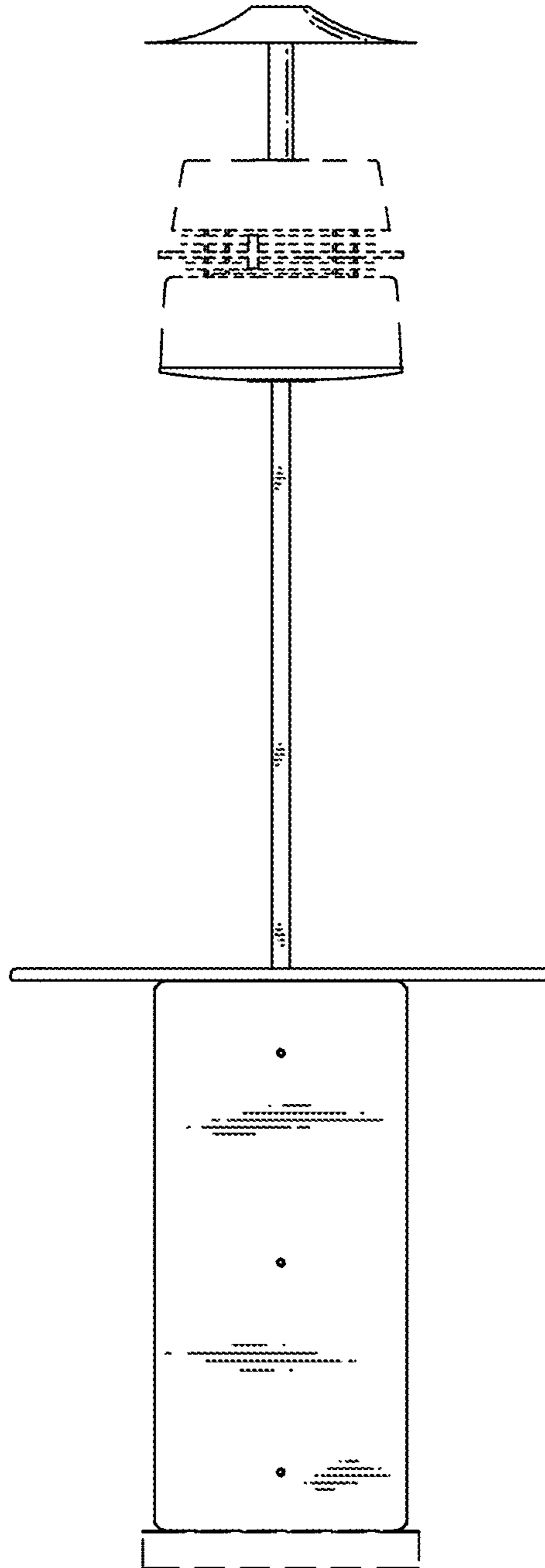
*Fig. 2*



*Fig. 3*

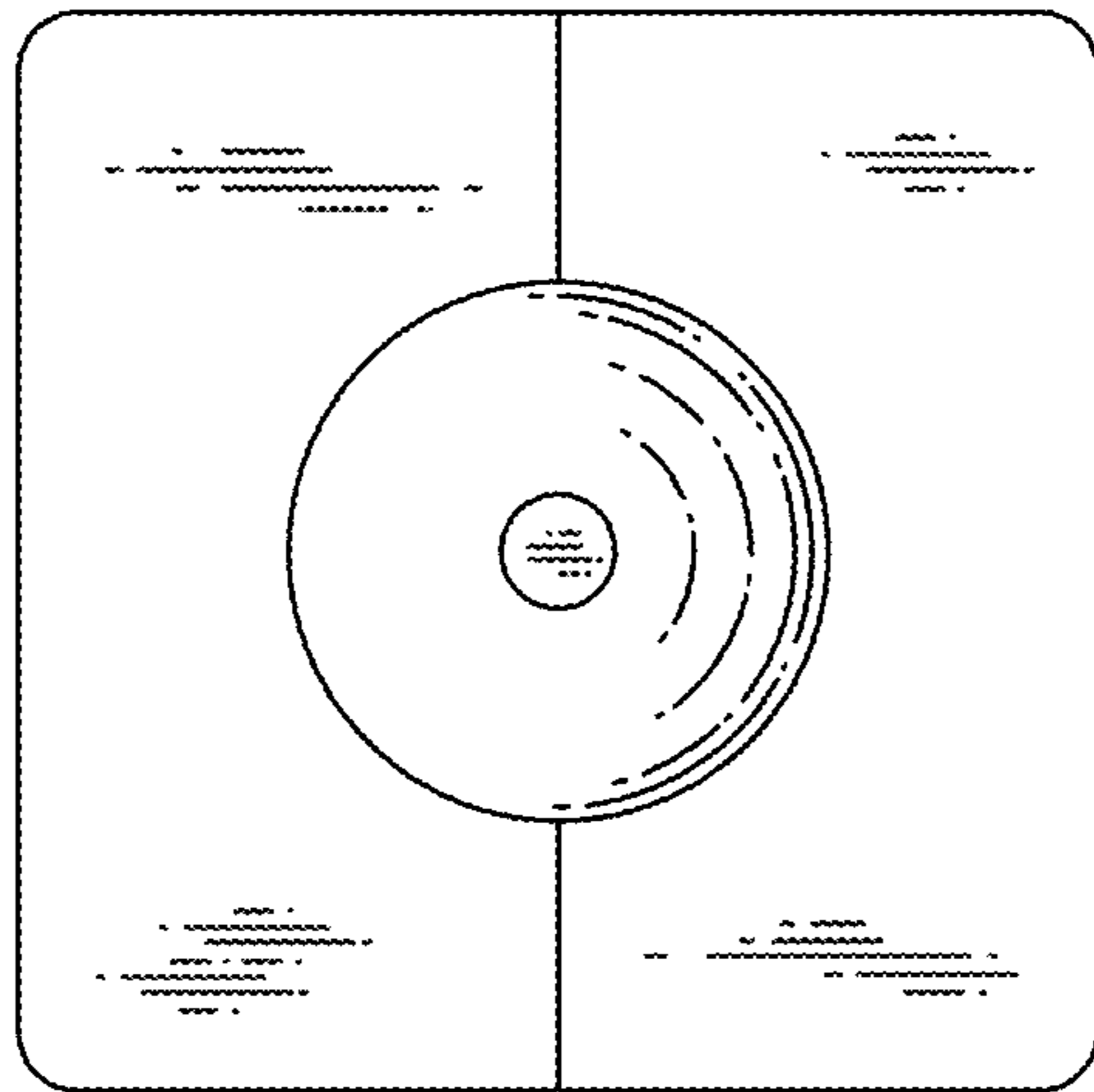


*Fig. 4*



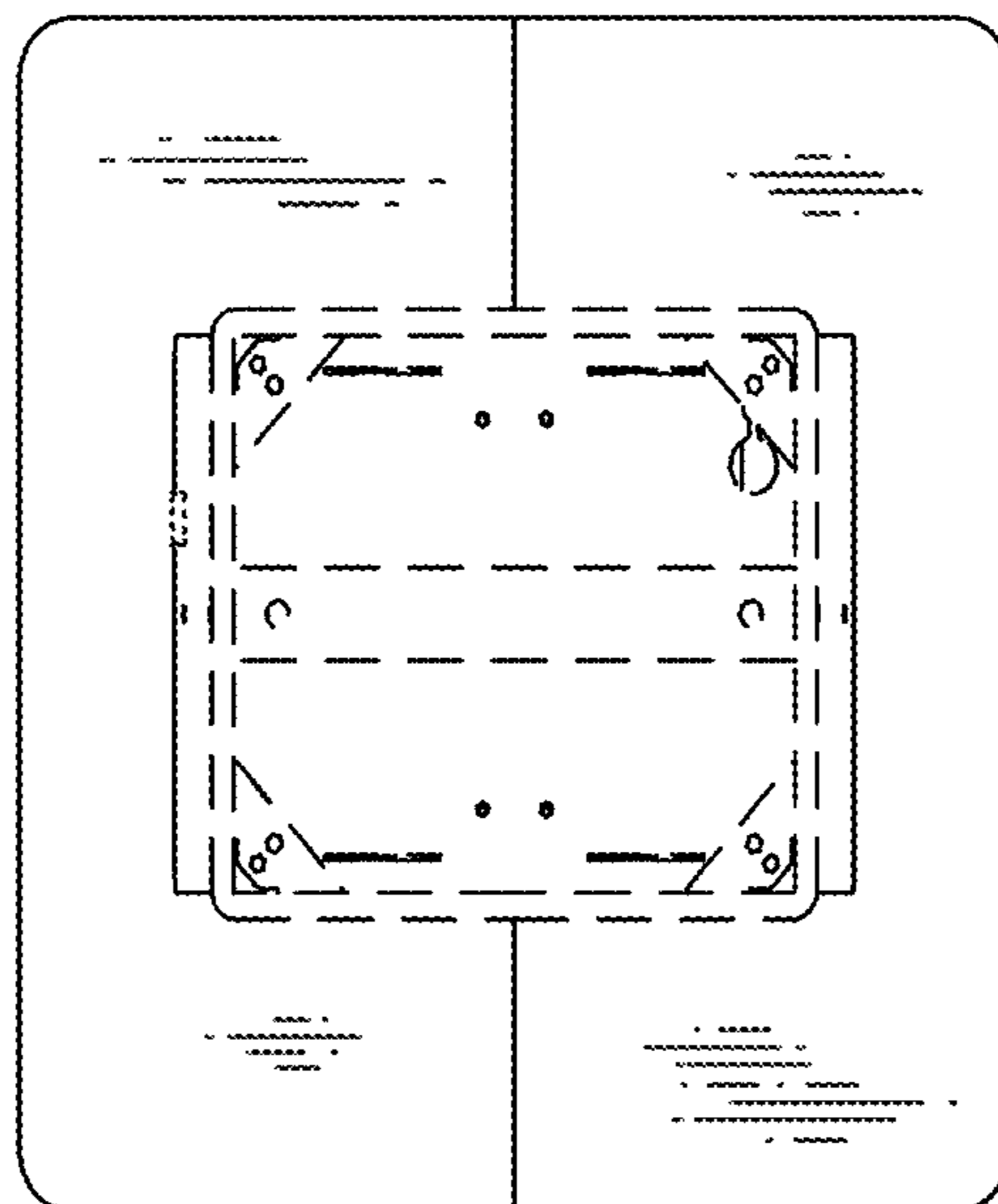
*Fig. 5*



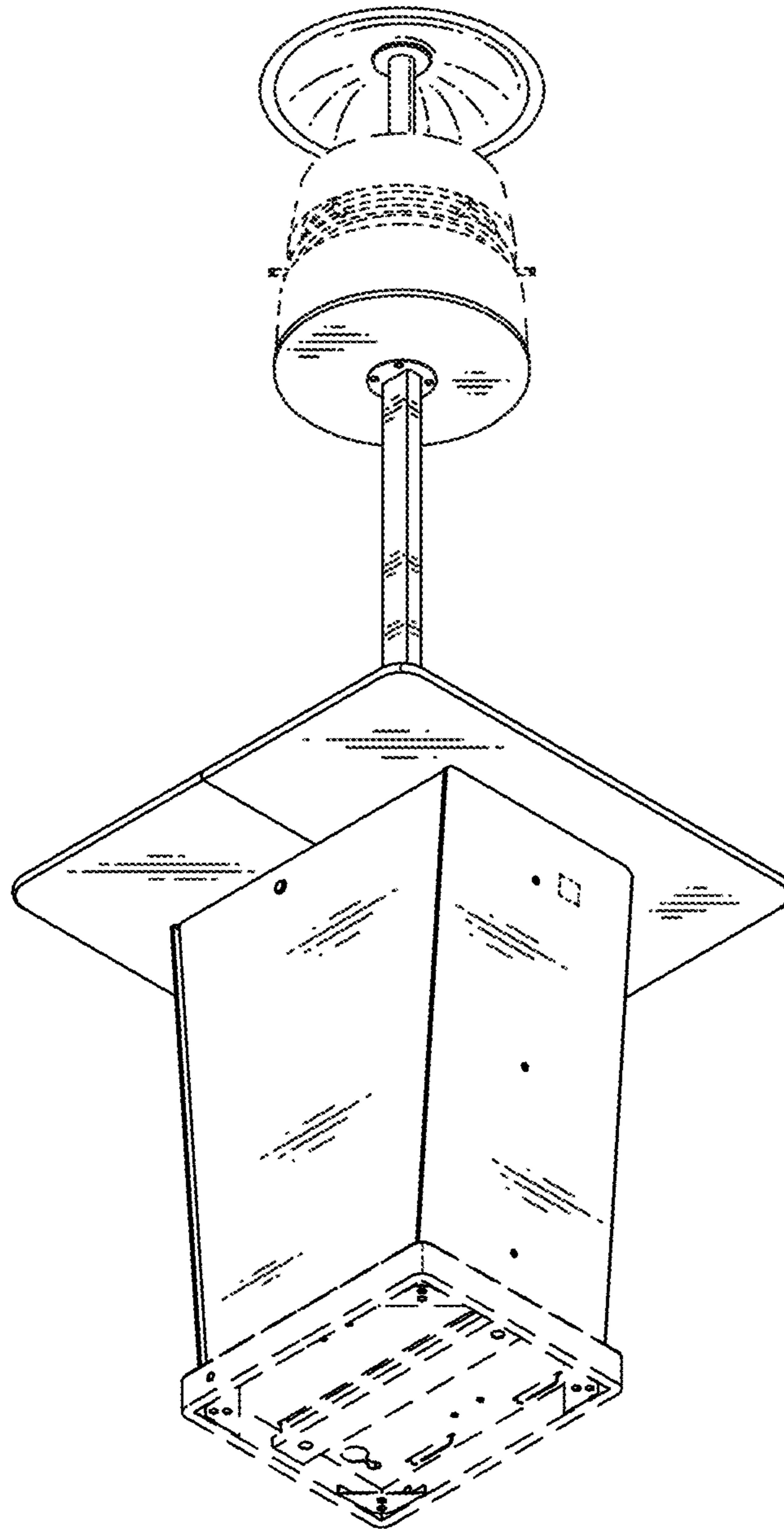


*Fig. 6*





*Fig. 7*



*Fig. 8*