



US00D777483S

(12) **United States Design Patent**
Bittle

(10) **Patent No.:** **US D777,483 S**

(45) **Date of Patent:** **** Jan. 31, 2017**

- (54) **DOUBLE BAR GARMENT RACK**
- (71) Applicant: **Easy Home Organization Manufacturing Co., Ltd.,** Shenzhen (CN)
- (72) Inventor: **Bobby Joe Bittle,** Bentonville, AR (US)
- (73) Assignee: **EASY HOME ORGANIZATION MANUFACTURING CO., LTD.,** Shenzhen (CN)

2,896,789 A * 7/1959 Sans A47G 25/0664 108/28
 3,197,035 A * 7/1965 Wolf A47G 25/0664 211/204
 3,303,938 A * 2/1967 Solomon A47F 7/24 211/182
 3,395,811 A * 8/1968 Bellock A47G 25/0664 211/182
 D212,482 S * 10/1968 Lum et al. D6/681
 3,705,731 A * 12/1972 Berchak B62B 3/02 280/43
 3,722,702 A * 3/1973 Marker, Jr. A47F 5/13 108/115

(**) Term: **15 Years**

(21) Appl. No.: **29/542,672**

(22) Filed: **Oct. 16, 2015**

(51) **LOC (10) Cl.** **06-04**

(52) **U.S. Cl.**
USPC **D6/681**

(58) **Field of Classification Search**
USPC D6/681, 681.1, 672, 675.2, 675.5, 681.3, 682.6; 211/85.3, 204, 206, 182, 211/190, 191; 108/29; 280/651
CPC A47G 25/746; A47G 25/0664; A47F 7/24; A47F 5/13; B62B 3/02; A47B 61/00; A47B 57/402; F16B 12/40
See application file for complete search history.

(56) **References Cited**

U.S. PATENT DOCUMENTS

1,661,667 A * 3/1928 Mallach A47F 7/24 135/144
 D130,305 S * 11/1941 Bersin et al. D6/681.1
 D130,632 S * 12/1941 Millberg et al. D6/681.1
 D131,907 S * 4/1942 Sarvis et al. D6/681
 D149,816 S * 6/1948 Ivelow et al. 248/175
 D151,272 S * 10/1948 Kipp et al. D20/42
 2,798,618 A * 7/1957 Singer A47G 25/0664 211/204
 2,893,568 A * 7/1959 Scholz A47F 5/13 211/204

(Continued)

Primary Examiner — John Windmuller

Assistant Examiner — Steven Czyz

(74) *Attorney, Agent, or Firm* — Husch Blackwell LLP

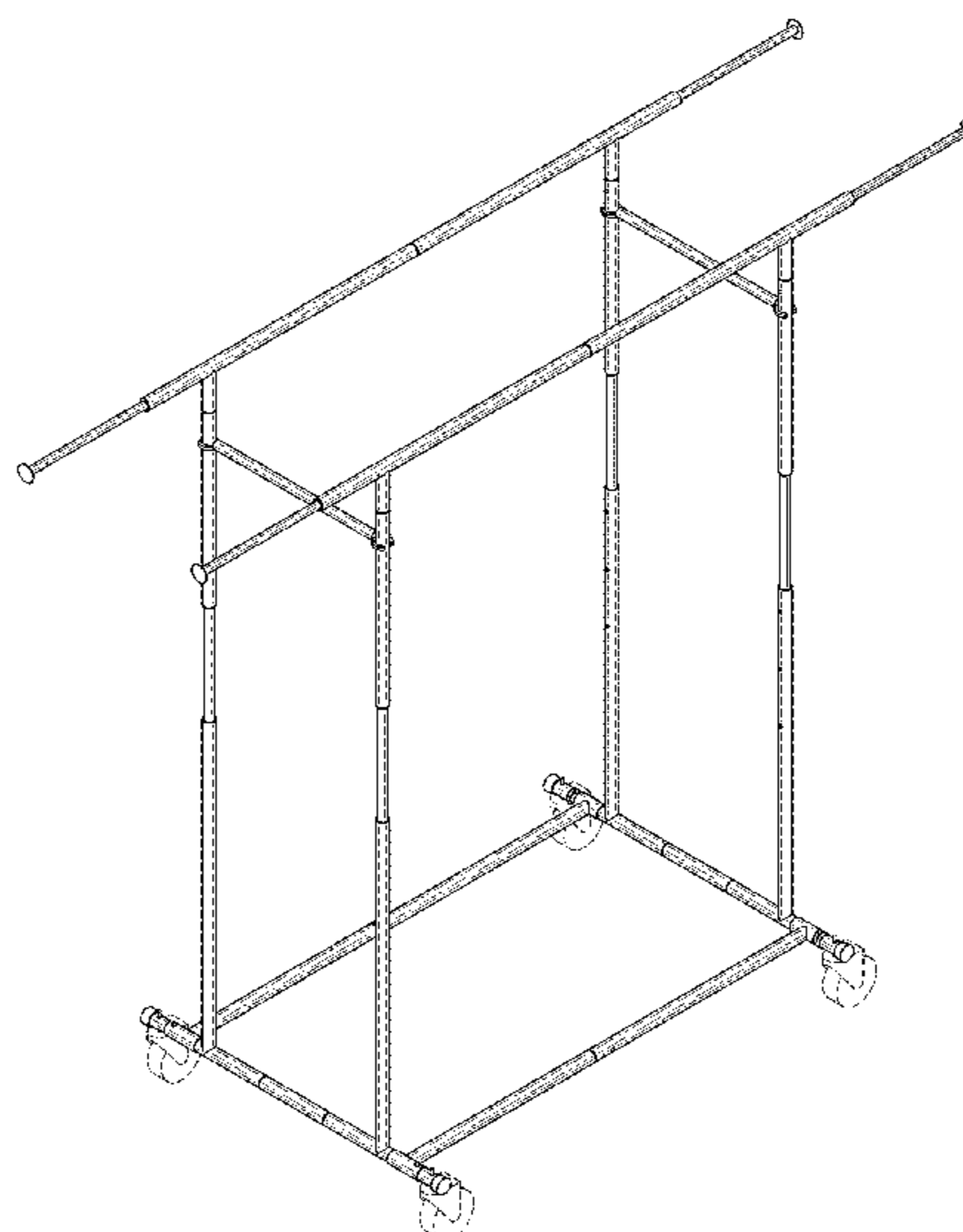
(57) **CLAIM**

The ornamental design for, a double bar garment rack, as shown and described.

DESCRIPTION

FIG. 1 is a top perspective view of the design of a double bar garment rack;
 FIG. 2 is a front side view of the double bar garment rack shown in FIG. 1;
 FIG. 3 is a back side view of the double bar garment rack shown in FIG. 1;
 FIG. 4 is a left side view of the double bar garment rack shown in FIG. 1;
 FIG. 5 is a right side view of the double bar garment rack shown in FIG. 1;
 FIG. 6 is a top plan view of the double bar garment rack shown in FIG. 1; and,
 FIG. 7 is a bottom plan view of the double bar garment rack shown in FIG. 1.
 The broken lines depict portions of the article that form no part of the claimed design.

1 Claim, 6 Drawing Sheets



(56)

References Cited

U.S. PATENT DOCUMENTS

3,831,768	A *	8/1974	Keller	A47F 7/24	D495,523	S *	9/2004	Harwanko	D6/681.1
					D495,524	S *	9/2004	Harwanko	D6/681.1
D272,954	S *	3/1984	Sparks	D34/21	7,077,277	B2 *	7/2006	Wang	A47B 91/02
D289,243	S *	4/1987	Arnold	D6/709					182/186.7
D289,585	S *	5/1987	Lord	D6/672	D537,266	S *	2/2007	Ward	D6/681.1
5,090,725	A *	2/1992	Feldner	B62B 3/02	D602,713	S *	10/2009	Stukenberg	D6/681.1
					D603,188	S *	11/2009	Wang	D6/675.5
5,718,344	A *	2/1998	Joldeson	A47F 5/13	D613,965	S *	4/2010	Tertel	D6/675.5
					D617,576	S *	6/2010	Lin	D6/681.1
D424,320	S *	5/2000	Klein	D6/681.1	D736,548	S *	8/2015	Hornsby	D6/681.1
D450,948	S *	11/2001	Stafford	D6/681.1	D749,879	S *	2/2016	Wall	D6/680.3
D456,167	S *	4/2002	Harwanko	D6/548	D750,401	S *	3/2016	Ruiz	D6/681
D466,331	S *	12/2002	Chang	D6/681.1	D753,940	S *	4/2016	Ruiz	D6/681
D470,685	S *	2/2003	Chang	D6/681.1	2007/0272642	A1 *	11/2007	Baptiste	A47B 43/00
D474,350	S *	5/2003	Sardis	D6/681.1					211/201
D491,742	S *	6/2004	Harwanko	D6/681.1	2012/0074082	A1 *	3/2012	Hornsby	A47G 25/0685
6,745,909	B1 *	6/2004	Lai	A47G 25/0664					211/85.3
					2015/0008201	A1 *	1/2015	Qiang	A47F 7/24
									211/85.3

* cited by examiner

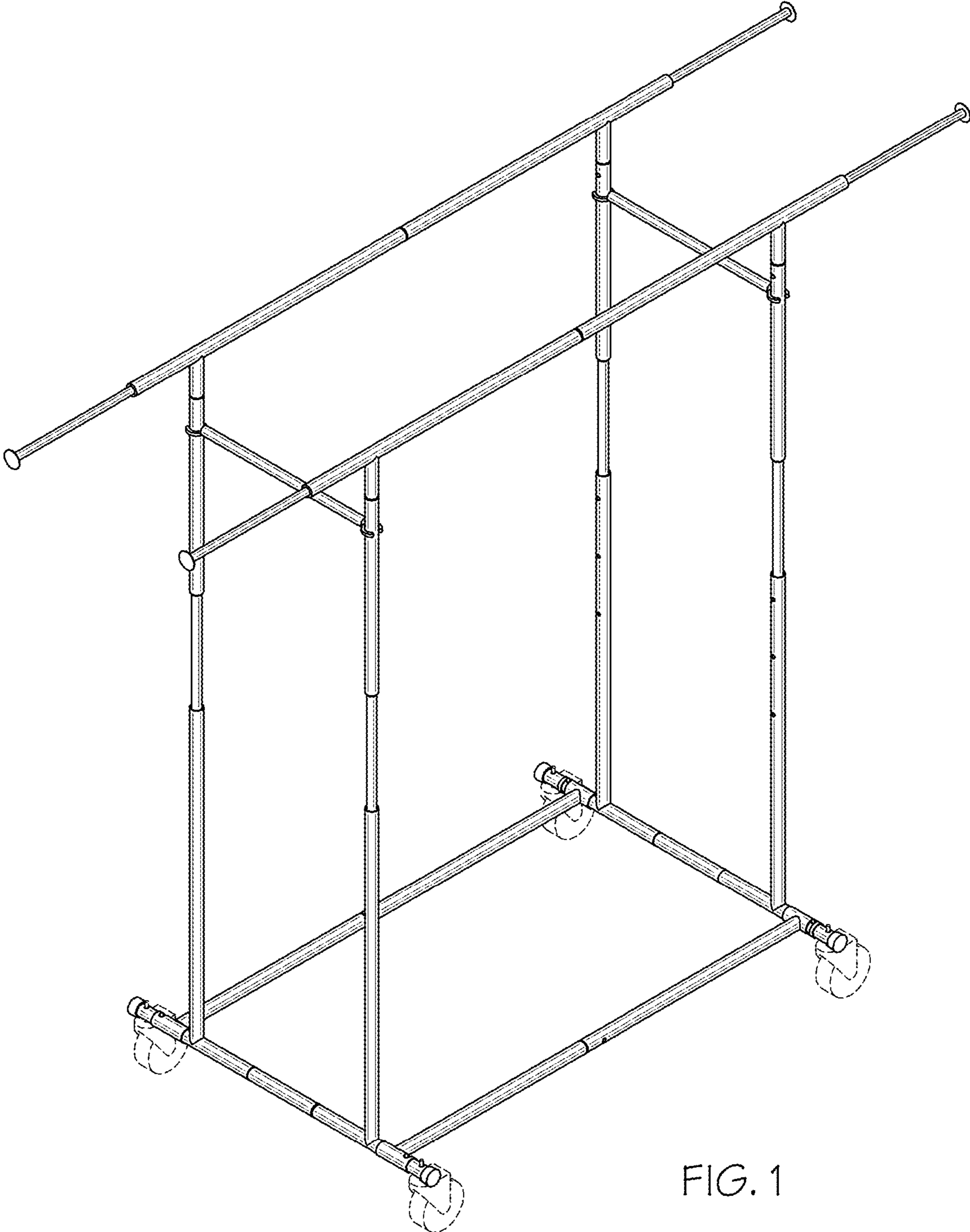
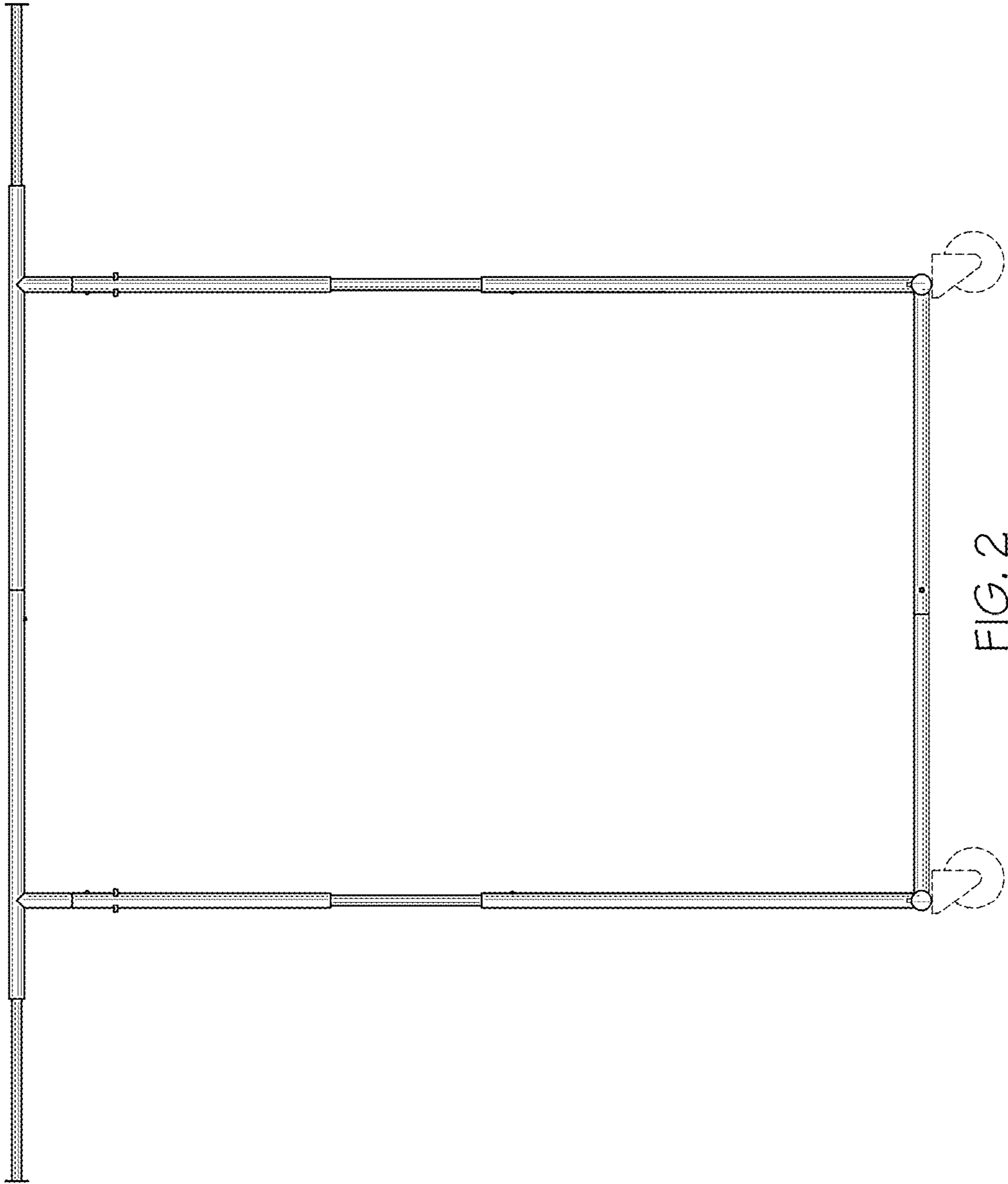


FIG. 1



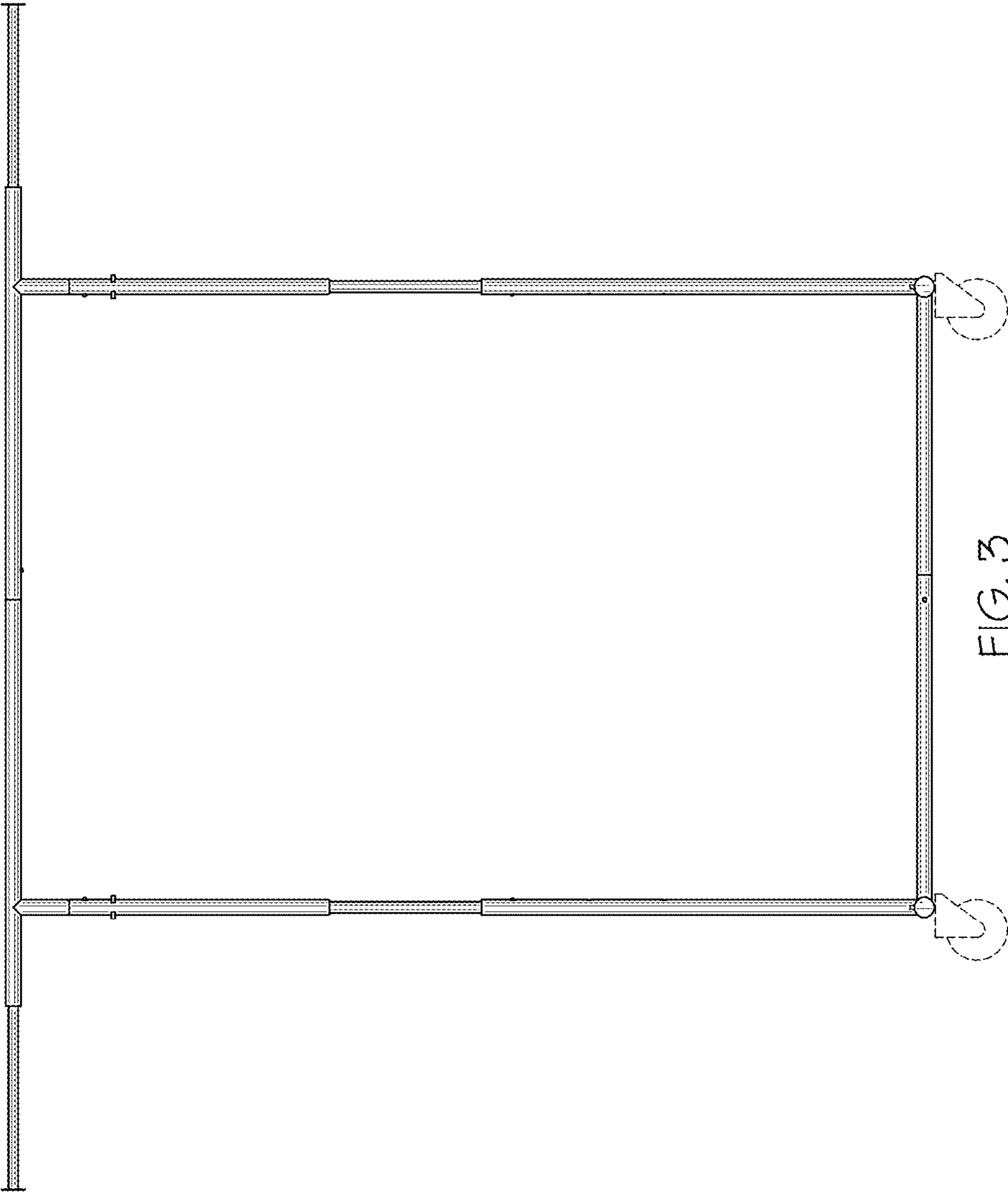


FIG. 3

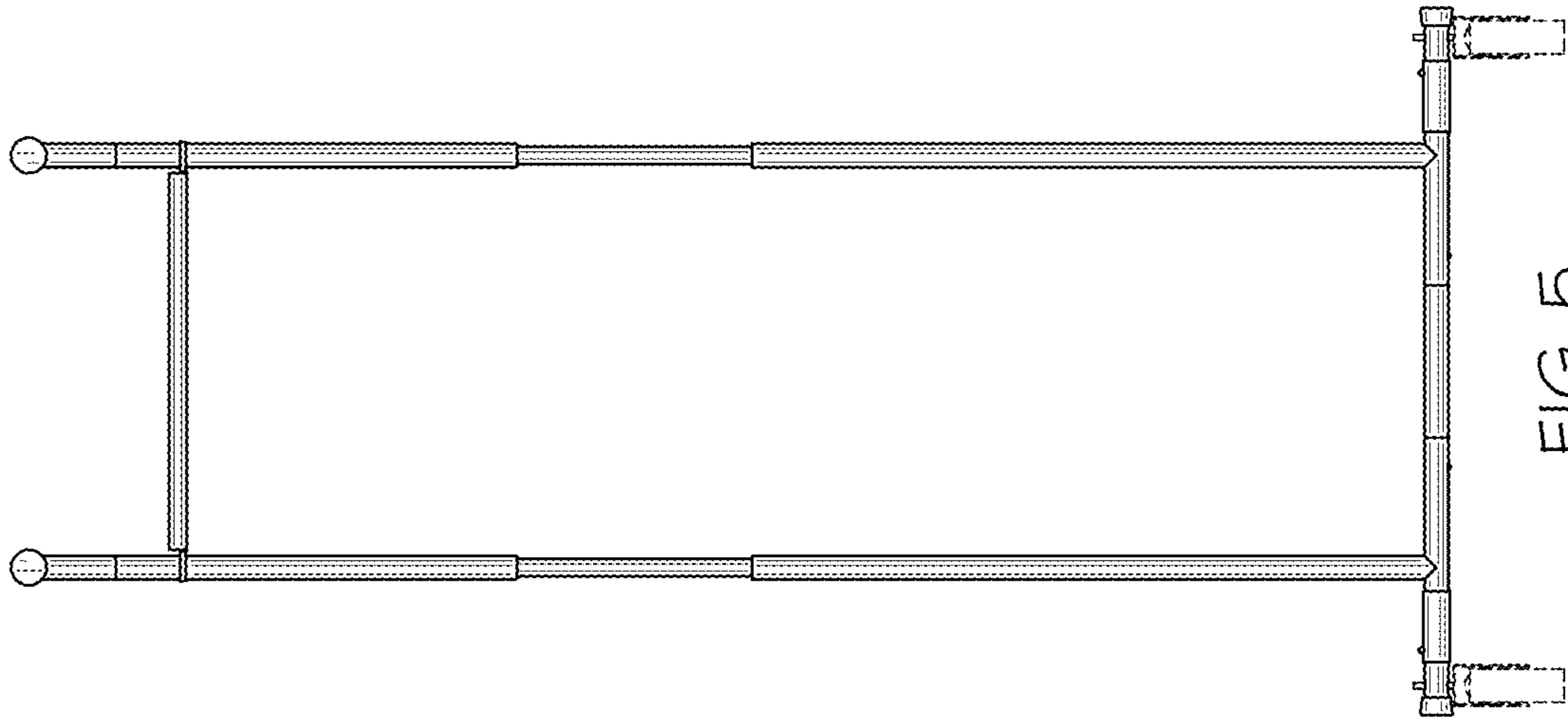


FIG. 5

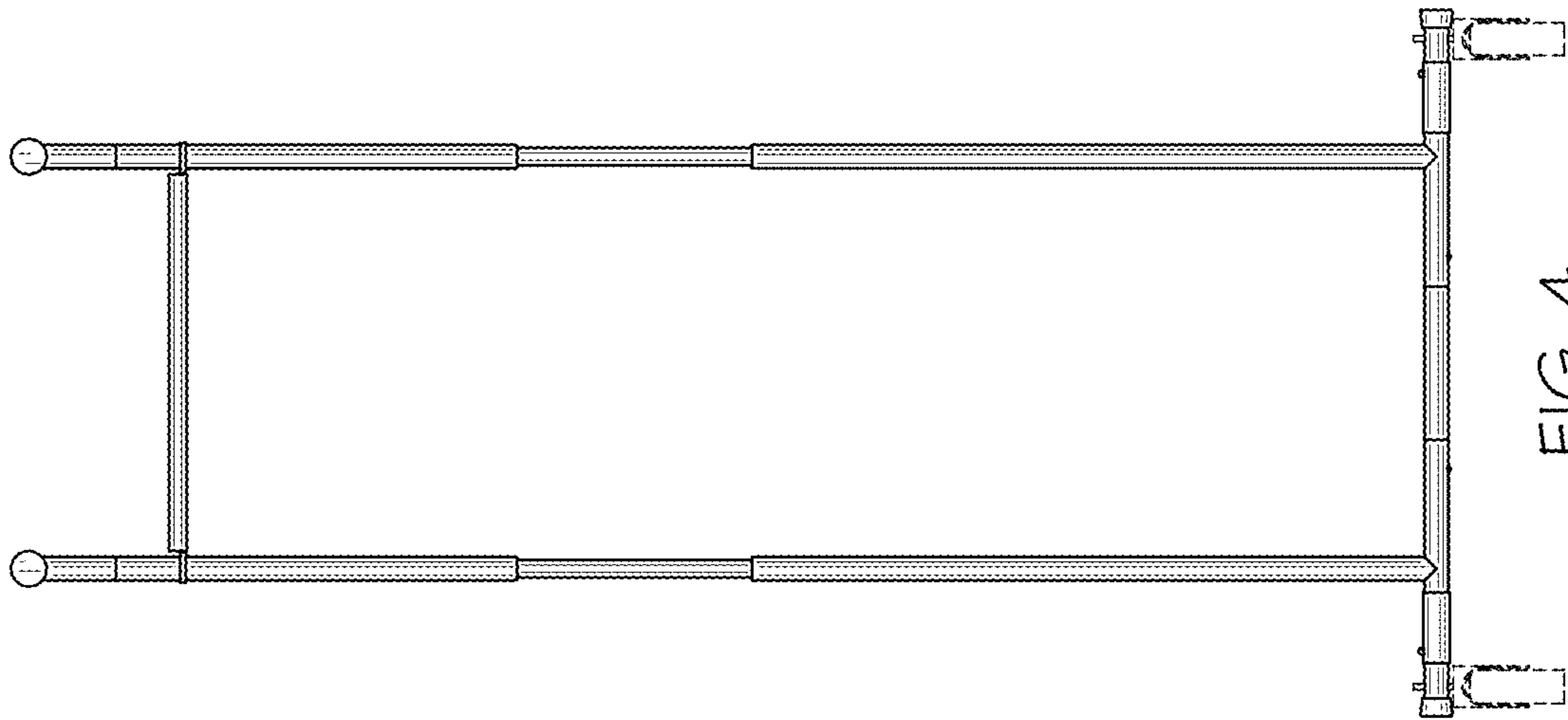


FIG. 4

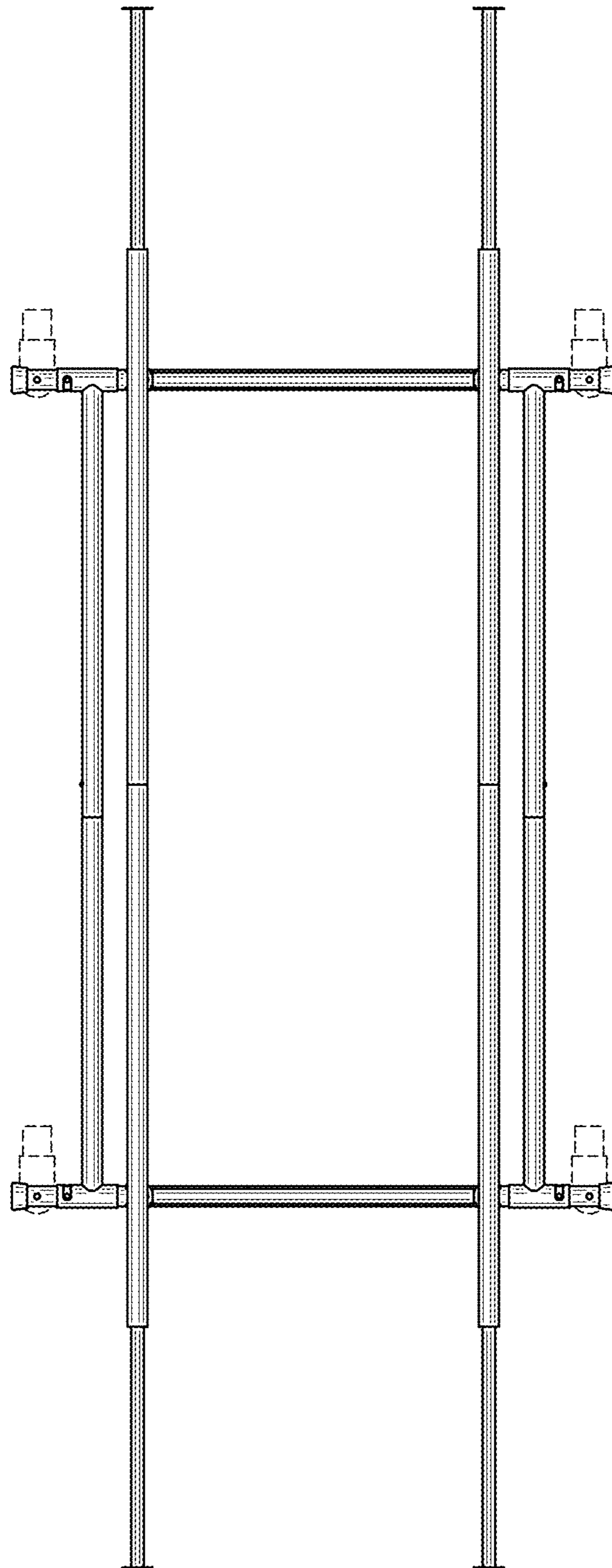


FIG. 6

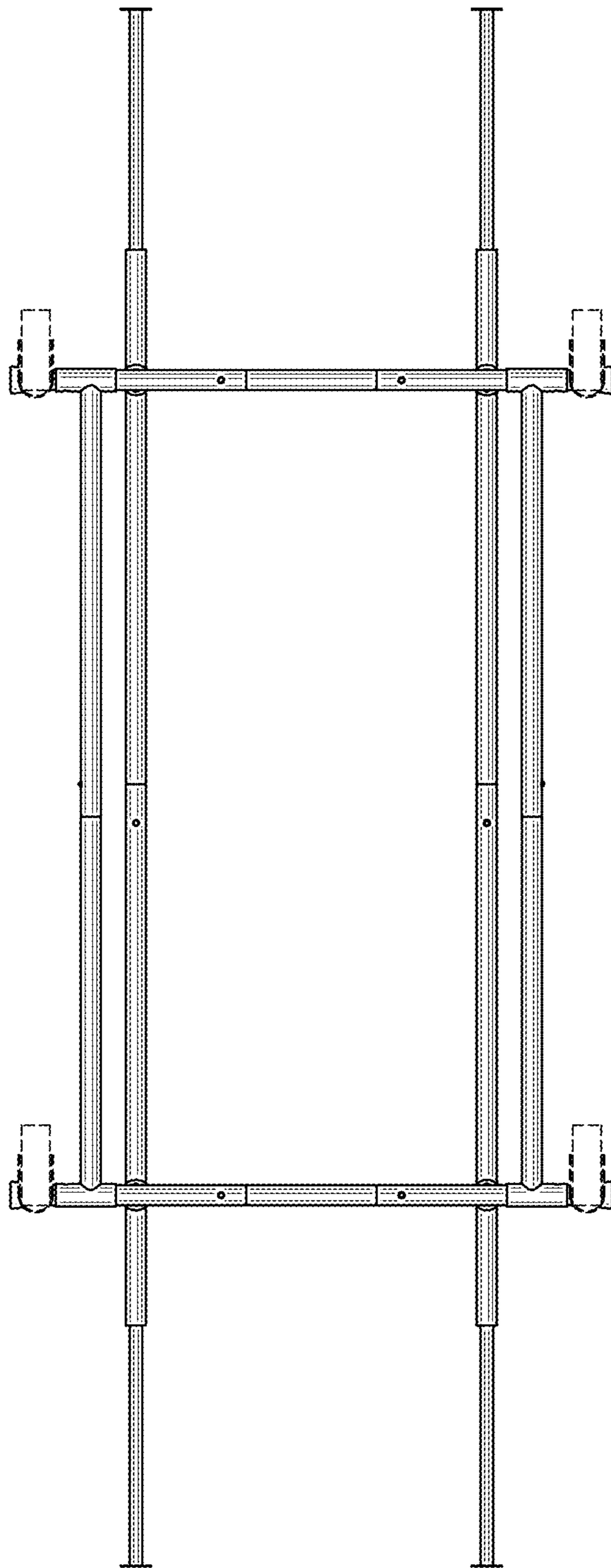


FIG. 7